



US00D751774S

(12) **United States Design Patent**
Allen et al.

(10) **Patent No.:** **US D751,774 S**
(45) **Date of Patent:** **** Mar. 15, 2016**

(54) **AUTOMATIC PET FEEDER**

(71) Applicants: **George Allen**, New Port Richey, FL
(US); **Ann Allen**, New Port Richey, FL
(US)

(72) Inventors: **George Allen**, New Port Richey, FL
(US); **Ann Allen**, New Port Richey, FL
(US)

(**) Term: **14 Years**

(21) Appl. No.: **29/521,147**

(22) Filed: **Mar. 20, 2015**

(51) **LOC (10) Cl.** **30-07**

(52) **U.S. Cl.**
USPC **D30/122**

(58) **Field of Classification Search**
USPC D30/121, 122, 129–133; 119/61.5,
119/51.01, 61.56, 51.03, 59, 62, 63, 51.5,
119/57.8, 74, 61.54, 61.55, 53, 53.5, 75,
119/56.2, 51.02, 51.11, 51.12, 57.1, 52.1,
119/515; 312/204; 248/151, 188;
108/153.1–157; 220/23.87, 630, 737,
220/743, 9.4, 495.01, 574, 212, 255, 23.83;
206/515; D7/586, 543, 550.1, 587,
D7/505, 584, 545, 500, 553.1–553.8, 546,
D7/555, 556, 504, 565, 562, 602, 605, 312,
D7/313, 320, 307, 306, 309, 354, 311, 399,
D7/397, 323, 332, 331, 347, 346, 322, 318,
D7/317, 316, 619.1; D9/429; 43/109;
D22/122; 99/430, DIG. 15, 280, 285,
99/312; 222/209, 131, 363, 349, 517,
222/153.13, 401, 1, 146.5, 23, 54, 64, 51,
222/156, 399, 400.8; 219/438, 439, 441,
219/385, 386, 402, 407; 210/94, 184, 474,
210/477

CPC A01K 5/02; A01K 5/0225; A01K 5/0114;
A01K 5/025; A01K 5/0266; A01K 5/0275;
A01K 5/0283; A01K 5/0291; A01K 5/0258;
A01K 7/00; G01F 11/24; G01F 23/02; B67D
1/0425; B67D 1/04; B67D 1/00; B67D 1/02;
B67D 1/0871; B67D 1/0802; A47J 41/0033;

A47J 41/005; A47J 41/0088; A47J 41/0094;
A47J 31/04; A47J 31/053; B05B 11/00;
B05B 11/0002; B05B 11/0005; B05B 11/001;
C02F 1/003; C02F 1/283; C02F 2307/02
See application file for complete search history.

(56) **References Cited**

U.S. PATENT DOCUMENTS

867,621	A *	10/1907	Tannehill	A01K 39/026
					119/77
905,278	A *	12/1908	Benefiel	A01K 5/0114
					119/51.5
1,571,409	A *	2/1926	Hayes	A01K 39/012
					119/52.1
2,618,237	A *	11/1952	McDermott	A01K 39/026
					119/454
3,085,718	A *	4/1963	Nelson	A47F 1/08
					222/168
3,112,733	A *	12/1963	Arnott	A01K 7/02
					119/77
3,568,893	A *	3/1971	Becker	G01F 11/24
					222/349
3,720,184	A *	3/1973	Pearce	A01K 5/0225
					119/51.5

(Continued)

Primary Examiner — Susan Moon Lee

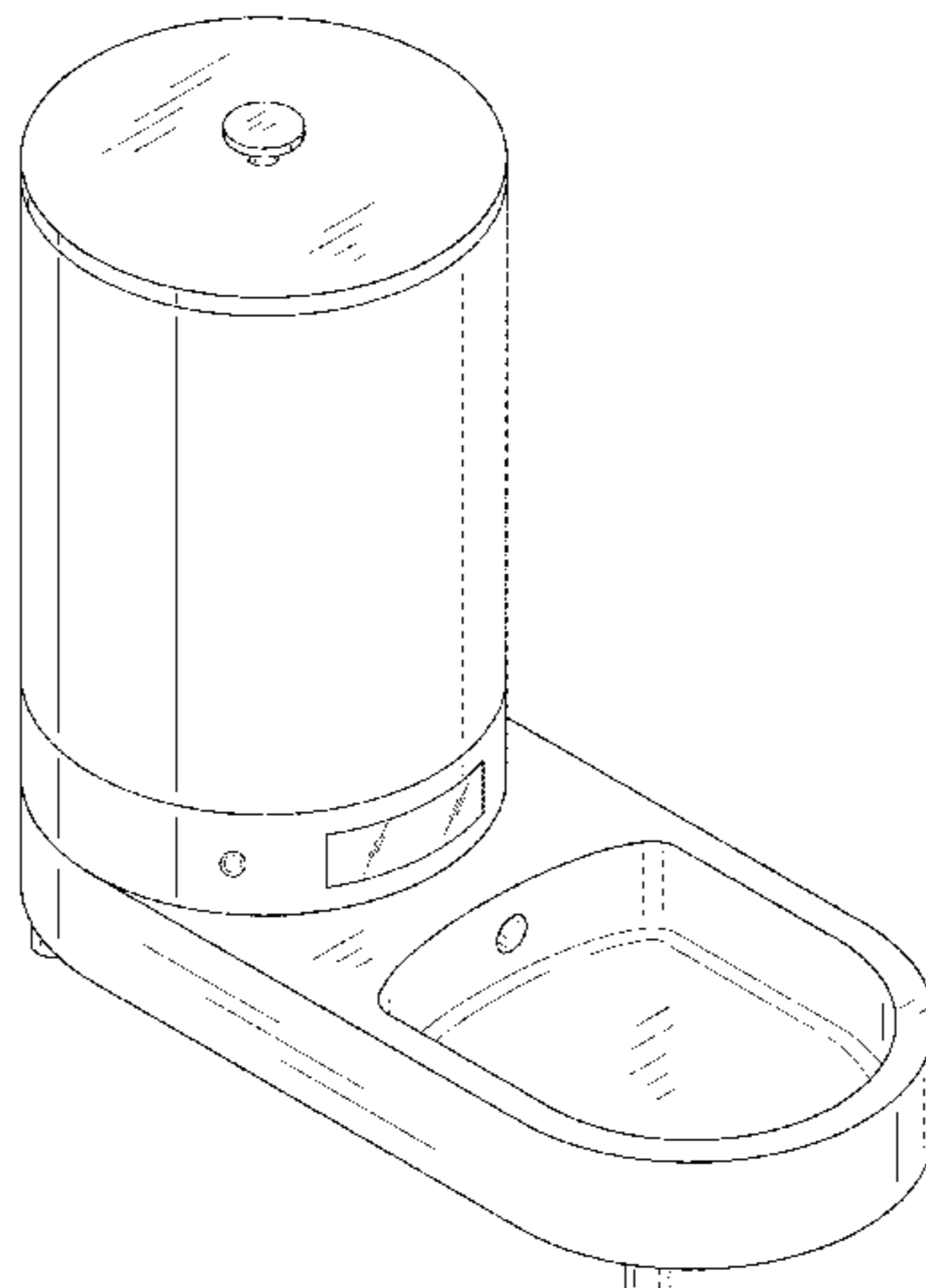
(57) **CLAIM**

The ornamental design for an automatic pet feeder, as shown and described.

DESCRIPTION

FIG. 1 is a left side view of an automatic pet feeder showing my new design;
FIG. 2 is a right side view of the automatic pet feeder;
FIG. 3 is a rear view of the automatic pet feeder;
FIG. 4 is a front view of the automatic pet feeder;
FIG. 5 is a top view of the automatic pet feeder;
FIG. 6 is a bottom view of the automatic pet feeder; and,
FIG. 7 is a top front side perspective view of the automatic pet feeder.

1 Claim, 6 Drawing Sheets



(56)

References Cited

U.S. PATENT DOCUMENTS

D232,847 S * 9/1974 Okubo D30/121
 D233,642 S * 11/1974 Arnold D30/121
 4,034,715 A * 7/1977 Arner A01K 5/0114
 119/51.5
 4,721,063 A * 1/1988 Atchley A01K 5/0114
 119/52.1
 4,840,143 A * 6/1989 Simon A01K 5/0225
 119/52.1
 4,947,796 A * 8/1990 Robinette A01K 5/0216
 119/51.5
 D334,635 S * 4/1993 Wenstrand D30/128
 5,218,926 A * 6/1993 Wenstrand A01K 39/026
 119/77
 D351,689 S * 10/1994 VanSkiver D30/121
 D364,942 S * 12/1995 VanSkiver D30/121
 5,483,923 A 1/1996 Sabbara
 D371,643 S 7/1996 Lillelund et al.
 D374,109 S * 9/1996 Lillelund D30/121
 D374,516 S * 10/1996 Lillelund D30/121
 D383,797 S * 9/1997 Finnegan D30/121
 5,711,248 A * 1/1998 Boyd A01K 7/02
 119/77
 5,799,609 A * 9/1998 Burns A01K 7/00
 119/74
 5,845,600 A * 12/1998 Mendes A01K 7/02
 119/51.5
 D406,926 S * 3/1999 Kolozsvari D30/132
 6,055,932 A * 5/2000 Weber A01K 5/0114
 119/52.1
 6,135,056 A 10/2000 Kuo
 6,142,099 A * 11/2000 Lange, Jr. A01K 5/0142
 119/51.5
 6,467,428 B1 * 10/2002 Andrisin A01K 5/0114
 119/51.5
 6,477,981 B1 * 11/2002 Harper A01K 5/0114
 119/51.01

6,739,284 B1 * 5/2004 Olive A01K 39/02
 119/52.1
 6,789,503 B1 9/2004 Gao
 6,843,205 B1 * 1/2005 Segreto A01K 5/0114
 119/515
 6,863,025 B2 * 3/2005 Ness A01K 7/02
 119/51.5
 6,880,484 B1 * 4/2005 Lee A01G 27/02
 119/74
 6,971,331 B1 * 12/2005 Rohrer A01K 7/02
 119/52.1
 7,040,249 B1 * 5/2006 Mushen A01K 7/005
 119/51.5
 7,146,930 B1 * 12/2006 Ness A01K 7/02
 119/72
 D540,492 S * 4/2007 Gorr D30/131
 7,228,816 B2 6/2007 Turner et al.
 7,284,499 B1 * 10/2007 Kuster A01K 5/0114
 119/51.5
 D612,658 S * 3/2010 Schenk D7/307
 7,895,973 B1 * 3/2011 Whelan A01K 5/025
 119/51.02
 7,913,647 B1 * 3/2011 Martin A01K 5/0114
 119/52.1
 D637,769 S * 5/2011 Weber D30/121
 D664,304 S 7/2012 Whelan
 8,336,493 B1 * 12/2012 Weber 119/52.1
 D678,624 S * 3/2013 Willett D30/121
 D682,484 S * 5/2013 Selman D30/121
 8,555,814 B2 * 10/2013 Parks A01K 5/0114
 119/51.01
 D703,392 S 4/2014 Desberg
 8,701,595 B2 4/2014 Jin et al.
 2010/0122660 A1 * 5/2010 Willett A01K 7/00
 119/51.5
 2011/0197819 A1 * 8/2011 Montgomery A01K 5/0225
 119/51.11
 2013/0269620 A1 * 10/2013 Qiu A01K 5/0135
 119/56.1

* cited by examiner

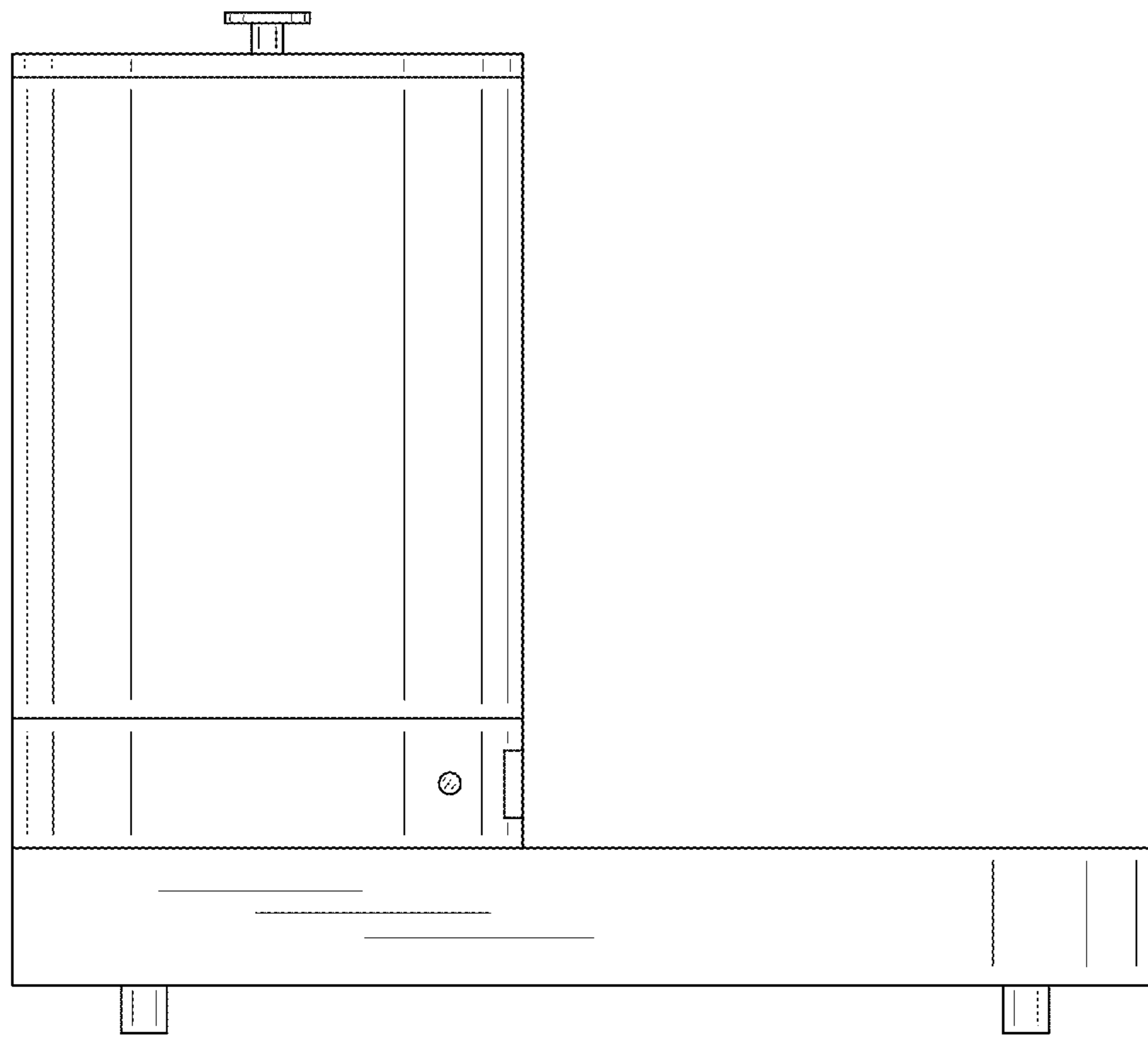


FIG. 1

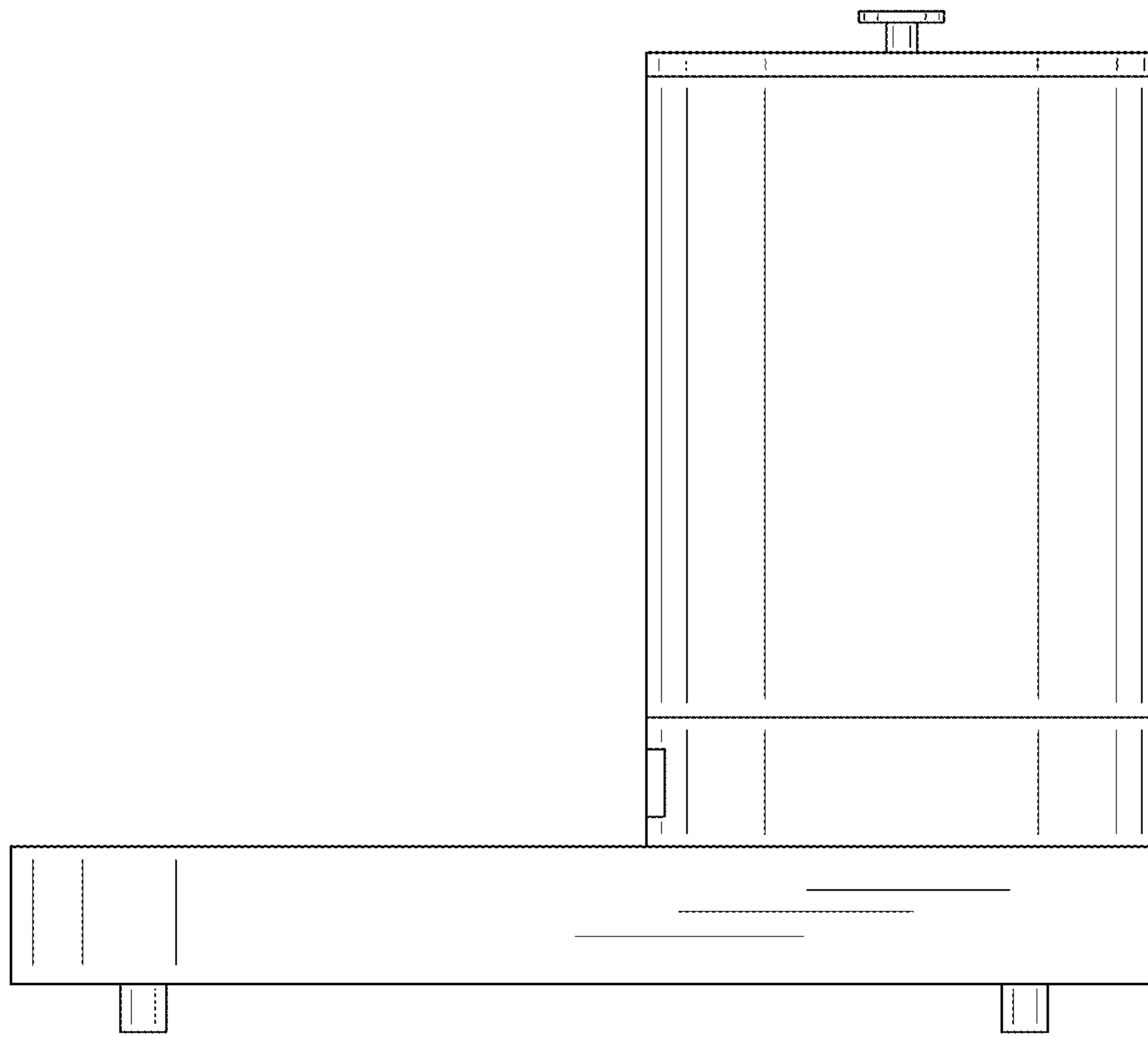


FIG. 2

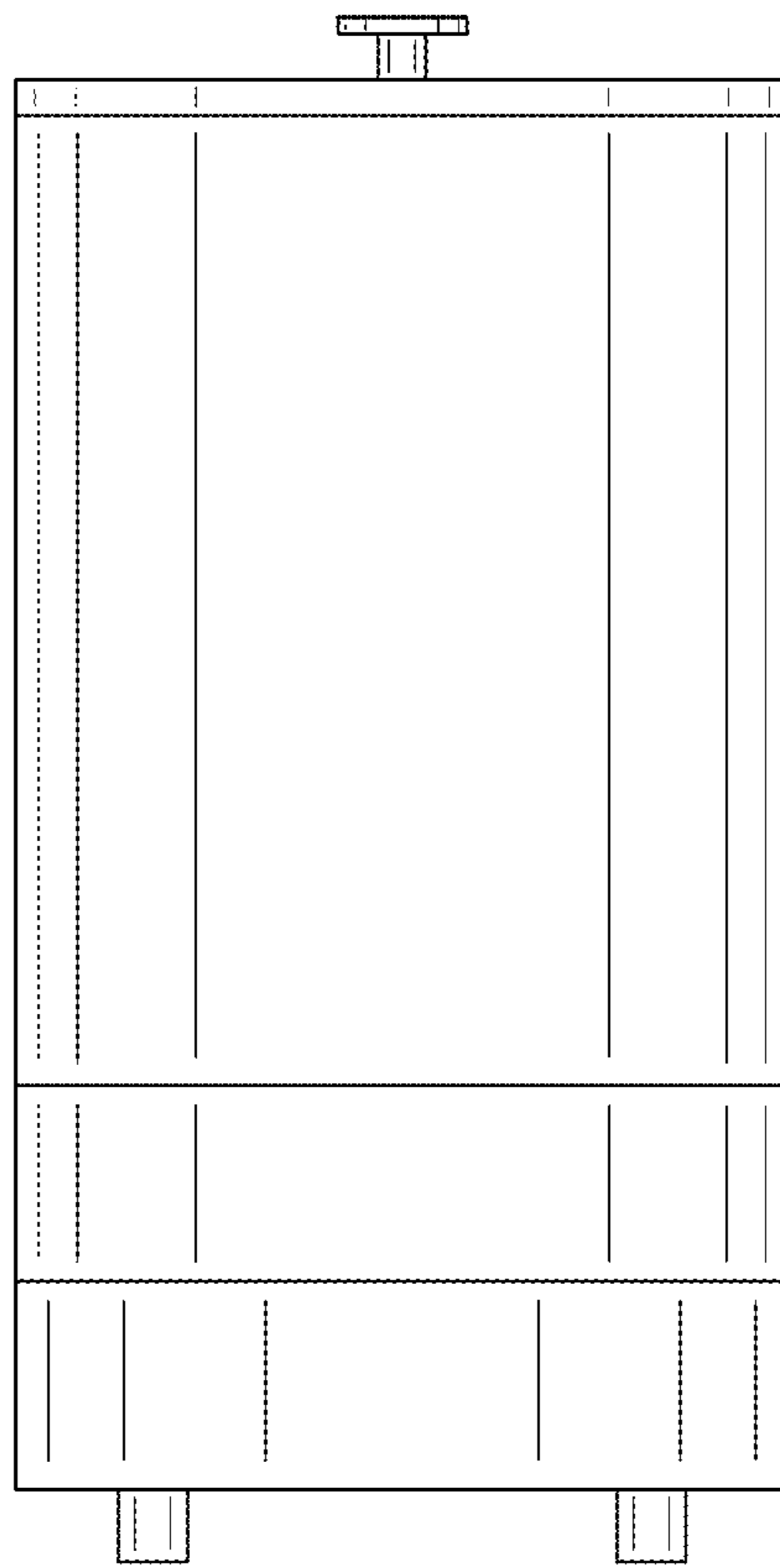


FIG. 3

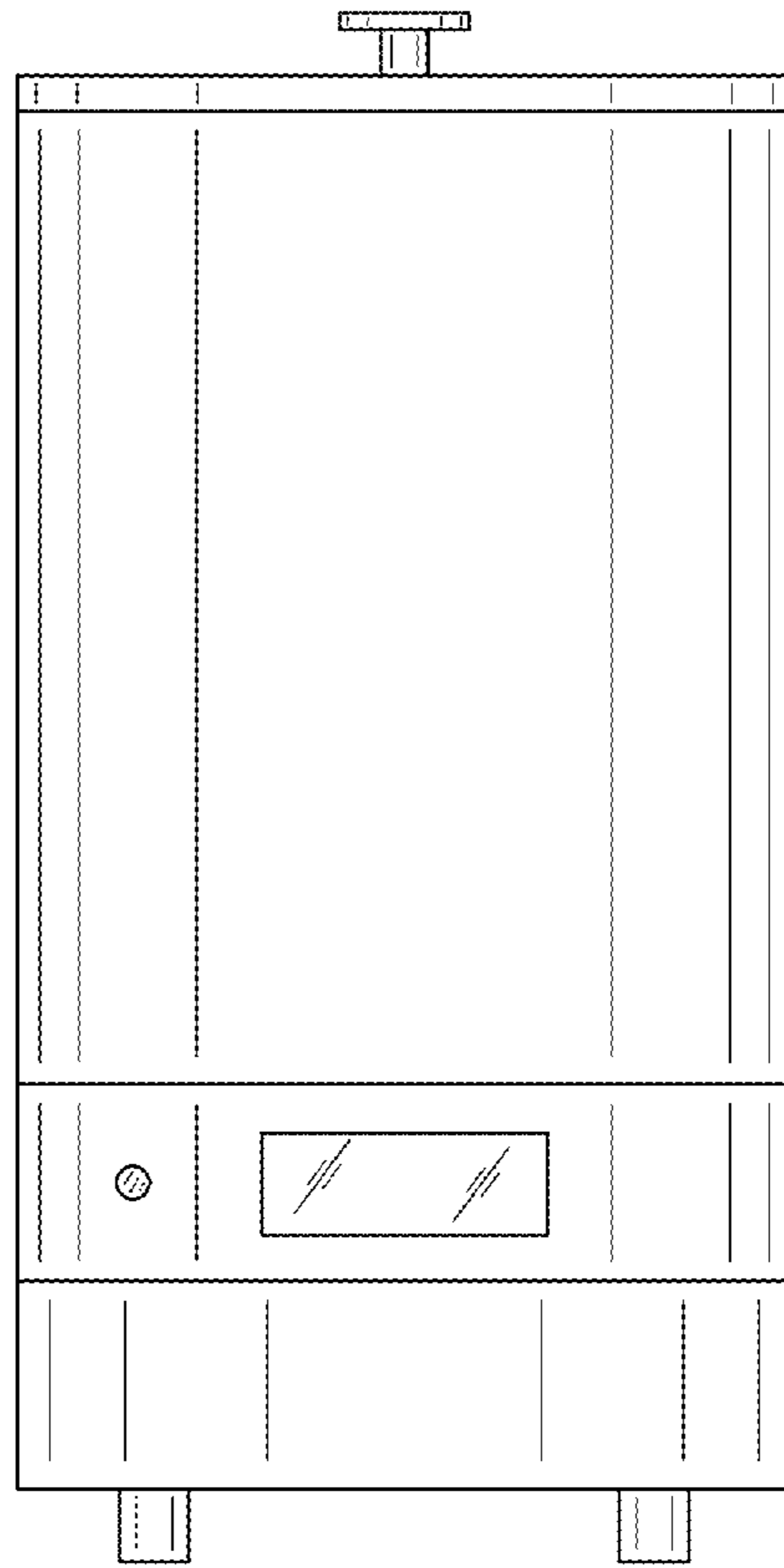


FIG. 4

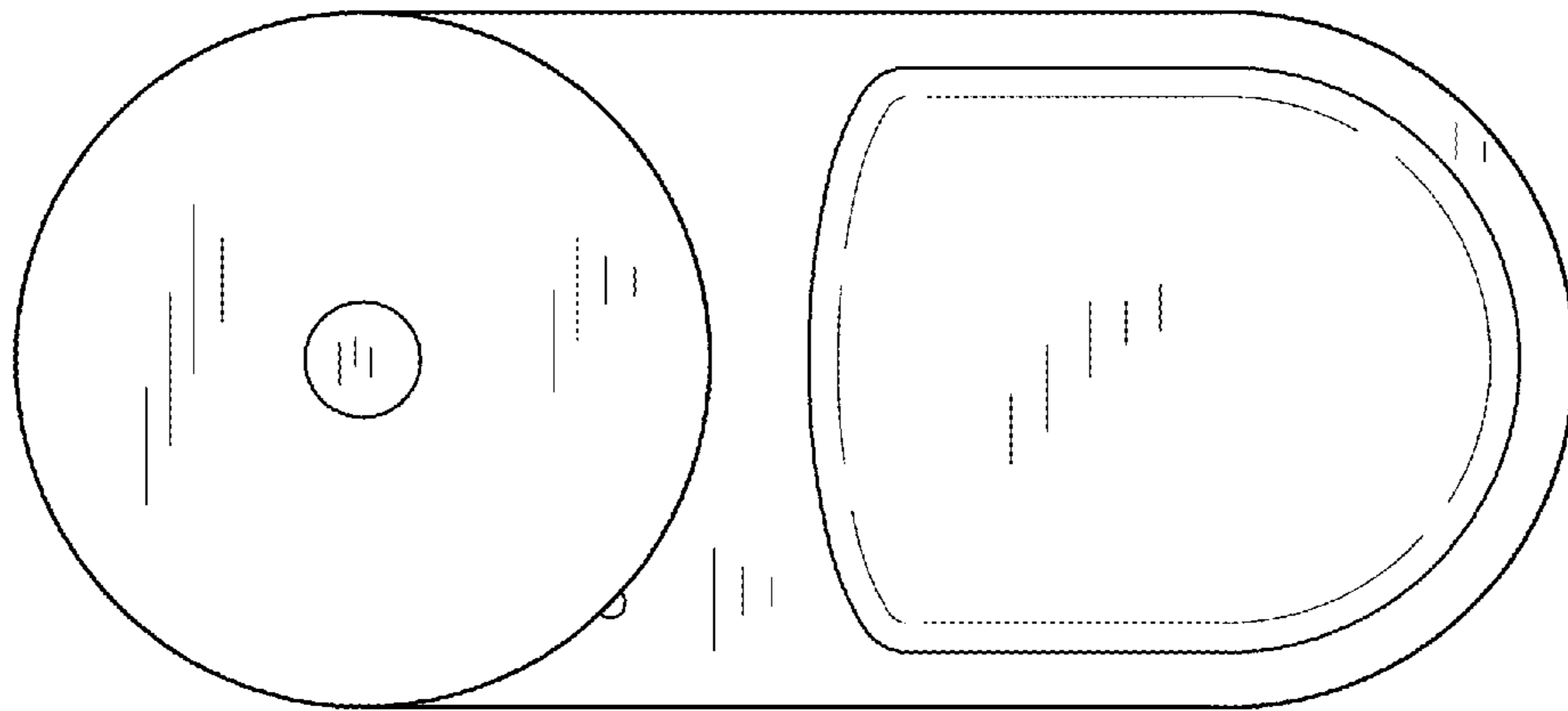


FIG. 5

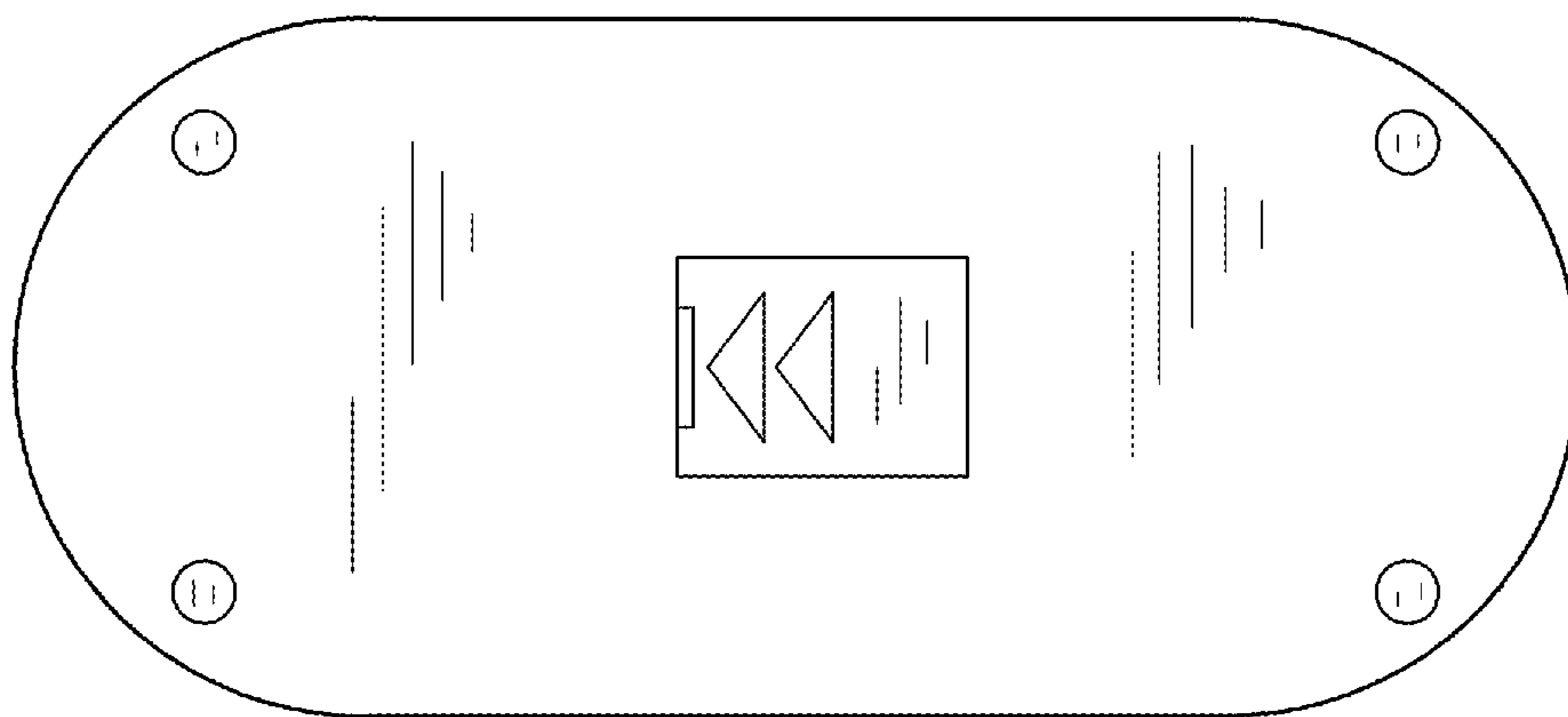


FIG. 6

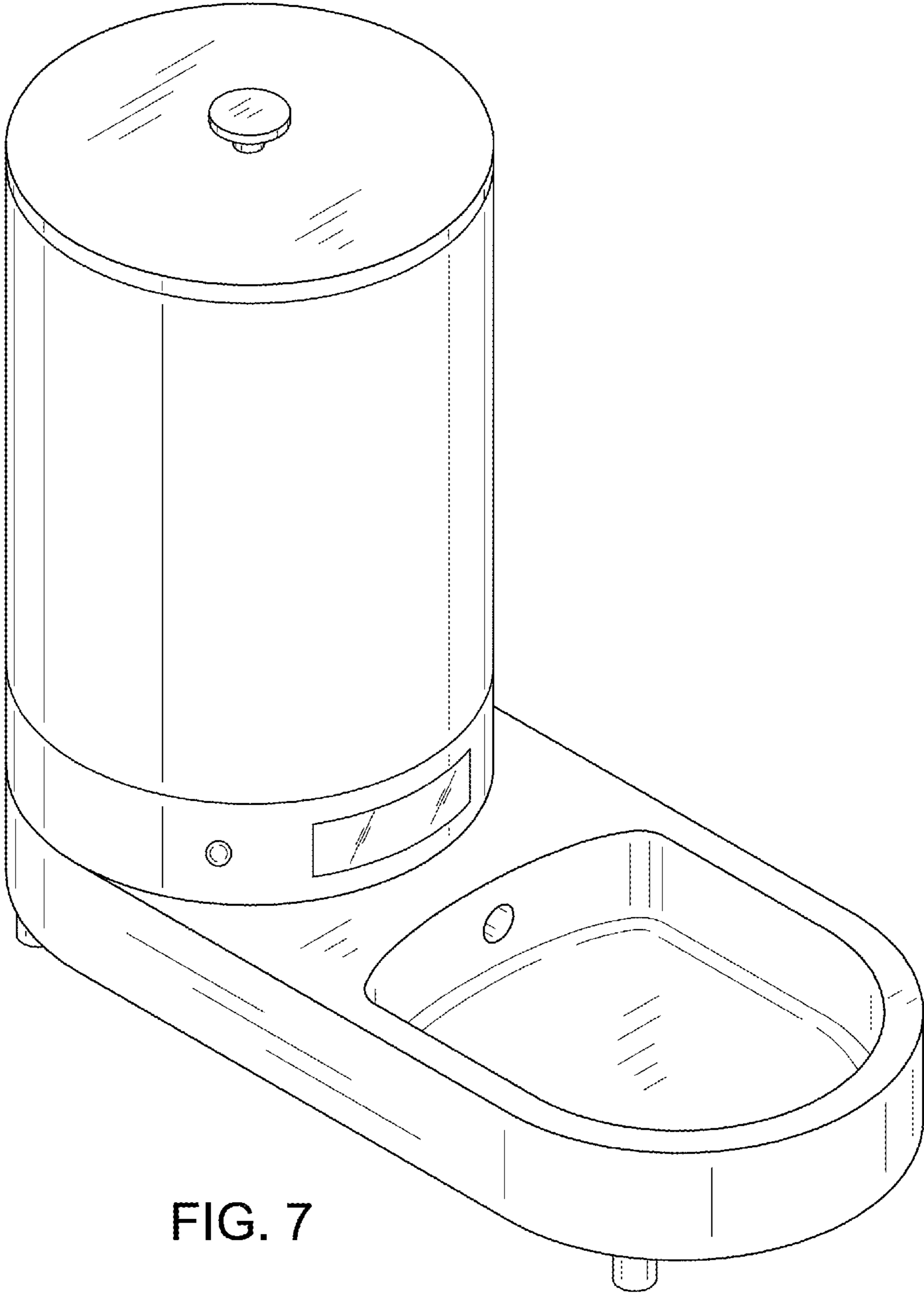


FIG. 7