



US00D751772S

(12) **United States Design Patent**
Allen et al.

(10) **Patent No.:** **US D751,772 S**
(45) **Date of Patent:** **** Mar. 15, 2016**

- (54) **FISH TANK**
- (71) Applicant: **Elive LLC**, Muskego, WI (US)
- (72) Inventors: **Matthew Allen**, Waterford, WI (US);
Thomas Lutz, Cedar Rapids, IA (US)
- (73) Assignee: **ELIVE LLC**, Muskego, WI (US)
- (**) Term: **15 Years**
- (21) Appl. No.: **29/535,910**
- (22) Filed: **Aug. 11, 2015**

Related U.S. Application Data

- (62) Division of application No. 29/469,747, filed on Oct. 14, 2013, now Pat. No. Des. 738,578.
- (51) **LOC (10) Cl.** **30-02**
- (52) **U.S. Cl.**
USPC **D30/106**
- (58) **Field of Classification Search**
USPC D30/101–107; 119/245–248, 250–251,
119/253, 269
CPC A01K 63/003; A01K 63/006; A01K 63/00
See application file for complete search history.

(56) **References Cited**

U.S. PATENT DOCUMENTS

- 3,576,426 A * 4/1971 Sesholtz A01K 63/065
119/245
- D299,565 S * 1/1989 Lee Hsu D30/102
- 5,040,489 A 8/1991 Drake

- D324,590 S 3/1992 Pixler
- 5,282,438 A 2/1994 McLaughlin
- 5,775,260 A 7/1998 Jansen
- 5,906,176 A 5/1999 Pei
- 5,957,084 A * 9/1999 Knepp A01K 63/006
119/245
- 7,243,613 B2 7/2007 Holms et al.
- 8,113,147 B1 2/2012 Wang
- 2008/0316732 A1 12/2008 Blake
- 2015/0000607 A1 1/2015 Reid et al.
- 2015/0101540 A1 * 4/2015 Allen A01K 63/003
119/247

* cited by examiner

Primary Examiner — Wan Laymon

(74) *Attorney, Agent, or Firm* — Michael Best & Friedrich LLP

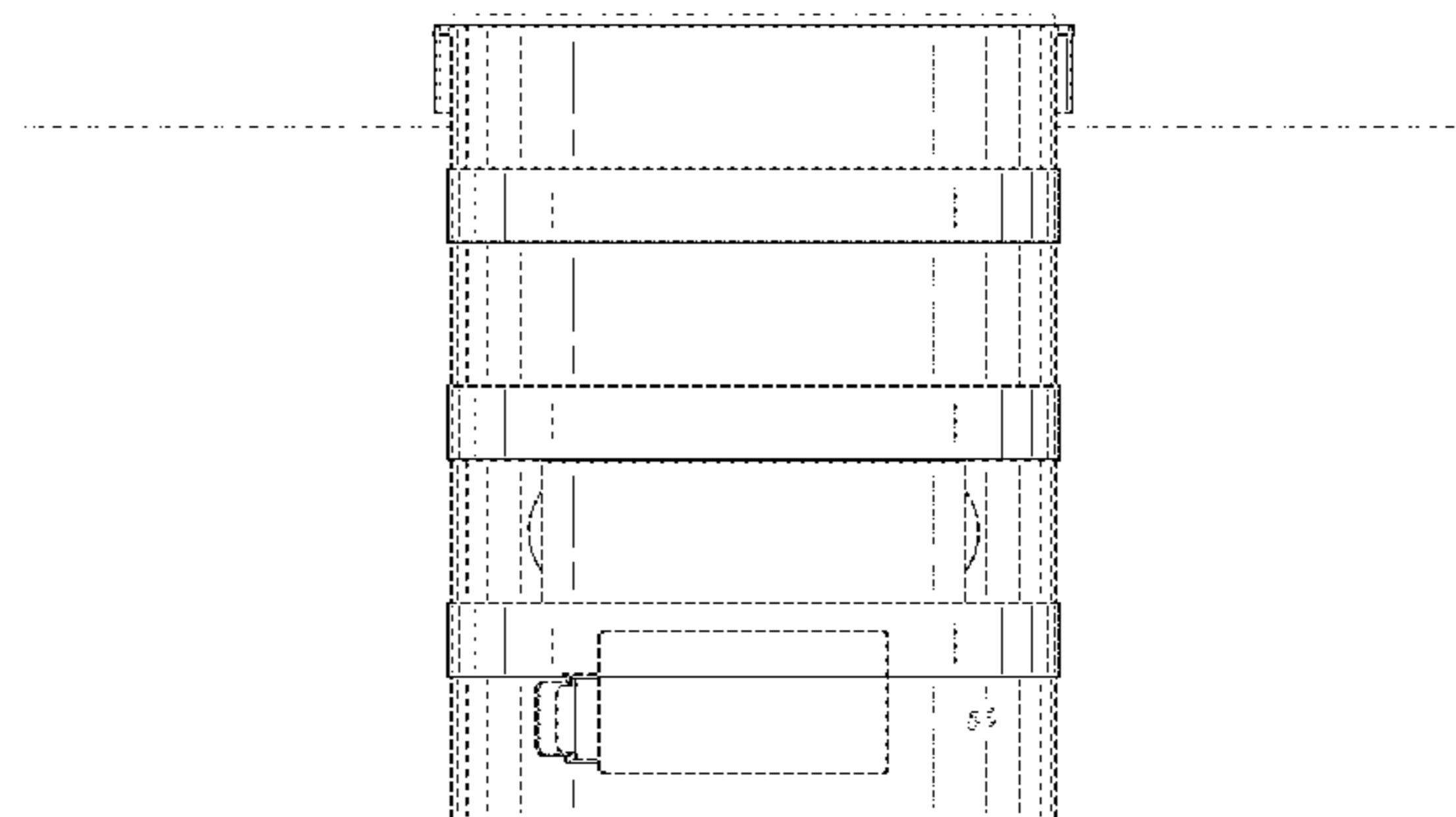
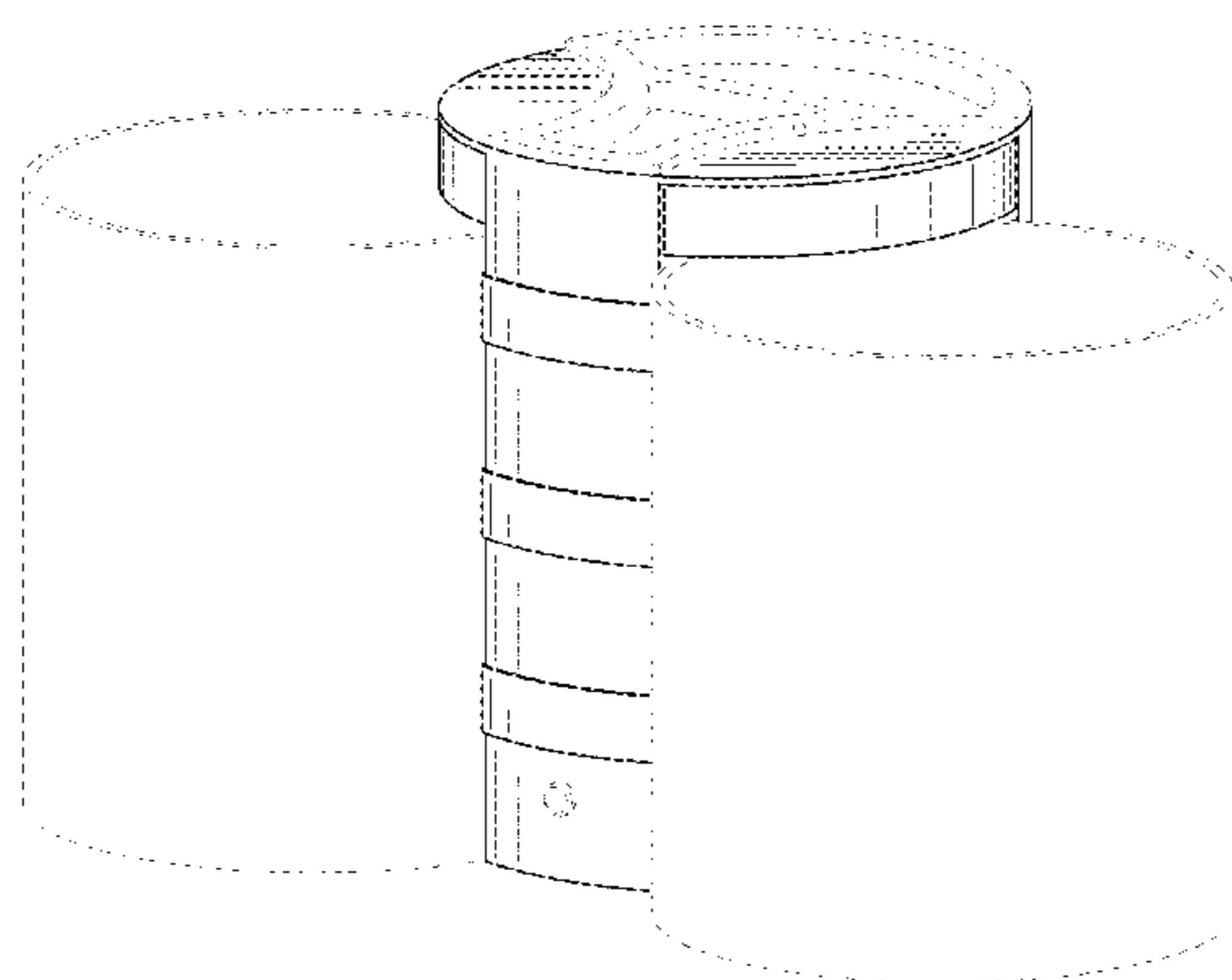
(57) **CLAIM**

We claim the ornamental design for a fish tank, as shown and described.

DESCRIPTION

FIG. 1 is a top, front, left side perspective view of an embodiment of a fish tank.
 FIG. 2 is a left side view of the fish tank shown in FIG. 1.
 FIG. 3 is a right side view of the fish tank shown in FIG. 1.
 FIG. 4 is a front side view of the fish tank shown in FIG. 1.
 FIG. 5 is a back side view of the fish tank shown in FIG. 1.
 FIG. 6 is a top side view of the fish tank shown in FIG. 1; and,
 FIG. 7 is a bottom side view of the fish tank shown in FIG. 1.
 The elements shown in broken lines are included for the purpose of illustrating environment and form no part of the claimed design.

1 Claim, 7 Drawing Sheets



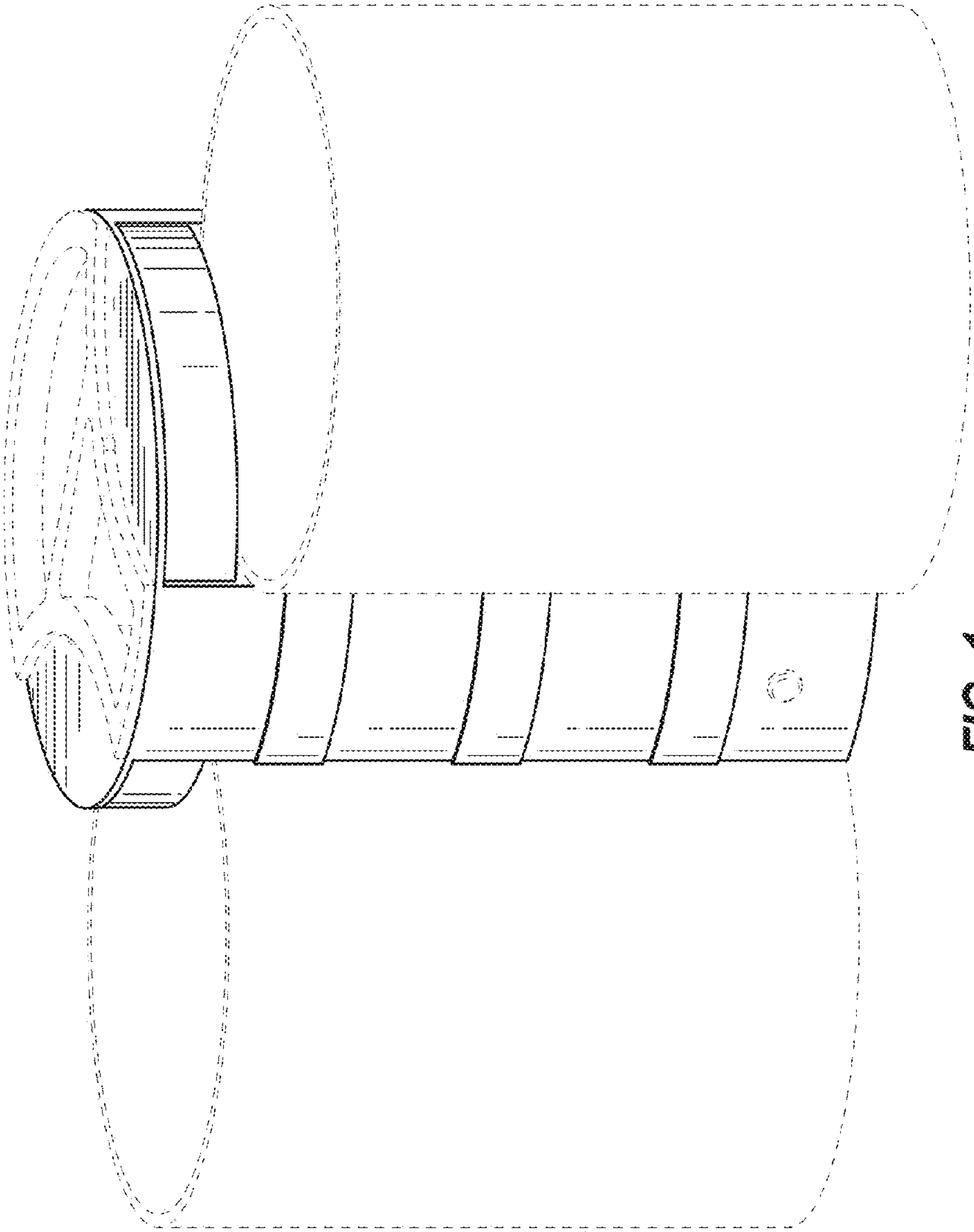


FIG. 1

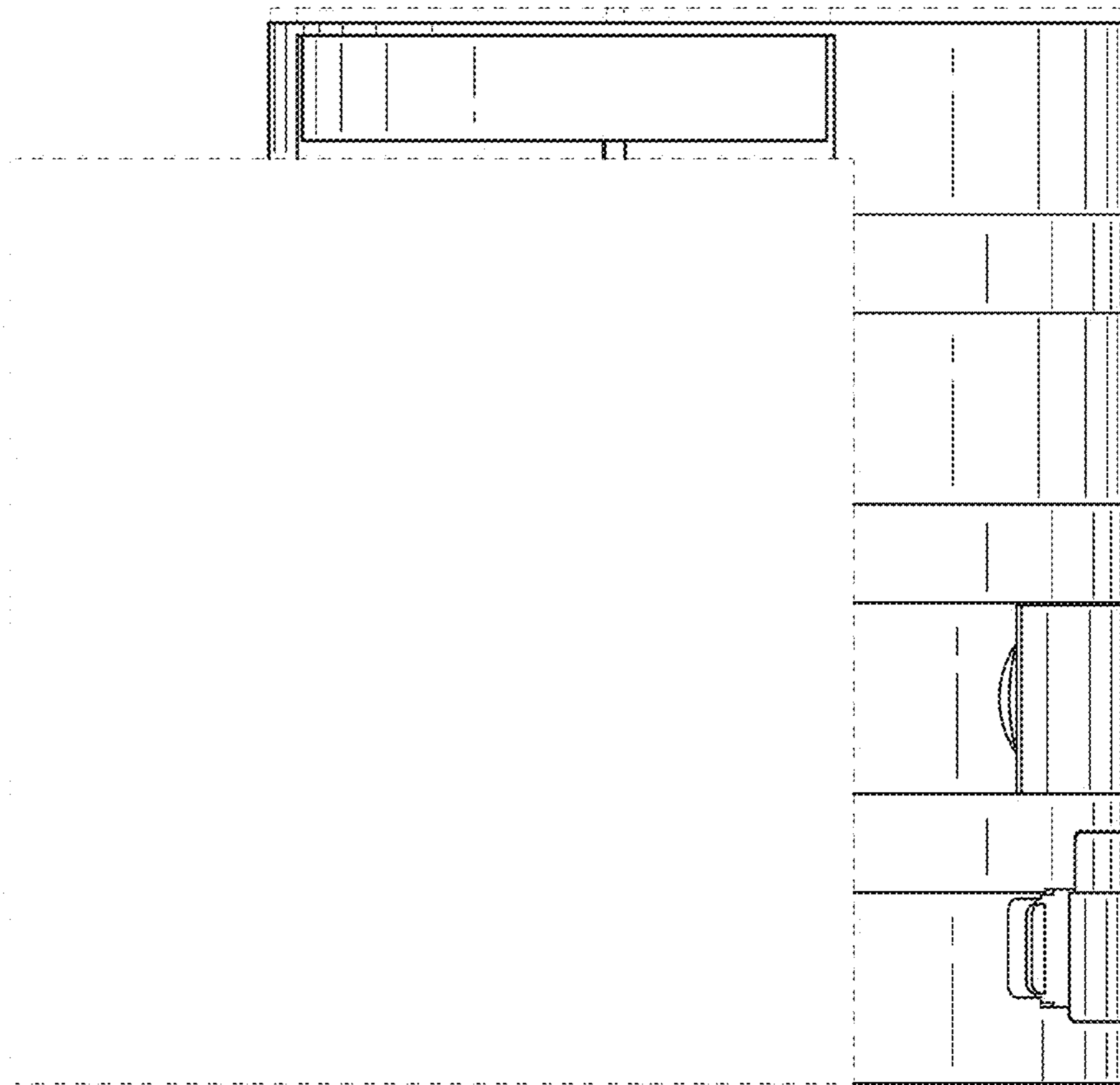


FIG. 2

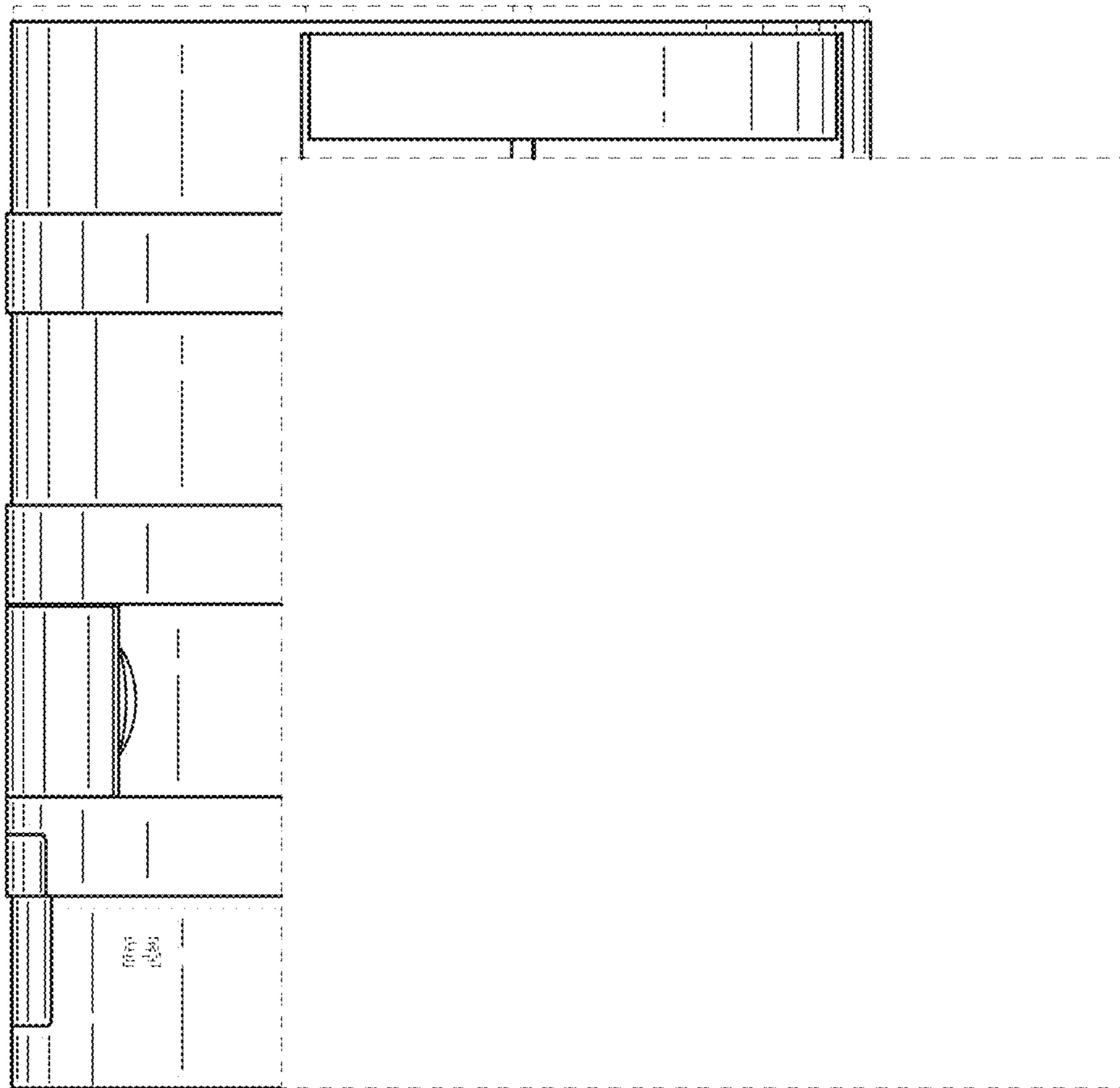


FIG. 3

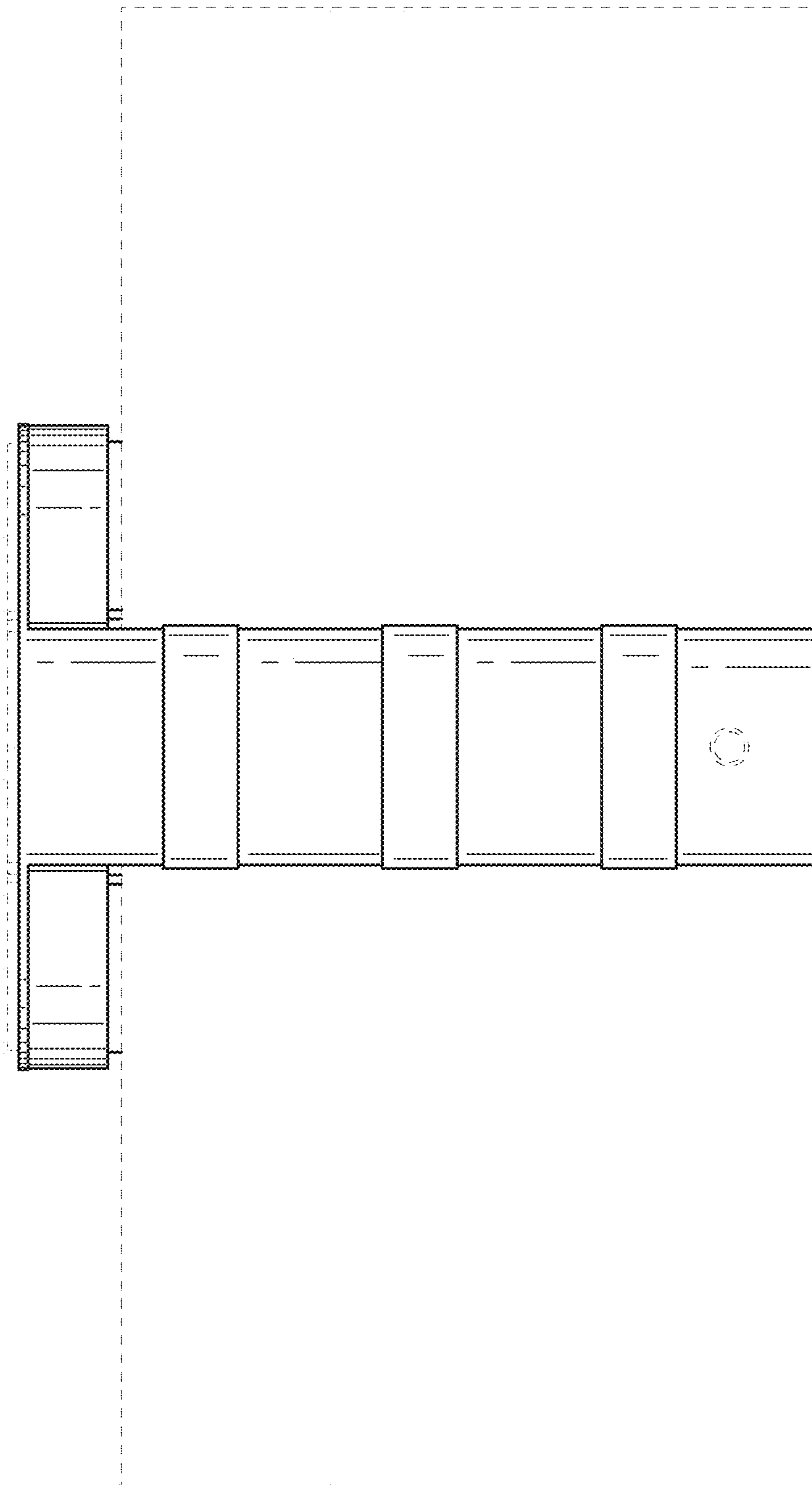


FIG. 4

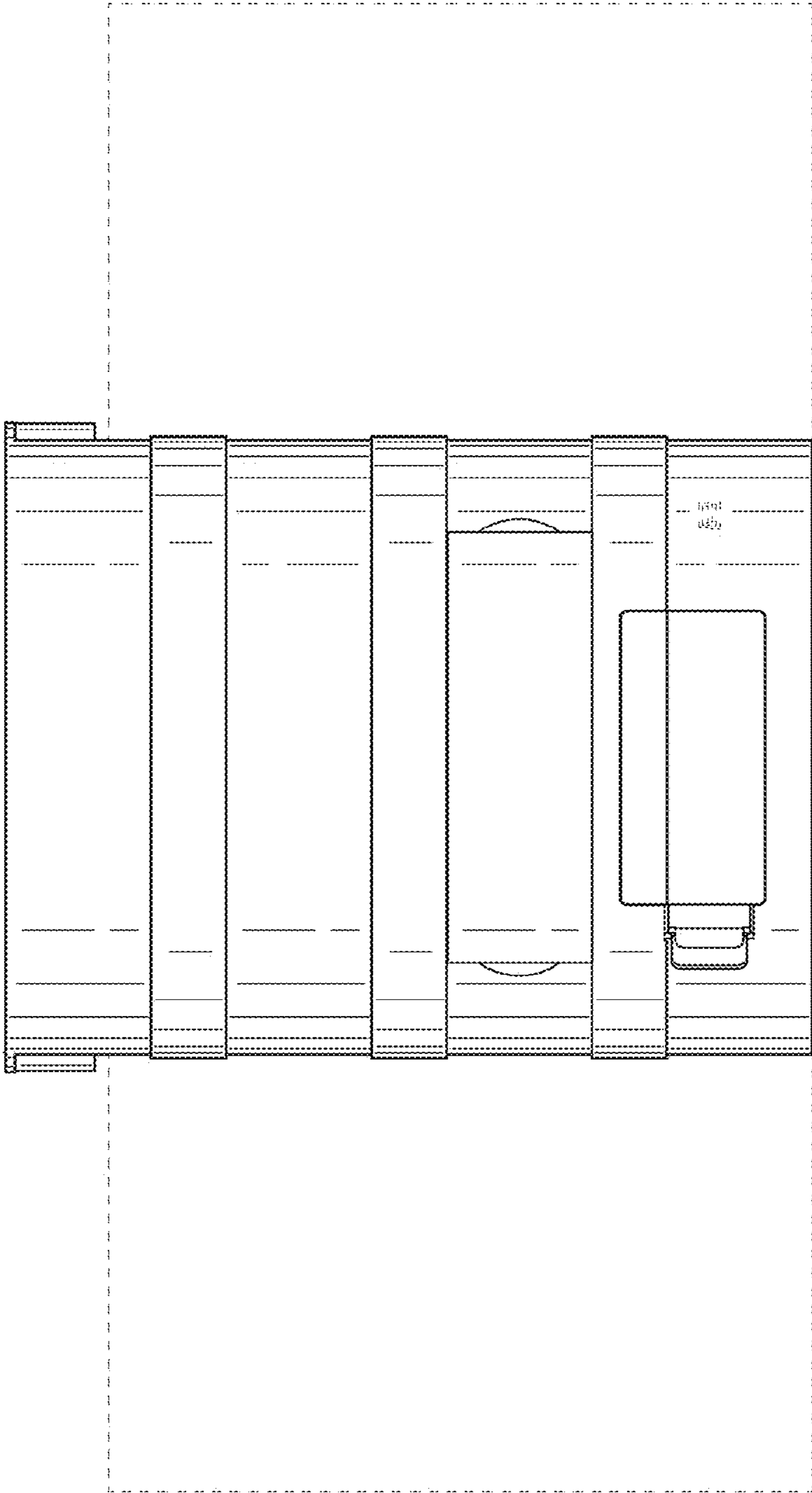


FIG. 5

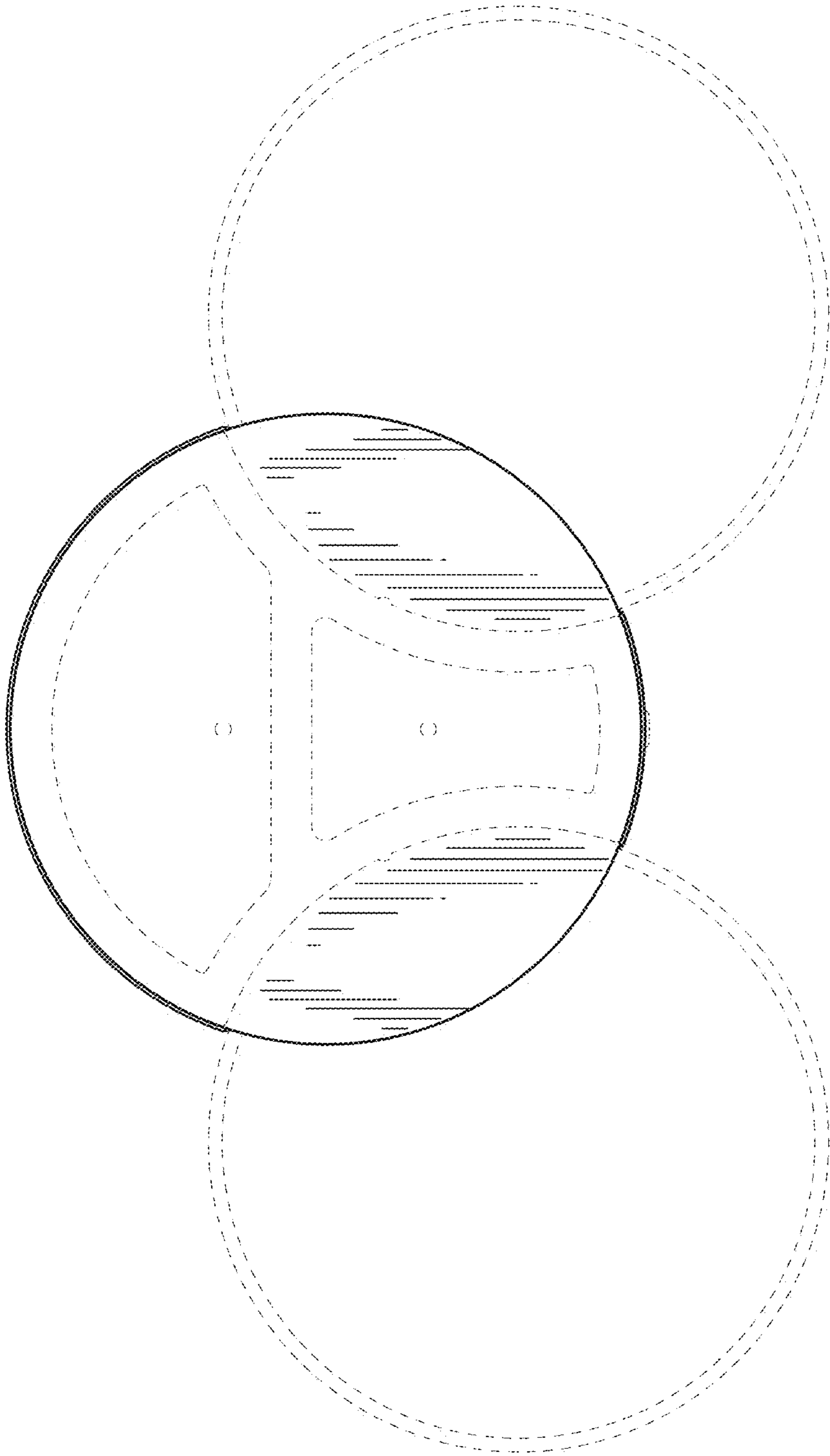


FIG. 6

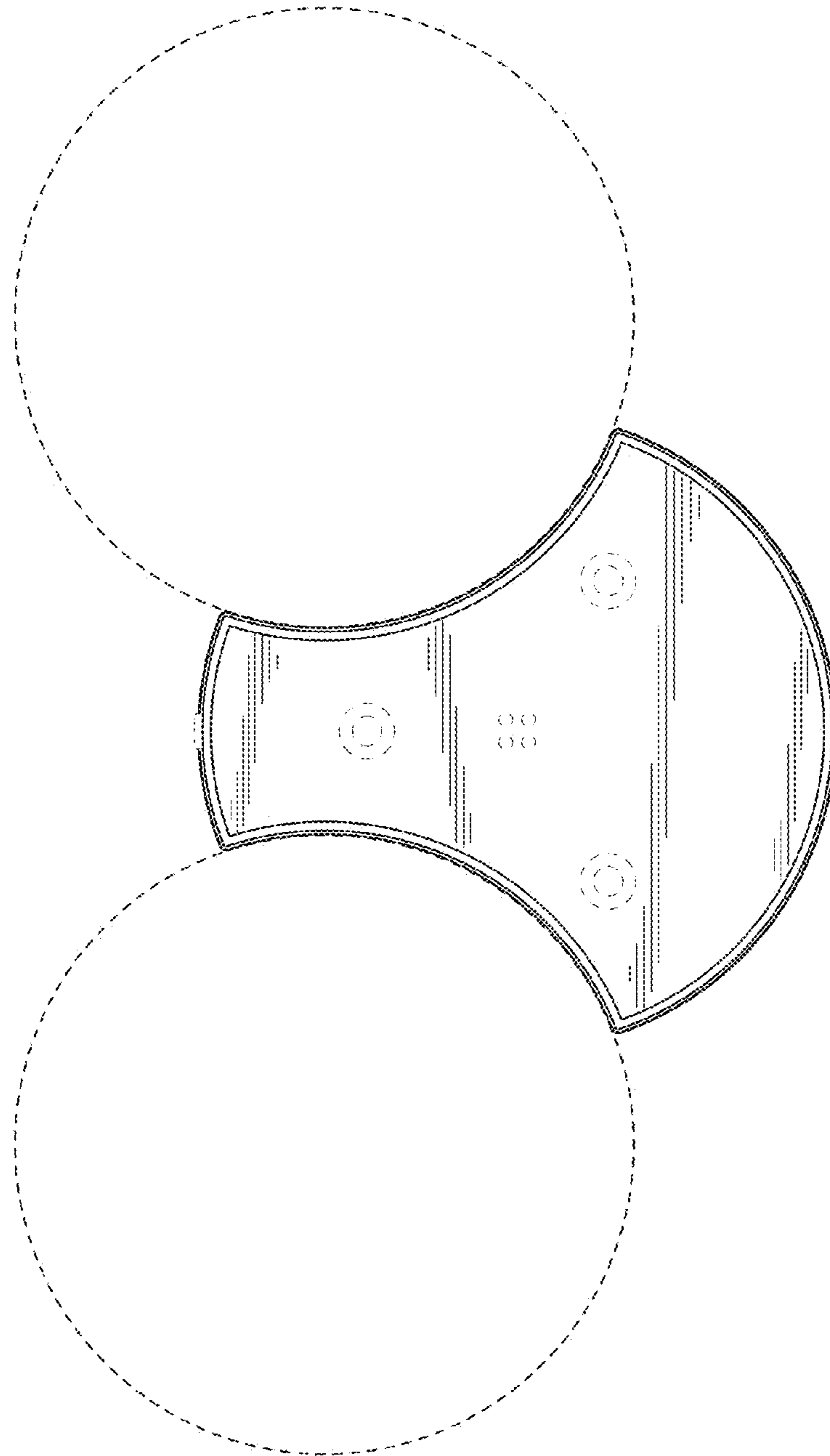


FIG. 7