



US00D751771S

(12) **United States Design Patent**  
**Hunter et al.**

(10) **Patent No.:** **US D751,771 S**  
(45) **Date of Patent:** **\*\* Mar. 15, 2016**

(54) **GLOVE**

(71) Applicants: **Jeffrey Thomas Hunter**, Los Angeles, CA (US); **Kristina Dolores Coker**, Los Angeles, CA (US)

(72) Inventors: **Jeffrey Thomas Hunter**, Los Angeles, CA (US); **Kristina Dolores Coker**, Los Angeles, CA (US)

(\*\*) Term: **14 Years**

(21) Appl. No.: **29/495,990**

(22) Filed: **Jul. 8, 2014**

(51) **LOC (10) Cl.** ..... **02-06**

(52) **U.S. Cl.**  
USPC ..... **D29/117.1**

(58) **Field of Classification Search**  
USPC ..... D29/113, 114, 116.1, 116.2, 117.1, D29/117.2, 118, 119, 120.1, 122, 123; D3/215, 269, 270, 271.1, 271.4, 271.9; D2/610-623; D7/669; D28/63; 2/158-160, 161.1-161.8, 162-170, 2/16-21, 907, 910, 917; 401/6-8; 446/327, 328; 223/78-80; D30/158; D24/190, 200, 214; 119/611; D32/40-43; D21/807; D20/33  
CPC ..... A63B 71/141; A63B 21/1438; A63B 2209/10; A63B 2244/09; A63B 71/148; A63B 21/06; A63B 21/1442; A63B 21/1469; A41D 13/088; A41D 13/082; A41D 13/081; A41D 19/0048; A41D 19/01582; A41F 1/06; Y10S 2/91

See application file for complete search history.

(56) **References Cited**

**U.S. PATENT DOCUMENTS**

RE32,566 E \* 12/1987 Patton, Jr. .... A41D 13/088  
2/16

D320,872 S \* 10/1991 McCrane ..... D29/113

5,079,776 A \* 1/1992 Crawford ..... A63B 71/141  
2/162

5,353,440 A \* 10/1994 Meldeau ..... A41D 19/01547  
2/161.1

5,479,660 A \* 1/1996 Najac ..... A41D 13/082  
2/161.1

D368,351 S \* 4/1996 Yewer, Jr. .... D29/113

5,600,849 A \* 2/1997 Hu ..... A41D 13/088  
2/16

5,600,853 A \* 2/1997 Yewer, Jr. .... A41D 13/082  
2/161.1

D380,874 S \* 7/1997 Caswell ..... D2/617

D387,503 S \* 12/1997 Ho ..... D2/610

5,781,928 A \* 7/1998 Avila ..... A41D 13/081  
2/159

5,933,868 A \* 8/1999 Bender ..... A41D 13/088  
2/16

D429,880 S \* 8/2000 McCullough, Jr. .... D3/215

D502,573 S \* 3/2005 Jones ..... D29/113

D581,102 S \* 11/2008 Faulconer ..... D29/117.2

D581,539 S \* 11/2008 Rotter ..... D24/190

8,096,901 B2 \* 1/2012 Russotti ..... A63B 69/0071  
2/161.1

D669,640 S \* 10/2012 Kleinert ..... D29/117.1

D706,992 S \* 6/2014 Bermudez ..... D29/116.1

D723,224 S \* 2/2015 Smith ..... D29/123

(Continued)

**OTHER PUBLICATIONS**

Quest Hand Grips CrossFit, available May 20, 2014, [online], [site visited Oct. 19, 2015]. Available from internet, <URL: <http://www.amazon.com/Quest-Grips-CrossFit-Gymnastics-Protector/dp/B00IPUB4KC>>.\*

Men's Handguards, available Jul. 19, 2013, [online], [site visited Oct. 19, 2015]. Available from internet, <URL: <http://gymnasticplanet.com/shop/en/products/gymnastic-handguards/men.html>>.\*

(Continued)

*Primary Examiner* — Cathron Brooks

*Assistant Examiner* — Teddy Falloway

(74) *Attorney, Agent, or Firm* — Kleinberg & Lerner LLP; Marshall A. Lerner; Marvin H. Kleinberg

(57) **CLAIM**

The ornamental design for a glove, as shown and described.

**DESCRIPTION**

FIG. 1 is a inside perspective view of a glove for a left hand showing our new design;

FIG. 2 is a outside perspective view thereof;

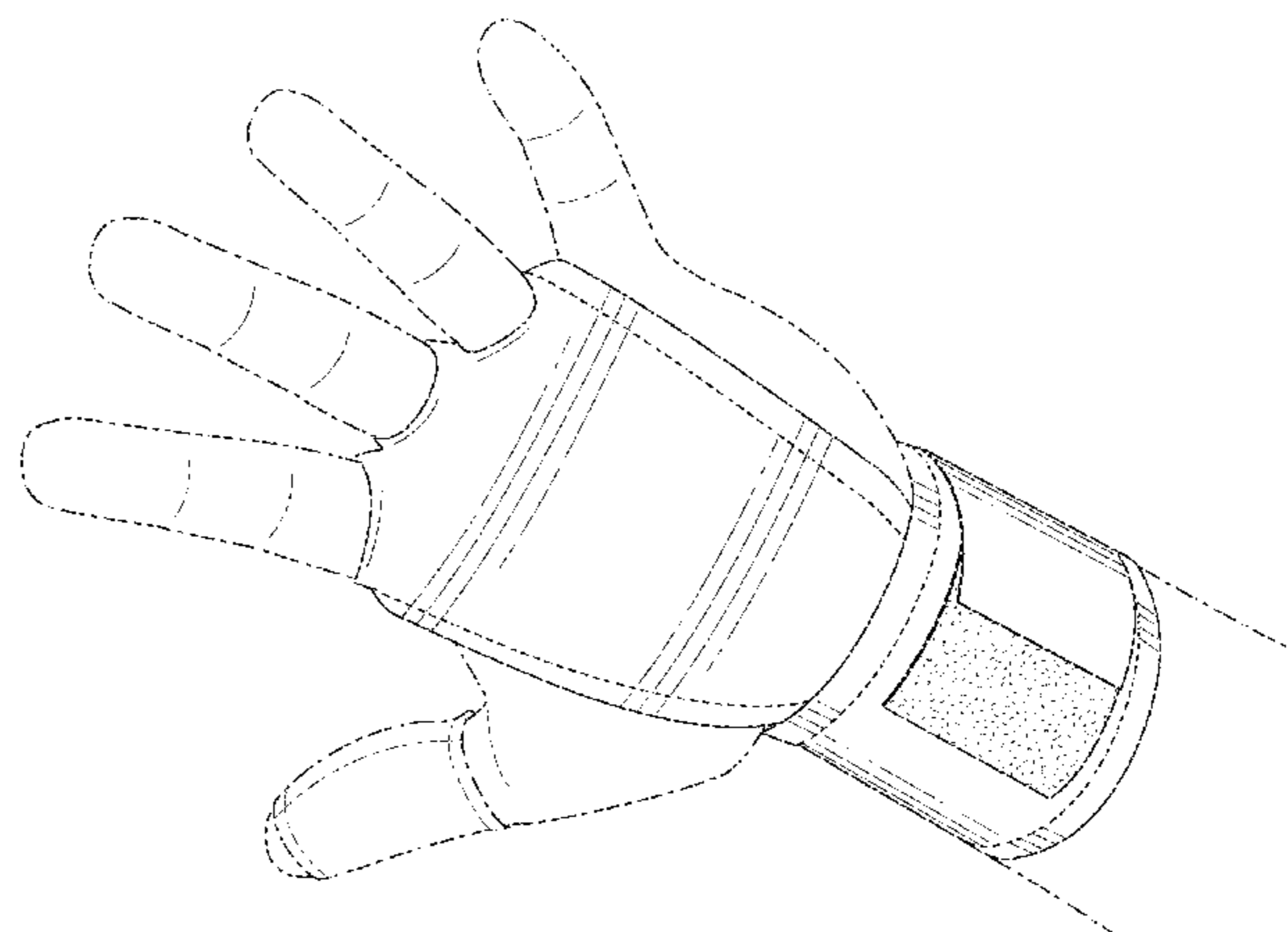
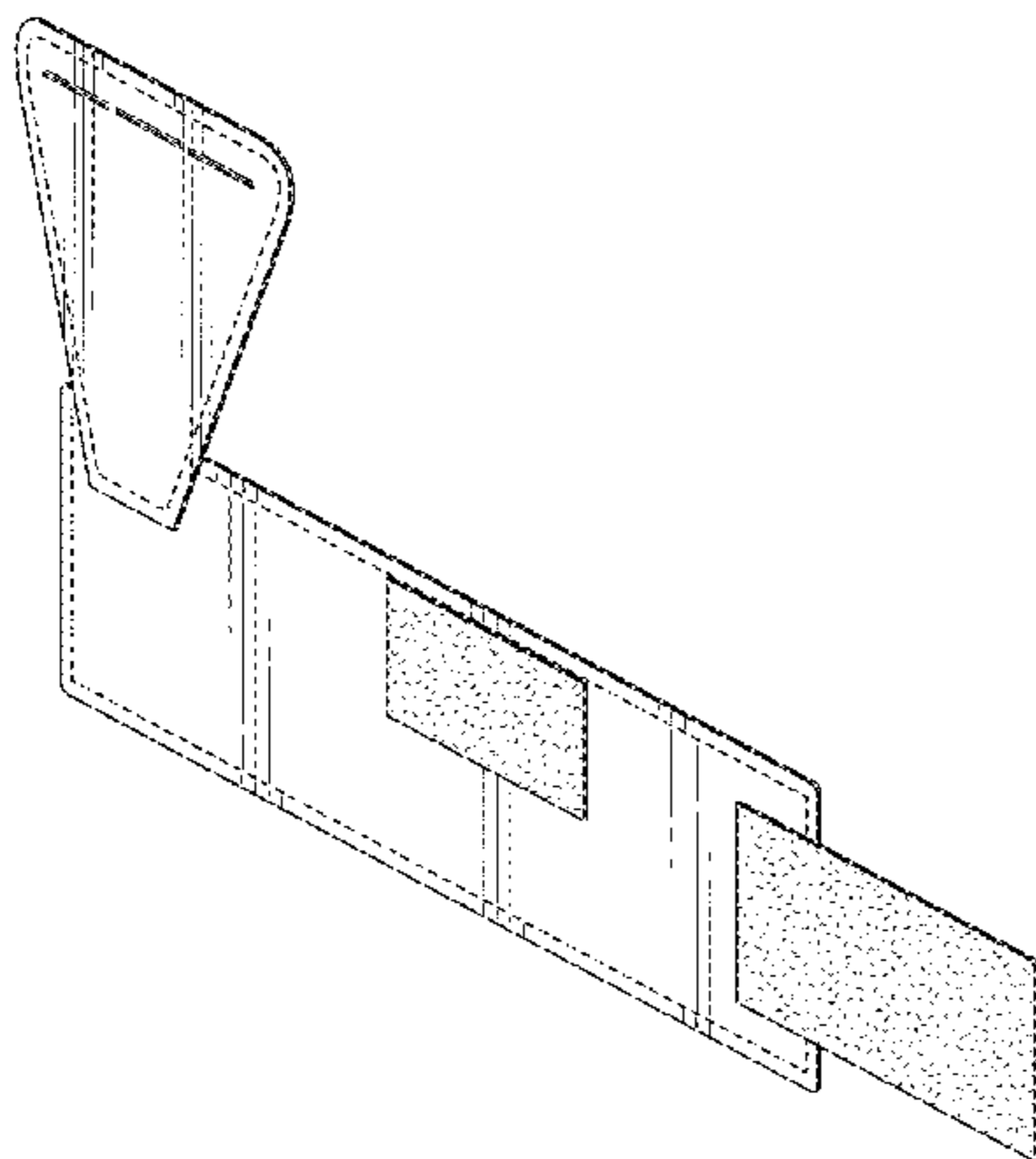
FIG. 3 is a inside elevational view thereof;

FIG. 4 is a outside elevational view thereof; and,

FIG. 5 is a outside perspective view thereof.

The broken lines shown on the inside and outside surfaces of the glove represent stitching and form part of the claim.

**1 Claim, 5 Drawing Sheets**



(56)

**References Cited**

U.S. PATENT DOCUMENTS

2009/0320178 A1\* 12/2009 Faulconer ..... A63B 71/141  
2/161.1  
2010/0000006 A1\* 1/2010 Butler ..... A63B 21/0605  
2/160  
2012/0017351 A1\* 1/2012 McCrane ..... A63B 21/1438  
2/161.1  
2013/0000006 A1\* 1/2013 Norton ..... A41F 1/06  
2/16  
2015/0052655 A1\* 2/2015 McCully ..... A41D 13/084  
2/16  
2015/0072579 A1\* 3/2015 Jack ..... A63B 69/00  
441/57

OTHER PUBLICATIONS

Red Bulls Workout Grip, available May 19, 2015, [online], [site visited Oct. 19, 2015]. Available from internet, <URL: [http://www.amazon.com/gp/product/B00VK9CNE6?keywords=red%20bull%20lifting%20grip&qid=1445267944&ref\\_=sr\\_1\\_1&sr=8-1](http://www.amazon.com/gp/product/B00VK9CNE6?keywords=red%20bull%20lifting%20grip&qid=1445267944&ref_=sr_1_1&sr=8-1)>.\*  
New Wrist Wrap Gloves, available Feb. 26, 2014, [online], [site visited Oct. 19, 2015]. Available from internet, <URL: [http://www.amazon.com/gp/product/B00GY168WS?keywords=workout%20grips&qid=1445268323&ref\\_=sr\\_1\\_6&sr=8-6](http://www.amazon.com/gp/product/B00GY168WS?keywords=workout%20grips&qid=1445268323&ref_=sr_1_6&sr=8-6)>.\*

\* cited by examiner

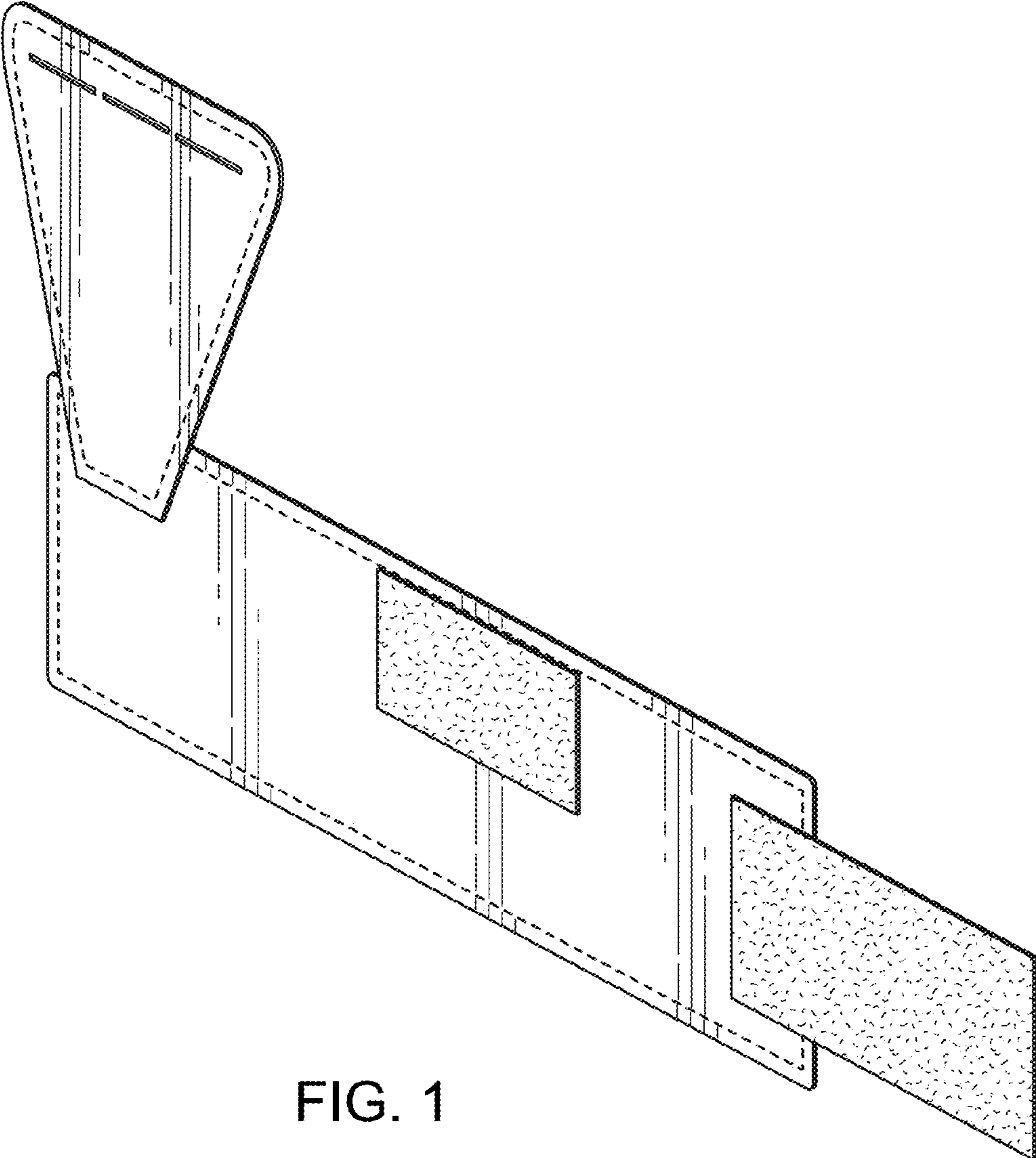


FIG. 1

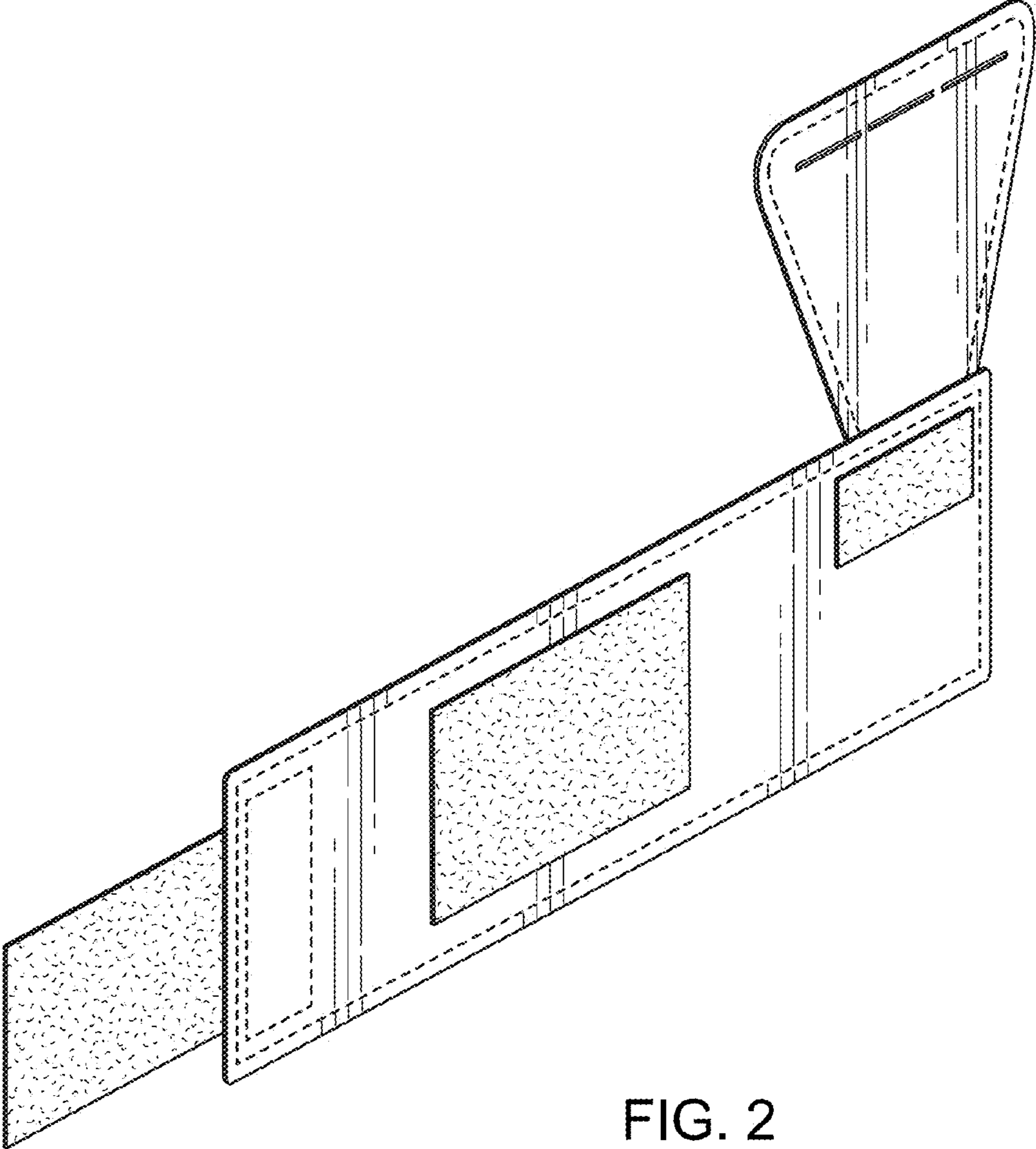


FIG. 2

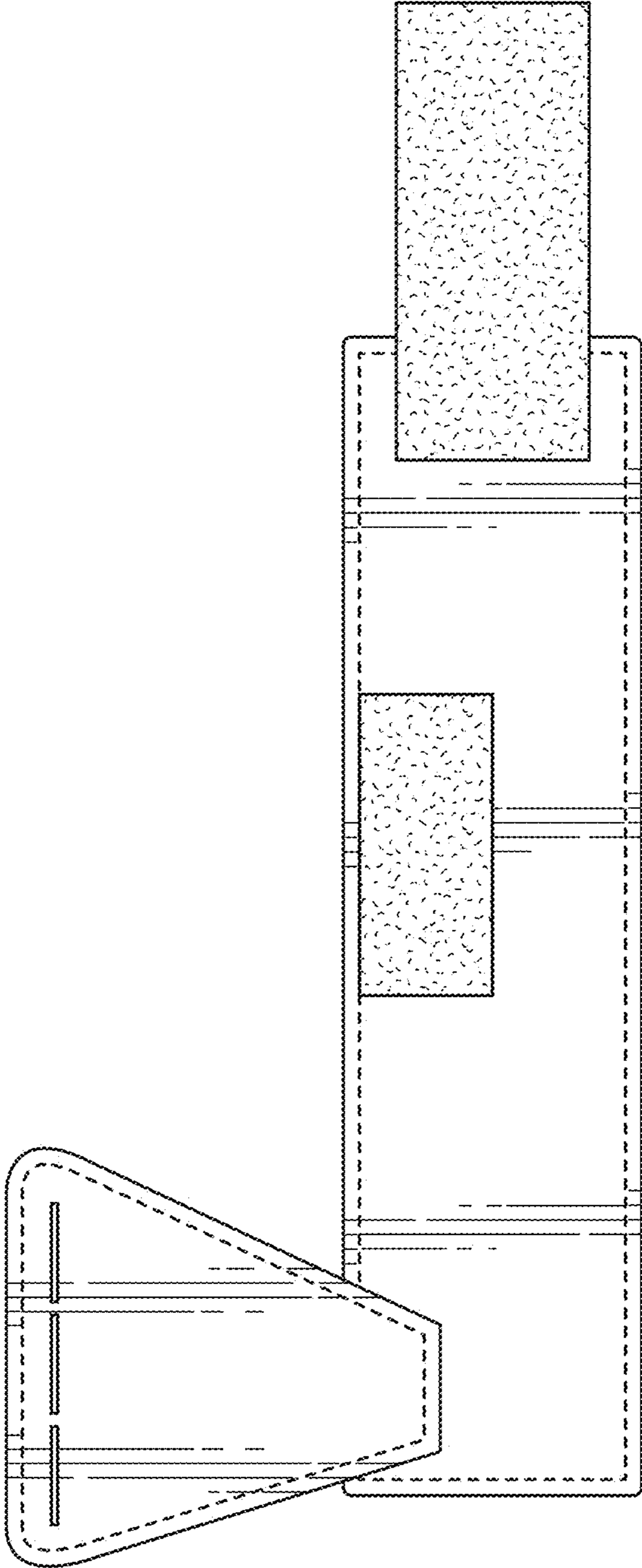


FIG. 3

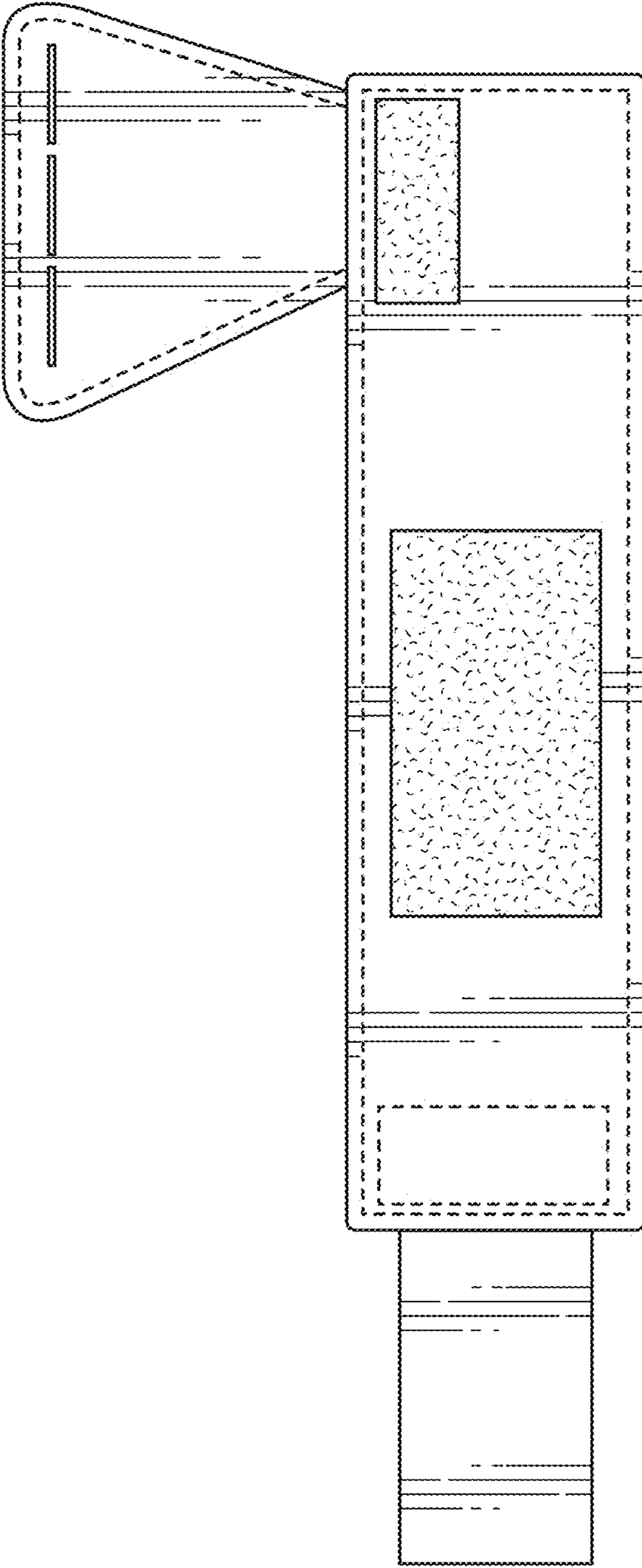


FIG. 4

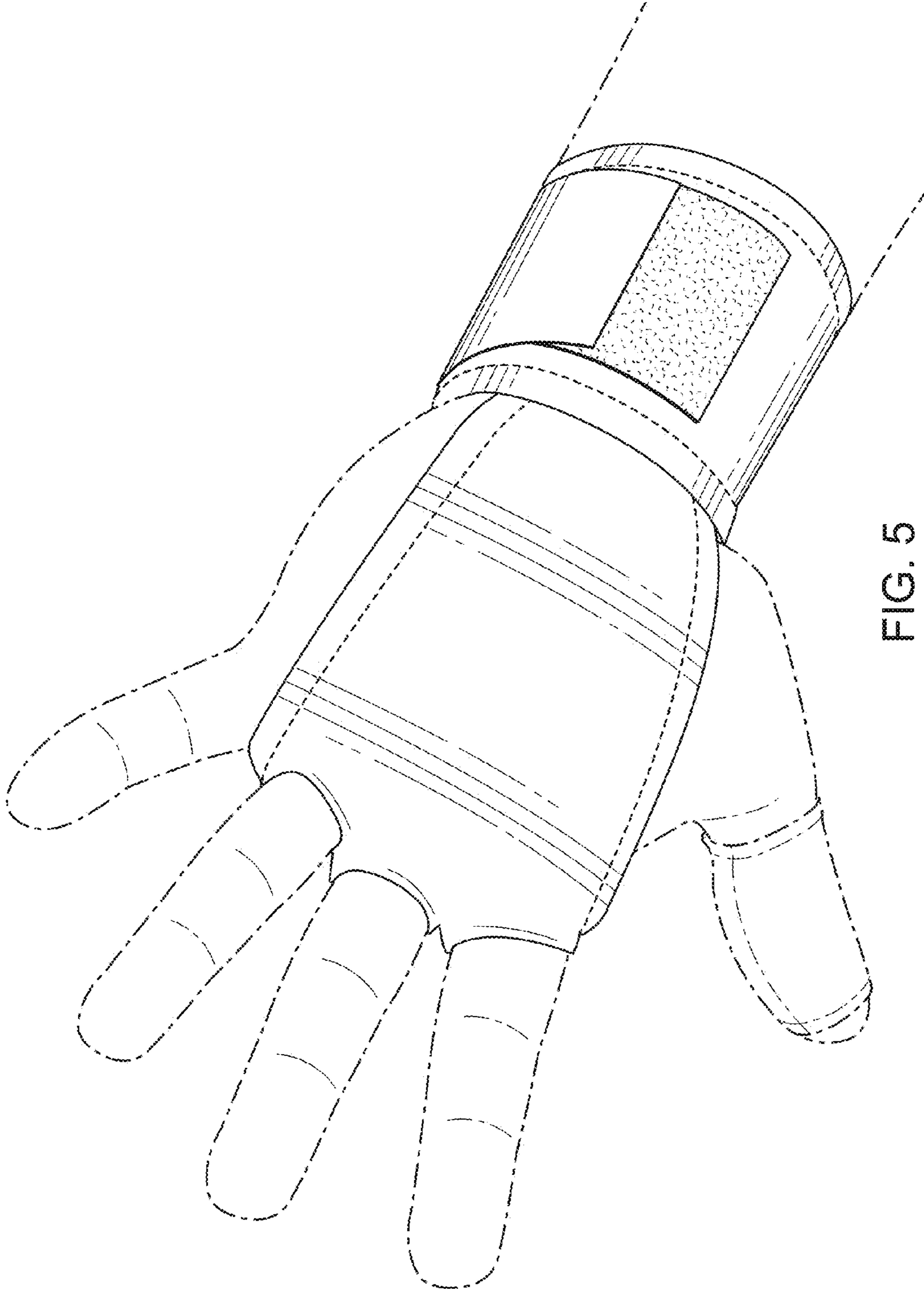


FIG. 5