



US00D751766S

(12) **United States Design Patent**  
**Goodman et al.**

(10) **Patent No.:** **US D751,766 S**  
(45) **Date of Patent:** **\*\* Mar. 15, 2016**

- (54) **STYLING CENTER**
- (71) Applicant: **Spectrum Diversified Designs, Inc.**,  
Streetsboro, OH (US)
- (72) Inventors: **Sheldon H. Goodman**, Solon, OH (US);  
**Phaysouk Xayoiphonh**, Akron, OH  
(US); **Jennifer K. Case**, Middleburg  
Heights, OH (US)
- (73) Assignee: **Spectrum Diversified Designs, LLC**,  
Streetsboro, OH (US)
- (\*\*) Term: **14 Years**
- (21) Appl. No.: **29/507,696**
- (22) Filed: **Oct. 30, 2014**
- (51) **LOC (10) Cl.** ..... **28-03**
- (52) **U.S. Cl.**  
USPC ..... **D28/73**; D28/38; D6/513; D6/566
- (58) **Field of Classification Search**  
USPC ..... D28/73, 77, 38; D6/567, 566, 528, 531,  
D6/527, 524, 525, 526, 537, 553, 513,  
D6/562; D7/600.1-600.4, 704; D8/373,  
D8/366, 352, 356, 376, 380; 248/317;  
D34/6  
CPC ..... A45D 44/04; A45D 20/00; A45D 20/12;  
A45D 2020/126; A45D 2020/128; A45D  
44/02; A45D 2001/002; A45D 20/16; A47F  
5/00; A47F 5/01; A47F 5/13  
See application file for complete search history.

(56) **References Cited**

**U.S. PATENT DOCUMENTS**

- 759,025 A \* 5/1904 Schiele ..... A47F 5/01  
160/352
- 1,077,027 A \* 10/1913 Austin ..... A47G 7/044  
248/302
- D267,841 S \* 2/1983 Leslie ..... D12/16

- 5,114,106 A \* 5/1992 Daugherty ..... A47G 7/044  
248/206.4
- D365,481 S \* 12/1995 McKeon ..... D30/118
- 5,875,902 A \* 3/1999 Emery ..... A47F 5/13  
108/29
- D479,073 S \* 9/2003 Snell ..... D6/525
- D479,663 S \* 9/2003 Snell ..... D6/525

(Continued)

**OTHER PUBLICATIONS**

Wayfair.com, "hair dryer" tagged items under all bathroom accessories. Accessed on Oct. 6, 2015. (<http://www.wayfair.com/filters/All-Bathroom-Accessories-l363-c1773103-q-hair+dryer.html>).\*

(Continued)

*Primary Examiner* — Jennifer Rivard

*Assistant Examiner* — April Rivas

(74) *Attorney, Agent, or Firm* — Benesch, Friedlander,  
Coplan & Aronoff, LLP

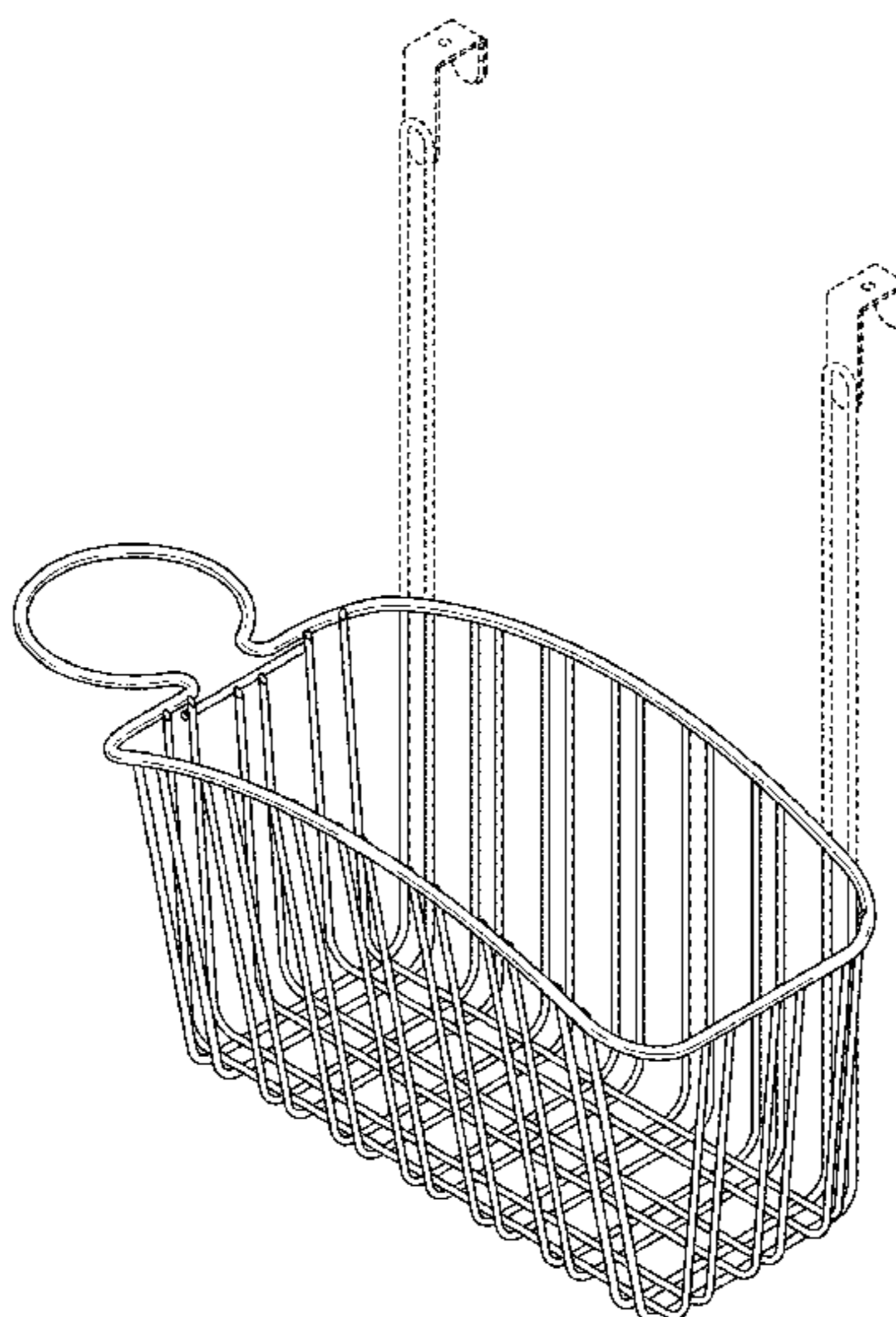
(57) **CLAIM**

What is claimed is the ornamental design for a styling center, as shown and described.

**DESCRIPTION**

FIG. 1 is a perspective view of a styling center showing a new design;  
FIG. 2 is a front view of the styling center of FIG. 1;  
FIG. 3 is a rear view of the styling center of FIG. 1;  
FIG. 4 is a right side view of the styling center of FIG. 1;  
FIG. 5 is a left side view of the styling center of FIG. 1;  
FIG. 6 is a top view of the styling center of FIG. 1; and,  
FIG. 7 is a bottom view of the styling center of FIG. 1.  
The components of the display shown in broken lines illustrate portions of the styling center form no part of the claimed design.

**1 Claim, 5 Drawing Sheets**



(56)

References Cited

OTHER PUBLICATIONS

U.S. PATENT DOCUMENTS

D584,056 S *	1/2009	Ghiorghie .....	D3/304
D588,814 S *	3/2009	Ghiorghie .....	D3/304
D588,815 S *	3/2009	Ghiorghie .....	D3/304
D616,680 S *	6/2010	Snider .....	D6/513
D617,126 S *	6/2010	Snider .....	D6/513
D628,385 S *	12/2010	Klein .....	D6/513
D650,209 S *	12/2011	Snider .....	D6/513
D693,577 S *	11/2013	Goodman .....	D3/306
D698,186 S *	1/2014	Funchess .....	D6/552
D718,054 S *	11/2014	Goodman .....	D3/306
D723,302 S *	3/2015	Goodman .....	D6/566
D728,255 S *	5/2015	Guindi .....	D6/513

Google.com image search "under cabinet hair dryer holder", date restricted to show results prior to Jun. 24, 2013. Accessed 11/09/2015.\*

Amazon.com, "Keuco Universal . . . Hair Dryer Holder", uploaded to amazon on Nov. 8, 2014. Accessed on Oct. 22, 2015. (<http://www.amazon.com/Keuco-Universal-holder-right-hand-4997010000/dp/B001ESNAPY>).\*

\* cited by examiner

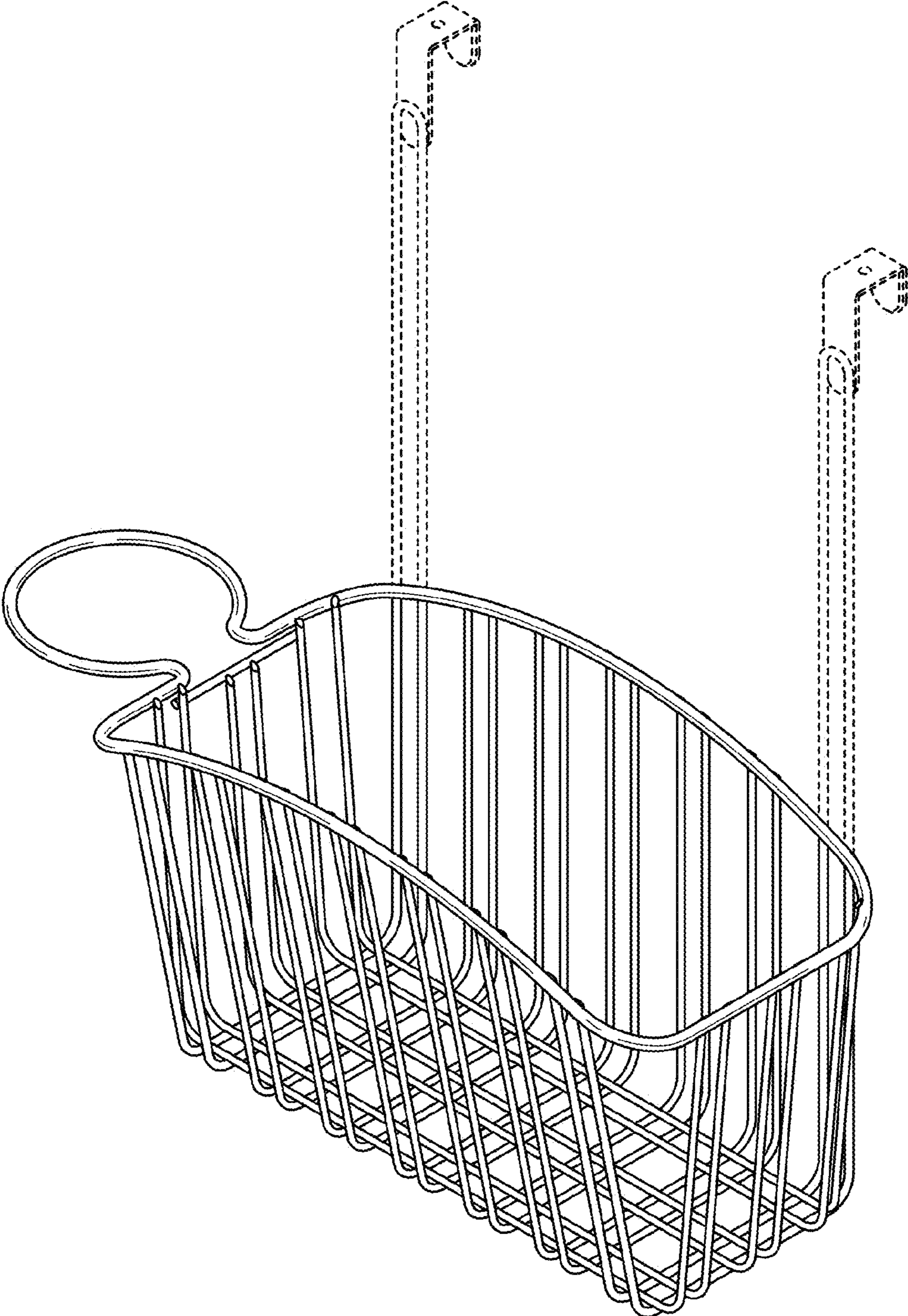


FIG. 1

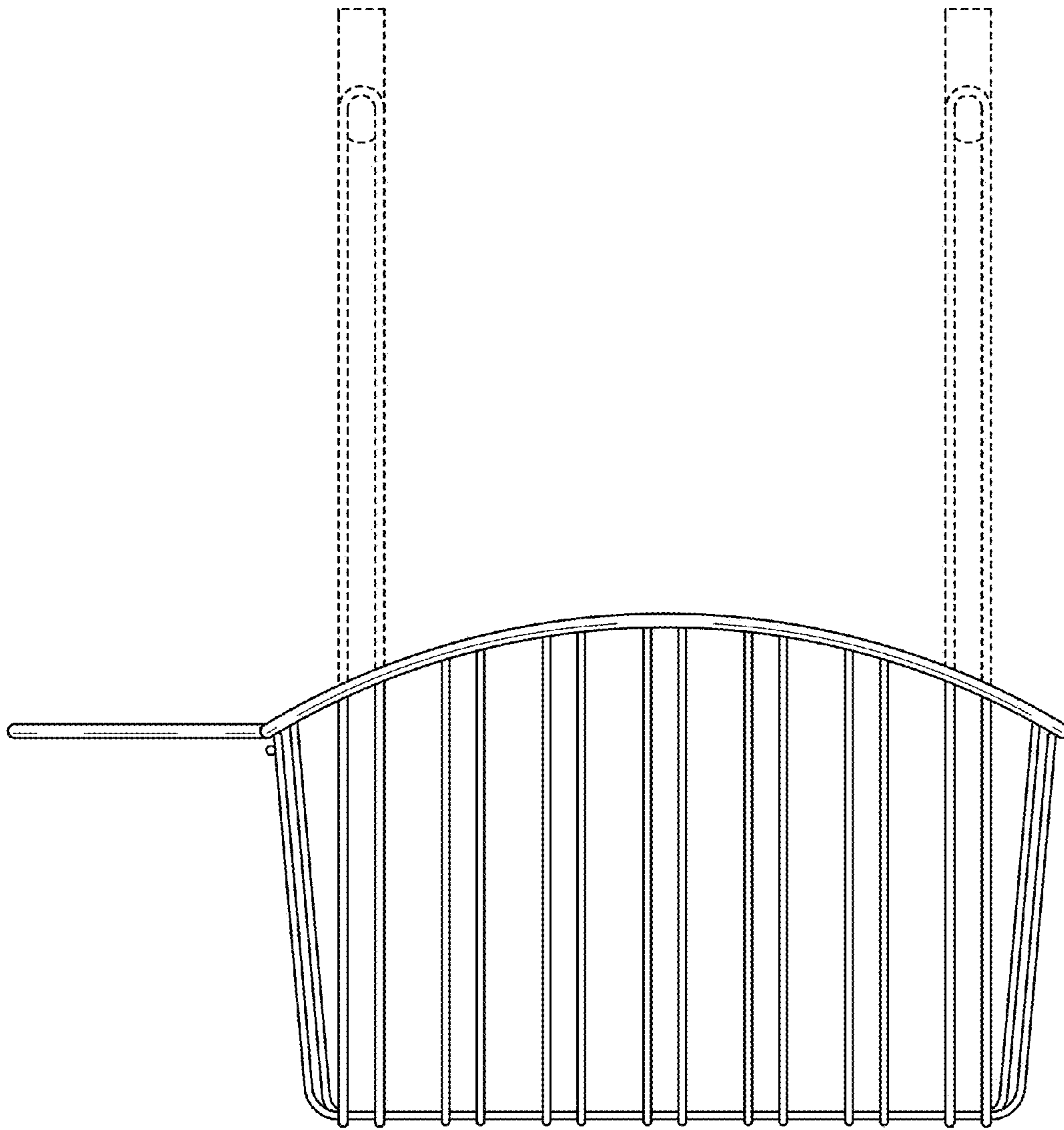


FIG. 2

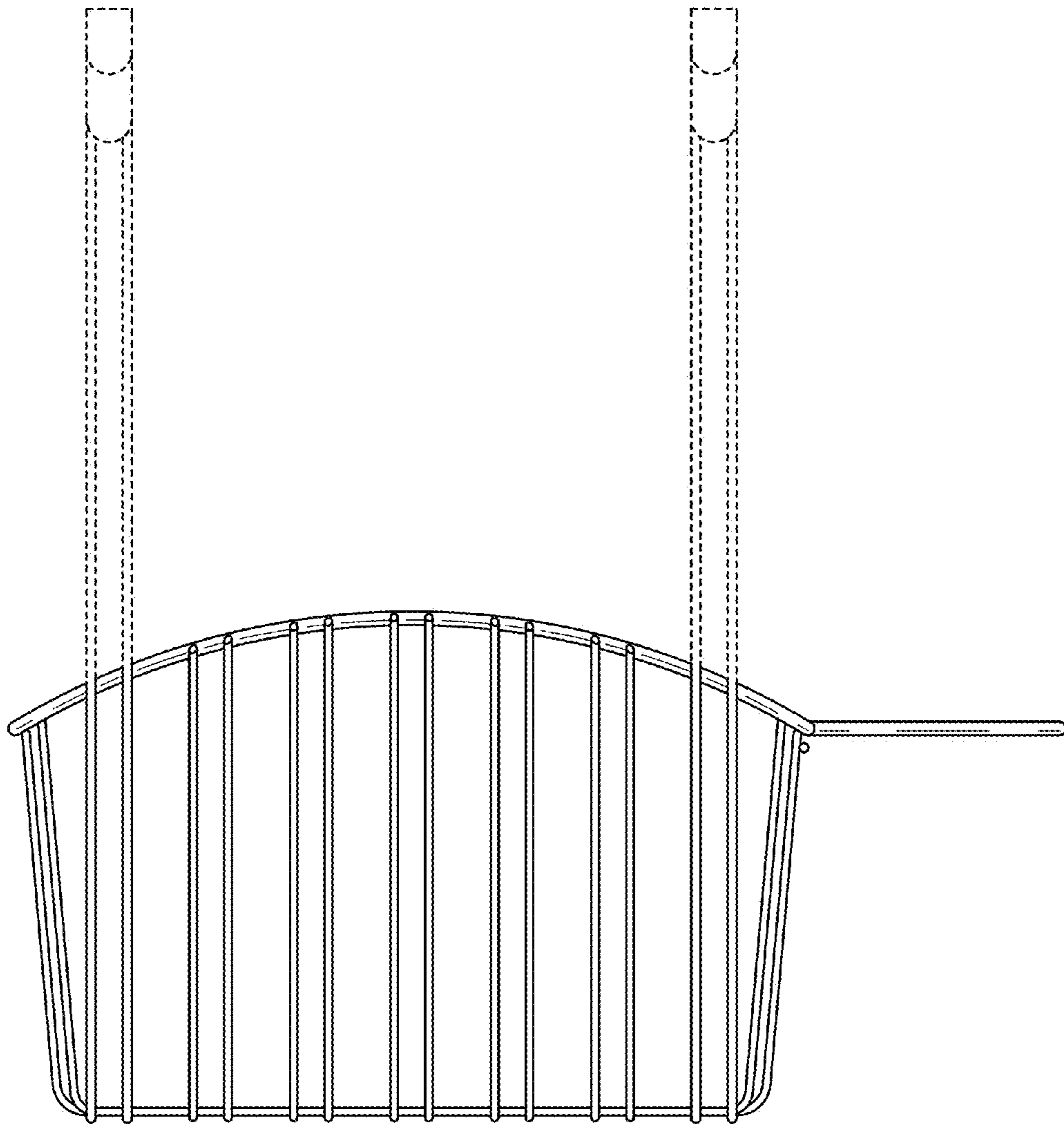


FIG. 3

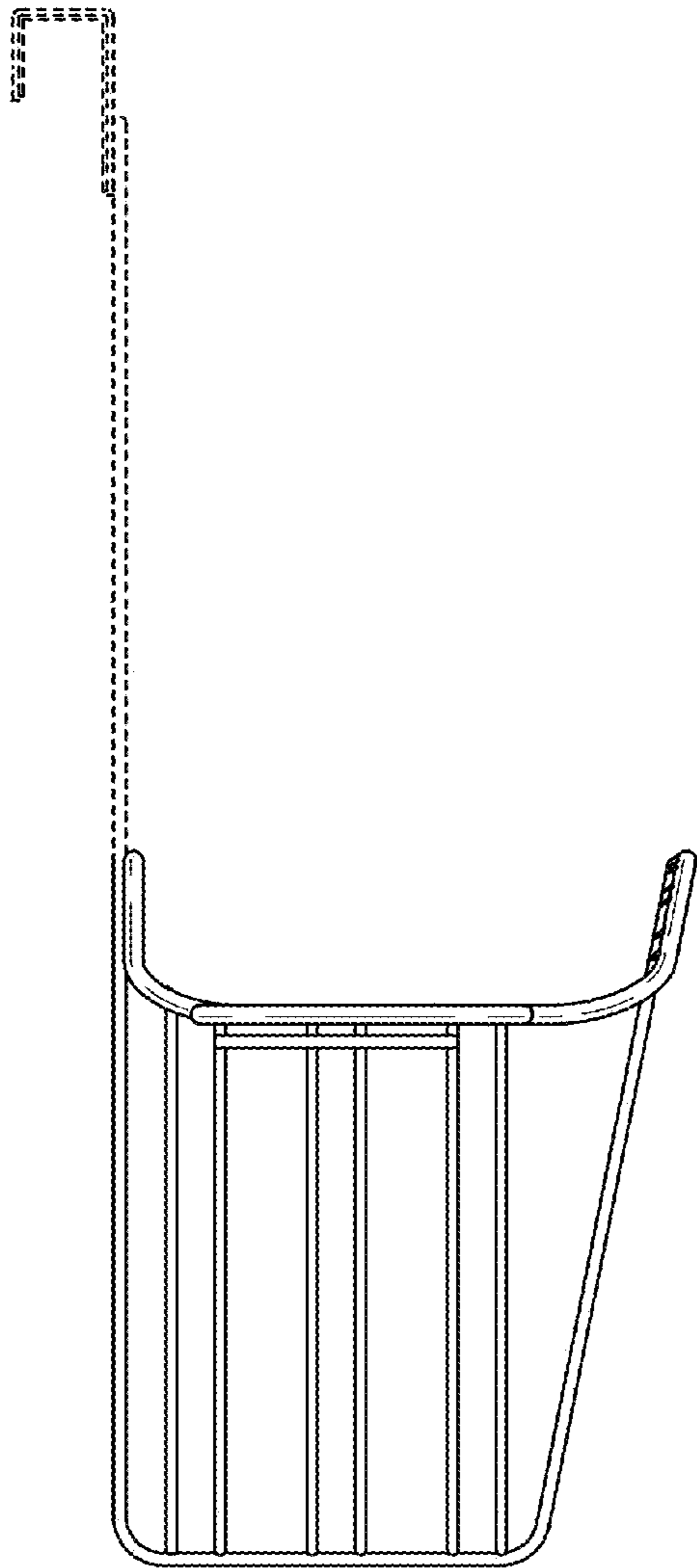


FIG. 4

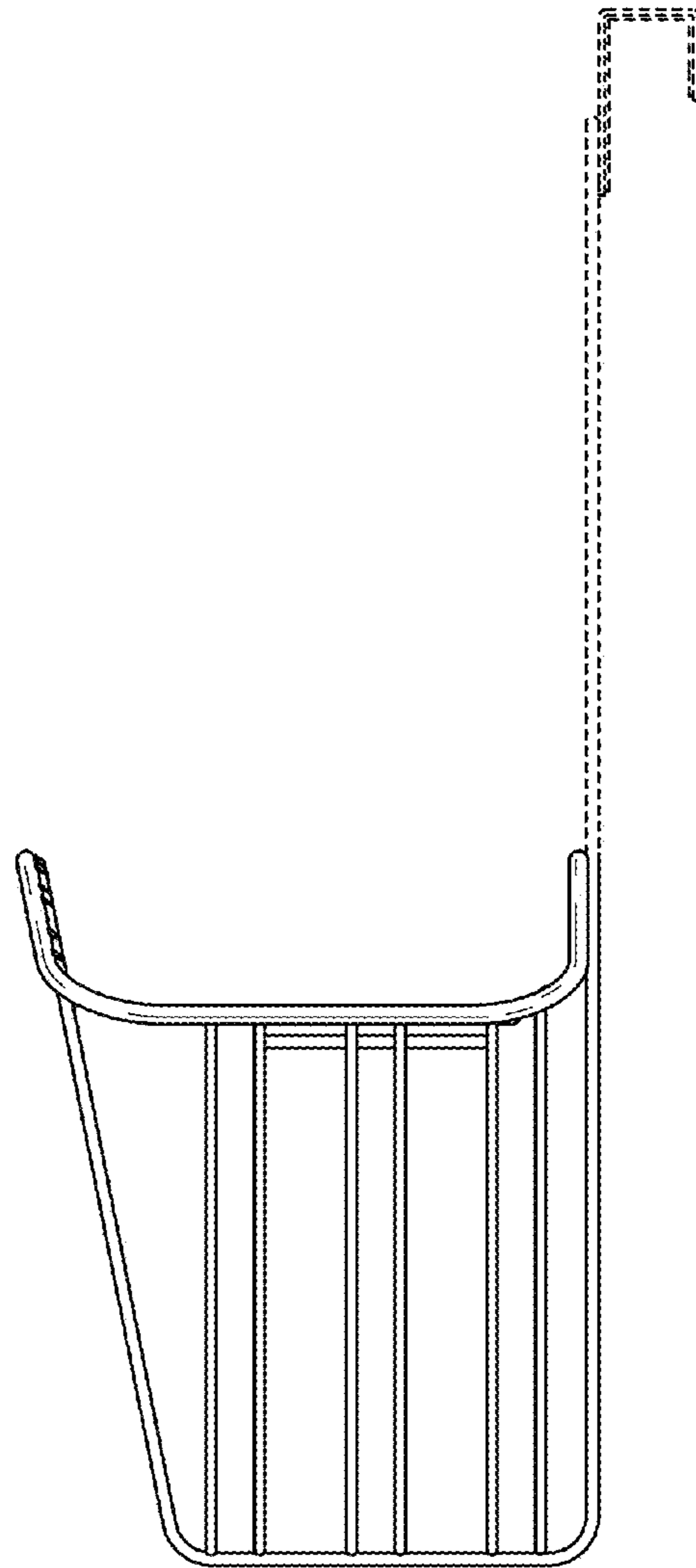


FIG. 5

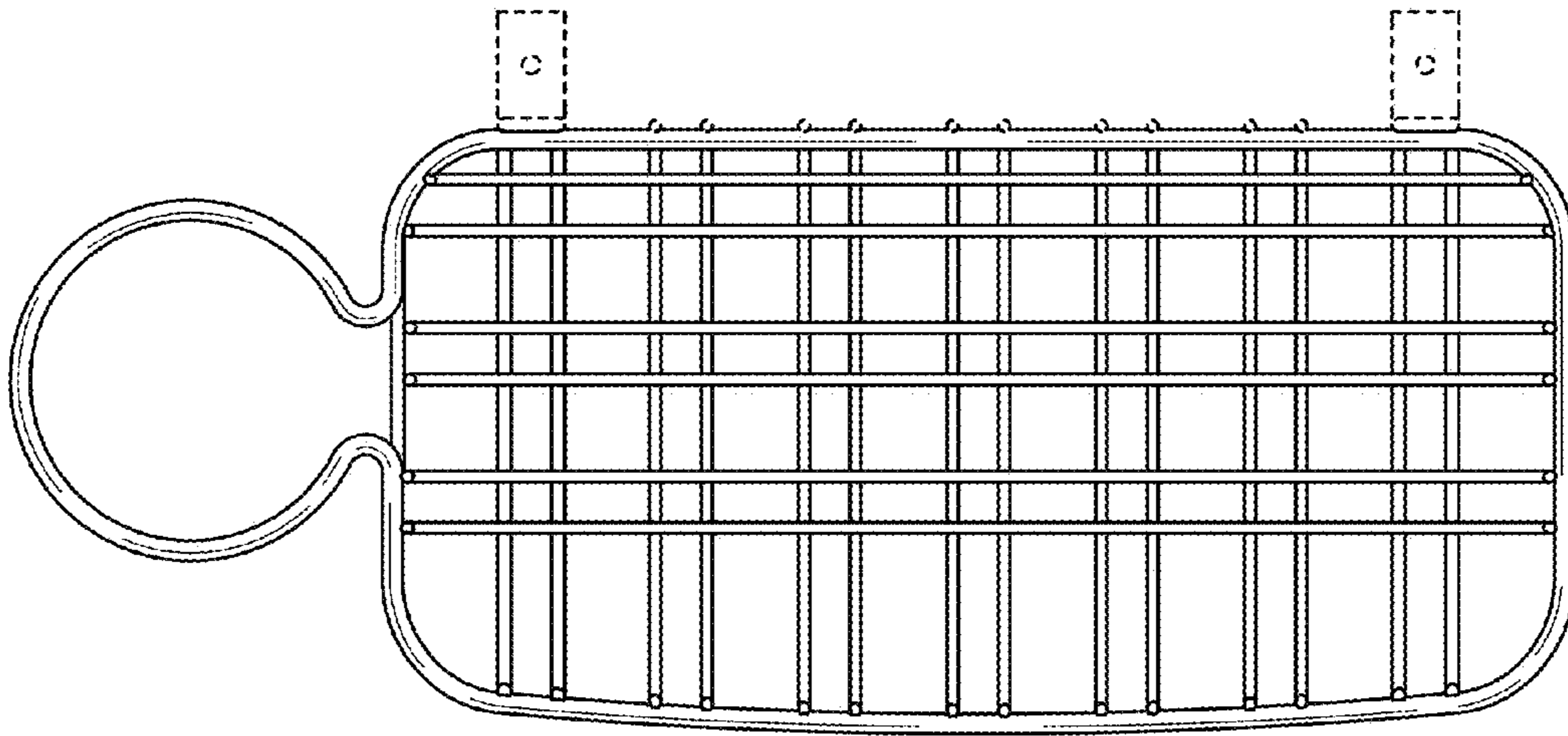


FIG. 6

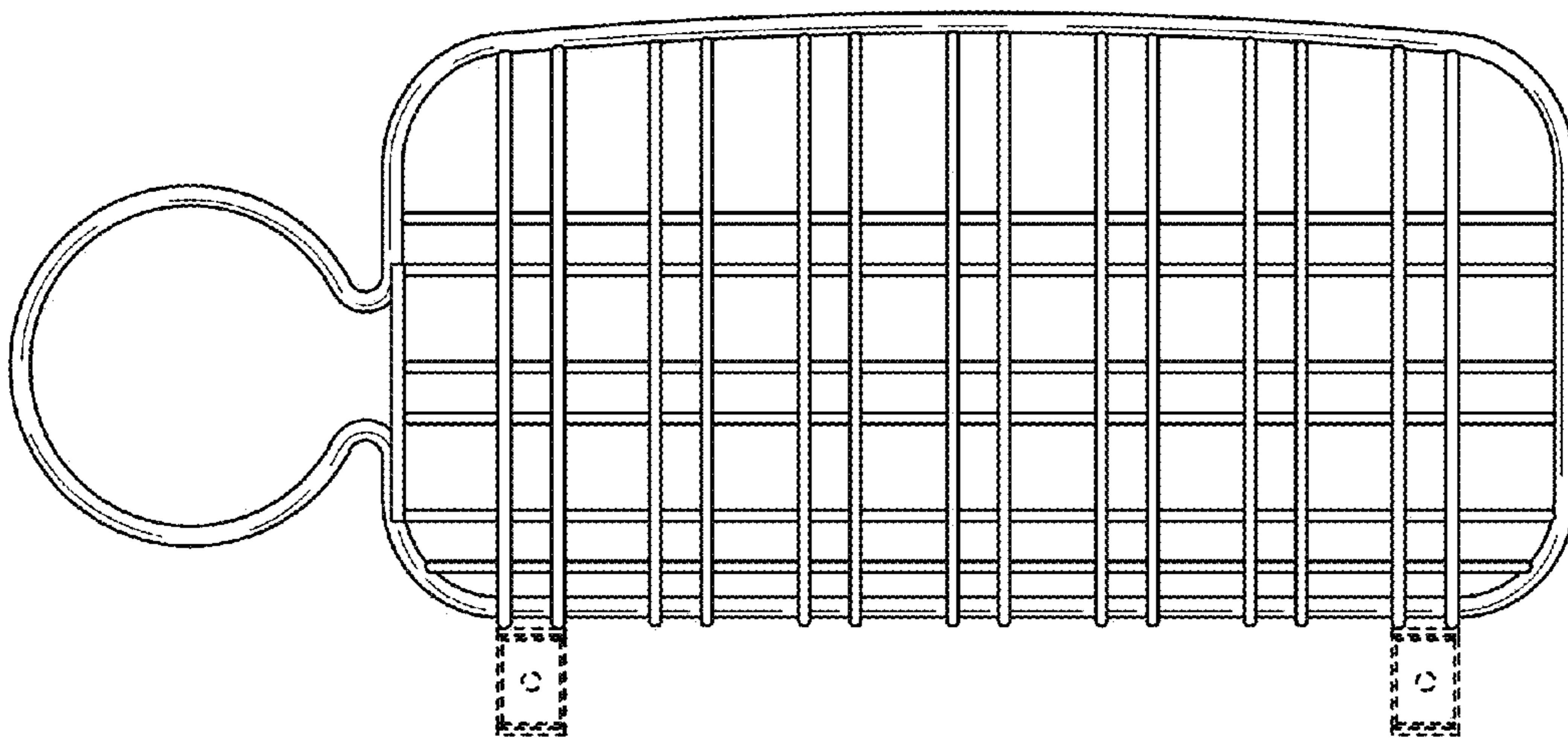


FIG. 7