

US00D751764S

(12) **United States Design Patent**  
**Petrucelli**

(10) **Patent No.:** **US D751,764 S**  
(45) **Date of Patent:** **\*\* Mar. 15, 2016**

(54) **PEDESTAL WITH COILS FOR HOLDING HAIR STYLING TOOLS**

(71) Applicant: **P.S. Pibbs, Inc.**, Flushing, NY (US)

(72) Inventor: **Giulio Petrucelli**, Flushing, NY (US)

(73) Assignee: **P.S. Pibbs, Inc.**, Flushing, NY (US)

(\*\*) Term: **14 Years**

(21) Appl. No.: **29/498,440**

(22) Filed: **Aug. 4, 2014**

**Related U.S. Application Data**

(62) Division of application No. 29/455,001, filed on May 16, 2013.

(51) **LOC (10) Cl.** ..... **28-03**

(52) **U.S. Cl.**  
USPC ..... **D28/73; D28/38**

(58) **Field of Classification Search**  
USPC ..... D6/567, 566, 528, 531, 527, 681.3, D6/682.2, 682.5, 682.6; D28/73, 77, 38, D28/74, 93, 92, 9, 10; D8/373, 366, 71, D8/352, 356, 376, 380; D7/704  
CPC ..... F16M 11/04; A45D 20/00; A45D 20/12; A45D 2020/126; A45D 2020/128; A45D 44/02; A45D 44/04; A45D 20/16; A45D 2001/002; A45D 1/00  
See application file for complete search history.

(56) **References Cited**

**U.S. PATENT DOCUMENTS**

D207,091 S \* 3/1967 Hanz ..... D6/527  
D289,121 S \* 4/1987 Sasaki ..... D6/718.31  
D373,849 S \* 9/1996 Passalacqua ..... D28/38  
D377,695 S \* 1/1997 Puckett ..... D28/38  
5,613,305 A \* 3/1997 Narrin ..... 34/90

D391,812 S \* 3/1998 Shafa ..... D7/704  
D400,037 S \* 10/1998 Bartholow ..... D6/566  
D434,619 S \* 12/2000 Janis ..... D7/702  
6,581,890 B2 \* 6/2003 Johnson et al. .... 248/161  
D489,841 S \* 5/2004 West ..... D28/18  
D502,786 S \* 3/2005 Cheung ..... D28/73  
D558,925 S \* 1/2008 Skyles ..... D28/73  
D595,996 S \* 7/2009 Cass et al. .... D7/637  
D640,003 S \* 6/2011 Gilbert ..... D28/38  
D702,885 S \* 4/2014 Petrucelli ..... D28/73  
D729,456 S \* 5/2015 Craven ..... D28/76  
2006/0289367 A1 \* 12/2006 Cossey ..... 211/13.1

\* cited by examiner

*Primary Examiner* — Jennifer Rivard

*Assistant Examiner* — April Rivas

(74) *Attorney, Agent, or Firm* — Gerald E. Hespos; Michael J. Porco; Matthew T. Hespos

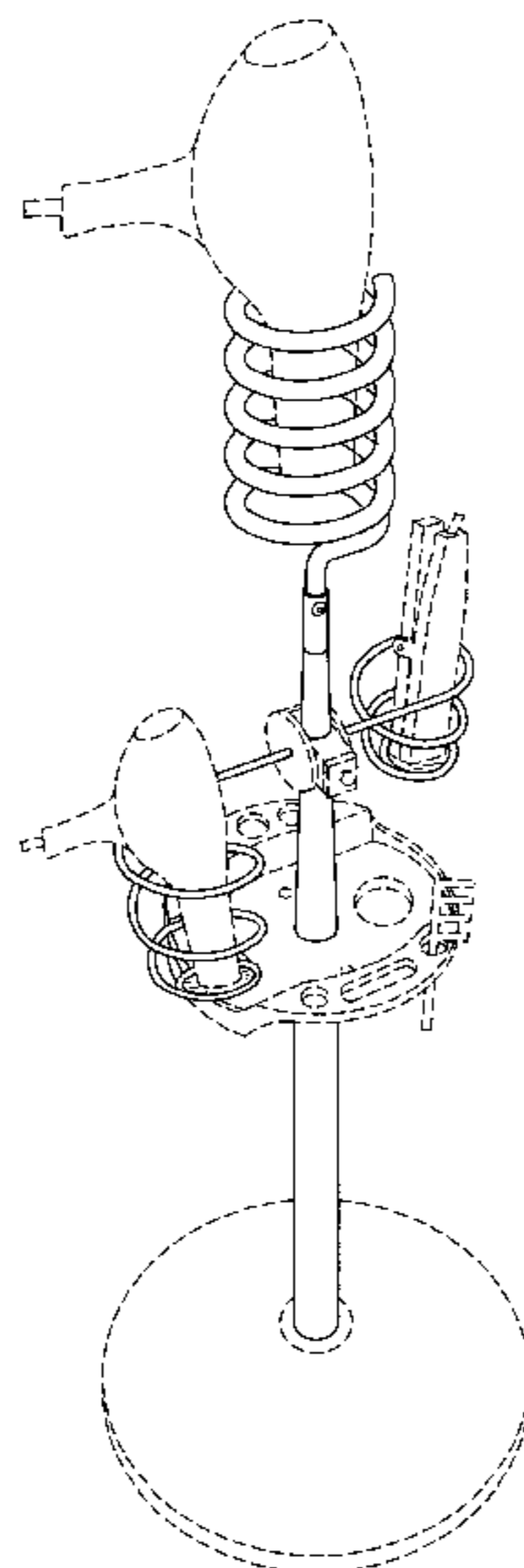
(57) **CLAIM**

The ornamental design for a pedestal with coils for holding hair styling tools, as shown and described.

**DESCRIPTION**

FIG. 1 is an environmental perspective view of a pedestal with coils for holding hair styling tools showing my new design; FIG. 2 is a perspective view of a pedestal with coils for holding hair styling tools; FIG. 3 is a top plan view thereof; FIG. 4 is a front elevational view thereof; FIG. 5 is a left side elevational view thereof; FIG. 6 is a right side elevational view thereof; FIG. 7 is a rear elevational view thereof; and, FIG. 8 is a bottom plan view thereof. The broken lines in FIG. 1 illustrating hair styling tools show the claimed design in a state of use. The remaining broken lines shown in the drawings illustrate portions of the pedestal with coils for holding hair styling tools. None of the broken lines form part of the claimed design.

**1 Claim, 7 Drawing Sheets**



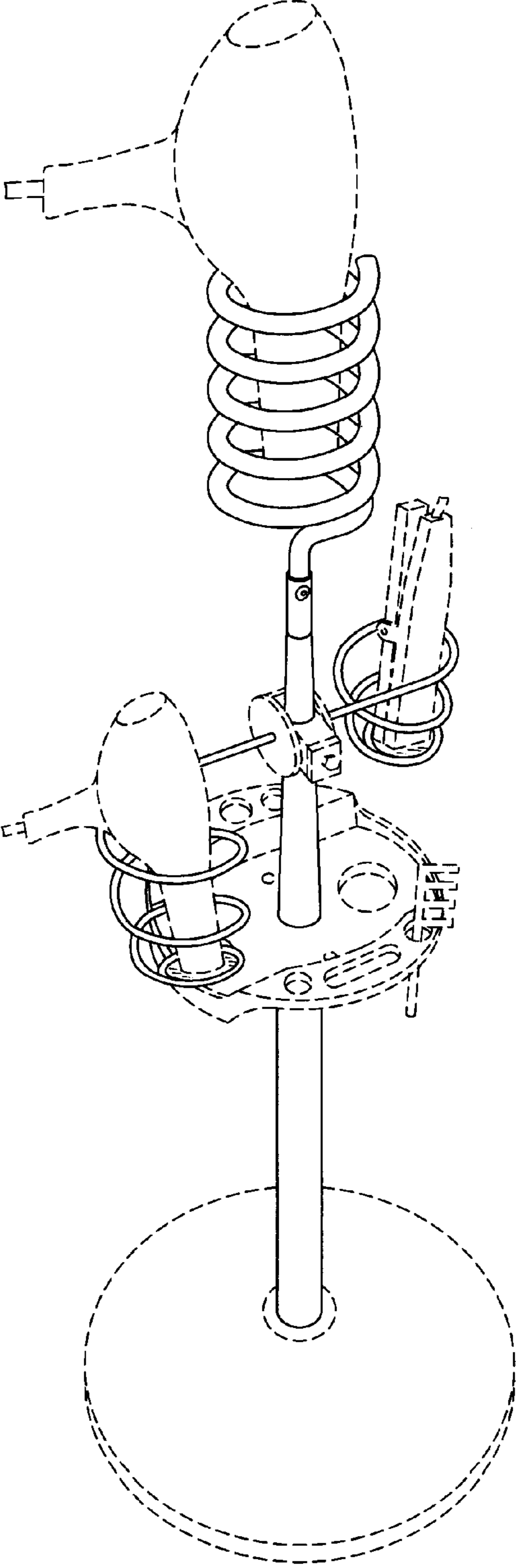


FIG. 1

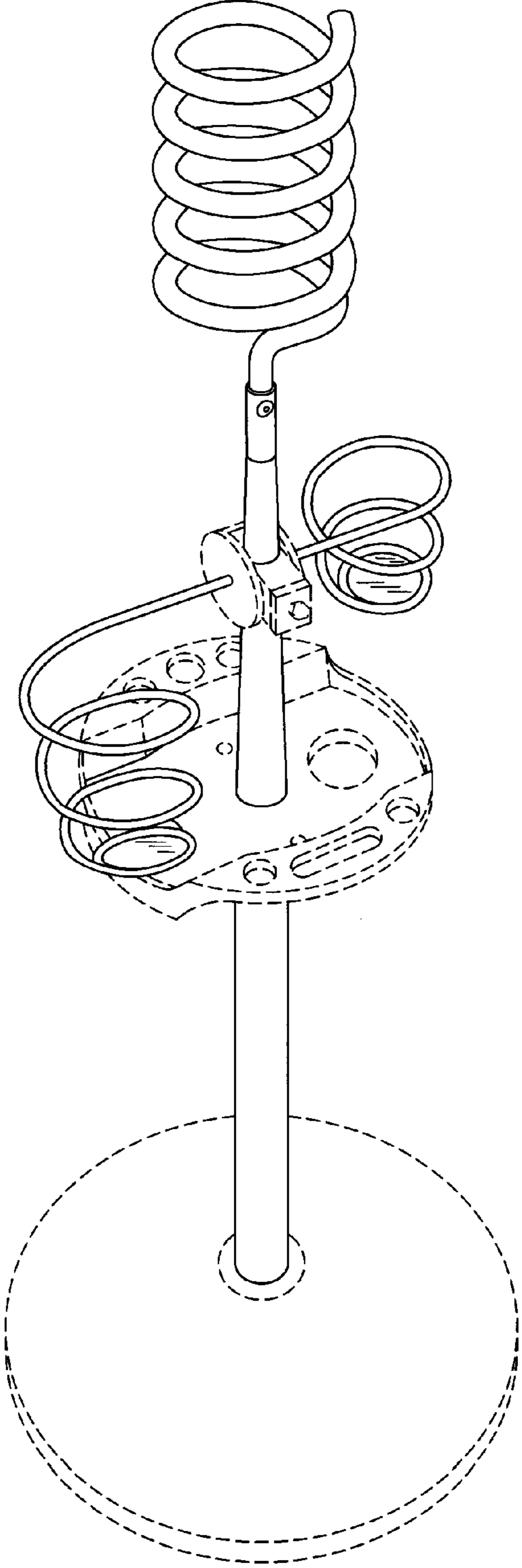


FIG. 2

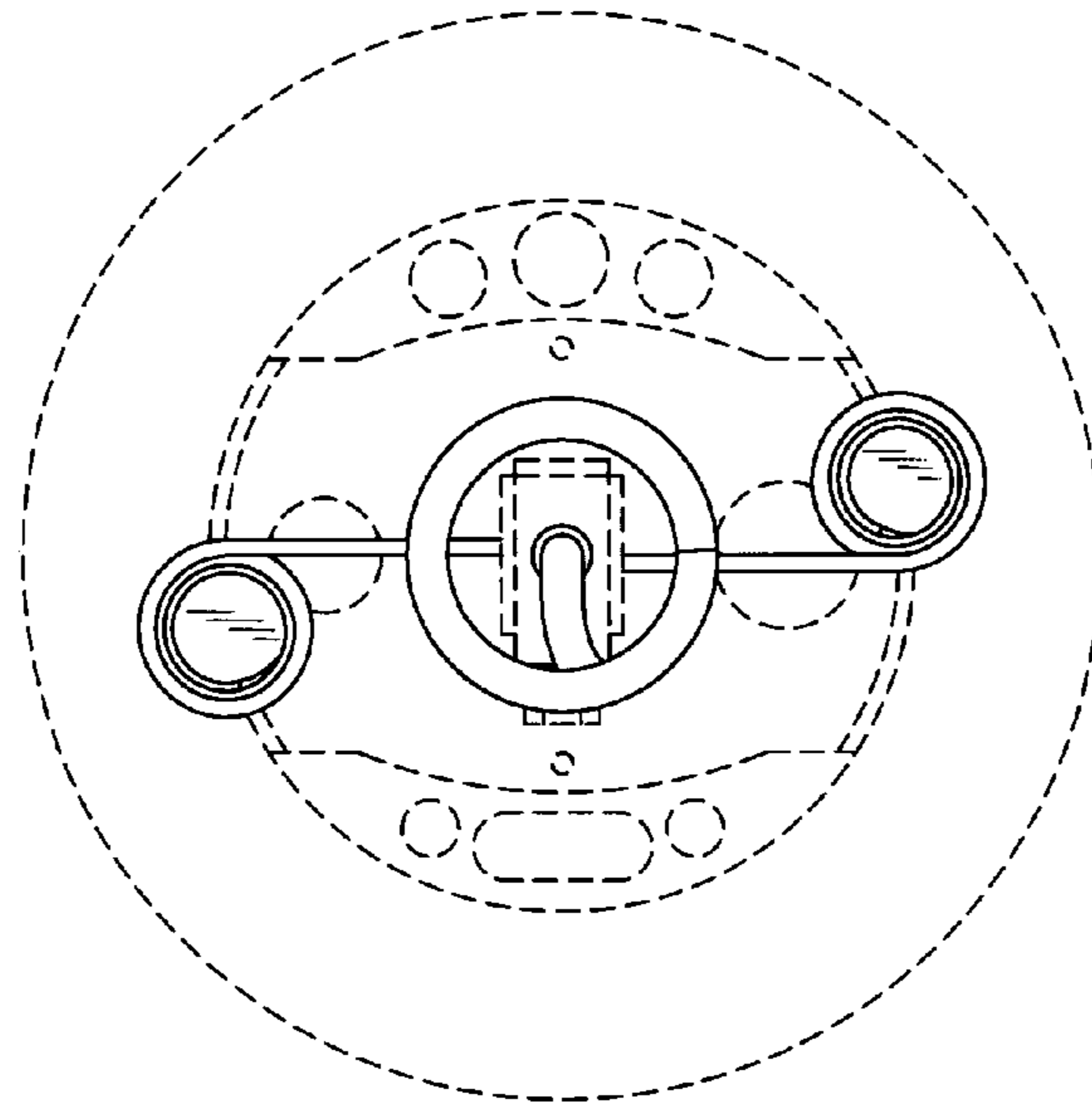


FIG. 3

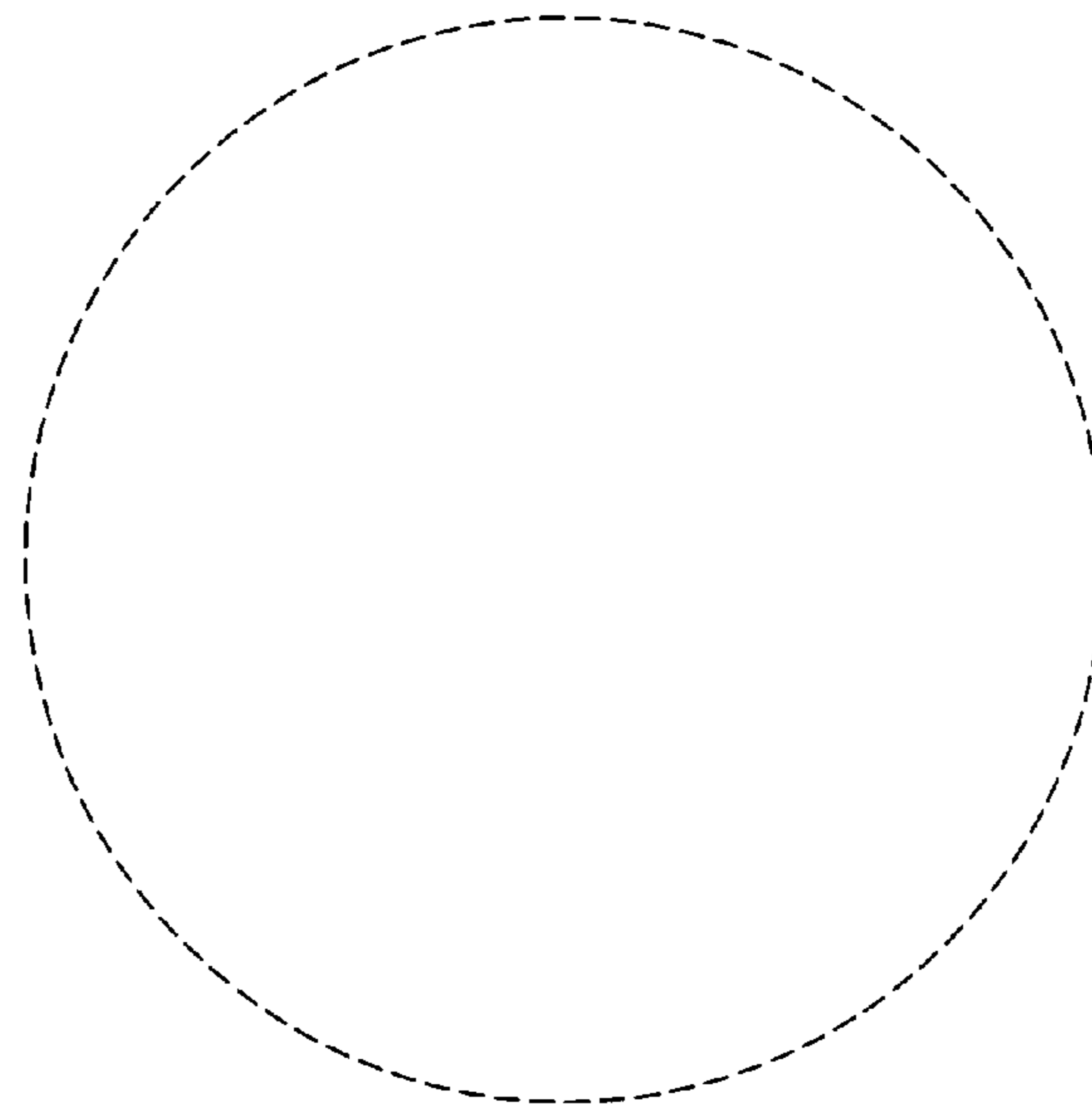


FIG. 8

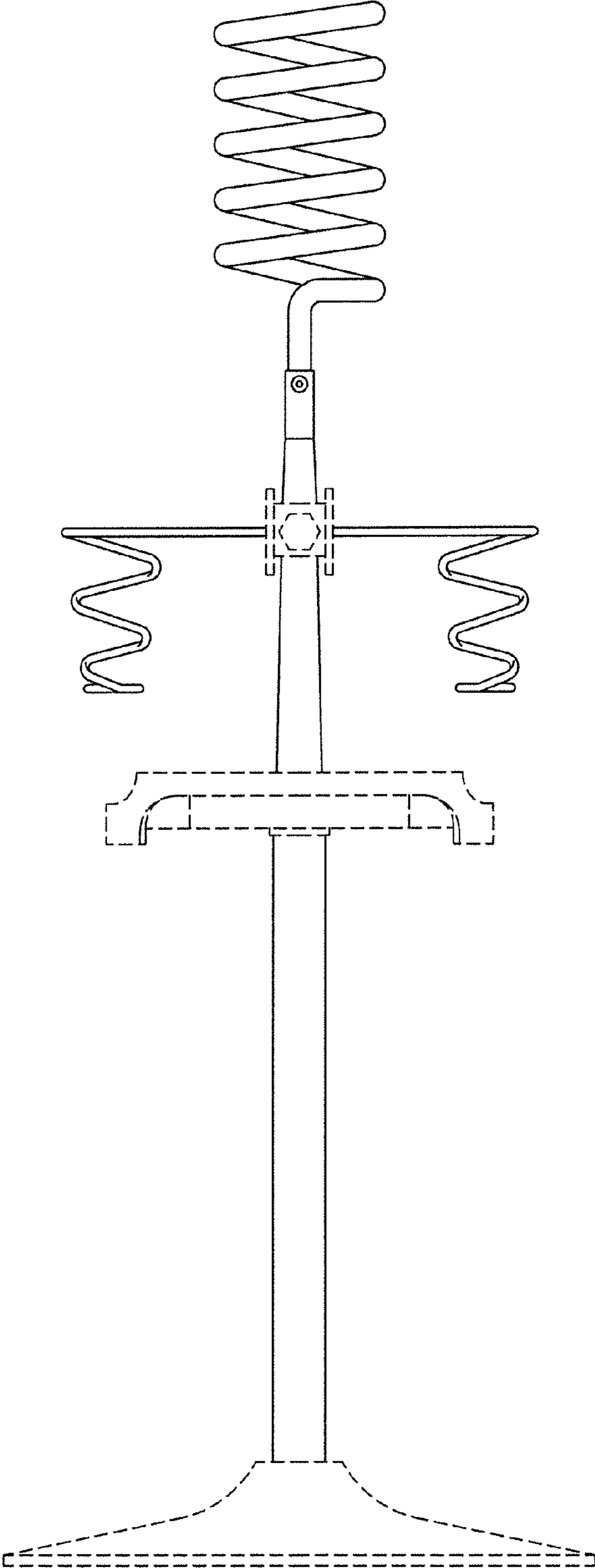


FIG. 4

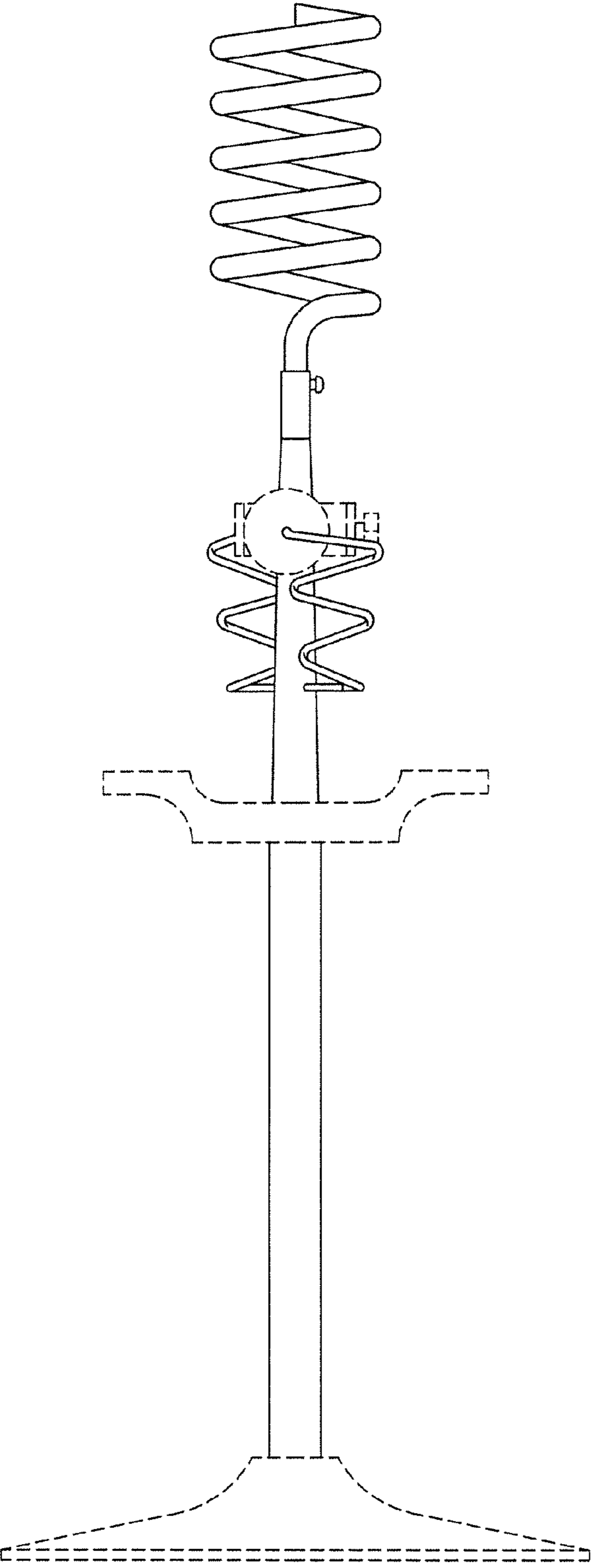


FIG.5

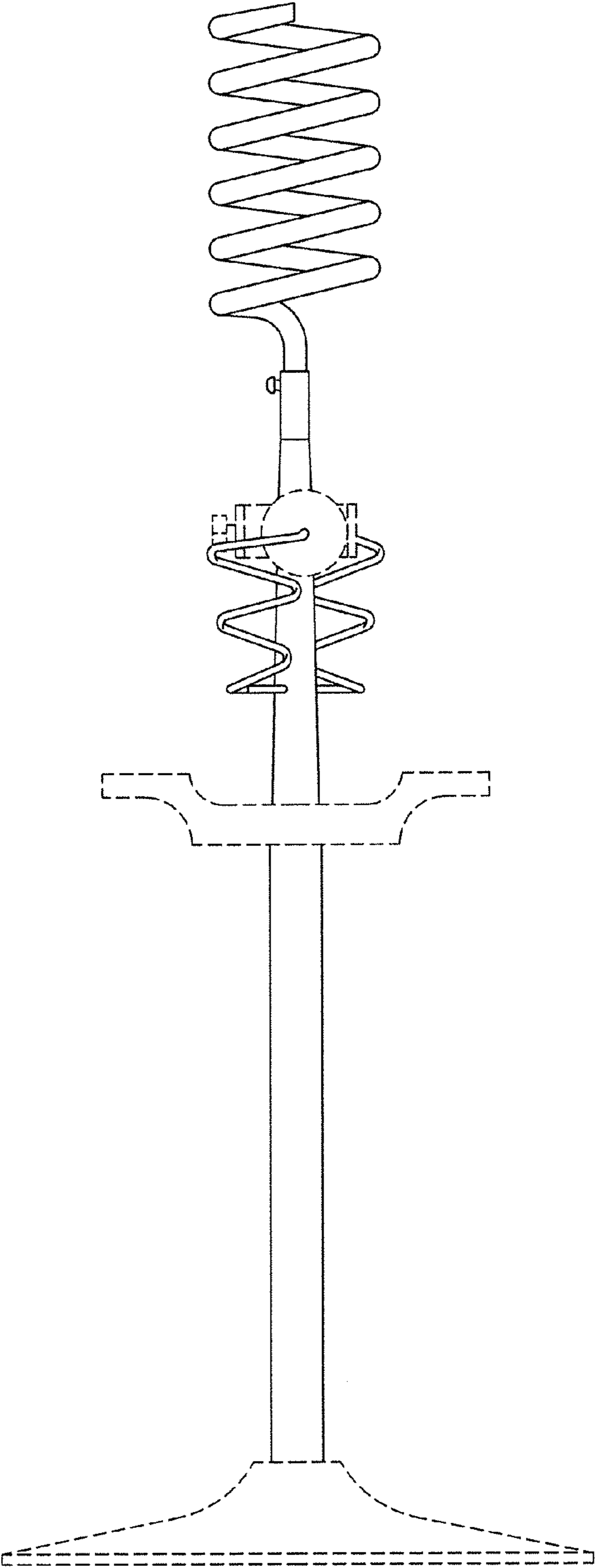


FIG. 6



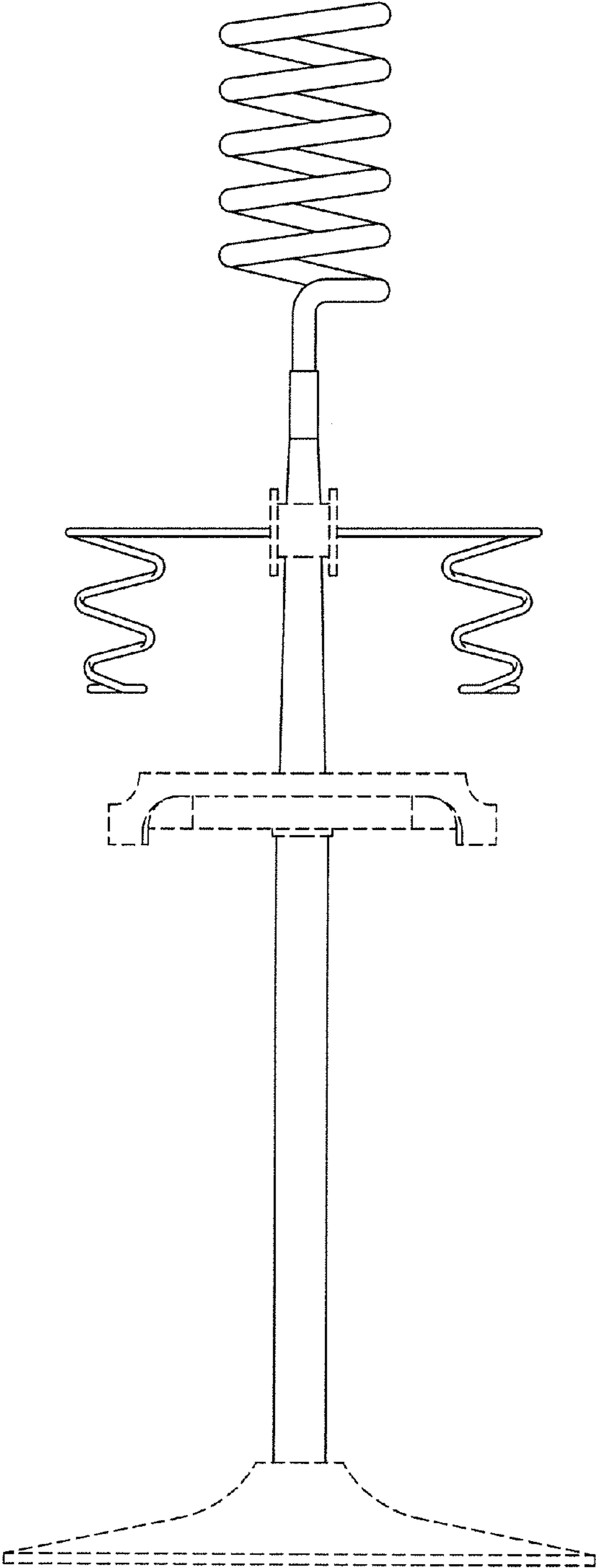


FIG.7