



US00D751763S

(12) **United States Design Patent**
Goodman et al.

(10) **Patent No.:** **US D751,763 S**
(45) **Date of Patent:** **** Mar. 15, 2016**

(54) **STYLING CADDY**
(71) Applicant: **Spectrum Diversified Designs, Inc.**,
Streetsboro, OH (US)
(72) Inventors: **Sheldon H. Goodman**, Solon, OH (US);
Phaysouk Xayoiphonh, Akron, OH
(US); **Jennifer K. Case**, Middleburg
Heights, OH (US)

5,875,902 A * 3/1999 Emery A47F 5/13
108/29
D479,073 S * 9/2003 Snell D6/525
D479,663 S * 9/2003 Snell D6/525
D584,056 S * 1/2009 Ghiorghie D3/304
D588,814 S * 3/2009 Ghiorghie D3/304
D588,815 S * 3/2009 Ghiorghie D3/304
D616,680 S * 6/2010 Snider D6/513
D617,126 S * 6/2010 Snider D6/513

(Continued)

(73) Assignee: **Spectrum Diversified Designs, LLC**,
Streetsboro, OH (US)

OTHER PUBLICATIONS

Wayfair.com, "hair dryer" tagged items under all bathroom accessories. Accessed on Oct. 6, 2015. (<http://www.wayfair.com/filters/All-Bathroom-Accessories-I363-c1773103-q-hair+dryer.html>).*

(Continued)

(**) Term: **14 Years**

Primary Examiner — Jennifer Rivard
Assistant Examiner — April Rivas

(21) Appl. No.: **29/495,464**

(74) *Attorney, Agent, or Firm* — Benesch, Friedlander,
Coplan & Aronoff, LLP

(22) Filed: **Jul. 1, 2014**

(51) **LOC (10) Cl.** **28-03**

(52) **U.S. Cl.**
USPC **D28/73**; D26/38; D6/513; D6/566

(58) **Field of Classification Search**
USPC D28/73, 77, 38; D6/567, 566, 528, 531,
D6/527, 524, 525, 526, 537, 553, 513,
D6/562; D7/600.1–600.4, 704; D8/373,
D8/366, 352, 356, 376, 380; 248/317
CPC A45D 44/04; A45D 20/00; A45D 20/12;
A45D 2020/126; A45D 2020/128; A45D
44/02; A45D 2001/002; A45D 20/16; A47F
5/00; A47F 5/01; A47F 5/13
See application file for complete search history.

(57) **CLAIM**

What is claimed is the ornamental design for a styling caddy,
as shown and described.

DESCRIPTION

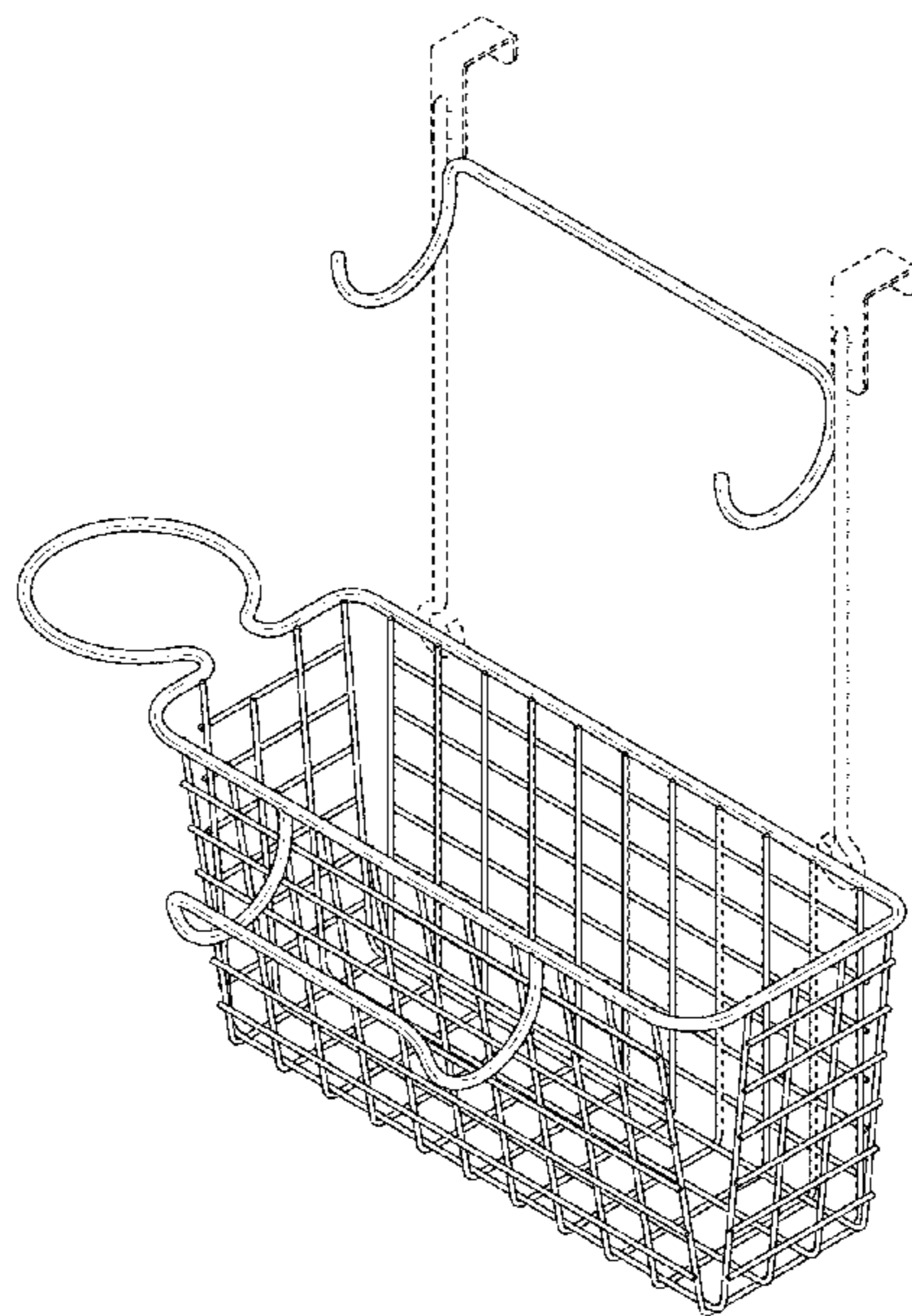
FIG. 1 is a perspective view of a styling caddy showing a new design;
FIG. 2 is a front view of the styling caddy of FIG. 1;
FIG. 3 is a right side view of the styling caddy of FIG. 1;
FIG. 4 is a rear view of the styling caddy of FIG. 1;
FIG. 5 is a top view of the styling caddy of FIG. 1; and,
FIG. 6 is a bottom view of the styling caddy of FIG. 1.
The components of the display shown in broken lines illustrate portions of the styling caddy form no part of the claimed design.

(56) **References Cited**

U.S. PATENT DOCUMENTS

759,025 A * 5/1904 Schiele A47F 5/01
160/352
D267,841 S * 2/1983 Leslie D12/16
D365,481 S * 12/1995 McKeon D30/118

1 Claim, 3 Drawing Sheets



(56)

References Cited

U.S. PATENT DOCUMENTS

D628,385 S	*	12/2010	Klein	D6/513
D650,209 S	*	12/2011	Snider	D6/513
D693,577 S	*	11/2013	Goodman	D3/306
D698,186 S	*	1/2014	Funchess	D6/552
D718,054 S	*	11/2014	Goodman	D3/306
D723,302 S	*	3/2015	Goodman	D6/566
D728,255 S	*	5/2015	Guindi	D6/513

OTHER PUBLICATIONS

Google.com image search "under cabinet hair dryer holder", date restricted to show results prior to Jun. 24, 2013. Accessed Oct. 9, 2015.*

Amazon.com, "BINO Large Over-the-Cabinet Hair Care Organizer", reviewed on Oct. 21, 2015. (http://www.amazon.com/BINO-Large--Cabinet-Organizer-Bronze/dp/B013RHYP8A/ref=sr_1_15?m=A1ZH5QV3CZN7LF&s=merchant-items&ie=UTF8&qid=1444839822&sr=1-15).*

* cited by examiner

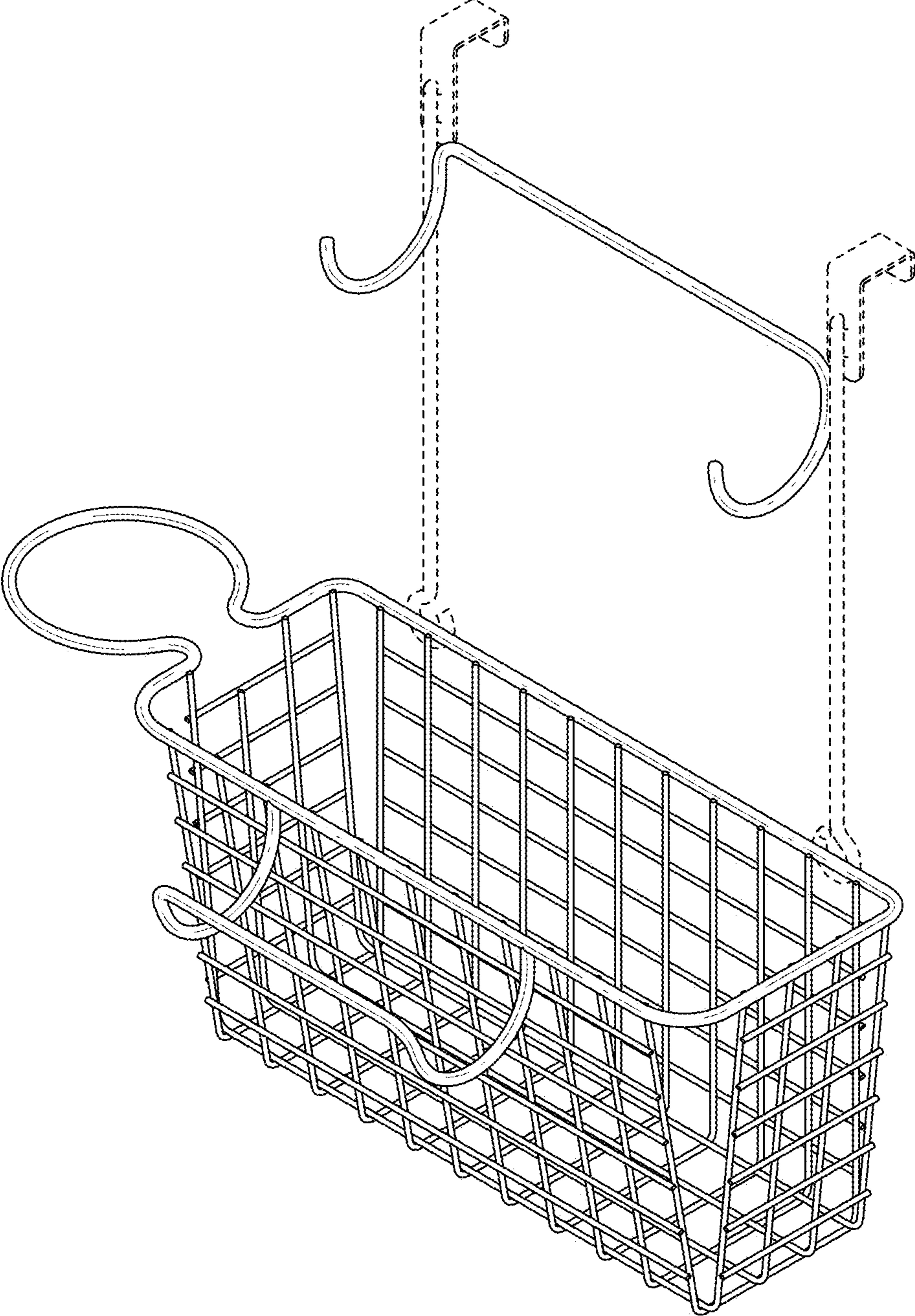


FIG. 1

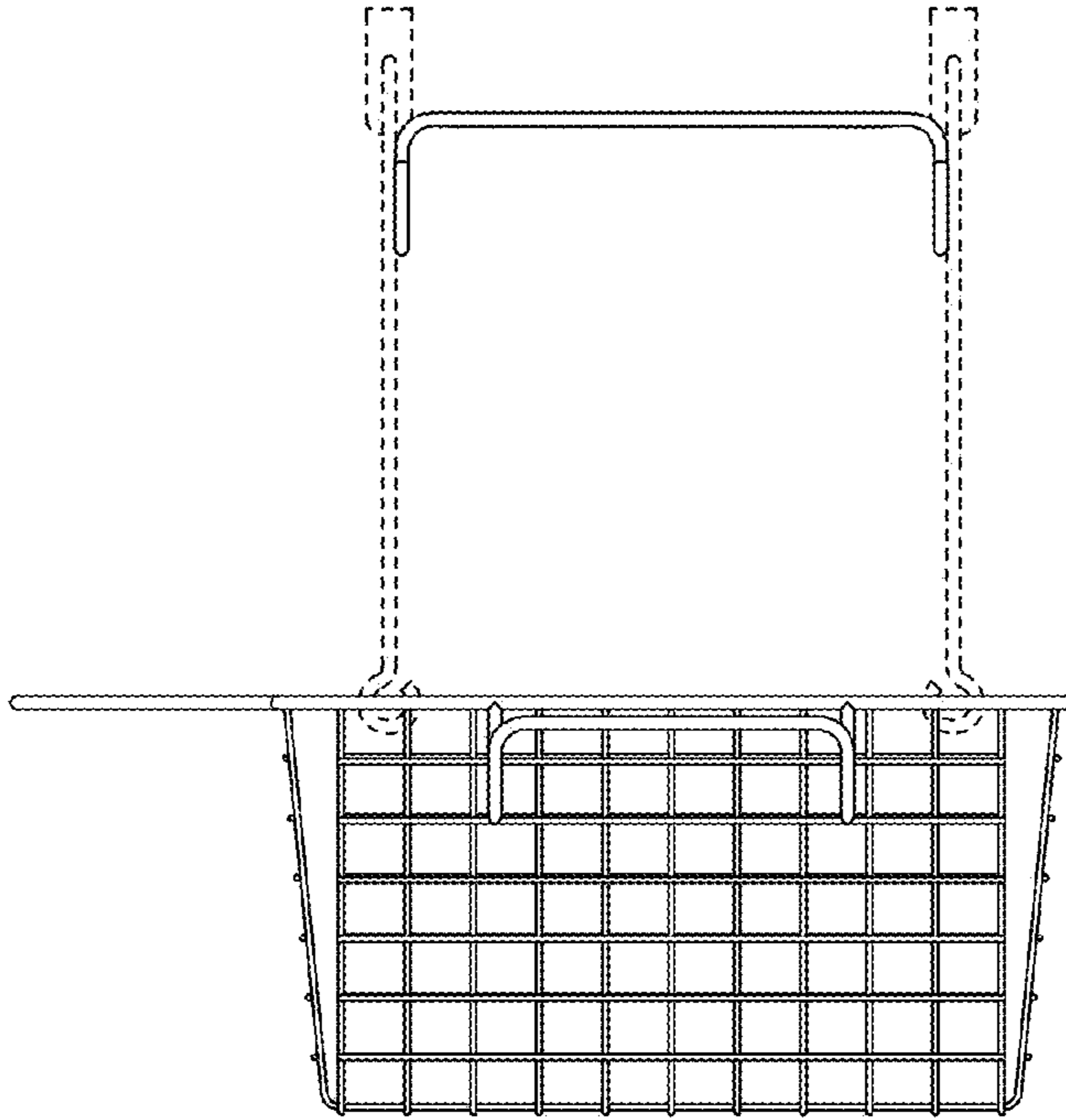


FIG. 2

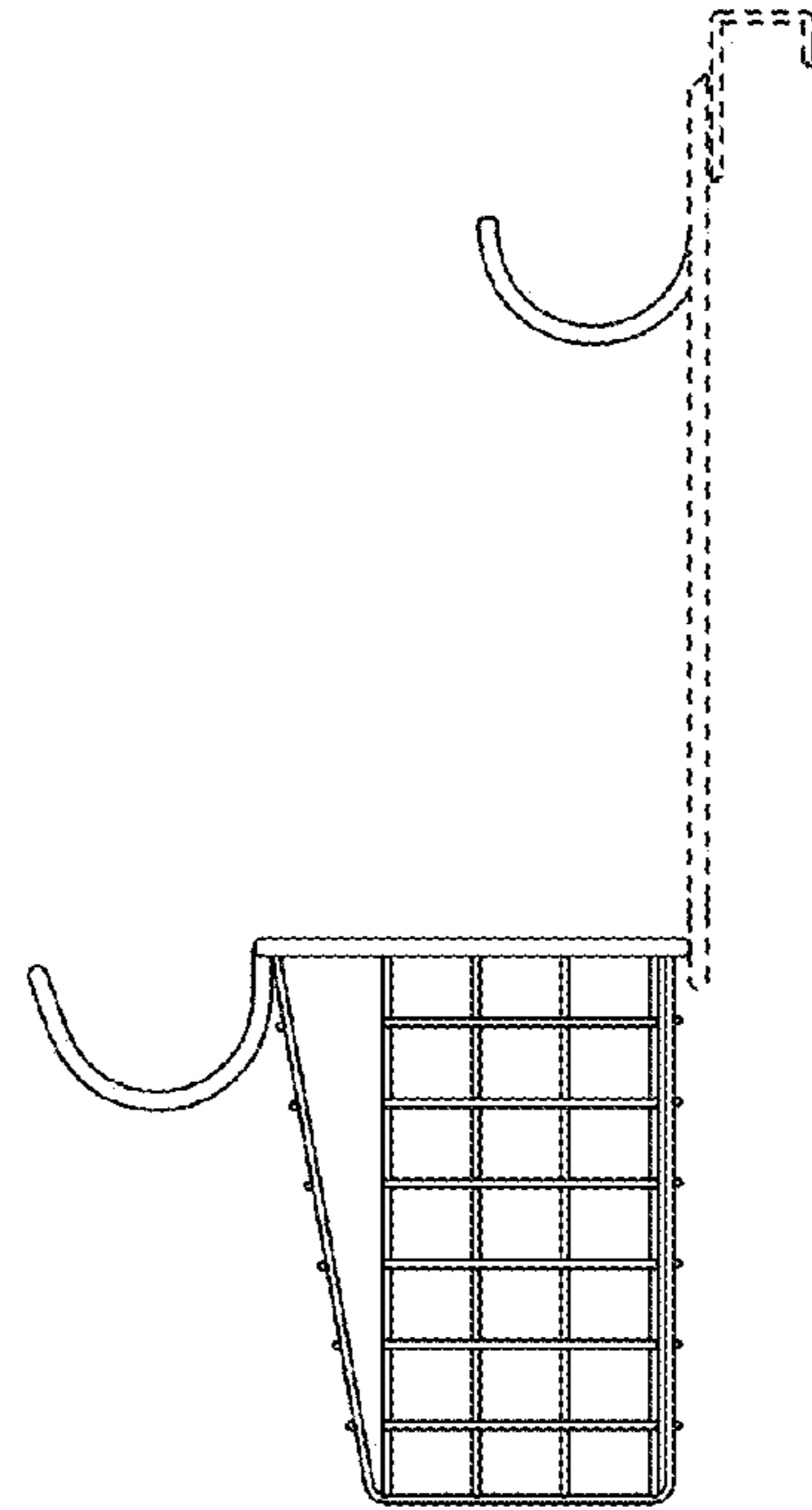


FIG. 3

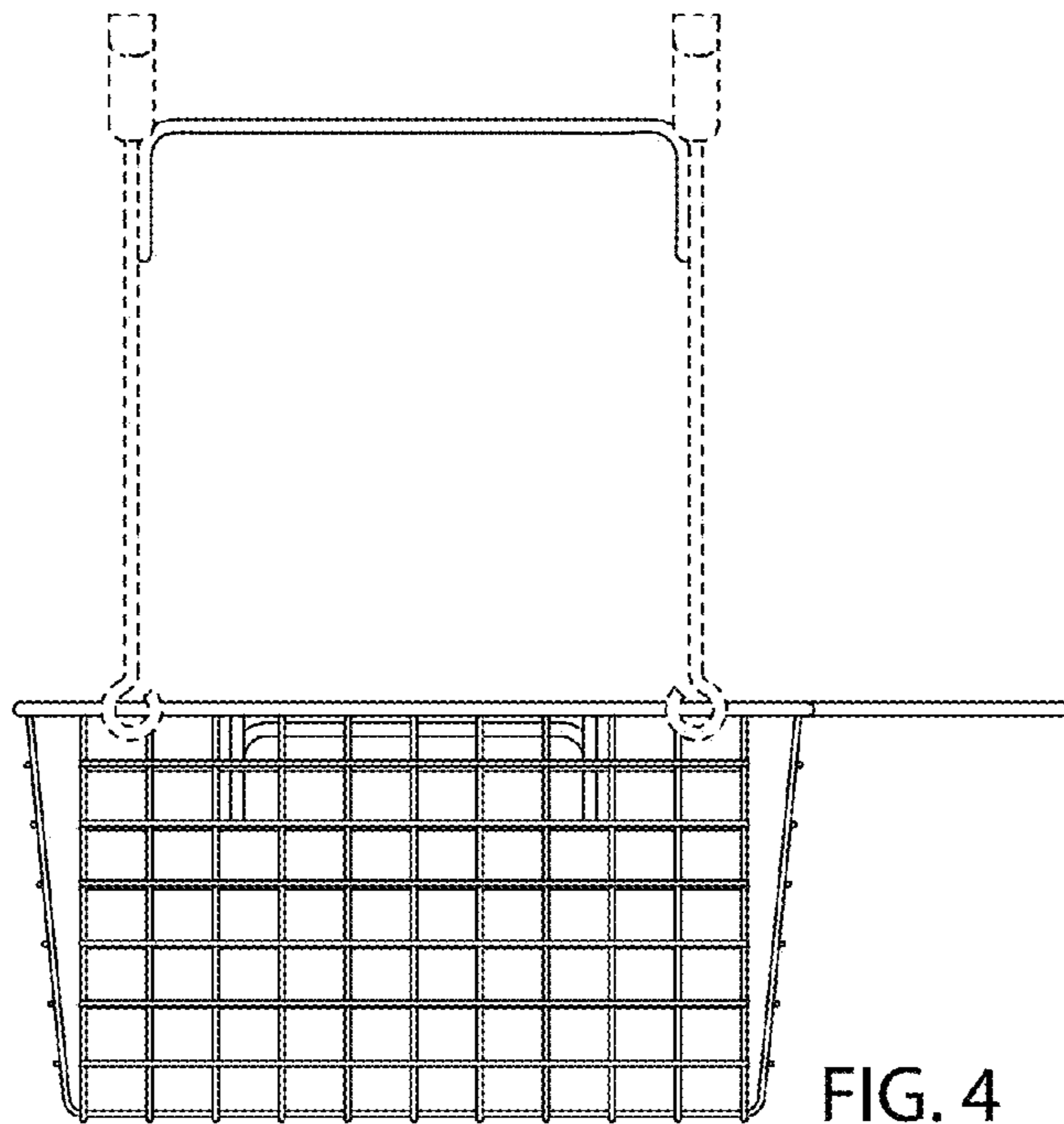


FIG. 4

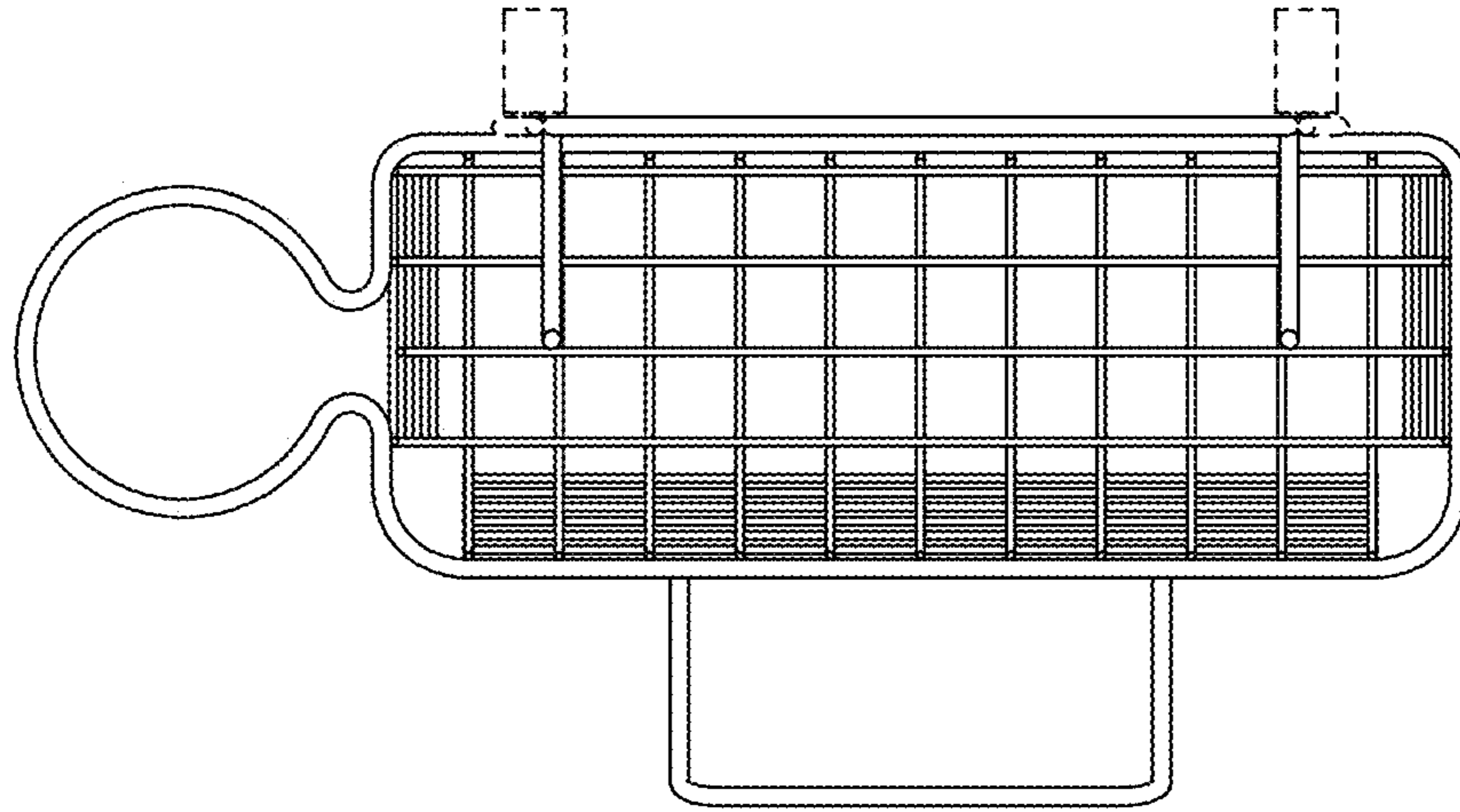


FIG. 5

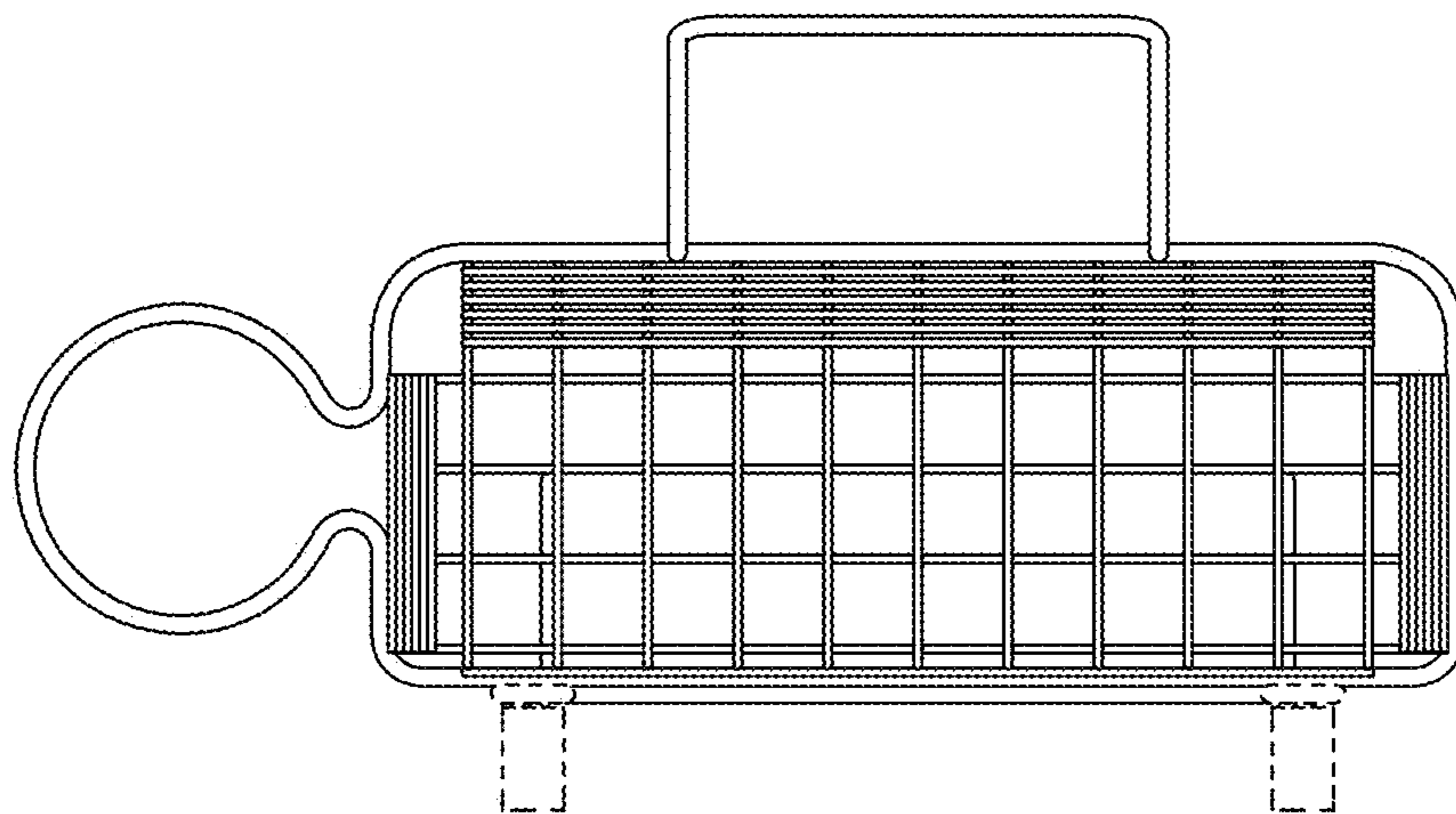


FIG. 6