



US00D751755S

(12) **United States Design Patent**
Van Riper

(10) **Patent No.:** **US D751,755 S**
(45) **Date of Patent:** **** Mar. 15, 2016**

- (54) **DEVICE FOR SUPPORTING AN ELECTRONIC CIGARETTE**
- (71) Applicant: **Donald Van Riper**, Spring Hill, FL (US)
- (72) Inventor: **Donald Van Riper**, Spring Hill, FL (US)
- (**) Term: **14 Years**
- (21) Appl. No.: **29/507,131**
- (22) Filed: **Oct. 24, 2014**
- (51) **LOC (10) Cl.** **27-06**
- (52) **U.S. Cl.**
USPC **D27/183; D12/223**
- (58) **Field of Classification Search**
USPC D27/127, 129, 134, 135, 172, 181, 183,
D27/187, 189, 191, 175, 176, 182, 193;
D28/77, 83; D3/313; D7/553.4;
D22/147, 148; D12/223, 114; 131/257,
131/258, 259
CPC A24F 15/00; A24F 15/08; A24F 19/10;
A24F 21/00; A24F 15/20; A24F 13/22;
B65D 85/10
See application file for complete search history.

- (56) **References Cited**
U.S. PATENT DOCUMENTS
2,021,415 A * 11/1935 Gorman A24F 13/22
131/186
2,498,330 A * 2/1950 Block A24F 13/18
131/256
D390,308 S * 2/1998 Sieland D22/147
(Continued)

Primary Examiner — Susan Bennett Hattan
Assistant Examiner — Janice Hallmark
(74) *Attorney, Agent, or Firm* — Lonnie R Drayer

(57) **CLAIM**
The ornamental design for a device for supporting an electronic cigarette, as shown and described.

DESCRIPTION

FIG. 1 is a first perspective view looking in a first direction of a first embodiment of a device for supporting an electronic cigarette;

FIG. 2 is a second perspective view looking in a second direction opposite of the first direction of the first embodiment of the device for supporting an electronic cigarette;

FIG. 3 is a front view of the first embodiment of the device for supporting an electronic cigarette;

FIG. 4 is a rear view of the first embodiment of the device for supporting an electronic cigarette;

FIG. 5 is a side view looking towards one side of the first embodiment of the device for supporting an electronic cigarette;

FIG. 6 is a side view looking towards an opposite side of the first embodiment of the device for supporting an electronic cigarette;

FIG. 7 is a top view looking down on the first embodiment of the device for supporting an electronic cigarette; and

FIG. 8 is a bottom view looking up towards the first embodiment of the device for supporting an electronic cigarette.

FIG. 9 is a first perspective view looking in a first direction of a second embodiment of a device for supporting an electronic cigarette;

FIG. 10 is a second perspective view looking in a second direction opposite of the first direction of the second embodiment of the device for supporting an electronic cigarette;

FIG. 11 is a front view of the second embodiment of the device for supporting an electronic cigarette;

FIG. 12 is a rear view of the second embodiment of the device for supporting an electronic cigarette;

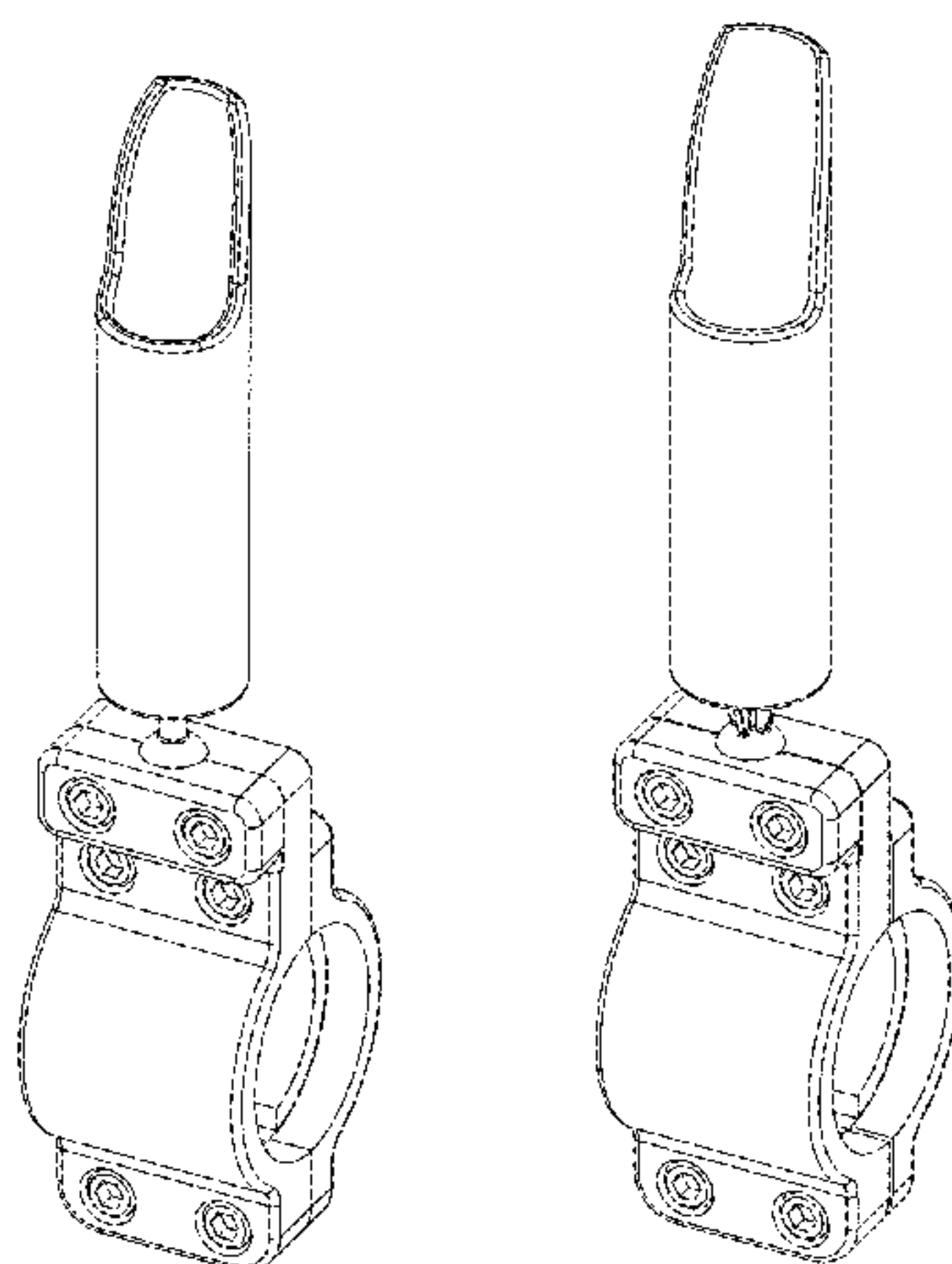
FIG. 13 is a side view looking towards one side of the second embodiment of the device for supporting an electronic cigarette;

FIG. 14 is a side view looking towards an opposite side of the second embodiment of the device for supporting an electronic cigarette;

FIG. 15 is a top view looking down on the second embodiment of the device for supporting an electronic cigarette; and

FIG. 16 is a bottom view looking up towards the second embodiment of the device for supporting an electronic cigarette.

1 Claim, 10 Drawing Sheets



(56)

References Cited

U.S. PATENT DOCUMENTS

D391,217 S * 2/1998 Pingel D12/114
6,186,383 B1 * 2/2001 Kobdish B62J 6/00
224/420
D449,029 S * 10/2001 Hanson D12/162
D449,268 S * 10/2001 Hanson D12/162
D483,436 S * 12/2003 Tull D22/147
D520,440 S * 5/2006 Lee D12/223

D578,057 S * 10/2008 Frenock D11/182
D647,434 S * 10/2011 Chambers D12/114
D652,365 S * 1/2012 Lindloff D12/223
8,334,671 B1 * 12/2012 Mosiello B62J 11/00
320/107
D735,935 S * 8/2015 Burrell D27/183
2004/0004067 A1 * 1/2004 Scaccia B62K 23/00
219/267
2005/0051183 A1 * 3/2005 Coulthard A24F 13/18
131/256

* cited by examiner

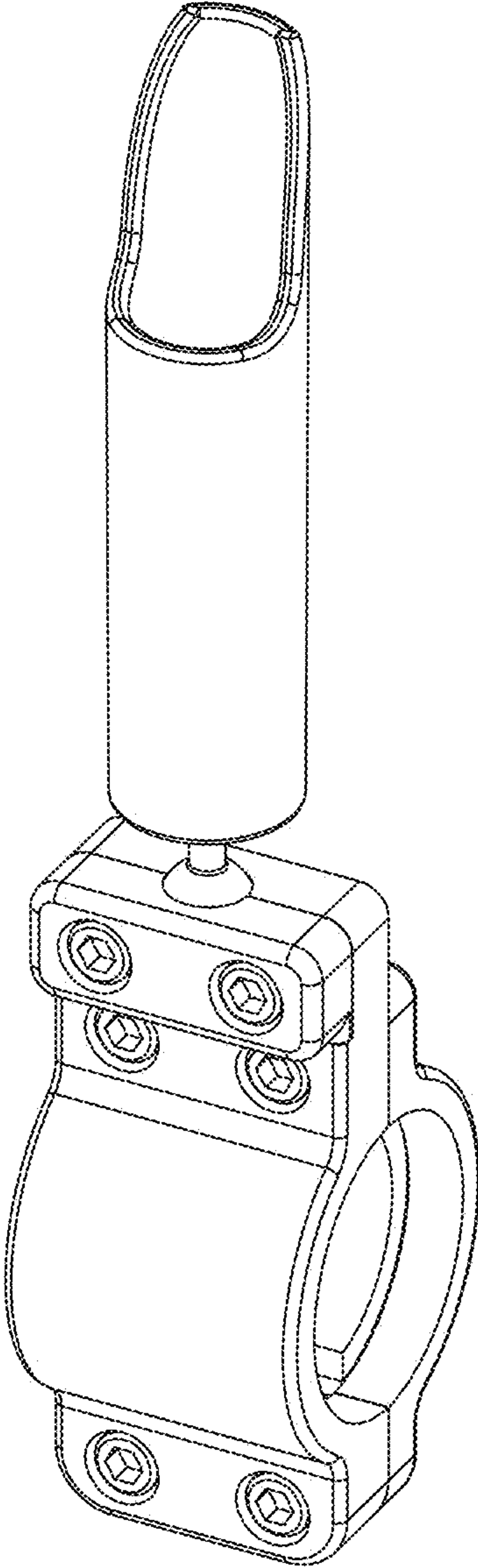


Fig. 1

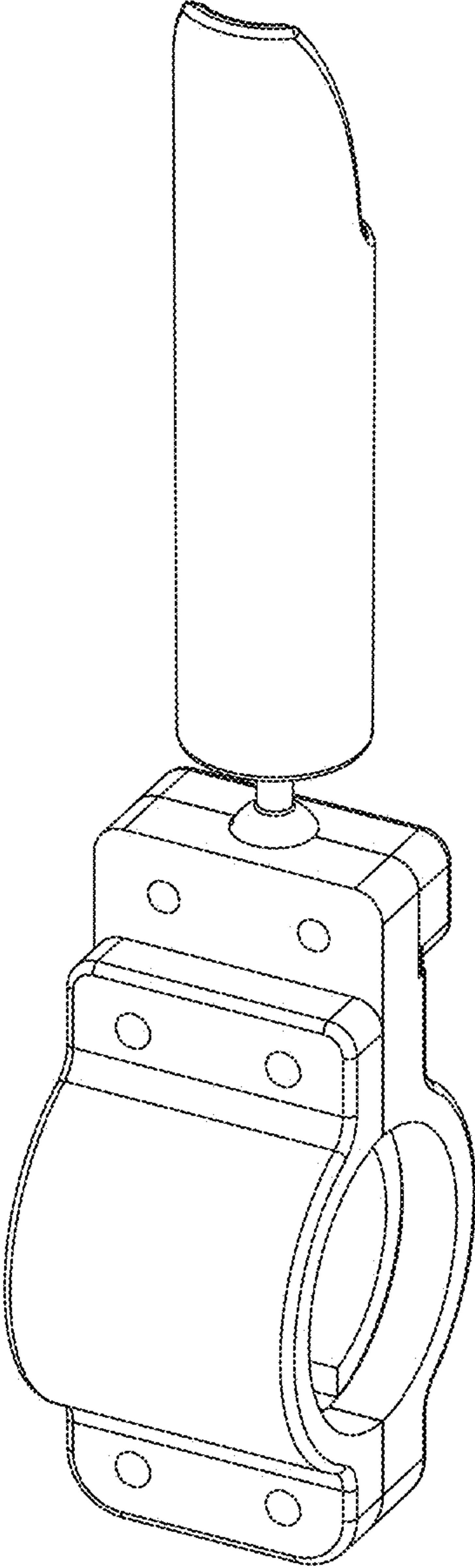


Fig. 2

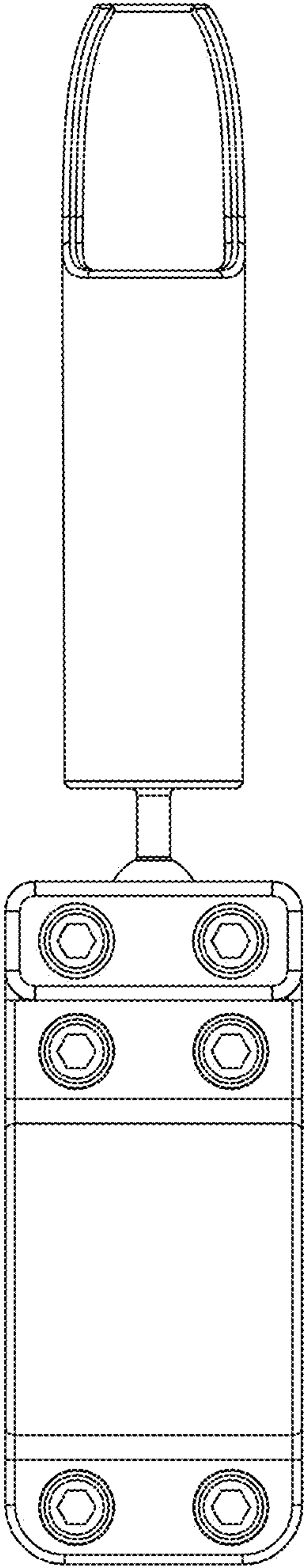


Fig. 3

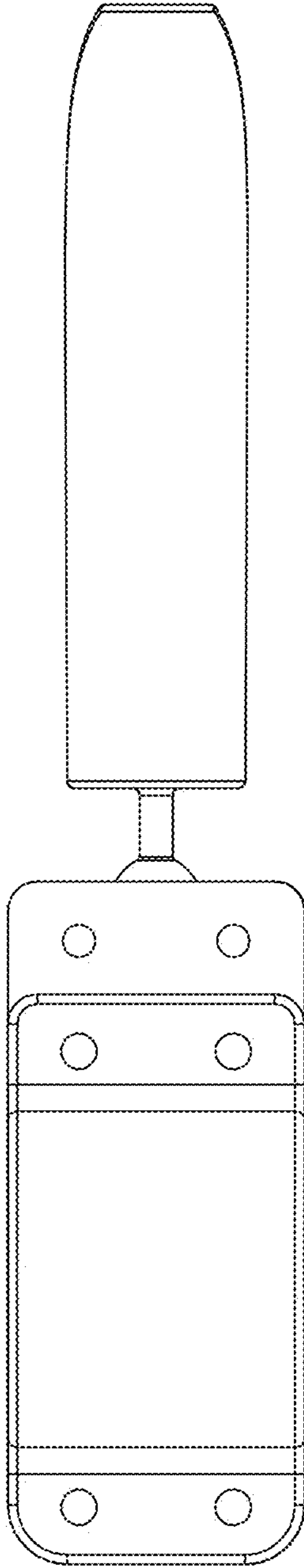


Fig. 4

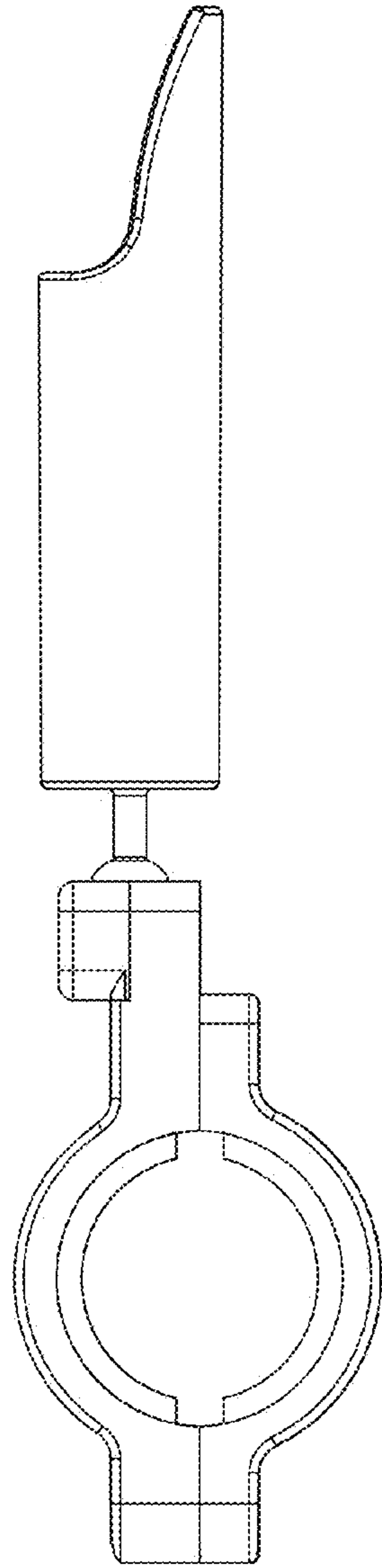


Fig. 5

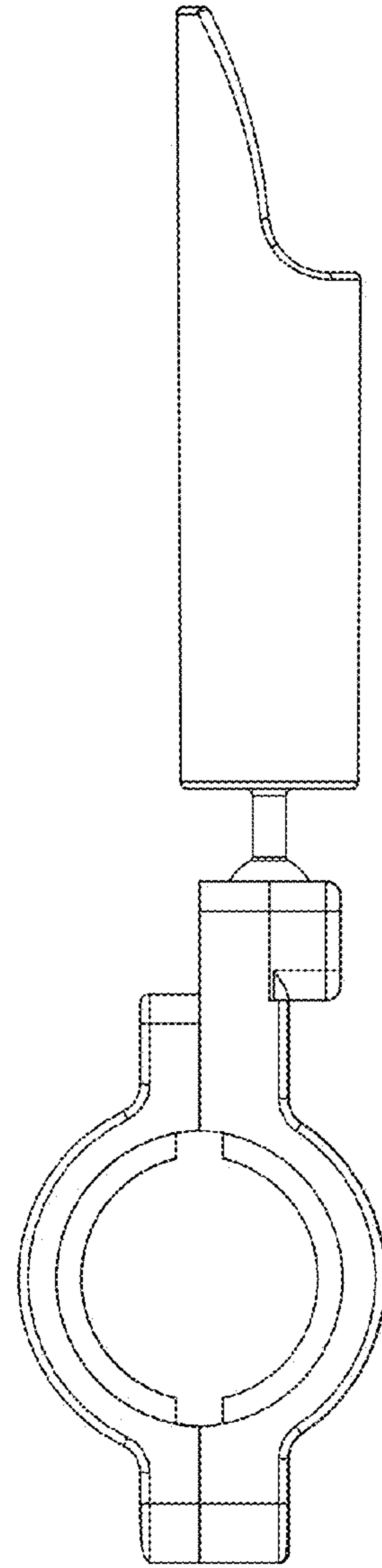


Fig. 6

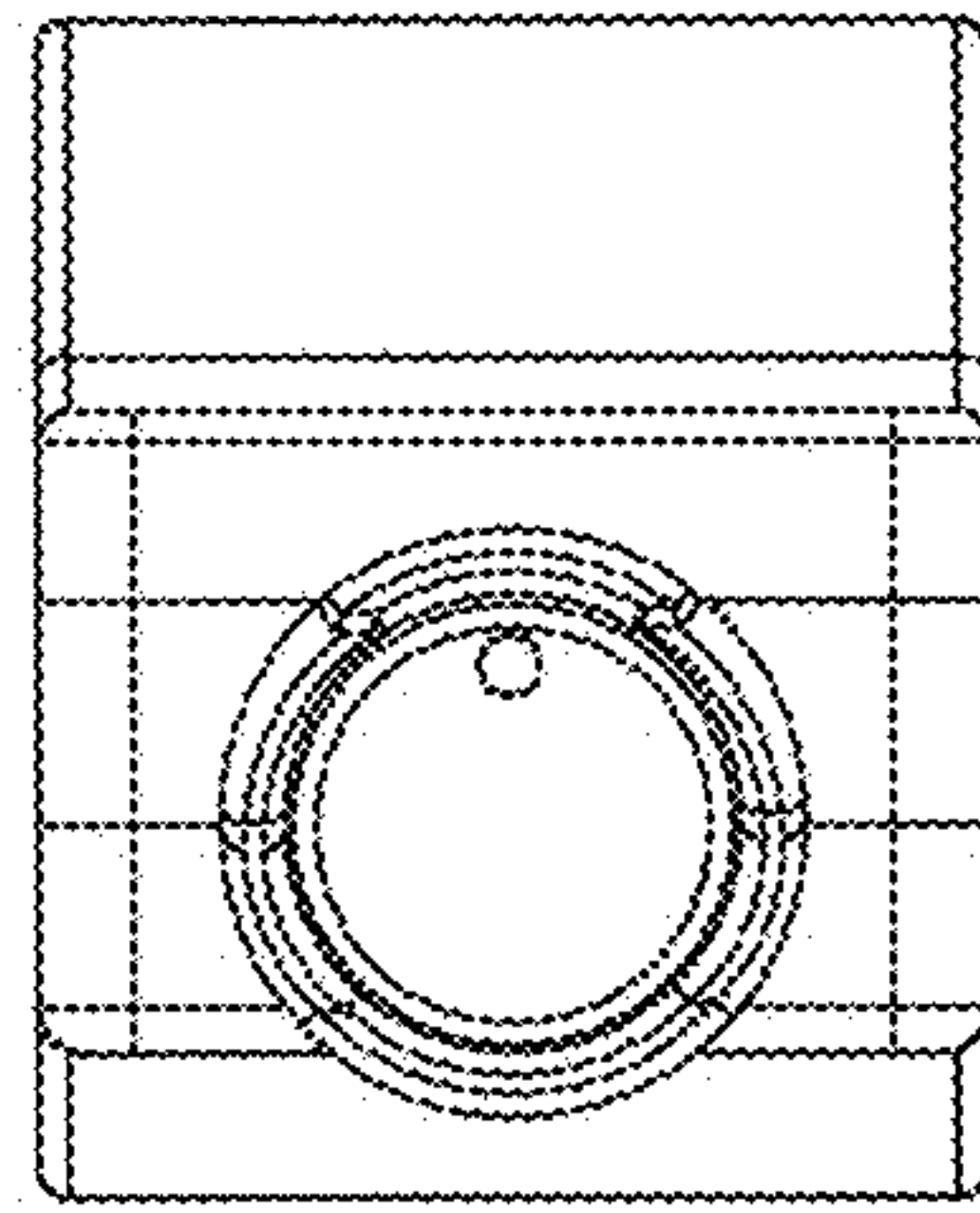


Fig. 7

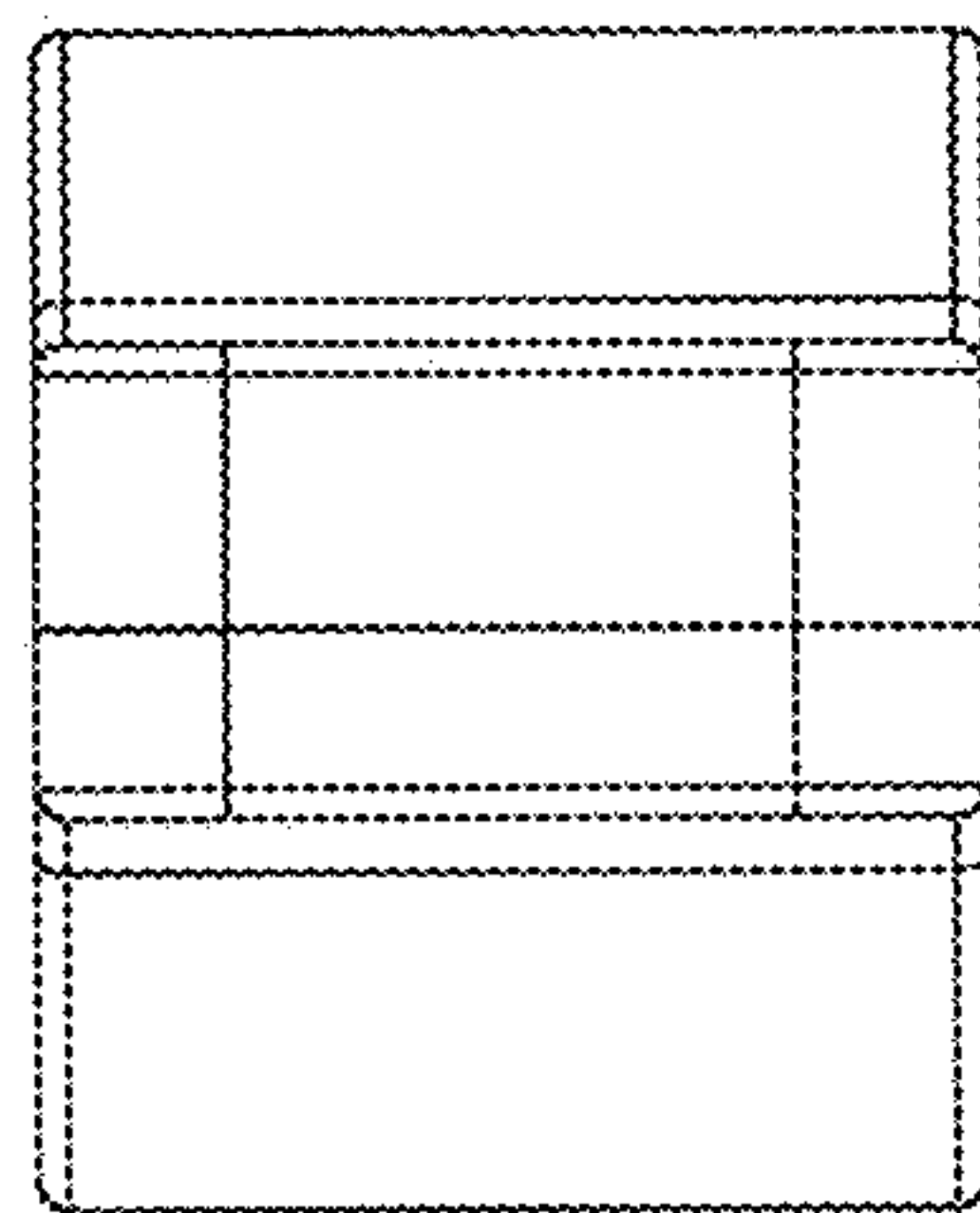


Fig. 8

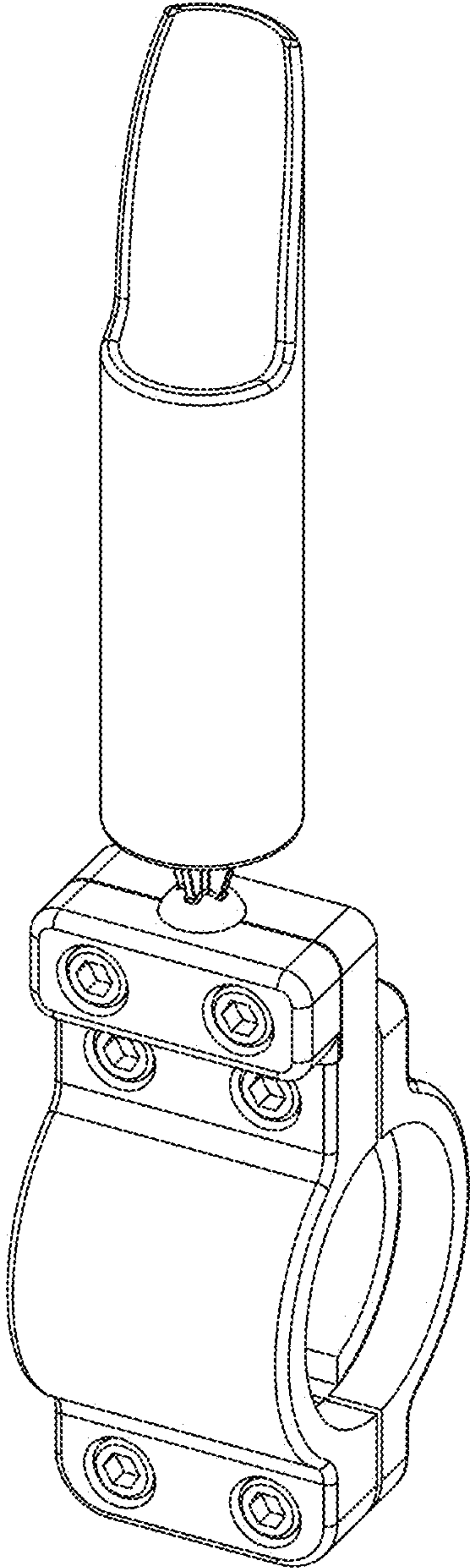


Fig. 9

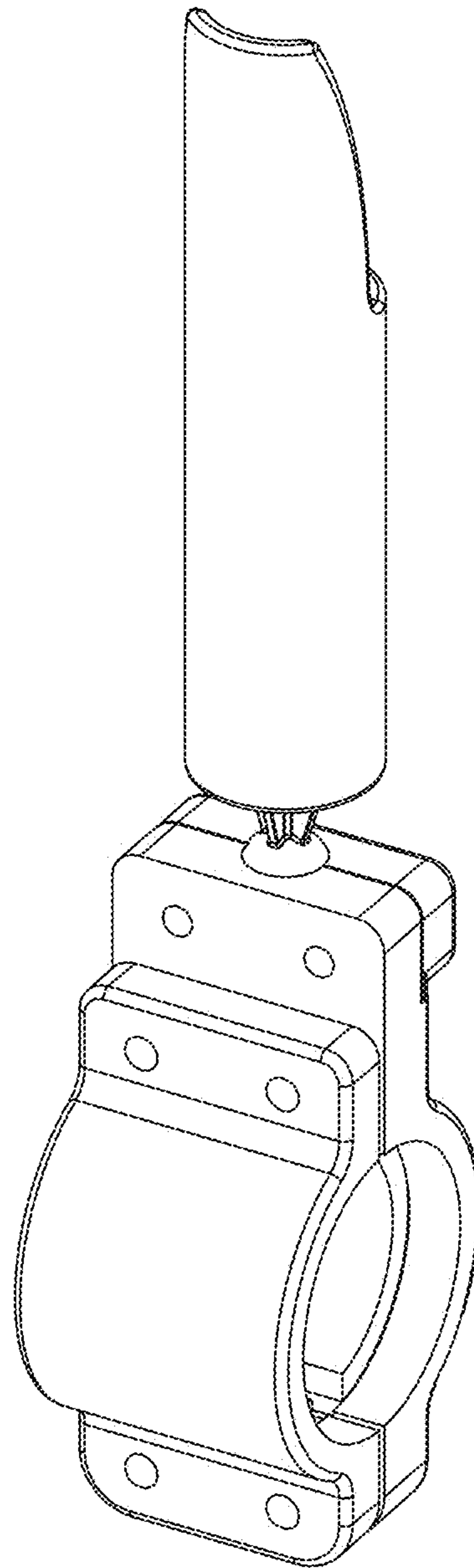


Fig. 10

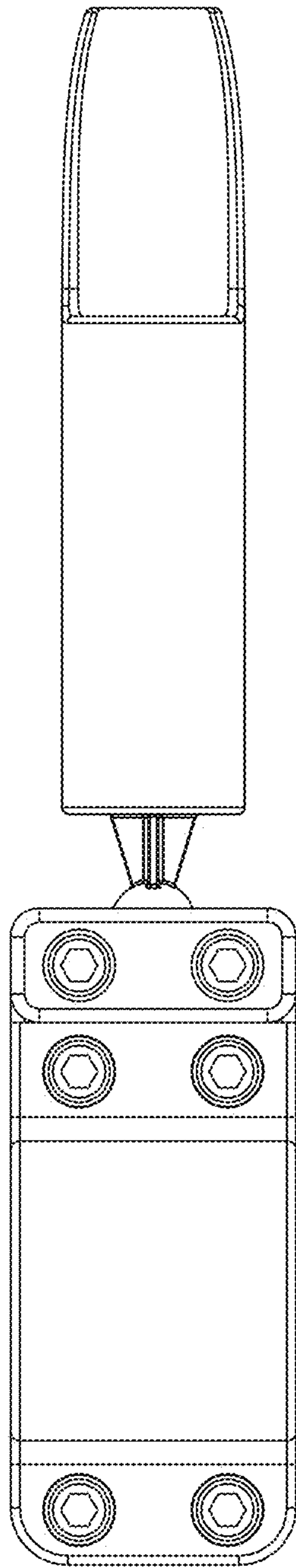


Fig. 11

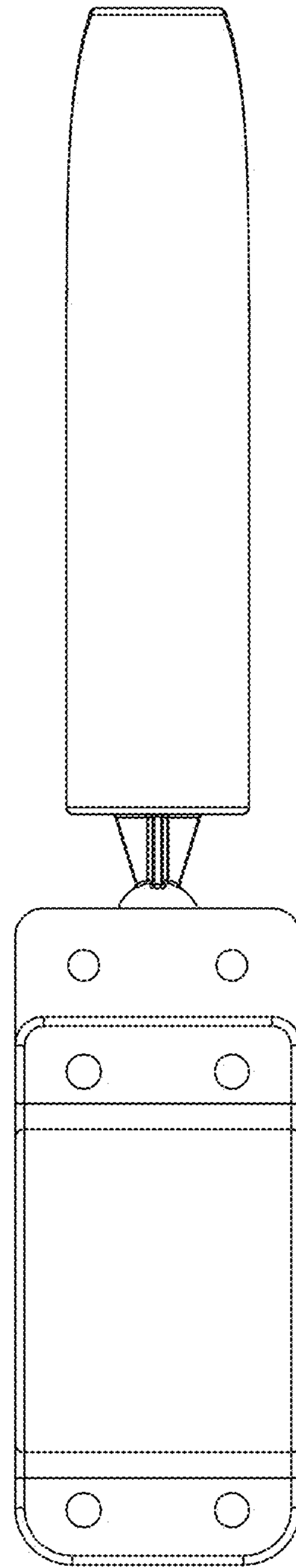


Fig. 12

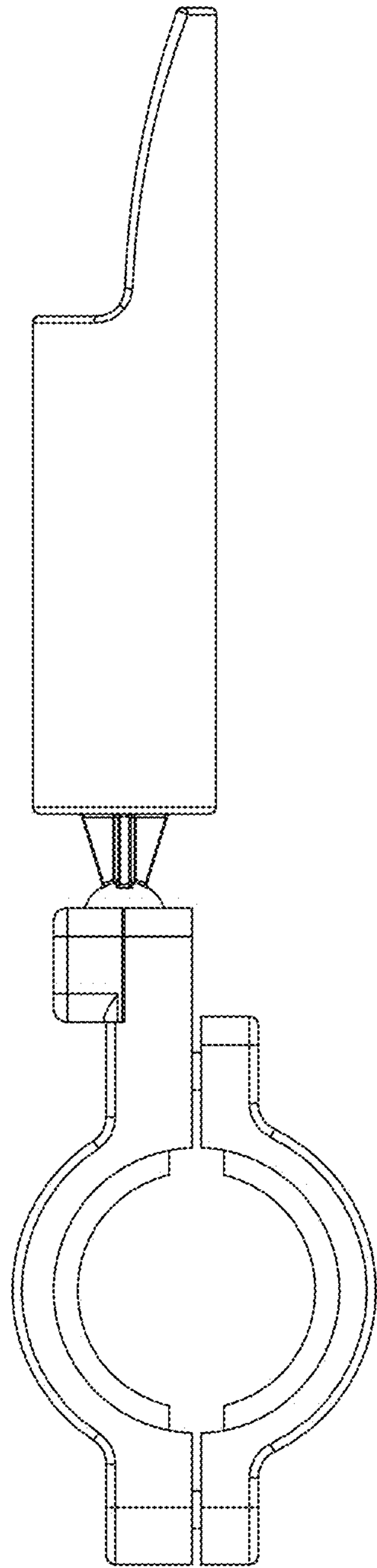


Fig. 13

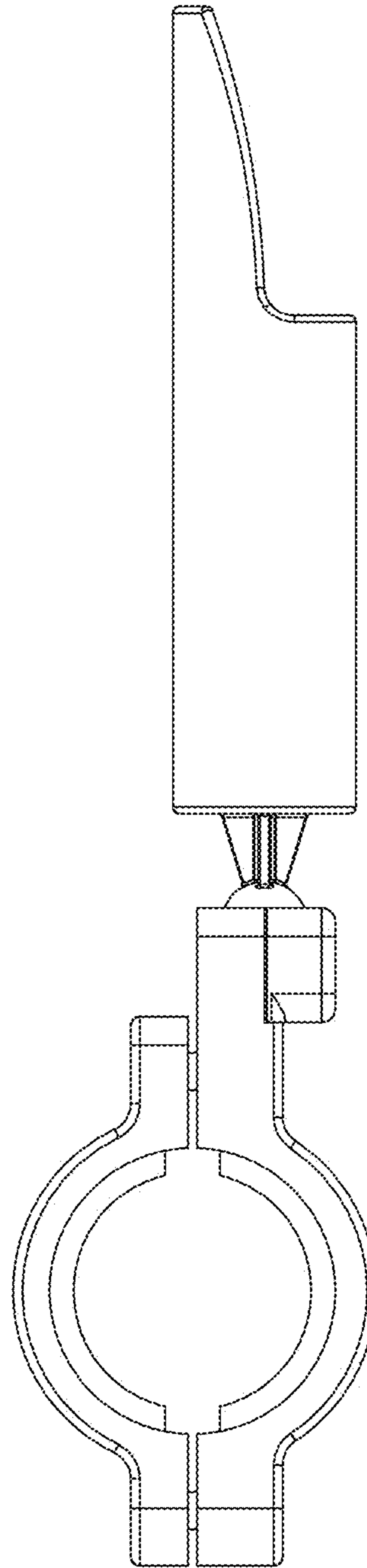


Fig. 14

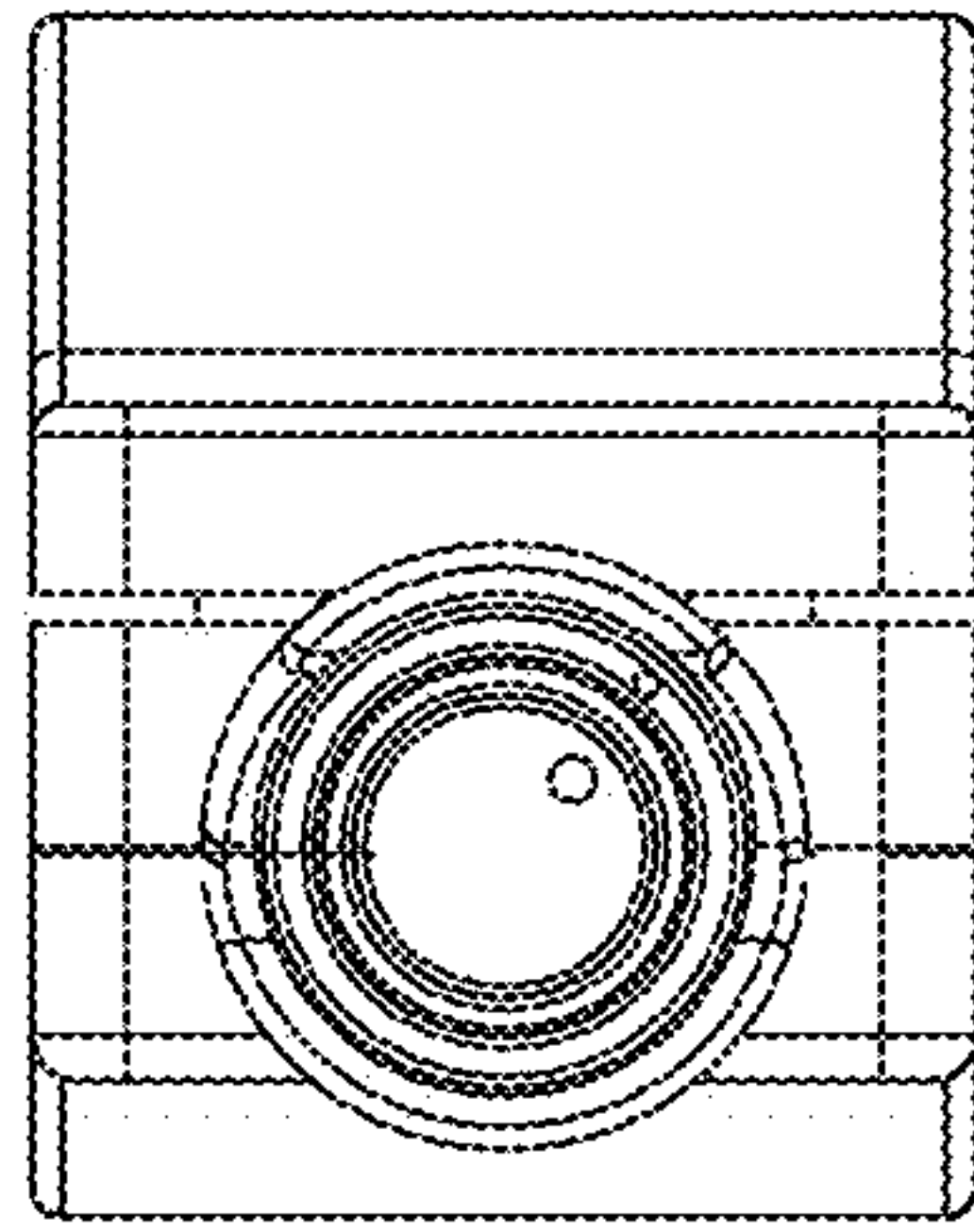


Fig. 15

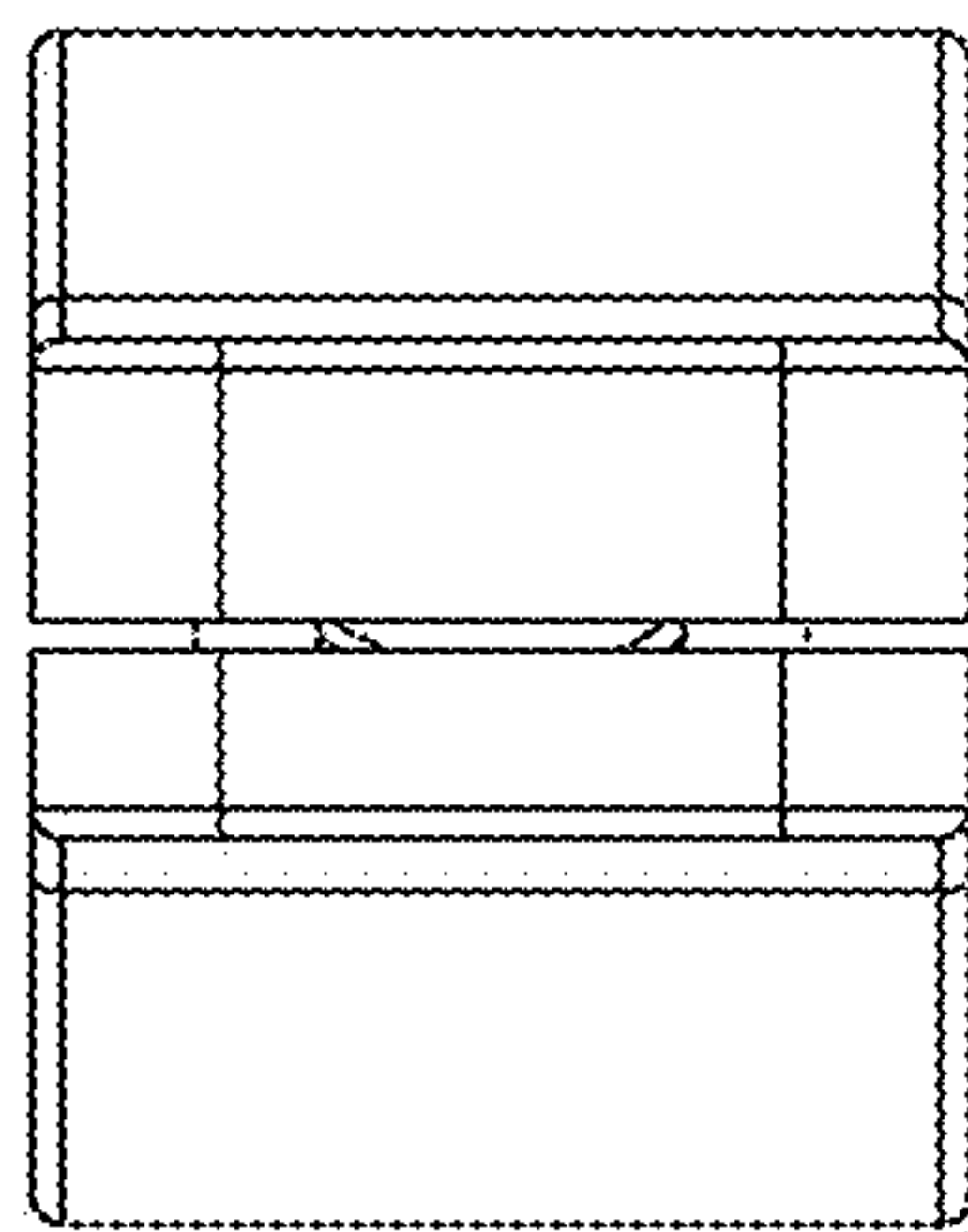


Fig. 16