

US00D751754S

(12) **United States Design Patent**  
**Anthony**

(10) **Patent No.:** **US D751,754 S**

(45) **Date of Patent:** **\*\* \*Mar. 15, 2016**

(54) **ASHTRAY**

(71) Applicant: **Zannini A. Anthony**, Pembroke Pines, FL (US)

(72) Inventor: **Zannini A. Anthony**, Pembroke Pines, FL (US)

(\*) Notice: This patent is subject to a terminal disclaimer.

(\*\*) Term: **14 Years**

(21) Appl. No.: **29/458,543**

(22) Filed: **Jun. 20, 2013**

**Related U.S. Application Data**

(63) Continuation of application No. 13/663,796, filed on Oct. 30, 2012.

(51) **LOC (10) Cl.** ..... **27-03**

(52) **U.S. Cl.**  
USPC ..... **D27/105**

(58) **Field of Classification Search**

USPC ..... D27/103, 105, 106, 119, 125, 134, 135, D27/136, 139, 141, 144, 147, 154, 155, 156, D27/157, 172, 173, 174, 183, 186, 188, 189, D27/194; D34/1, 5, 6, 7, 8, 9, 10; 131/231, 131/241, 242; 431/253, 343

See application file for complete search history.

(56) **References Cited**

**U.S. PATENT DOCUMENTS**

1,729,967 A \* 10/1929 Russell ..... 206/87  
3,446,338 A \* 5/1969 Bozyk ..... 206/250  
D238,187 S \* 12/1975 Carre ..... D27/153  
D311,068 S \* 10/1990 Carson ..... D27/106  
D389,631 S \* 1/1998 Peters ..... D34/1  
D401,012 S \* 11/1998 Montoya ..... D27/187  
D409,792 S \* 5/1999 Milone ..... D27/188  
D434,874 S \* 12/2000 Lehat ..... D27/105  
D523,603 S \* 6/2006 Memari ..... D34/1

D549,916 S \* 8/2007 Skalka ..... D34/1  
D556,376 S \* 11/2007 Smith ..... D27/143  
D566,921 S \* 4/2008 Skalka ..... D34/1  
D612,121 S \* 3/2010 Memari ..... D34/1  
D616,178 S \* 5/2010 Baggenstos ..... D27/172

\* cited by examiner

*Primary Examiner* — Barbara Fox

*Assistant Examiner* — Chelsea Sealey

(74) *Attorney, Agent, or Firm* — Kevin P. Crosby; GrayRobinson, P.A.

(57) **CLAIM**

The ornamental design for an ashtray, as shown and described.

**DESCRIPTION**

FIG. 1 is a left front perspective view of an ashtray showing the new design, showing the clip in an open position.

FIG. 2 is a left front perspective view of the design shown in FIG. 1 with the clip in a closed position.

FIG. 3 is a left front perspective view of the design shown in FIG. 1 with open top.

FIG. 4 is a left front perspective view of the design shown in FIG. 2 with top removed.

FIG. 5 is a top plan view of the design shown in FIG. 1.

FIG. 6 is a bottom plan view of the design shown in FIG. 1.

FIG. 7 is a left side elevational view of the design shown in FIG. 1.

FIG. 8 is a right side elevational view of the design shown in FIG. 1.

FIG. 9 is a rear elevational view of the design shown in FIG. 1.

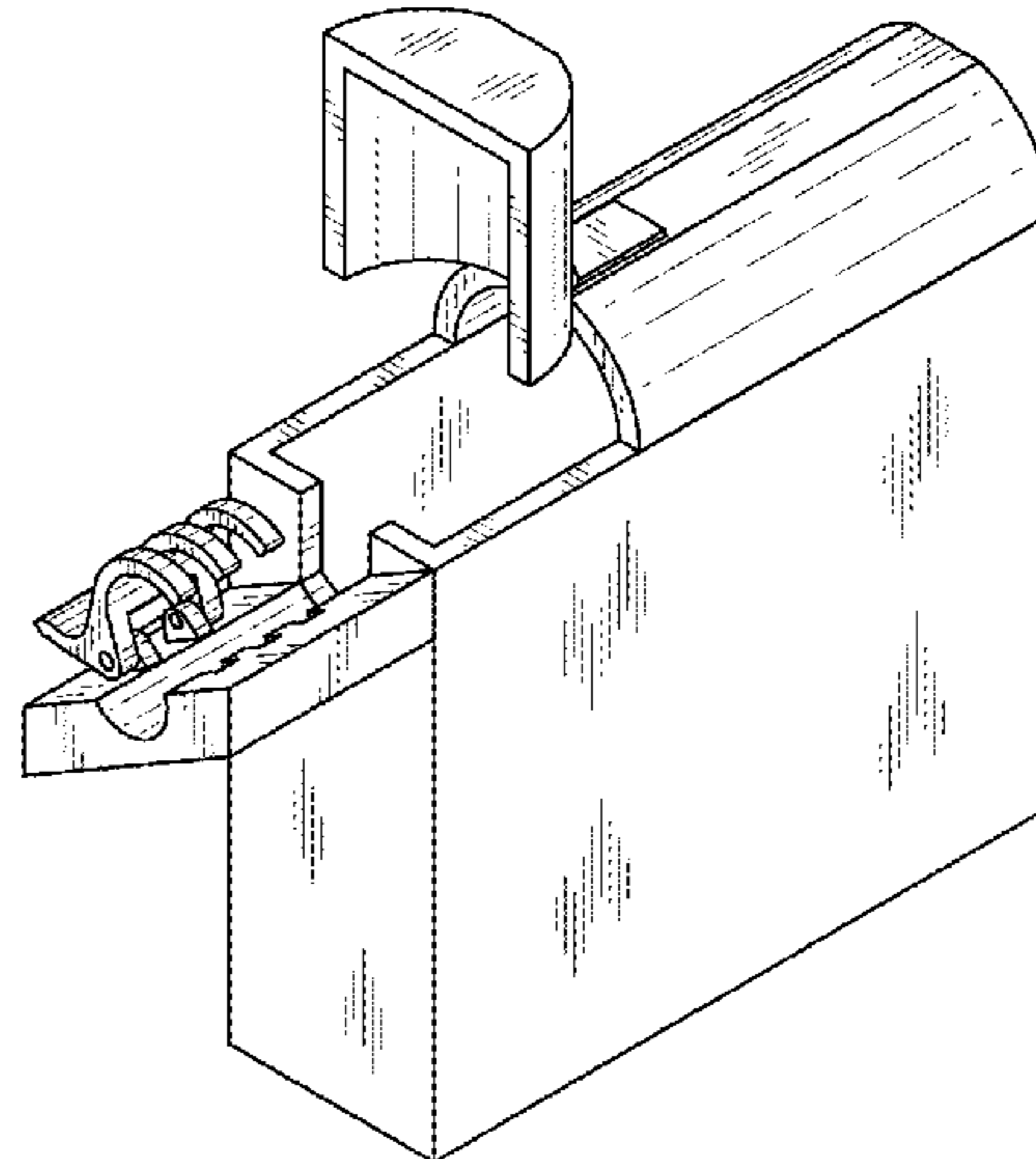
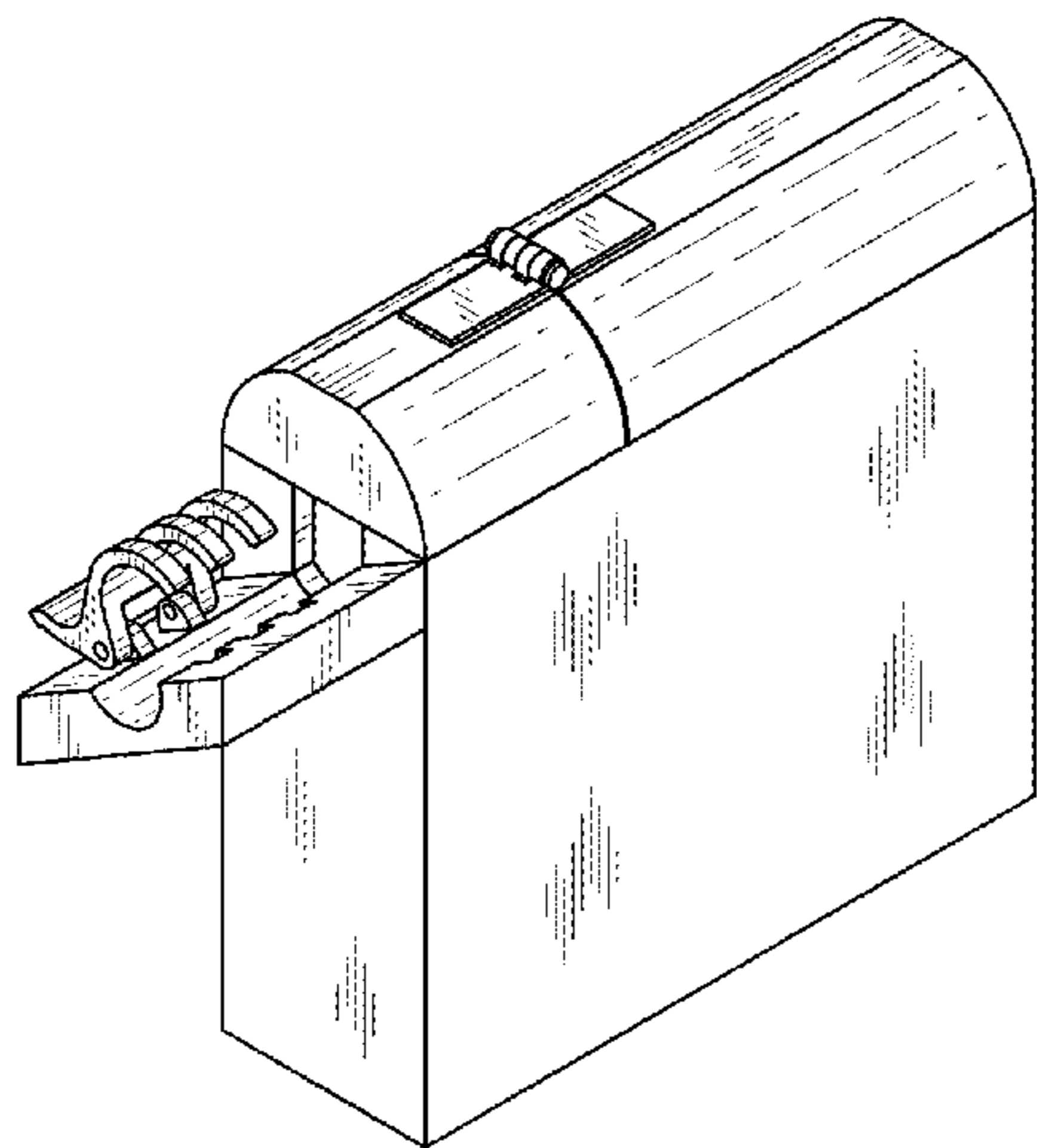
FIG. 10 is a front elevational view of the design shown in FIG. 1.

FIG. 11 is a right front perspective view of the design shown in FIG. 1.

FIG. 12 is a right rear perspective view of the design shown in FIG. 1; and,

FIG. 13 is a left rear perspective view of the design shown in FIG. 1.

**1 Claim, 7 Drawing Sheets**



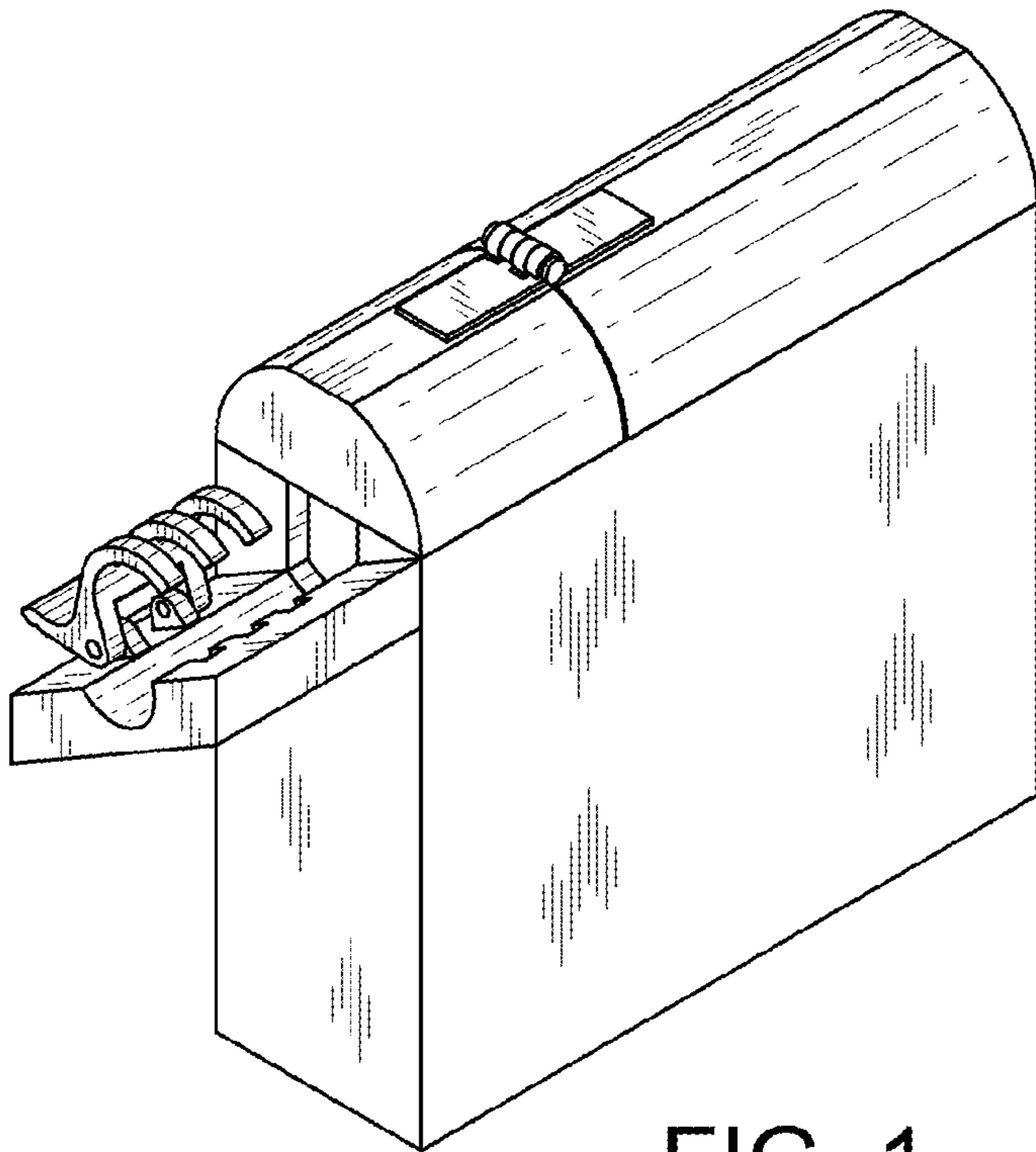


FIG. 1

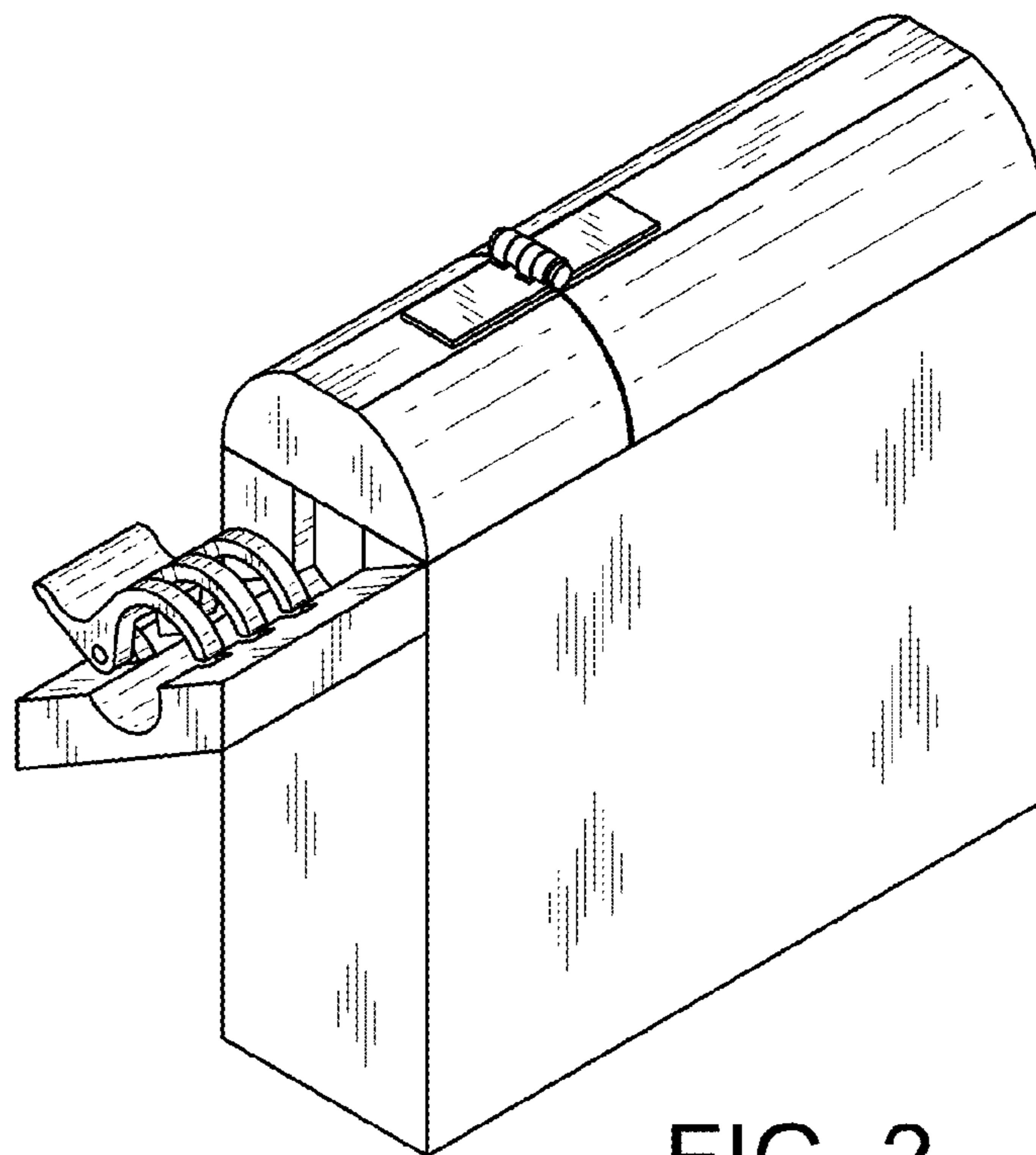


FIG. 2

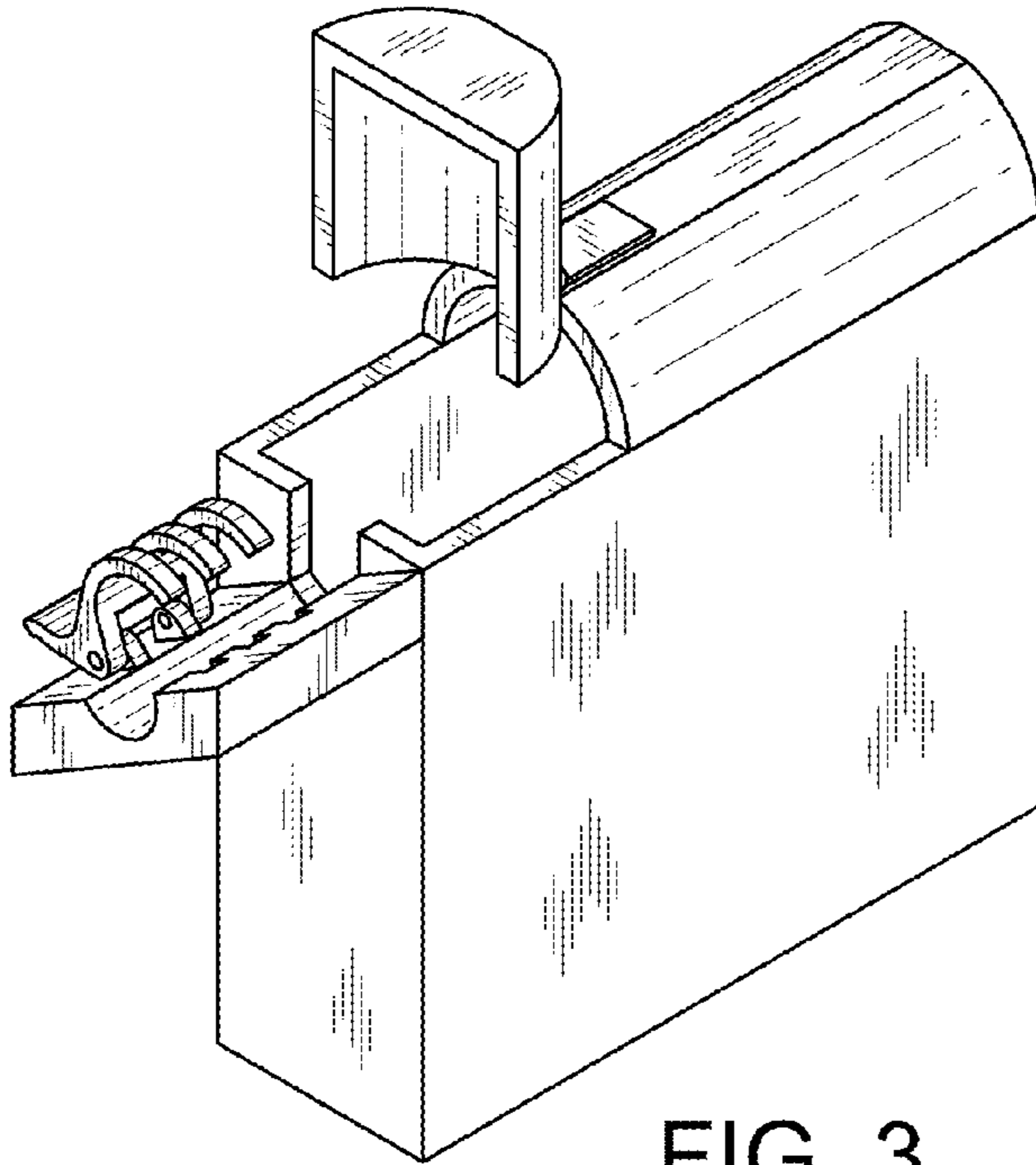


FIG. 3

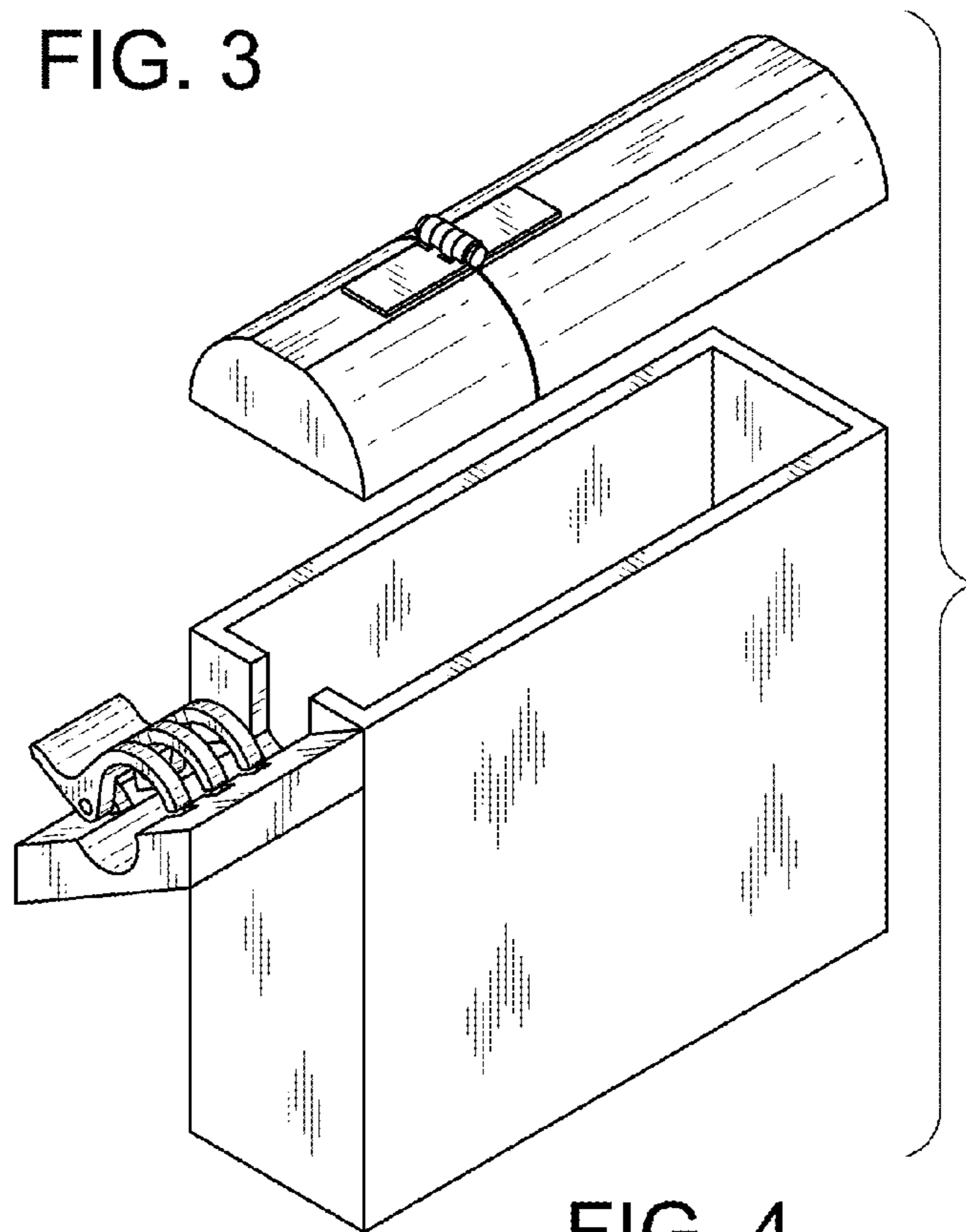


FIG. 4

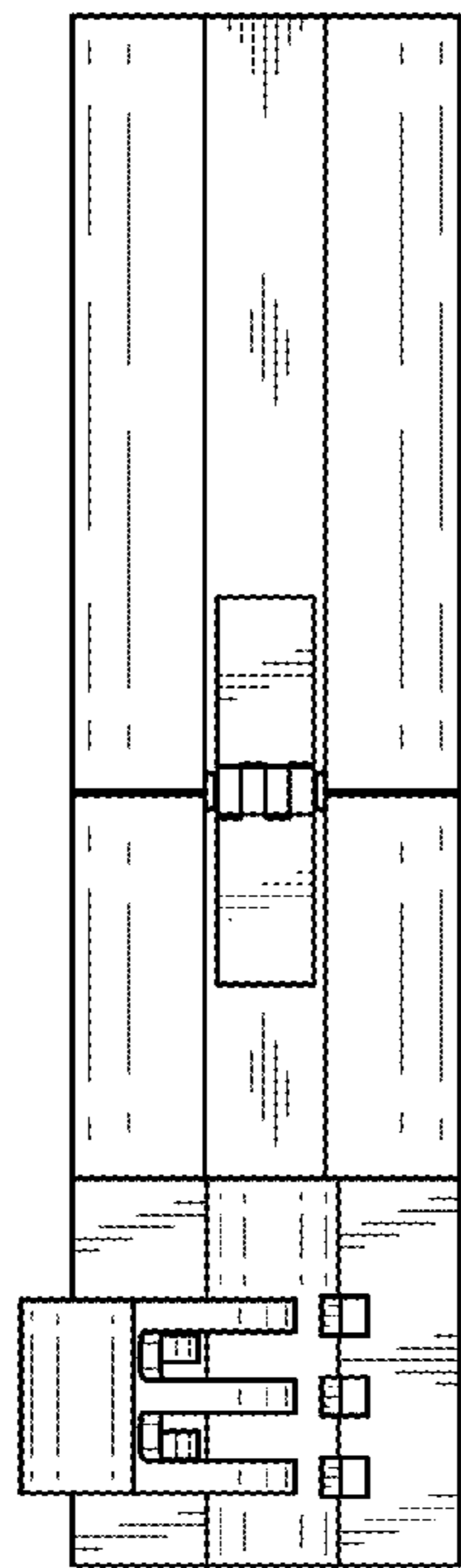


FIG. 5

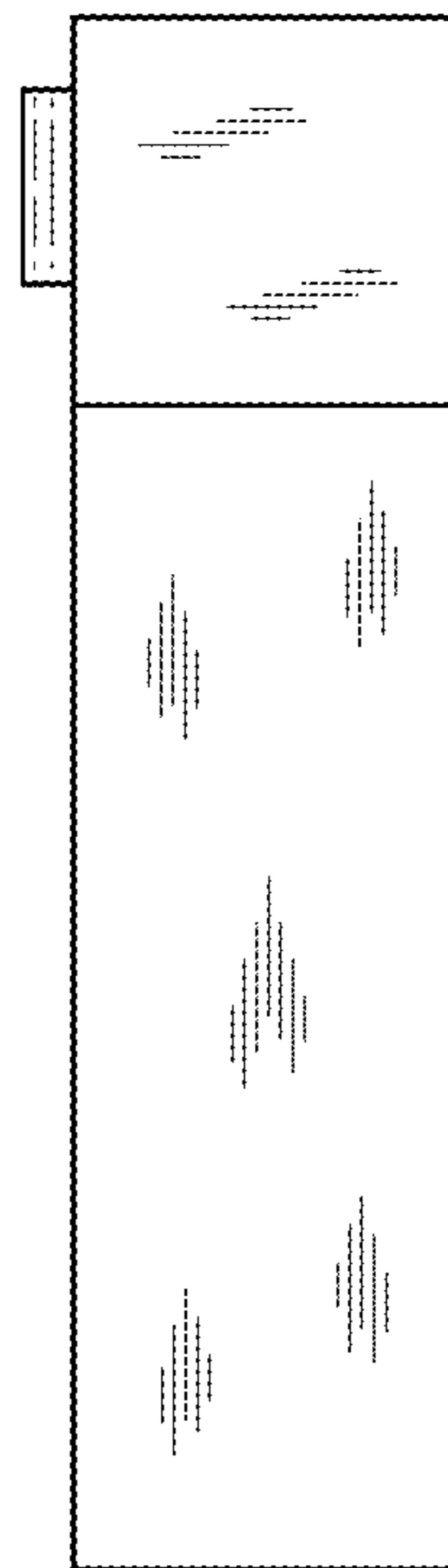


FIG. 6

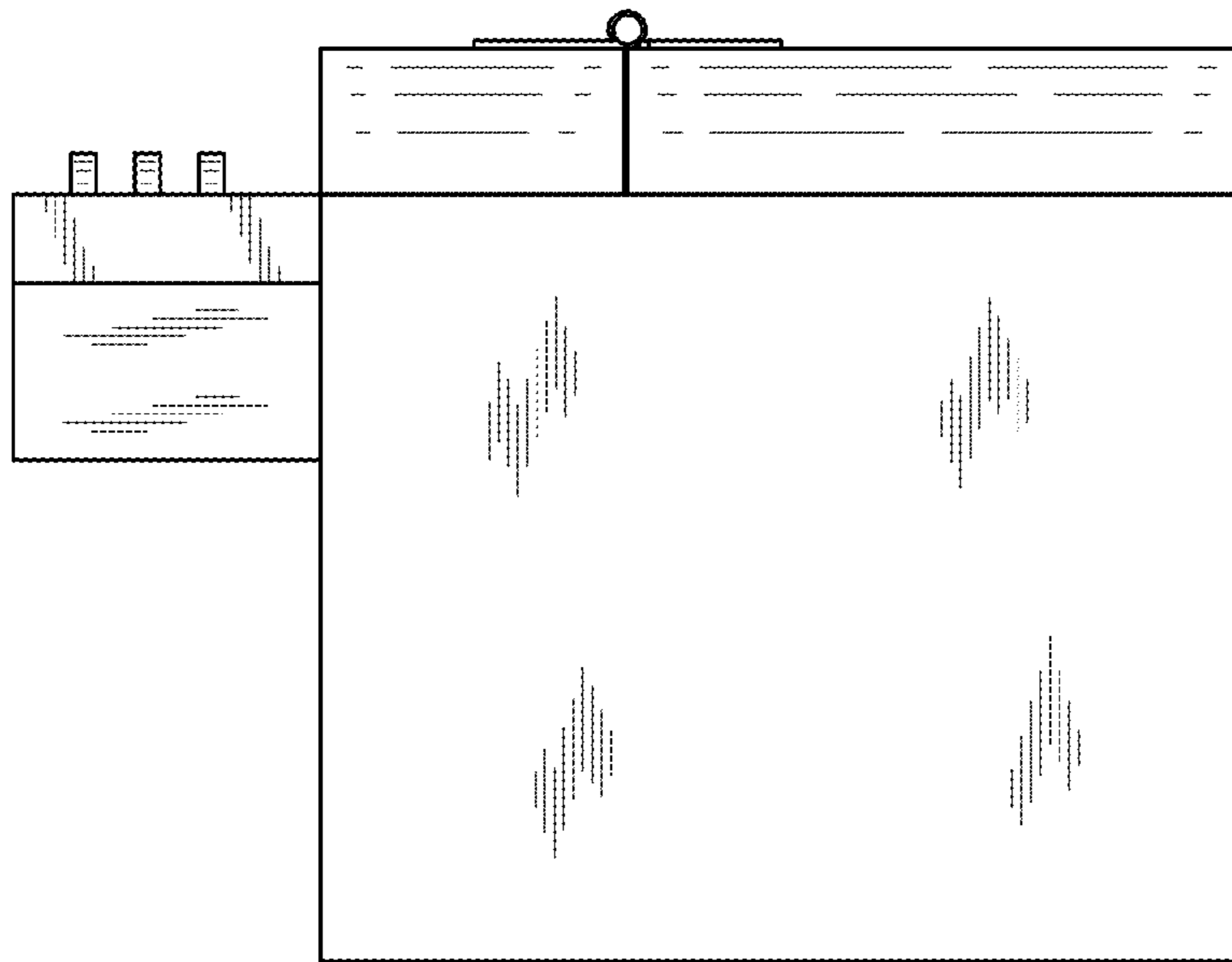


FIG. 7

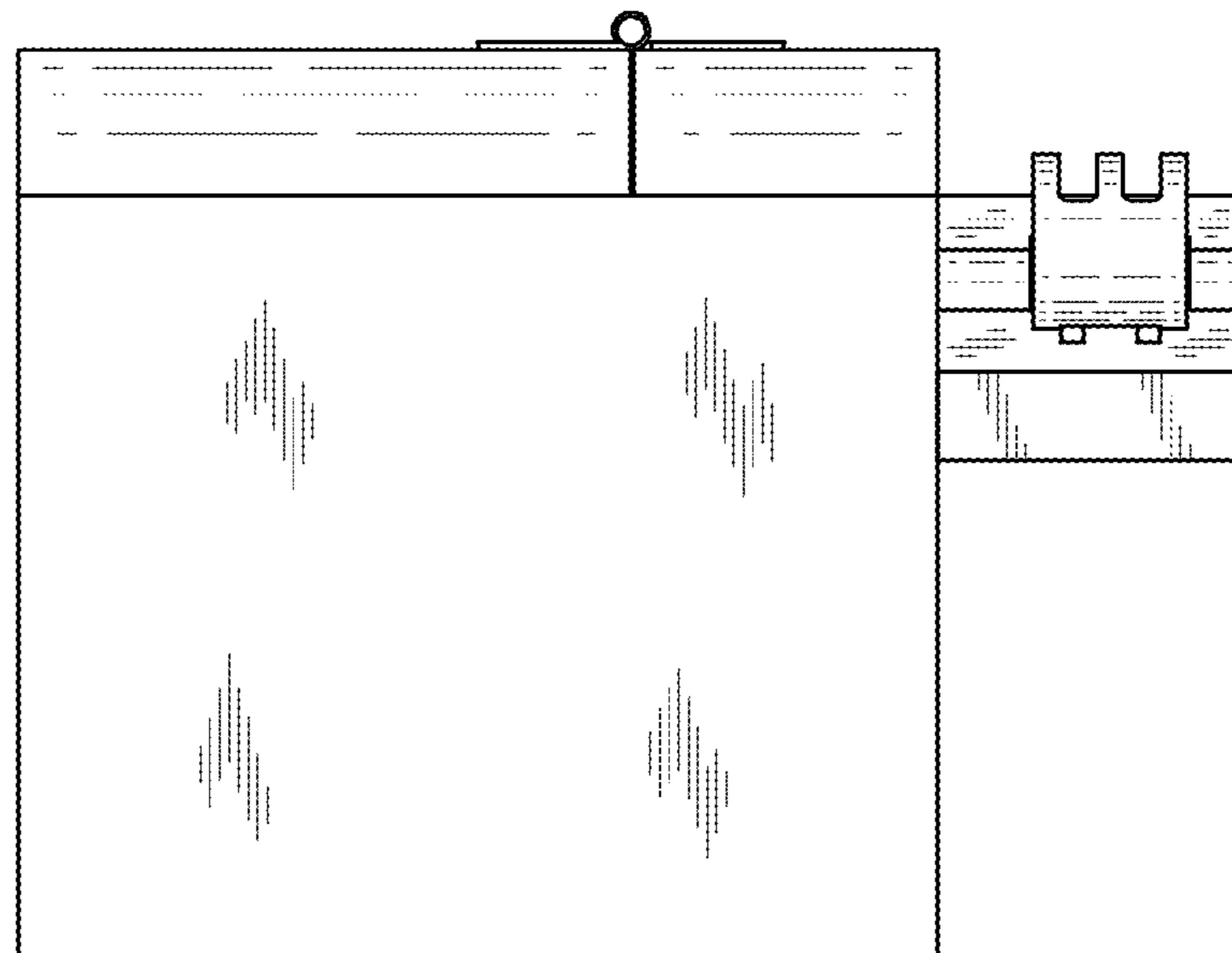


FIG. 8

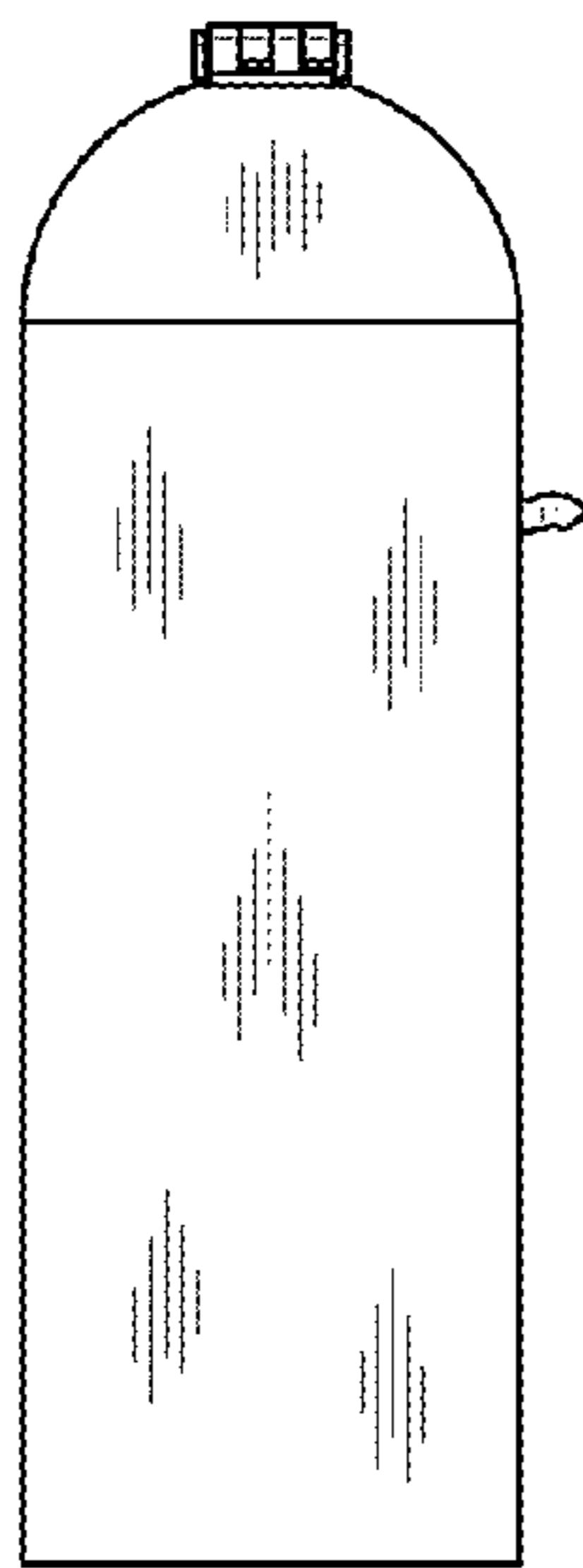


FIG. 9

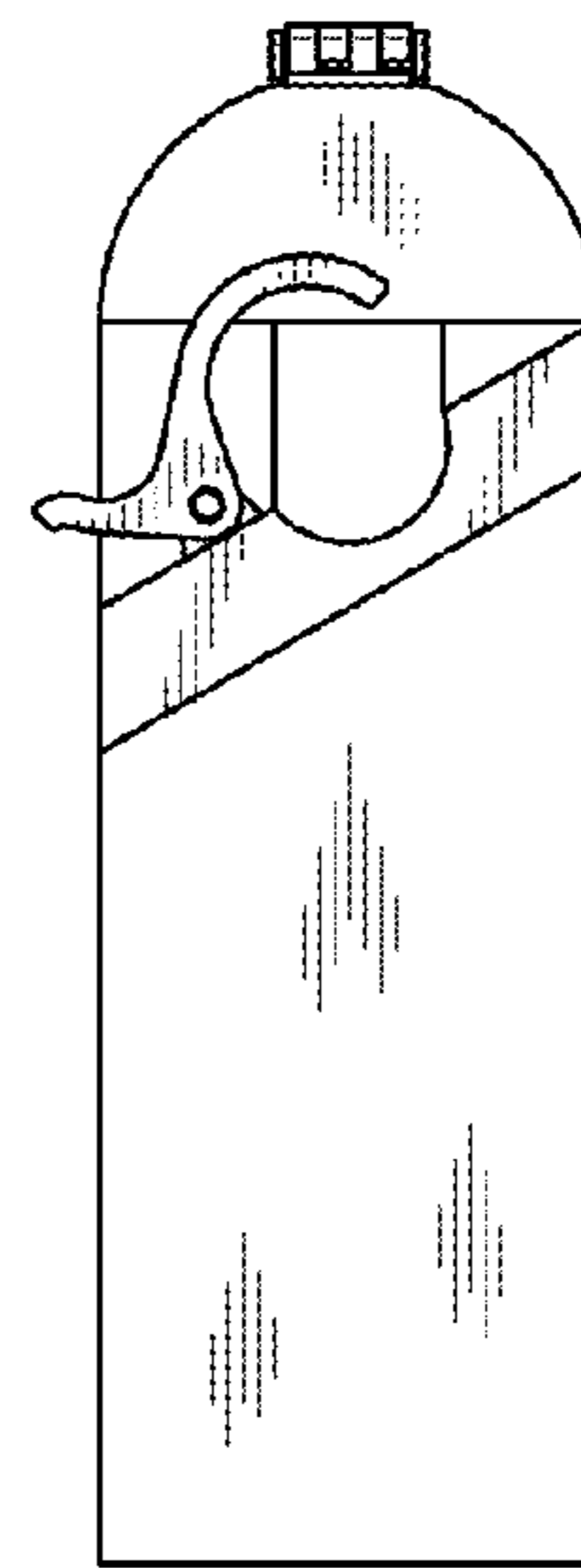


FIG. 10

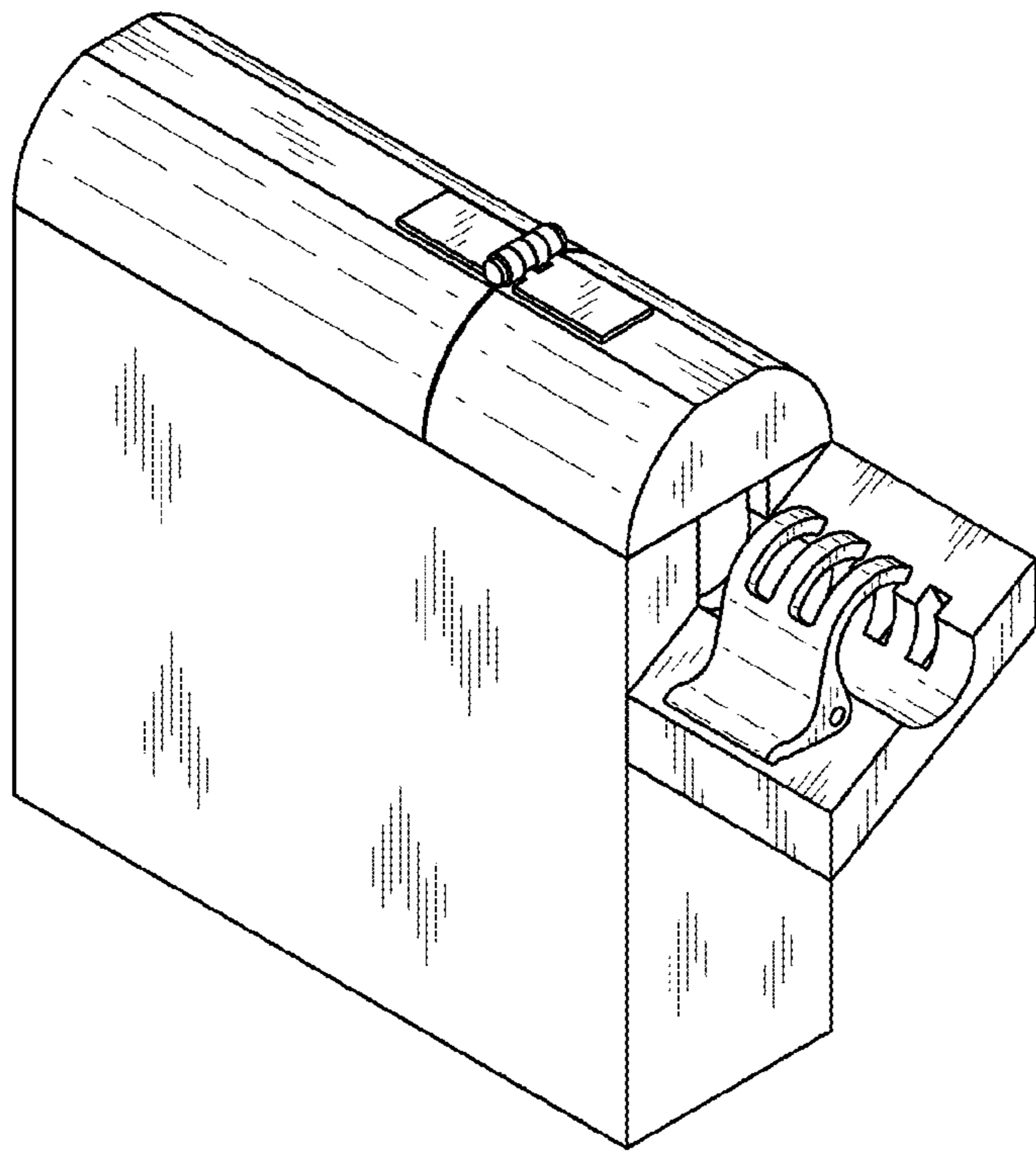


FIG. 11

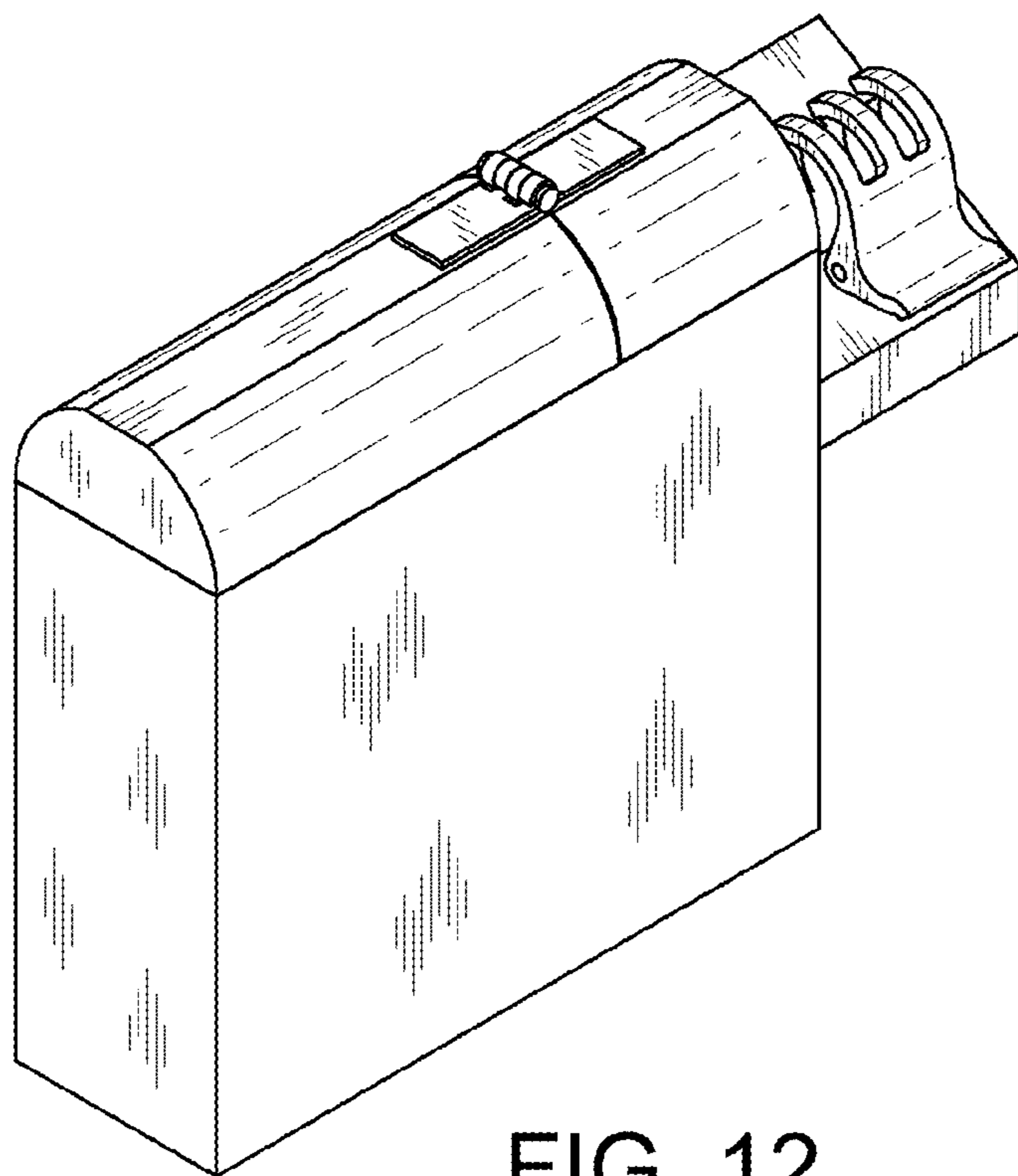


FIG. 12

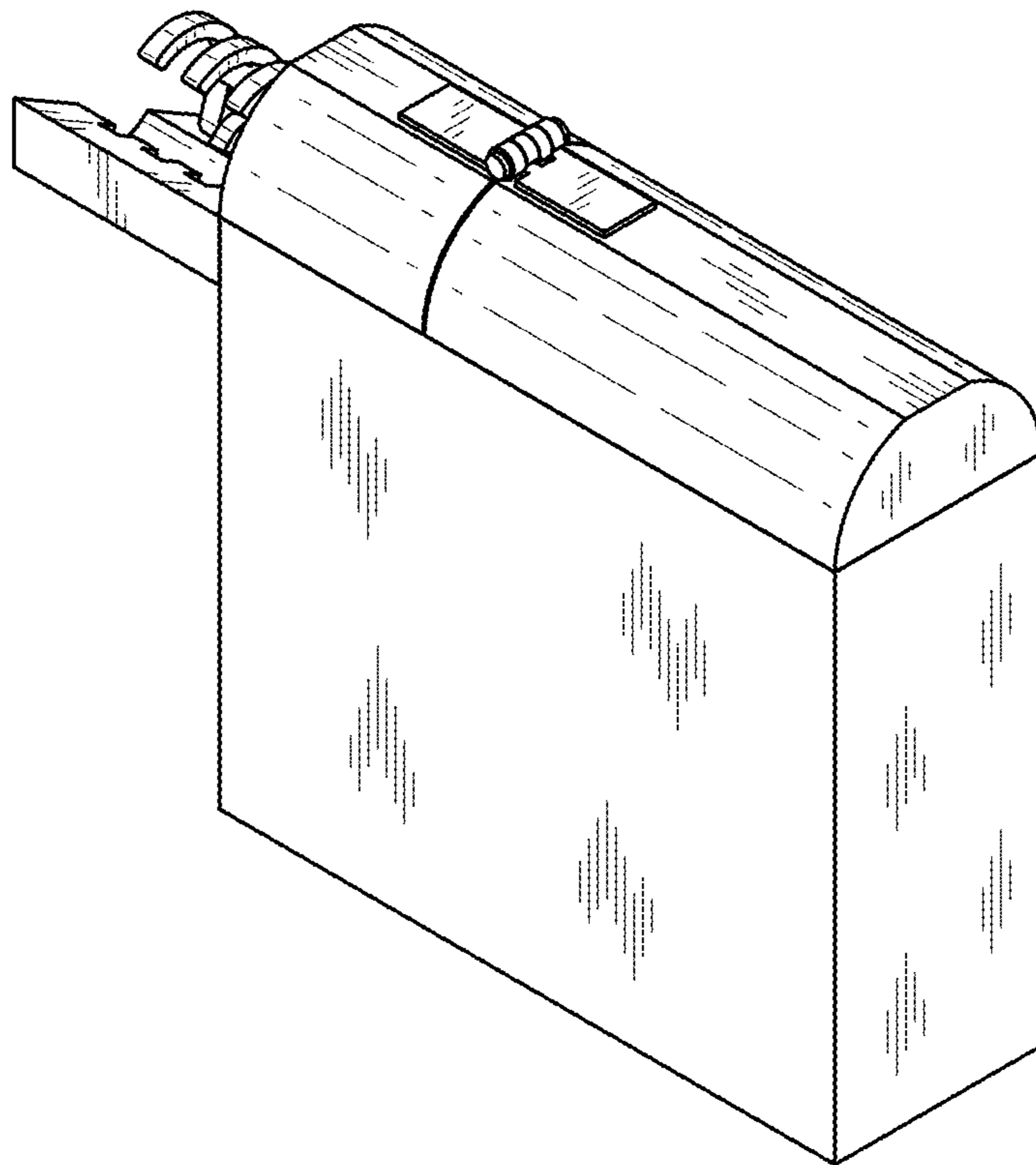


FIG. 13