



US00D751751S

(12) **United States Design Patent**  
**Lockart et al.**

(10) **Patent No.:** **US D751,751 S**

(45) **Date of Patent:** **\*\* Mar. 15, 2016**

(54) **HEAT SINK FOR A LIGHTING FIXTURE**

(56) **References Cited**

(71) Applicant: **KONINKLIJKE PHILIPS N.V.**,  
Eindhoven (NL)  
(72) Inventors: **Chad Lockart**, Burlington, MA (US);  
**Jonathan Levy**, Burlington, MA (US);  
**Zachary Wessner**, Burlington, MA (US)  
(73) Assignee: **Koninklijke Philips N.V.**, Eindhoven  
(NL)

U.S. PATENT DOCUMENTS

D238,581 S *	1/1976	Lehmann .....	D13/179
D367,469 S *	2/1996	Widmayer et al. ....	D13/179
D379,799 S *	6/1997	Widmayer et al. ....	D13/179
D399,831 S *	10/1998	Dodson .....	D13/179
D449,587 S *	10/2001	Cronin .....	D13/179
D451,456 S *	12/2001	Santo .....	D12/187
D478,537 S *	8/2003	Ono .....	D12/187
D613,258 S *	4/2010	Walker et al. ....	D13/179
D638,376 S *	5/2011	Herrmann et al. ....	D13/179
D638,807 S *	5/2011	Chan et al. ....	D13/179
2013/0027936 A1 *	1/2013	Ladewig et al. ....	362/249.01
2015/0029721 A1 *	1/2015	Kim .....	362/249.02

(\*\*) Term: **14 Years**

\* cited by examiner

(21) Appl. No.: **29/492,782**

*Primary Examiner* — Cynthia Ramirez

(22) Filed: **Jun. 3, 2014**

*Assistant Examiner* — Llorellys Martinez-Rivera

(51) **LOC (10) Cl.** ..... **26-99**

(57) **CLAIM**

(52) **U.S. Cl.**

The ornamental design for a heat sink for a lighting fixture, as shown and described.

USPC ..... **D26/118**

**DESCRIPTION**

(58) **Field of Classification Search**

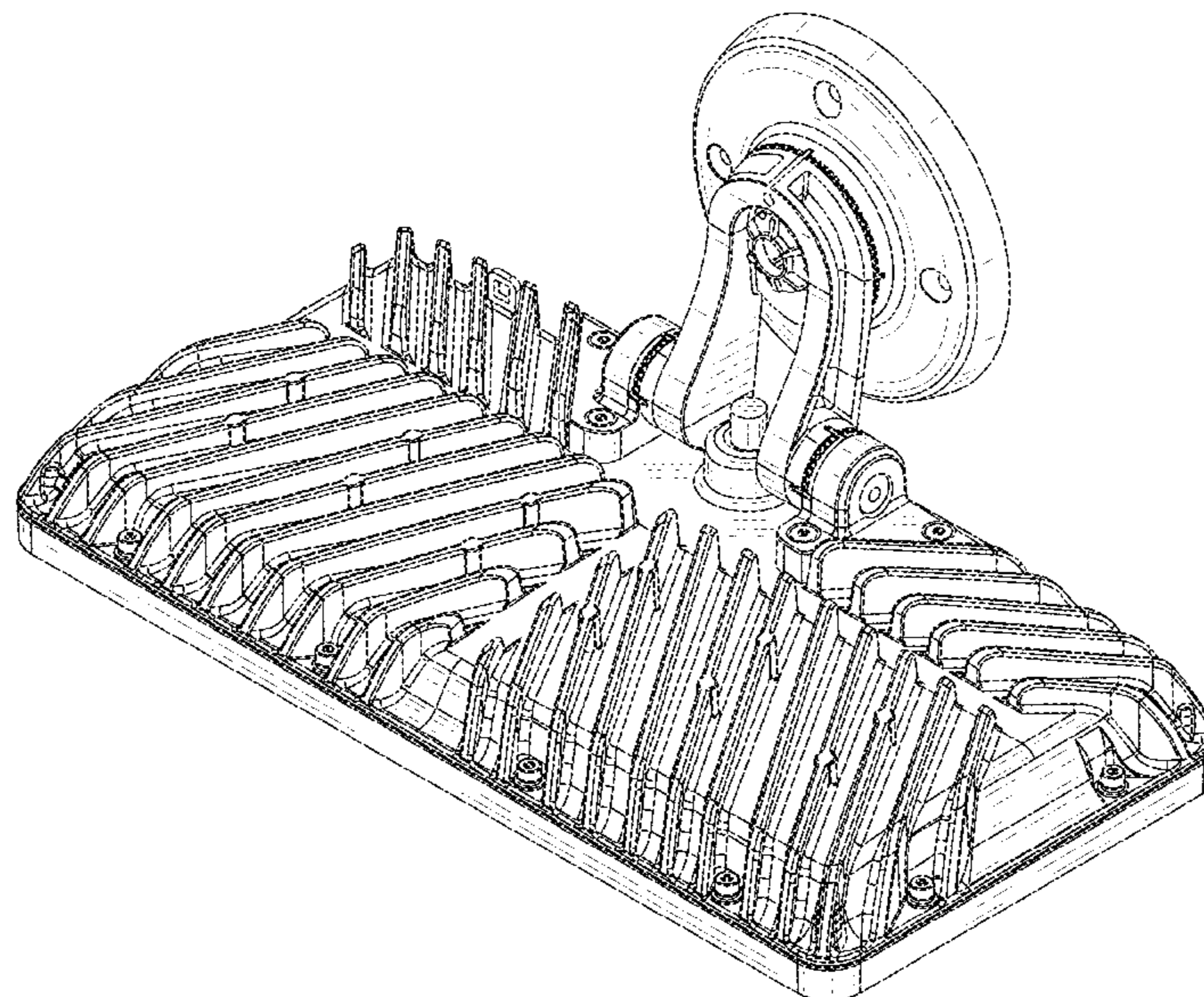
USPC ..... D26/24, 26, 28, 29, 34, 37, 38, 43, 44,  
D26/51, 59, 60, 61, 63, 66, 67, 68, 72, 74,  
D26/76, 85, 86, 88, 89, 91, 113, 118, 119,  
D26/120, 122–124, 138, 140–146;  
362/145–148, 150, 153, 153.1, 218,  
362/249.01–249.05, 294, 296.01, 296.07,  
362/296.08, 311.07, 311.09, 311.1, 345,  
362/362, 364, 365, 366, 368, 370, 371, 373,  
362/397, 418, 427, 428, 460, 473–476,  
362/546–548

FIG. 1 is a perspective view of a heat sink for a lighting fixture design;  
FIG. 2 is a top view thereof;  
FIG. 3 is a first side view thereof;  
FIG. 4 is a second side view thereof;  
FIG. 5 is a third side view thereof;  
FIG. 6 is a fourth side view thereof; and,  
FIG. 7 is a bottom view thereof.  
The broken lines in the drawings illustrate portions of the heat sink for a lighting fixture that form no part of the claimed design.

CPC ..... F21V 21/406; F21V 29/22

See application file for complete search history.

**1 Claim, 7 Drawing Sheets**



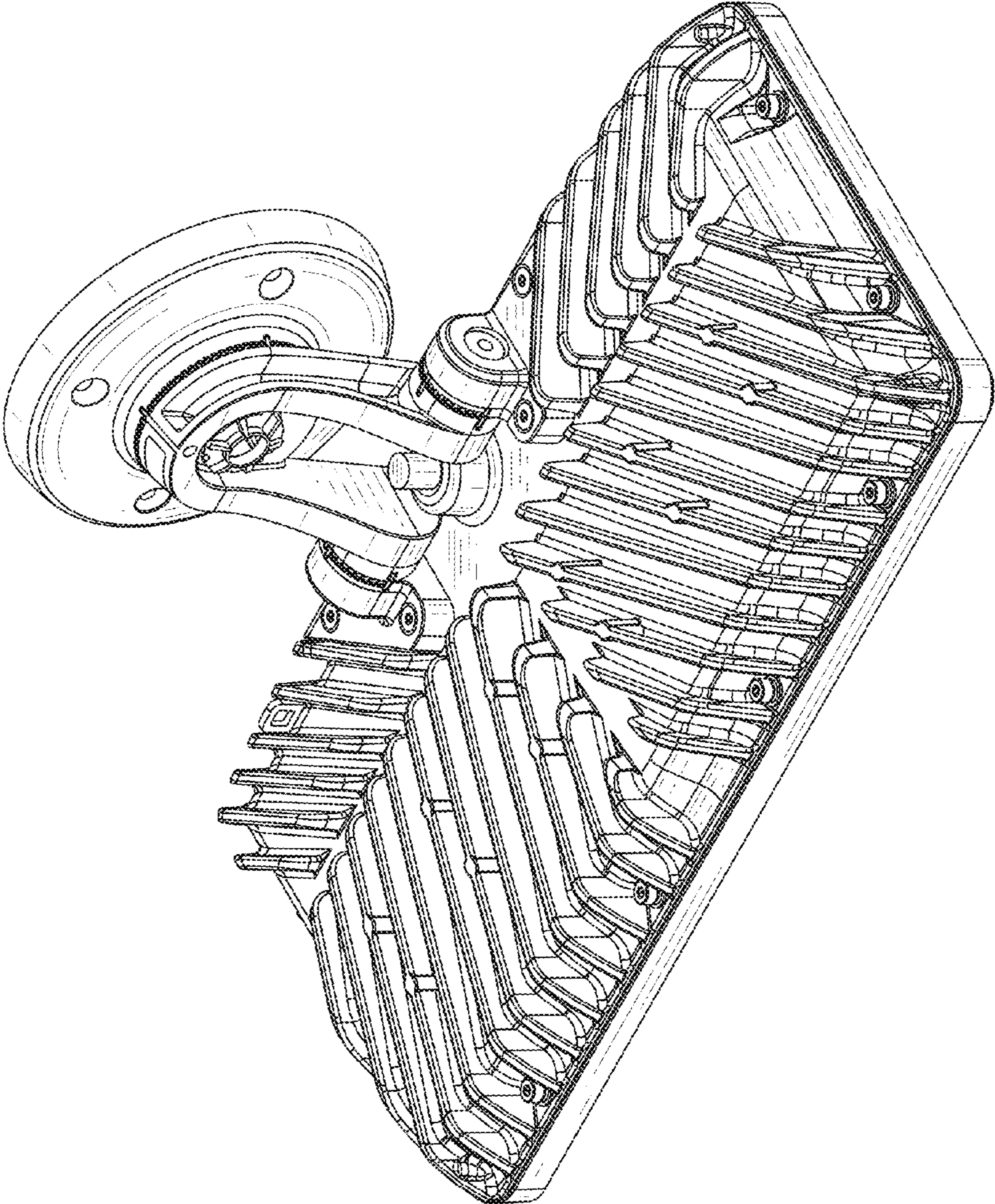


FIG. 1

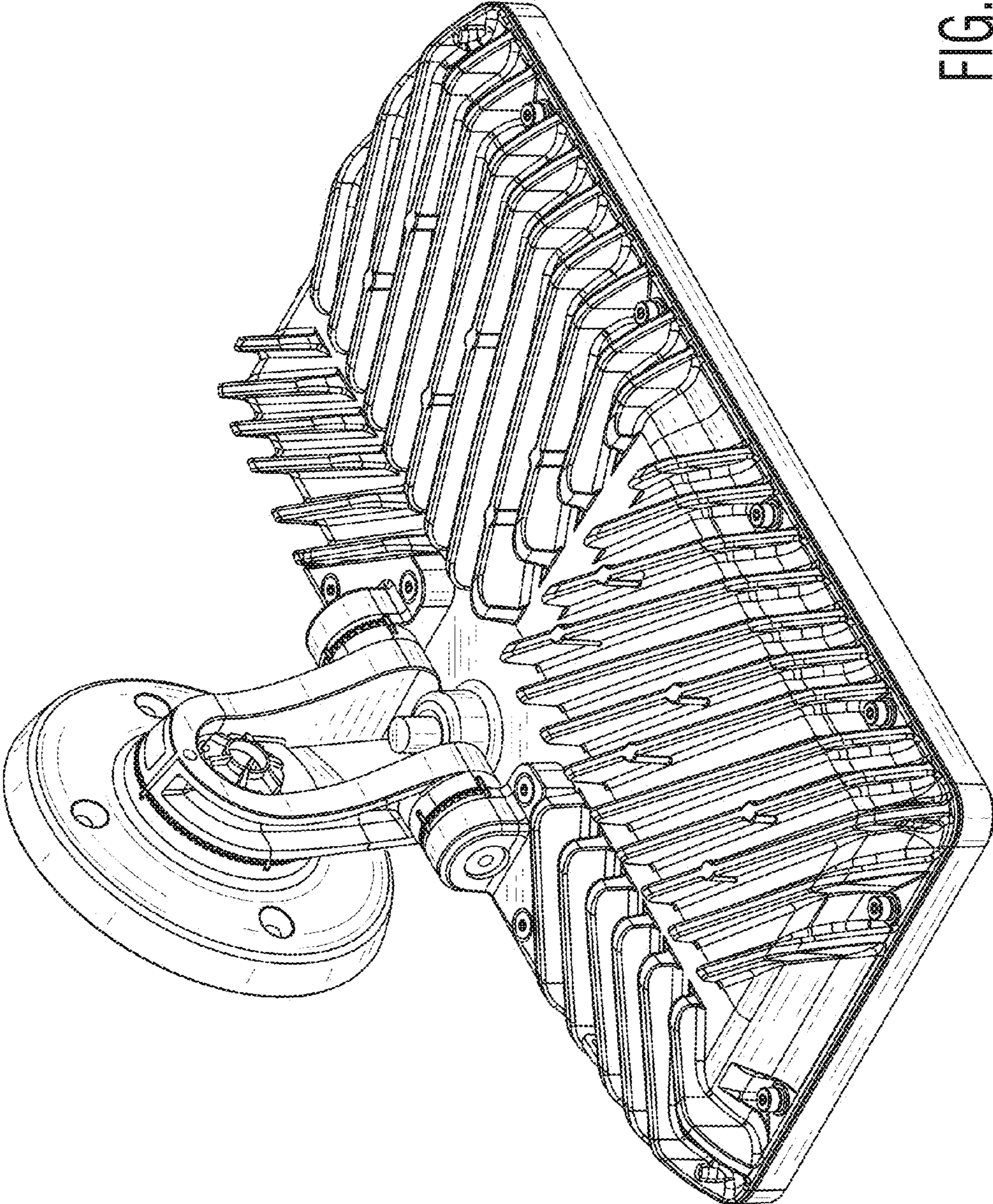


FIG. 2

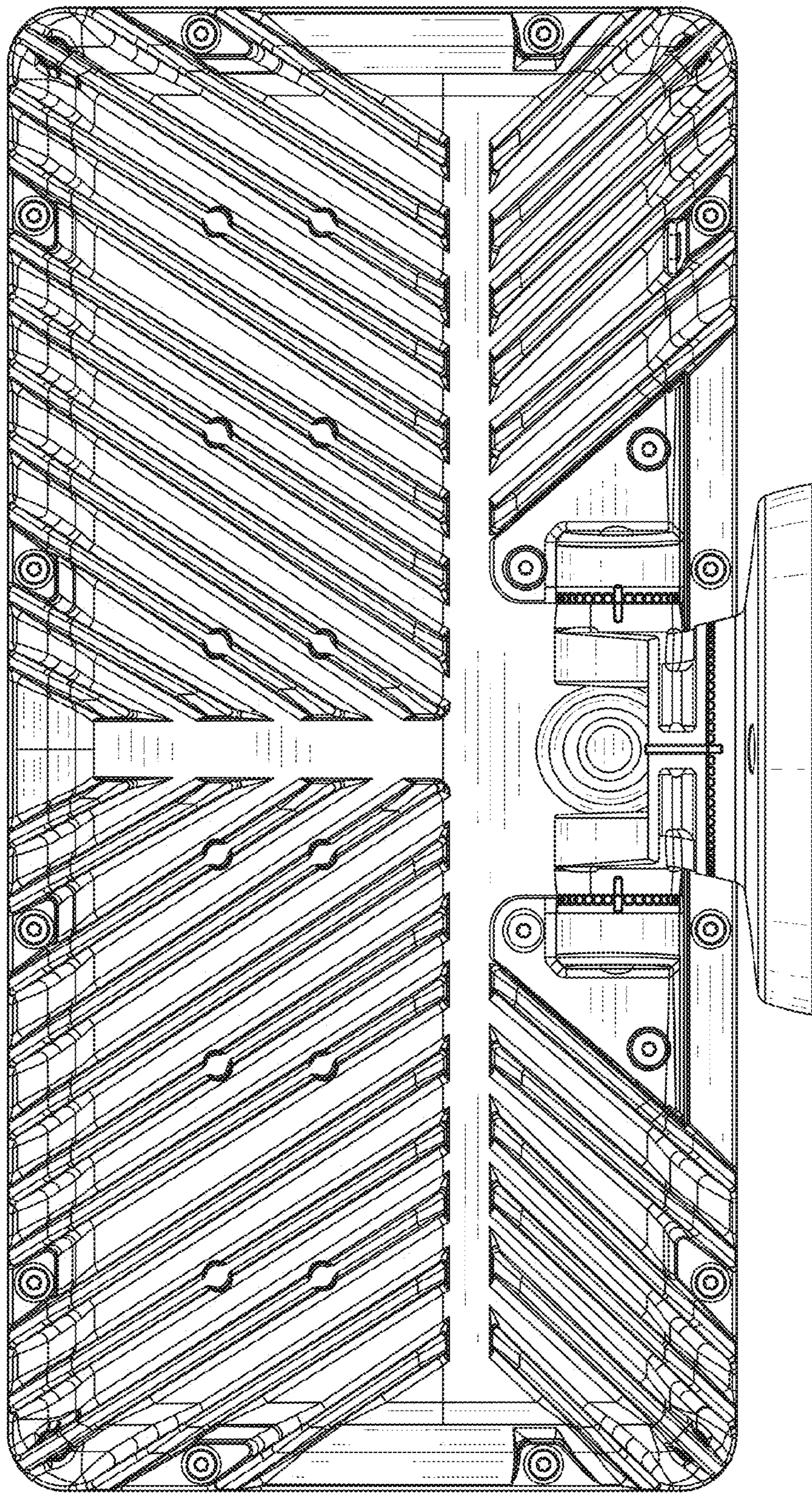


FIG. 3

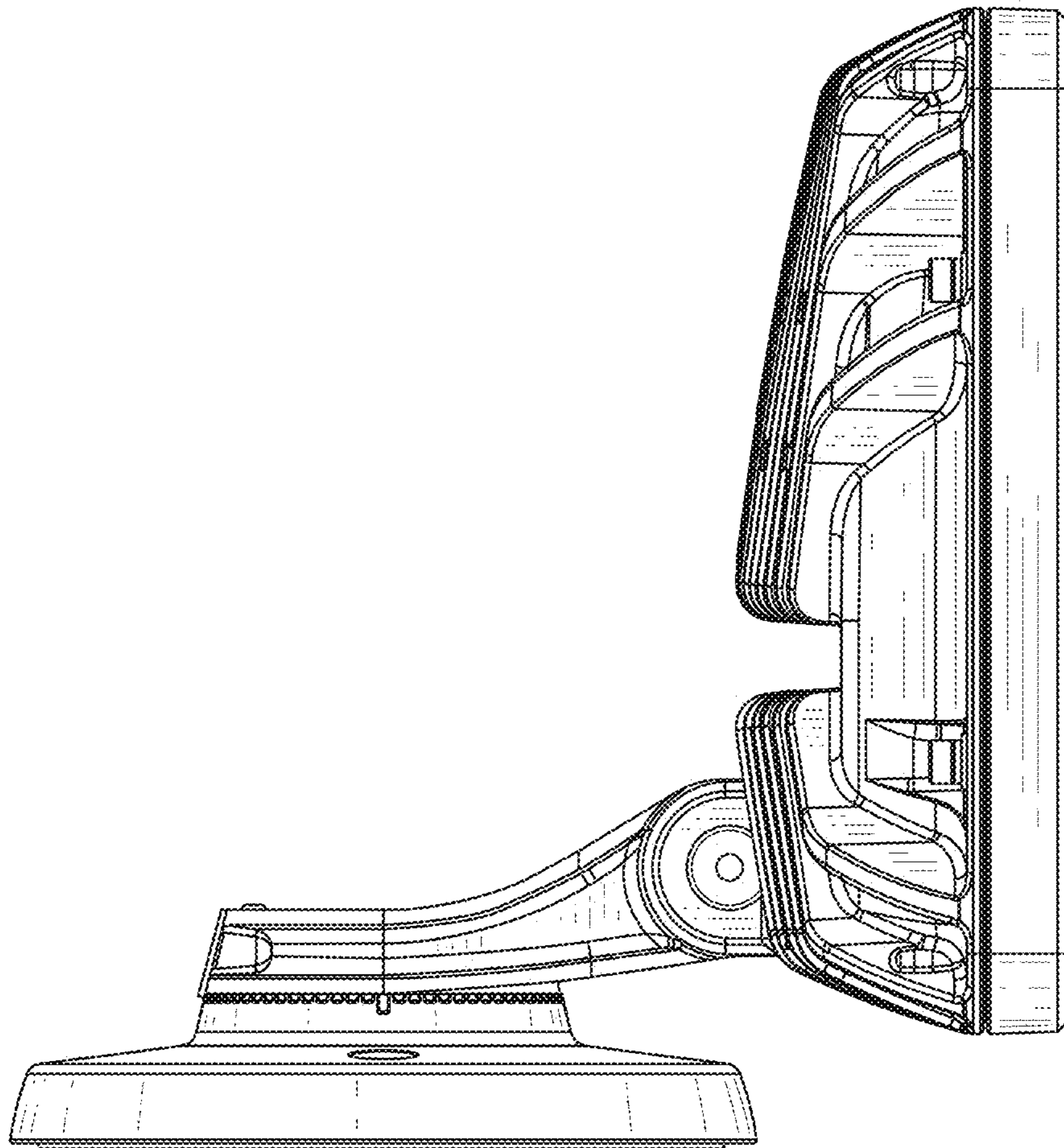


FIG. 4

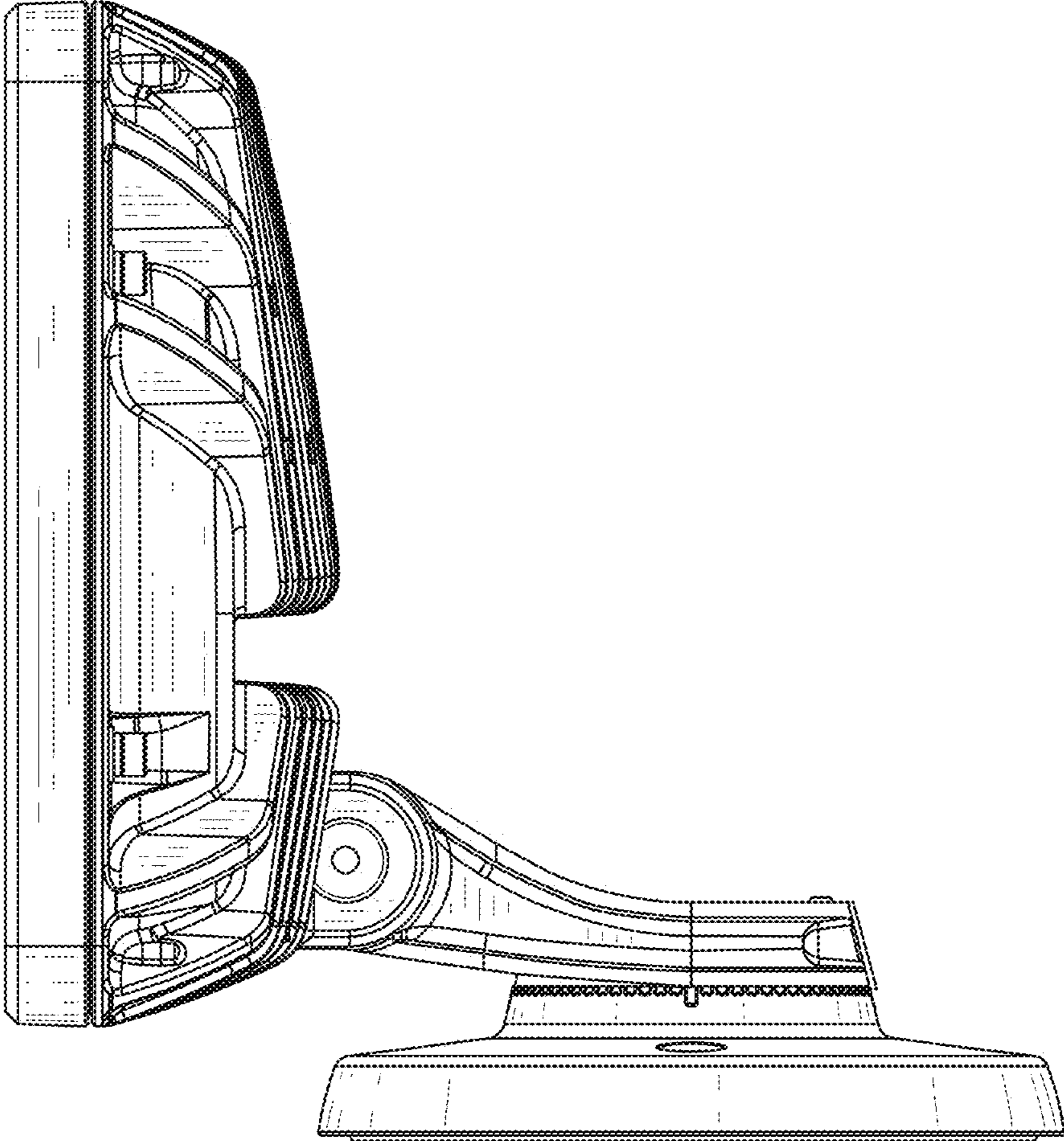


FIG. 5

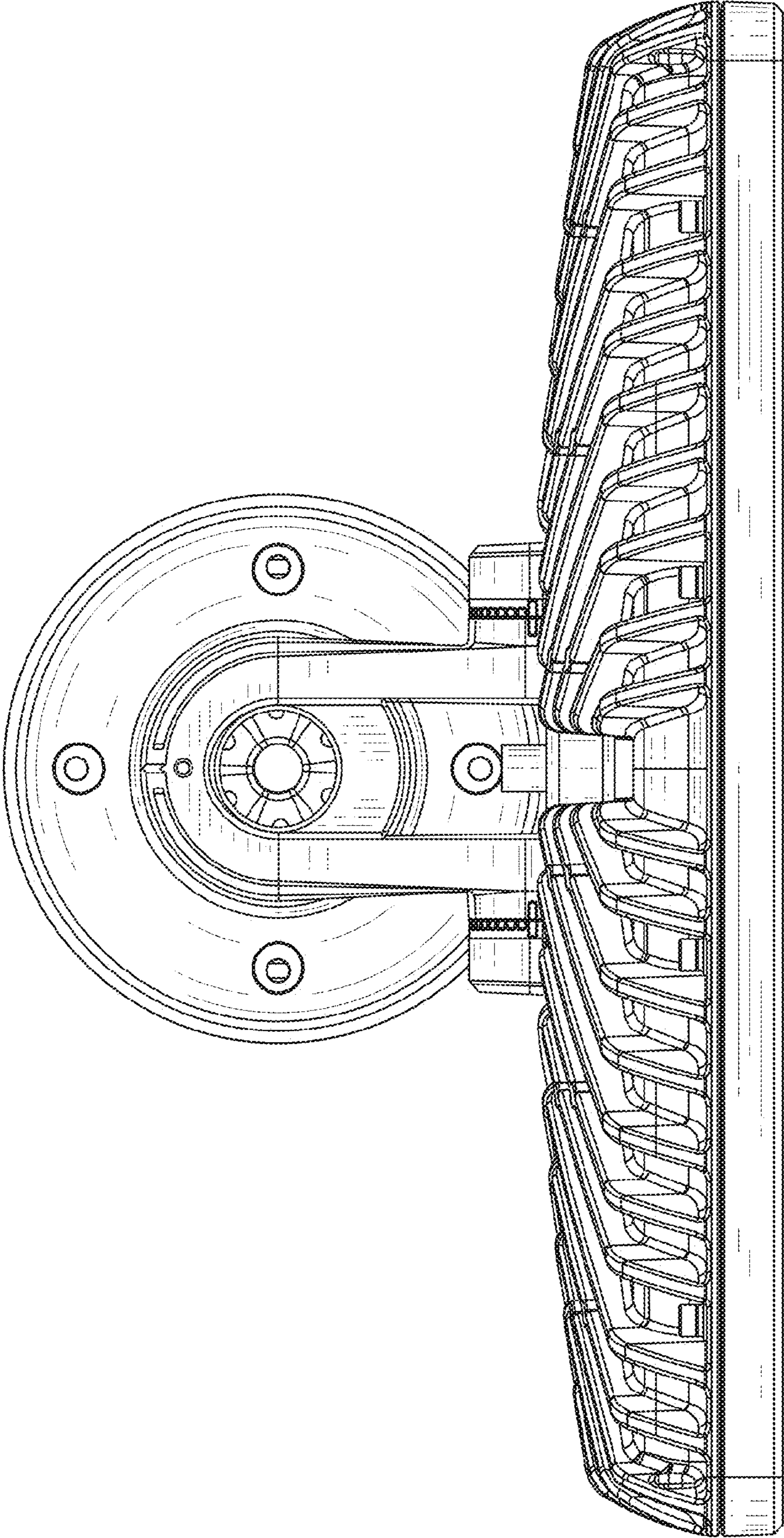


FIG. 6

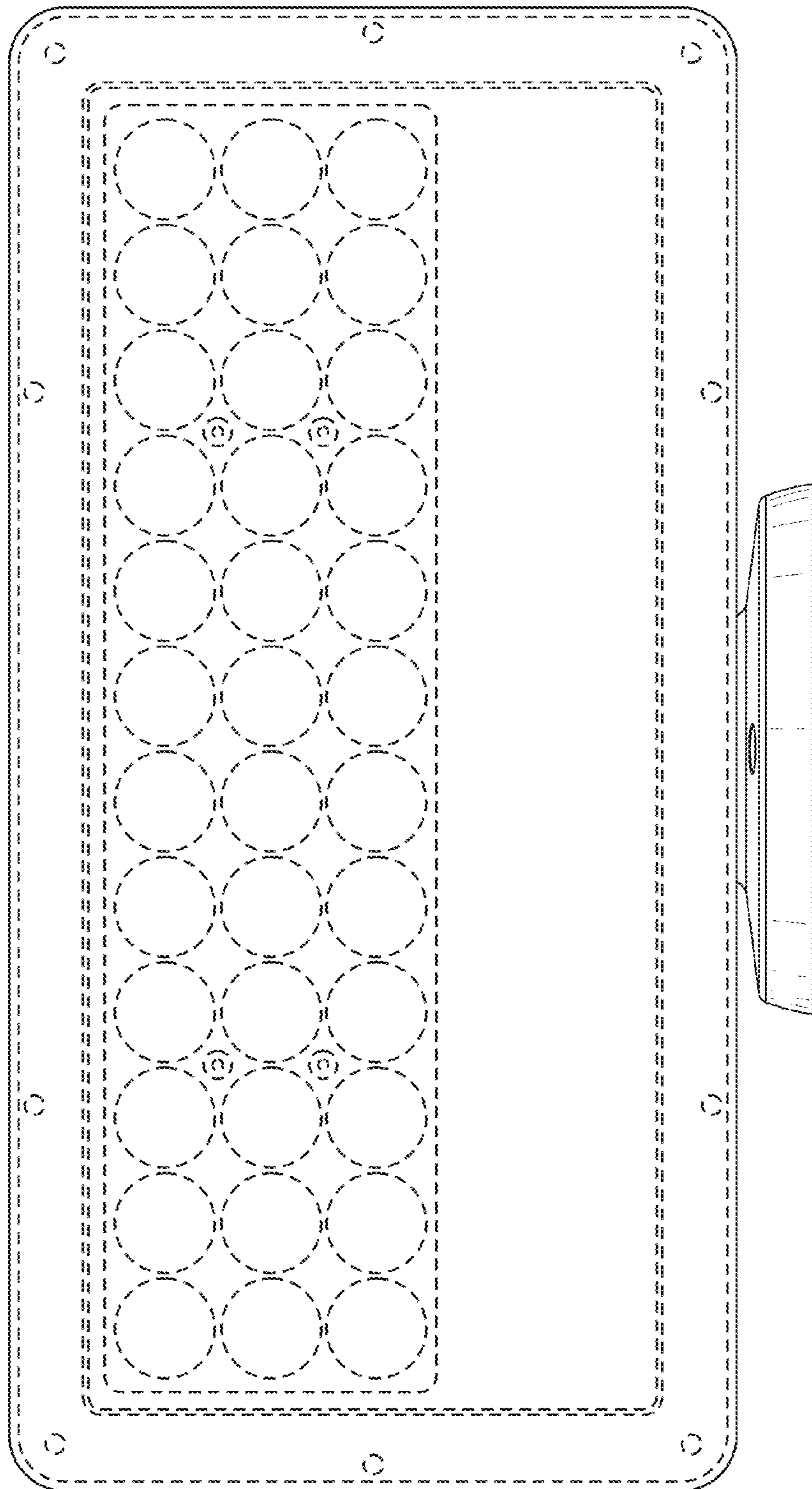


FIG. 7