



US00D751747S

(12) **United States Design Patent**
Nankil

(10) **Patent No.:** **US D751,747 S**
(45) **Date of Patent:** **** Mar. 15, 2016**

(54) **LIGHTING FIXTURE HAVING STRUTS**

(56) **References Cited**

(71) Applicant: **Hubbell Incorporated**, Shelton, CT
(US)

U.S. PATENT DOCUMENTS

999,813 A 8/1911 Losey
1,019,246 A 3/1912 Godinez et al.

(72) Inventor: **Robert R. Nankil**, Buena Park, CA (US)

(Continued)

(73) Assignee: **Hubbell Incorporated**, Shelton, CT
(US)

FOREIGN PATENT DOCUMENTS

GB 2025424 9/1992
GB 2044993 2/1995

(**) Term: **14 Years**

(Continued)

(21) Appl. No.: **29/502,213**

OTHER PUBLICATIONS

(22) Filed: **Sep. 12, 2014**

All Garden Collections for Spring 2009 shown on p. 11 of the Kichler Spring 2009 Landscape catalog downloaded Aug. 11, 2010. (2 pages- includes catalog cover).*

(Continued)

Related U.S. Application Data

(62) Division of application No. 29/440,322, filed on Dec. 20, 2012, now Pat. No. Des. 715,475, which is a division of application No. 29/419,121, filed on Apr. 25, 2012, now Pat. No. Des. 676,588, which is a division of application No. 29/401,710, filed on Sep. 14, 2011, now Pat. No. Des. 662,647, which is a division of application No. 29/347,584, filed on Mar. 8, 2010, now Pat. No. Des. 647,235.

Primary Examiner — Clare E Heflin

(74) *Attorney, Agent, or Firm* — Michael Best & Friedrich, LLP

(51) **LOC (10) Cl.** **26-05**

(52) **U.S. Cl.**
USPC **D26/67**

(58) **Field of Classification Search**
USPC D26/67-71, 73, 85, 101, 125, 128;
362/147, 152, 153, 153.1, 183, 185,
362/431, 653
CPC F21S 6/004; F21S 6/005; F21S 8/08;
F21S 8/081; F21S 8/083; F21S 8/088; F21S
9/03; F21S 9/032; F21S 9/035; F21S 9/037;
F21V 21/0824

(57)

CLAIM

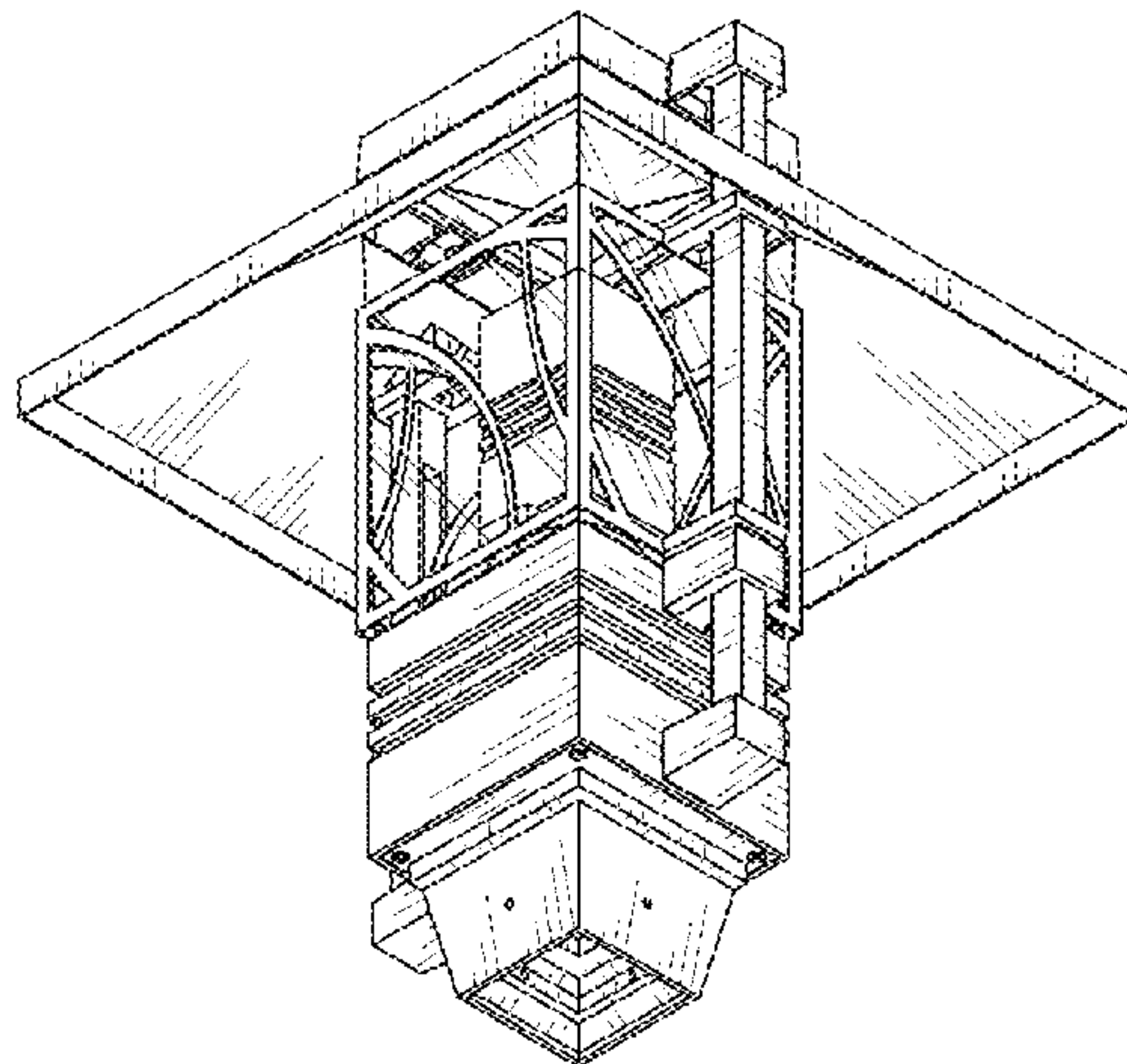
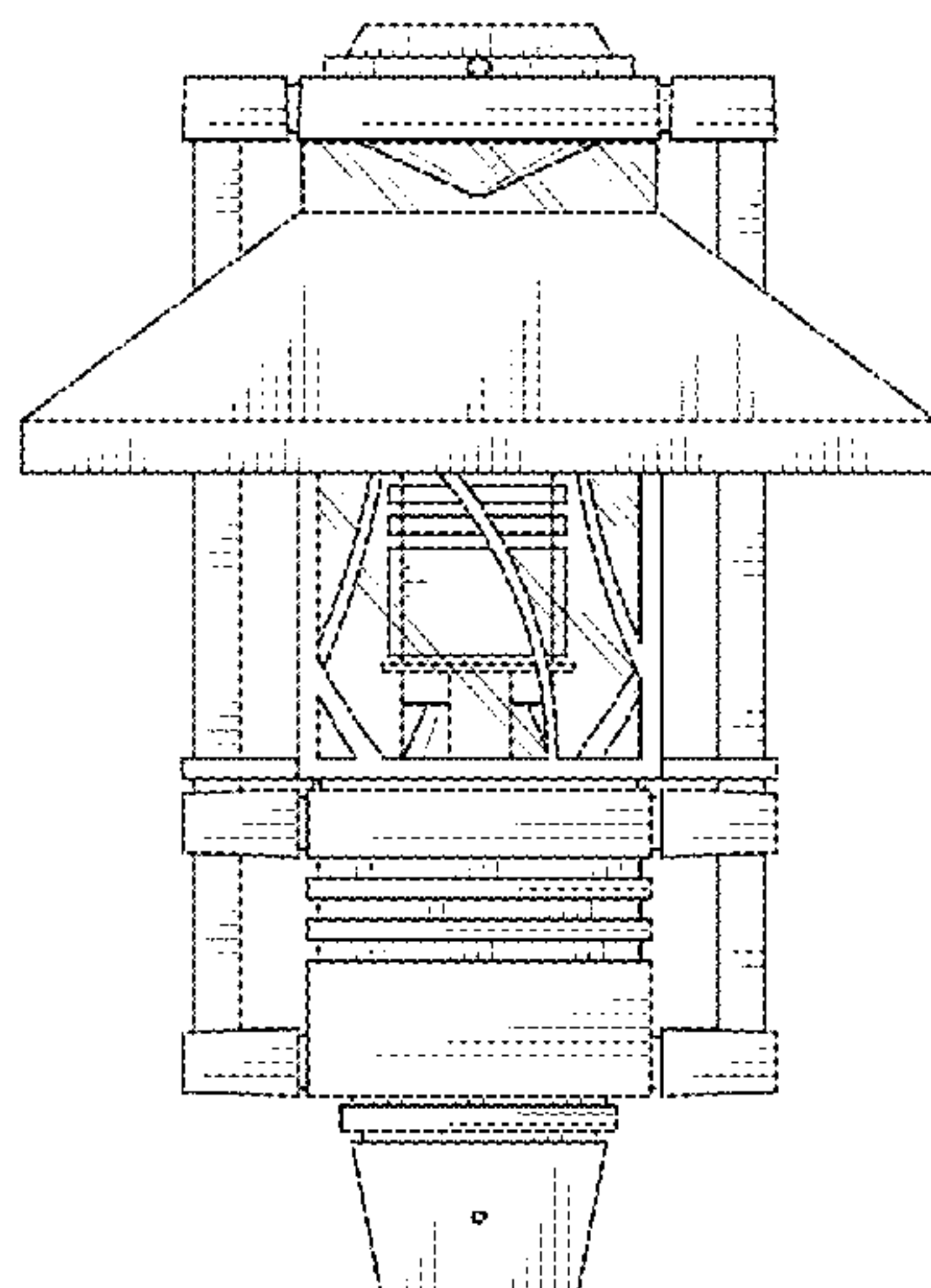
The ornamental design for a lighting fixture having struts, as shown and described.

DESCRIPTION

FIG. 1 is a top plan view of a lighting fixture having struts according to a first embodiment of the invention;
FIG. 2 is a top perspective view of the lighting fixture illustrated in FIG. 1;
FIG. 3 is a front elevational view of the lighting fixture illustrated in FIGS. 1 and 2, the back elevational view being the mirror image thereof;
FIG. 4 is a left side elevational view of the lighting fixture illustrated in FIGS. 1-3, the right side being the mirror image thereof;
FIG. 5 is a bottom plan view of the lighting fixture illustrated in FIGS. 1-4; and,
FIG. 6 is a bottom perspective view of the lighting fixture illustrated in FIGS. 1-5.

See application file for complete search history.

1 Claim, 3 Drawing Sheets



(56)

References Cited

U.S. PATENT DOCUMENTS

1,082,753 A 12/1913 Losey
 1,473,380 A 11/1923 Peterson
 1,732,745 A 10/1929 Erskine
 D82,136 S 9/1930 Chapman
 D85,931 S 1/1932 Graff
 D100,556 S 7/1936 Gosling
 D125,314 S 2/1941 Proulx
 D138,831 S 9/1944 McCann
 D152,994 S 3/1949 McCann
 D154,302 S 6/1949 Palmquist
 2,523,818 A 9/1950 Cortes
 D160,899 S 11/1950 Stevens
 2,793,285 A 5/1957 Brainerd
 D185,974 S 8/1959 Rambusch et al.
 D194,624 S 2/1963 Pettengill
 D199,266 S 9/1964 Izzi
 D199,409 S 10/1964 Von Steenhoven
 3,194,952 A 7/1965 Wells
 D208,659 S 9/1967 Koziol
 D211,277 S 6/1968 Layton
 D219,022 S 10/1970 Yamazaki
 3,833,804 A 9/1974 Vesely
 D235,677 S 7/1975 Goldberg
 D235,914 S 7/1975 Schacht
 D239,460 S 4/1976 Schacht
 4,069,415 A 1/1978 Dacal
 D298,861 S 12/1988 Ewing et al.
 4,858,088 A 8/1989 Agabekov
 4,951,184 A 8/1990 Makurof
 D338,977 S 8/1993 Ewing et al.
 5,384,694 A 1/1995 Yang
 5,430,631 A 7/1995 Dick
 D383,238 S 9/1997 Chen
 D403,097 S 12/1998 Littman
 D411,030 S 6/1999 Chen
 D427,349 S 6/2000 Landefeld
 D427,350 S 6/2000 Landefeld
 D427,351 S 6/2000 Landefeld
 D427,705 S 7/2000 Landefeld
 D444,584 S 7/2001 Landefeld
 D453,388 S 2/2002 Leen
 D465,296 S 11/2002 DiPasquale
 6,494,599 B1 12/2002 Leen
 D473,333 S 4/2003 Willmorth
 D506,281 S 6/2005 Randazzo et al.
 D518,221 S 3/2006 Randazzo et al.
 7,066,613 B2 6/2006 Vishwamitra
 D524,475 S 7/2006 Randazzo et al.
 D535,427 S 1/2007 Chandler
 D537,189 S 2/2007 Zhang
 D537,556 S 2/2007 Summerford et al.
 D553,286 S 10/2007 Chung et al.

D563,584 S 3/2008 Lee et al.
 7,387,409 B1 6/2008 Beadle
 D580,084 S 11/2008 Walsh
 D580,581 S 11/2008 Grant
 D583,494 S 12/2008 Friedman et al.
 7,473,016 B2 1/2009 Flaherty et al.
 D586,493 S 2/2009 Parres
 D589,194 S 3/2009 Sabernig
 D594,152 S 6/2009 Miranda
 D597,696 S 8/2009 Sabernig
 D601,291 S 9/2009 Nankil
 D625,456 S 10/2010 Sonneman
 D625,878 S 10/2010 Sabernig
 D629,949 S 12/2010 Ho
 D629,954 S 12/2010 Compton
 D639,995 S 6/2011 Compton
 D640,806 S 6/2011 Zheng
 D646,832 S 10/2011 Chen
 D647,235 S 10/2011 Nankil
 2003/0202340 A1 10/2003 Wu
 2006/0274537 A1 12/2006 Randazzo

FOREIGN PATENT DOCUMENTS

GB 2046752 4/1995
 GB 2057479 7/1996
 GB 2088112 11/1999
 GB 3005118 7/2002
 GB 3009606 12/2002
 GB 3010811 2/2003
 GB 3010812 2/2003
 GB 3010813 2/2003
 GB 4005870 1/2008

OTHER PUBLICATIONS

All Garden Collections for Spring 2009 shown on p. 13 of the Kichler Spring 2009 Landscape catalog downloaded Aug. 11, 2010.*
 Larkin Estate path light Model No. 15444 OZ shown on p. 49 of the Kichler Spring 2009 Landscape catalog downloaded Aug. 11, 2010. (2 pages-includes rear cover of catalog).*
 Architectural Area Lighting, Venere Series Catalog, Jan. 2007, pp. 1-20, US.
 Venere Series from Architectural Area Lighting Brochure, 2009, (20 pages).
 All "Larkin Estate" lighting fixtures shown on pp. 12 and 13 of the Kichler 2009 Kichler Lighting Catalog, 2009.
 Ainsely Square Post Light shown on p. 84 of the Kichler 2009 Kichler Lighting Catalog, 2009, (2 pages; includes rear cover of catalog).
 All "Cathedral" lighting fixtures from the Garden Collection shown on pp. 10 and 11 of the Kichler 2009 Kichler Lighting Catalog, 2009.

* cited by examiner

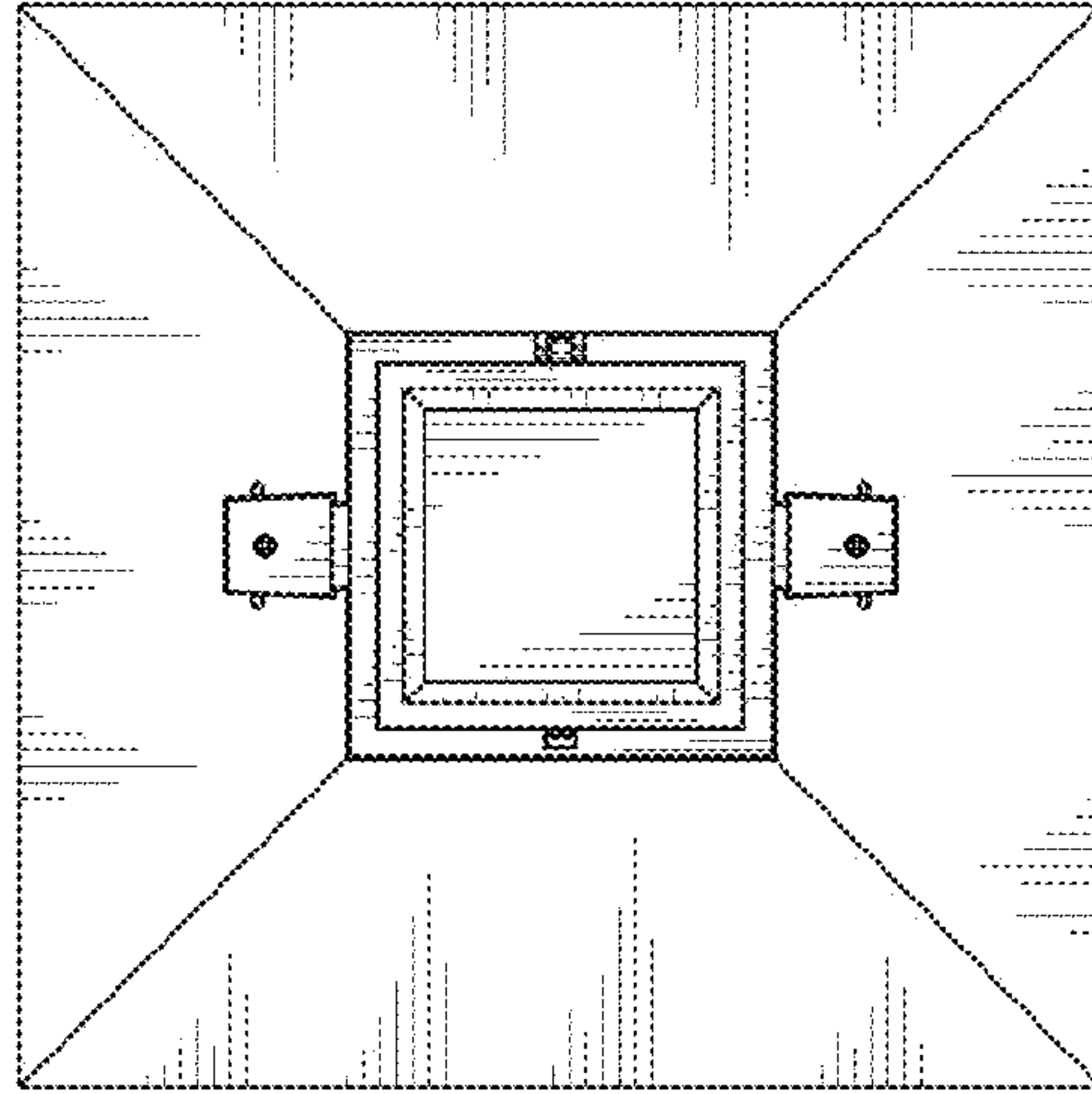


FIG. 1

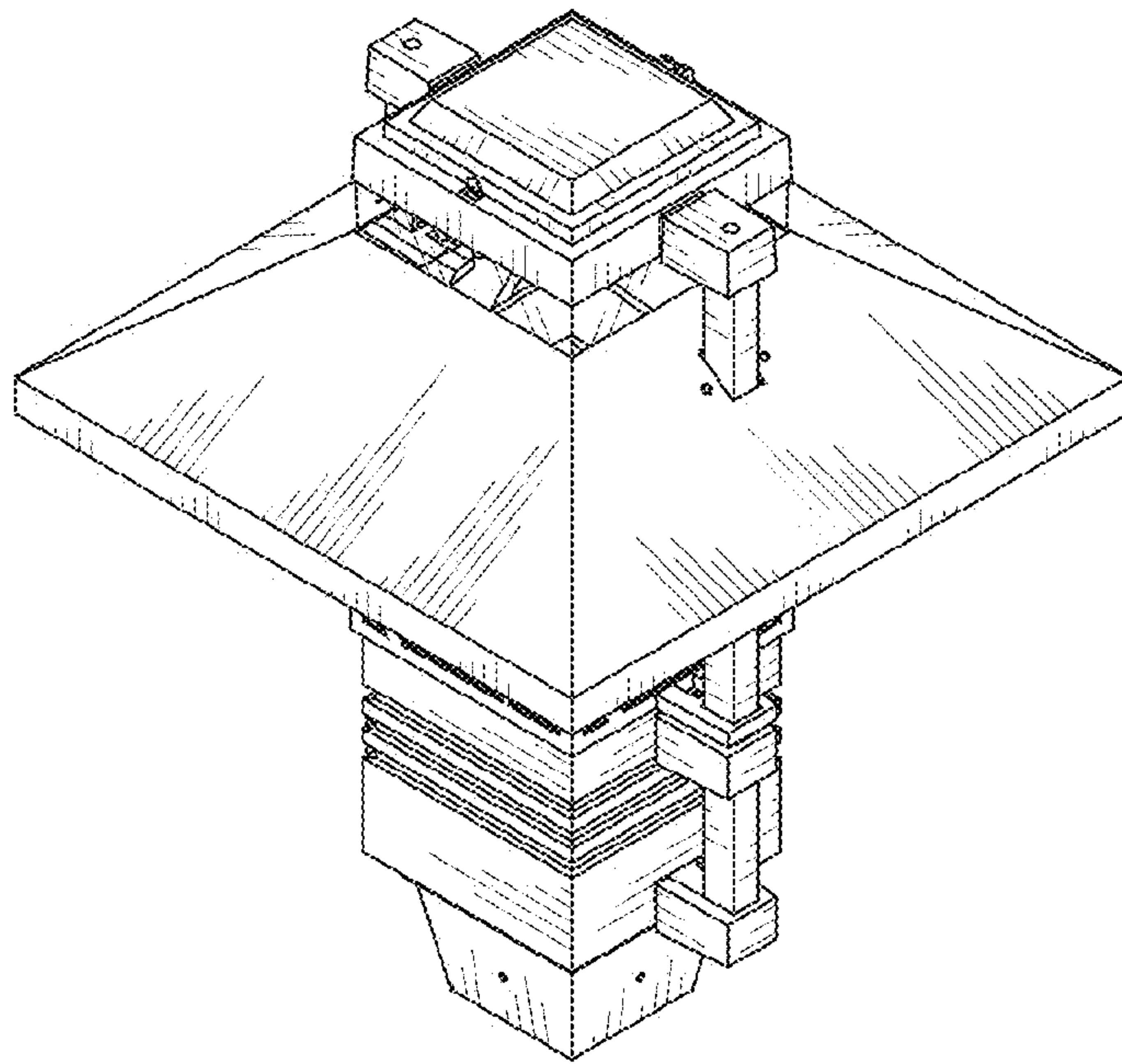


FIG. 2

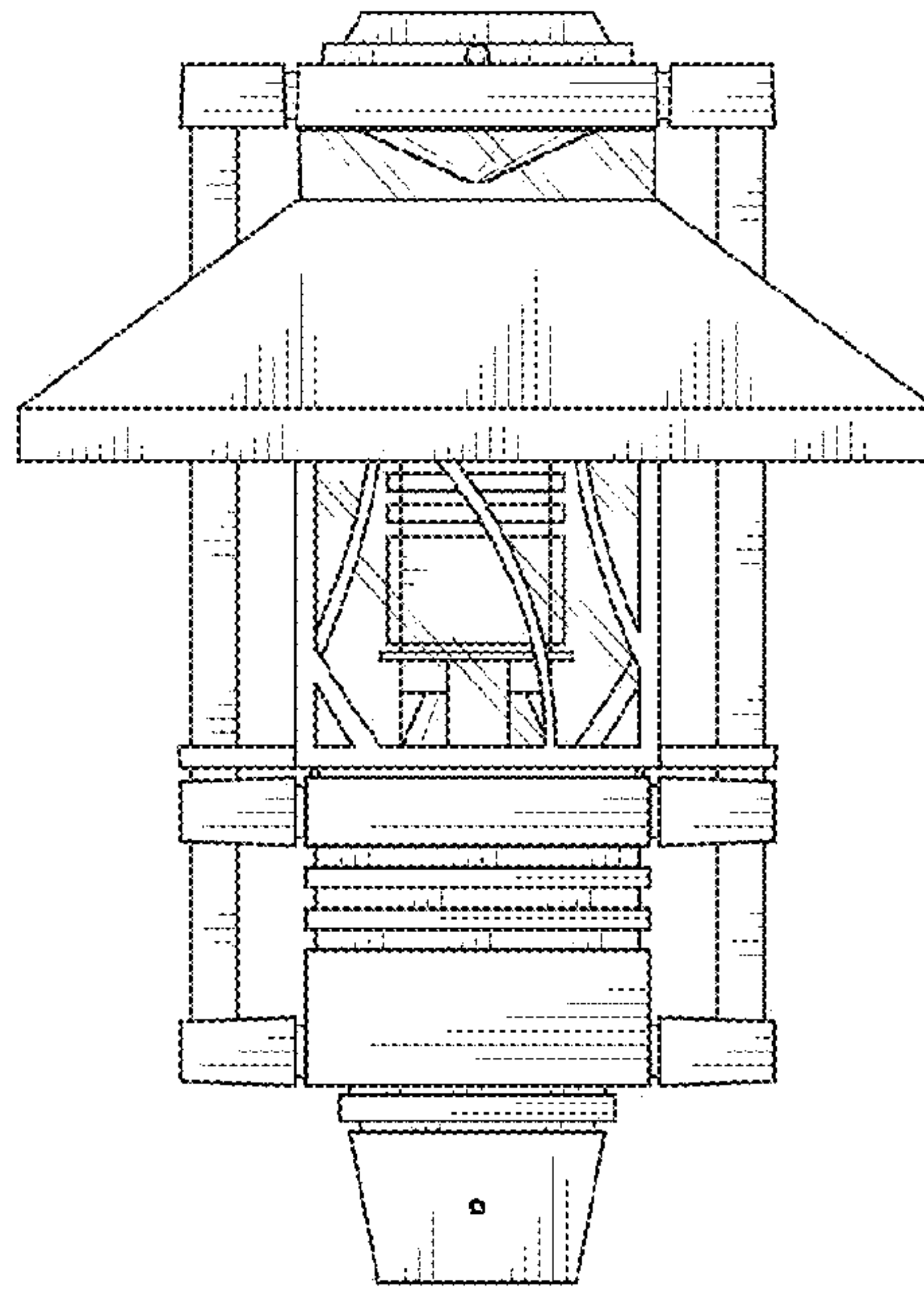


FIG. 3

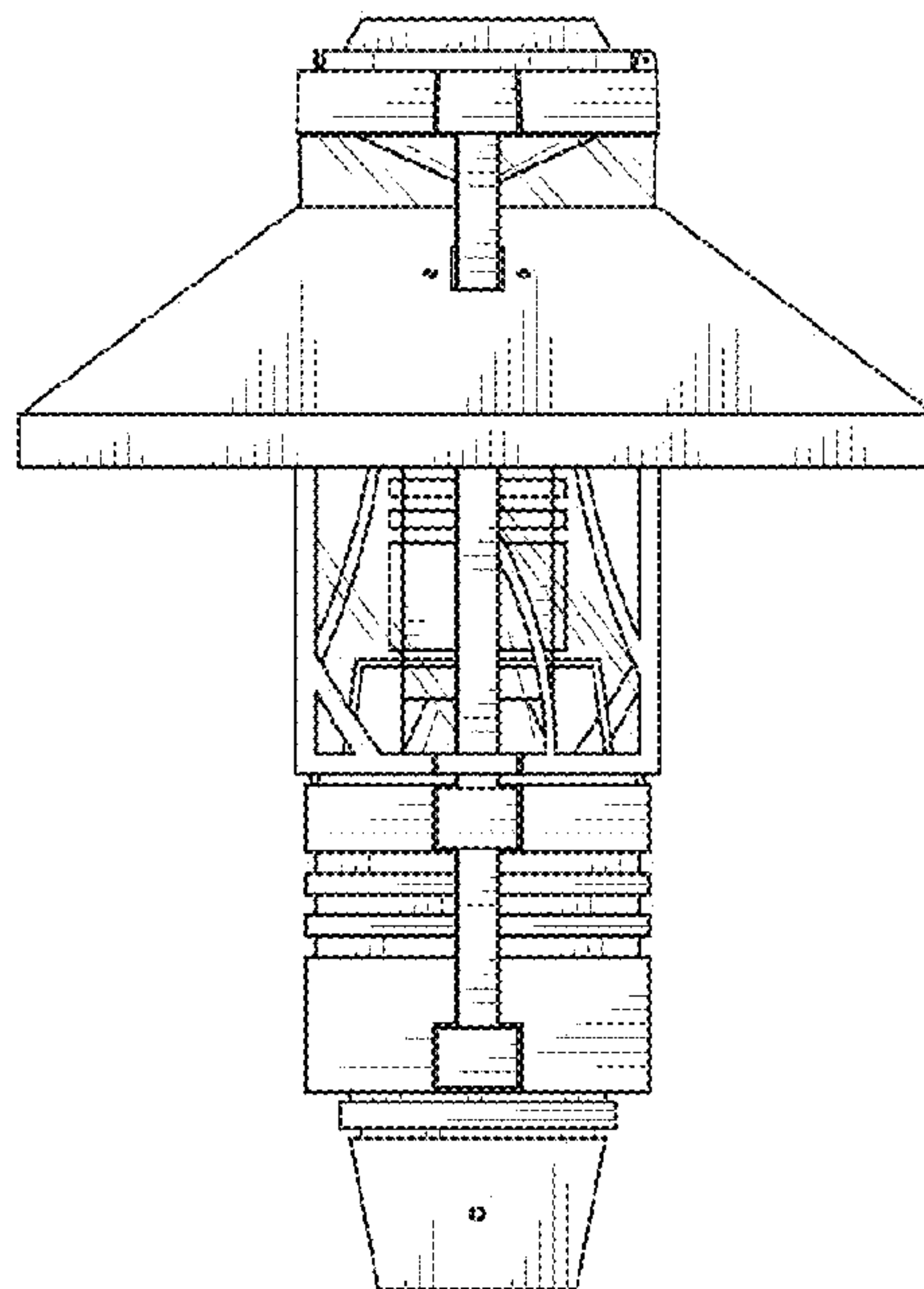


FIG. 4

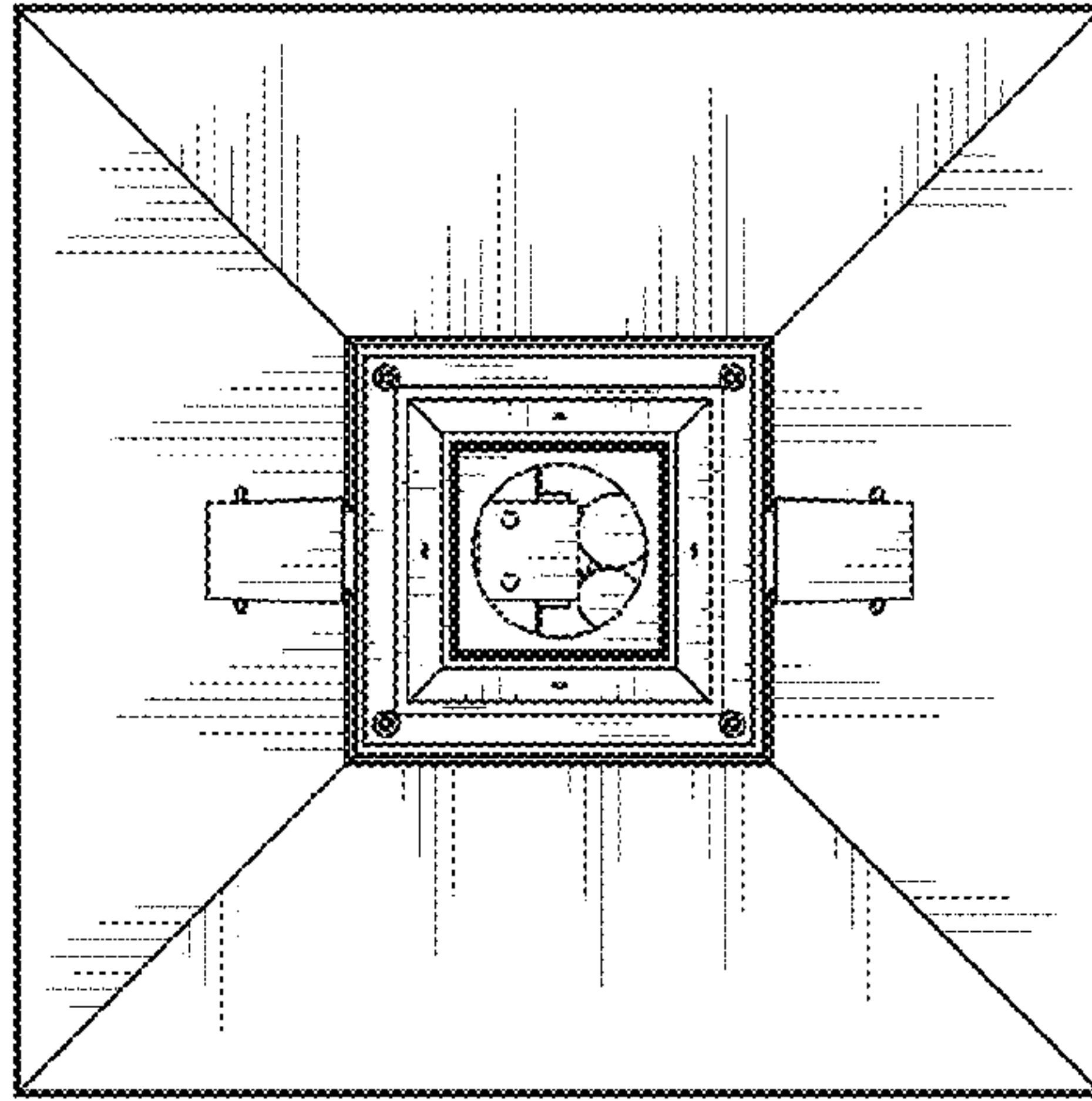


FIG. 5

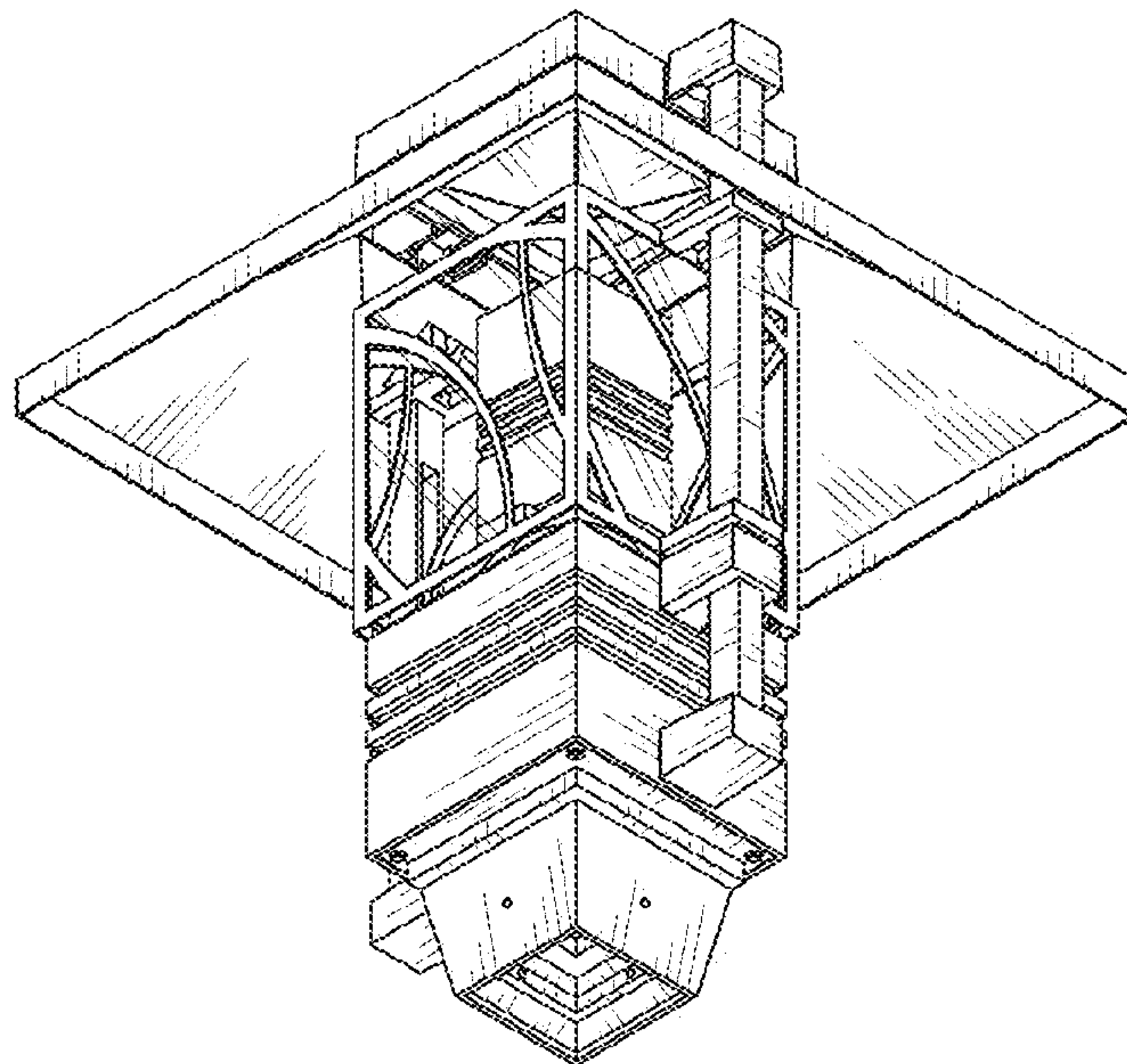


FIG. 6