



US00D751745S

(12) **United States Design Patent**
Wang

(10) **Patent No.:** **US D751,745 S**
(45) **Date of Patent:** **** Mar. 15, 2016**

(54) **WALL LAMP**

(56) **References Cited**

(71) Applicant: **Xiamen Xing HengLong Lighting Technology Co., Ltd.**, Xiamen (CN)

U.S. PATENT DOCUMENTS

(72) Inventor: **Hongyan Wang**, Xiamen (CN)

D535,774 S *	1/2007	Weston et al.	D26/61
D615,235 S *	5/2010	Zheng	D26/63
D642,721 S *	8/2011	Li et al.	D26/63
D644,776 S *	9/2011	Rea et al.	D26/63
D695,435 S *	12/2013	Pedersen	D26/63

(73) Assignee: **Xiamen Xing Henglong Lighting Technology Co., Ltd.**, Xiamen (CN)

* cited by examiner

(**) Term: **14 Years**

Primary Examiner — Brian N Vinson

(21) Appl. No.: **29/492,419**

(74) *Attorney, Agent, or Firm* — Wang Law Firm, Inc.

(22) Filed: **May 30, 2014**

(57) **CLAIM**

The ornamental design for a wall lamp, as shown and described.

(51) **LOC (10) Cl.** **26-03**

DESCRIPTION

(52) **U.S. Cl.**
USPC **D26/63**

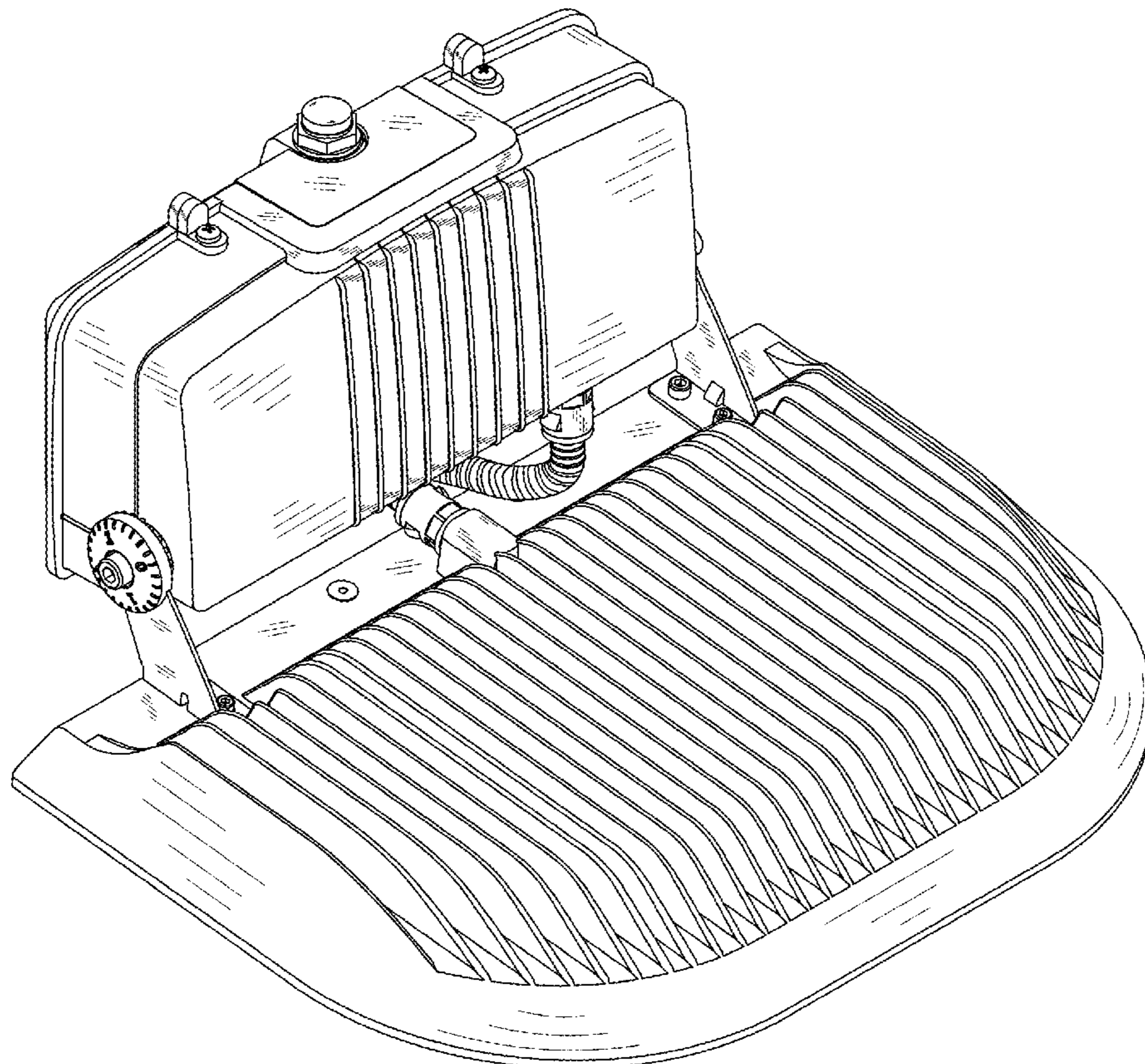
(58) **Field of Classification Search**
USPC D26/1, 24, 61, 63, 65, 85, 92
CPC F21V 21/14; F21V 15/01; F21V 14/02;
F21V 21/30; F21V 21/00; F21V 14/00;
F21S 8/00; F21S 8/003; F21S 8/043; F21Y
2105/001

FIG. 1 is a front view of a wall lamp showing my new design;
FIG. 2 is a rear view thereof;
FIG. 3 is a left side view thereof;
FIG. 4 is a right side view thereof;
FIG. 5 is a top plan view thereof;
FIG. 6 is a bottom plan view thereof; and,
FIG. 7 is a perspective view thereof.

The broken line disclosure in the views represents portions of the wall lamp which form no part of the claimed design.

See application file for complete search history.

1 Claim, 7 Drawing Sheets



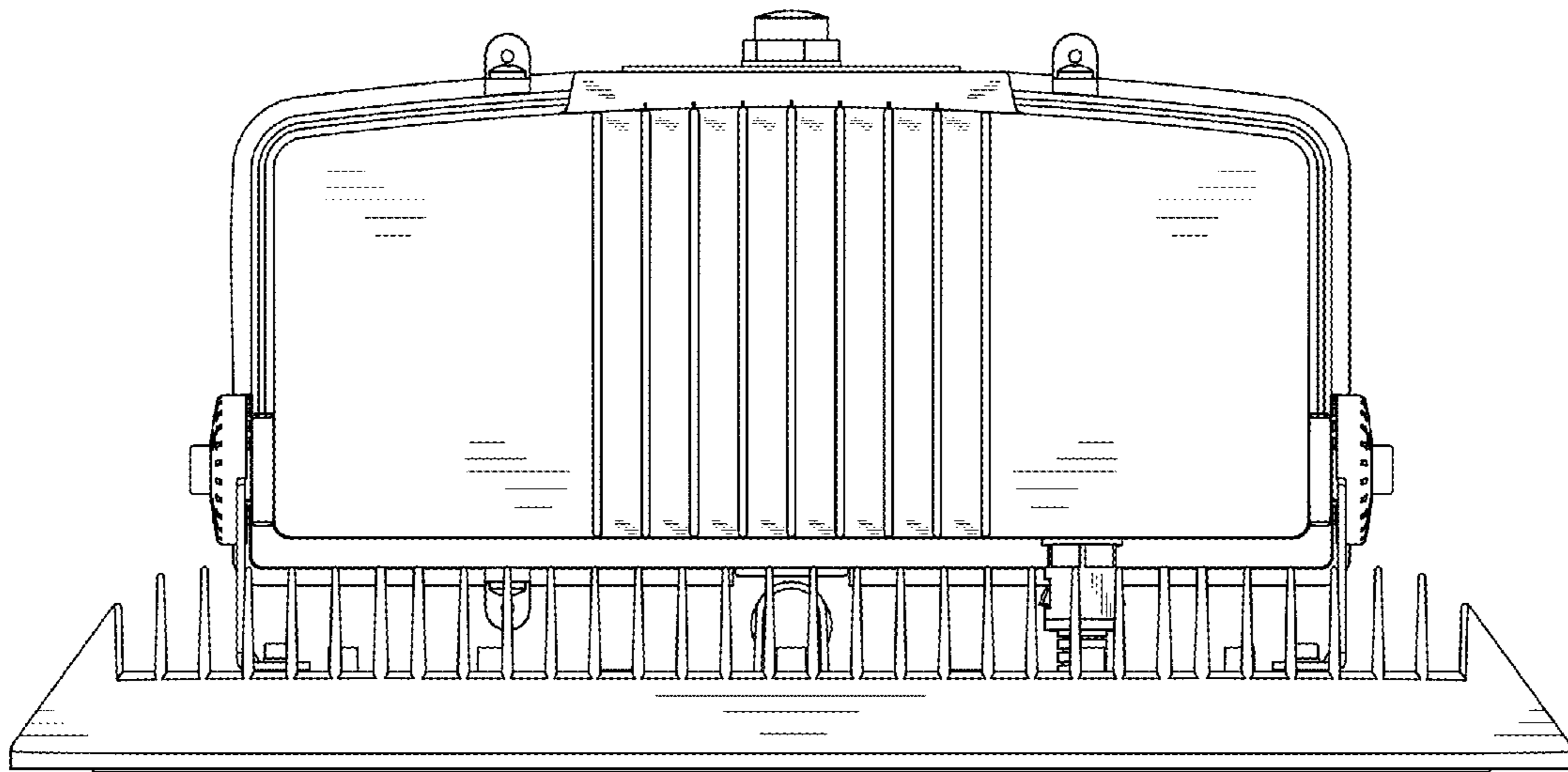


FIG. 1

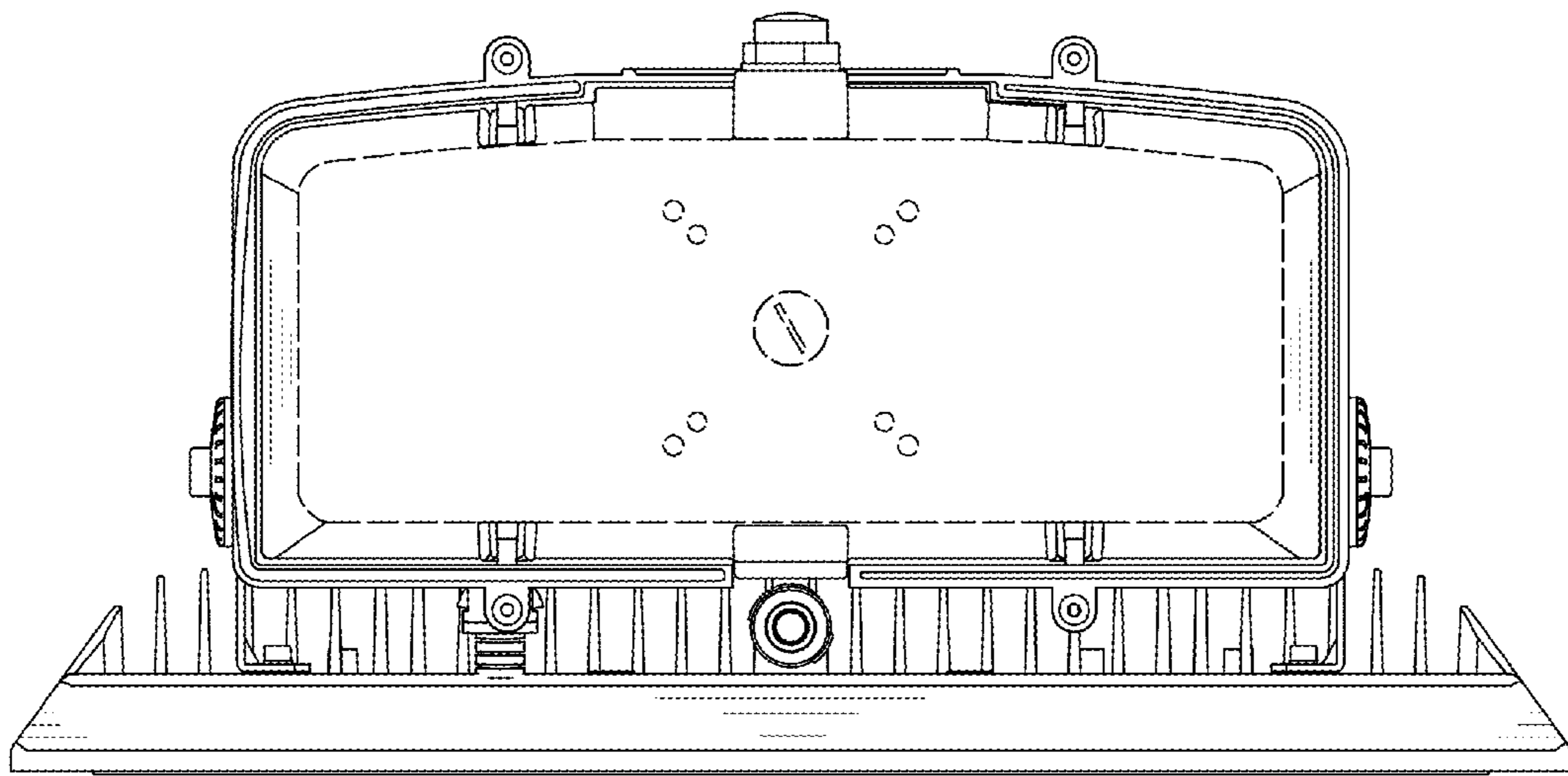


FIG. 2

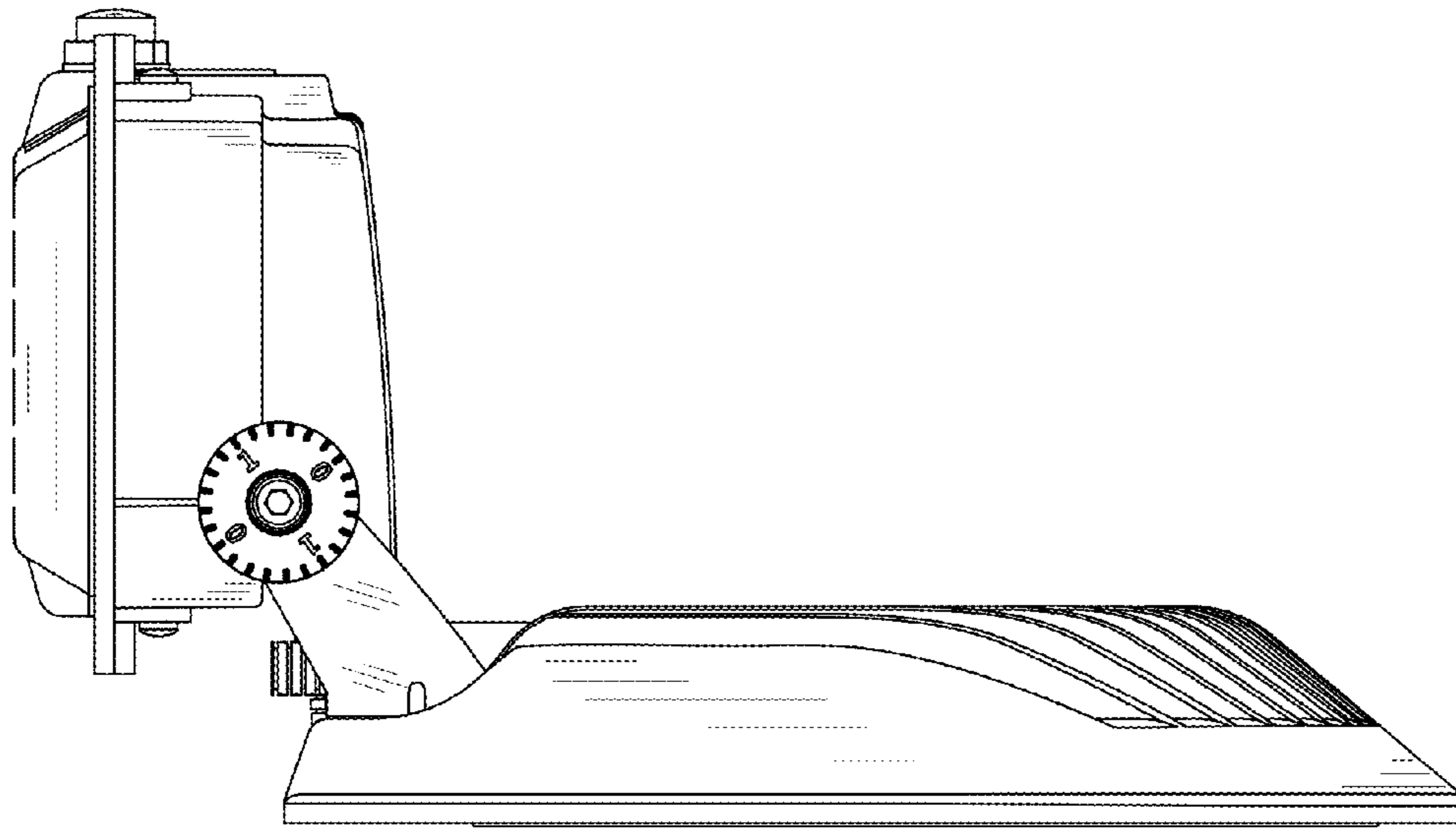


FIG. 3

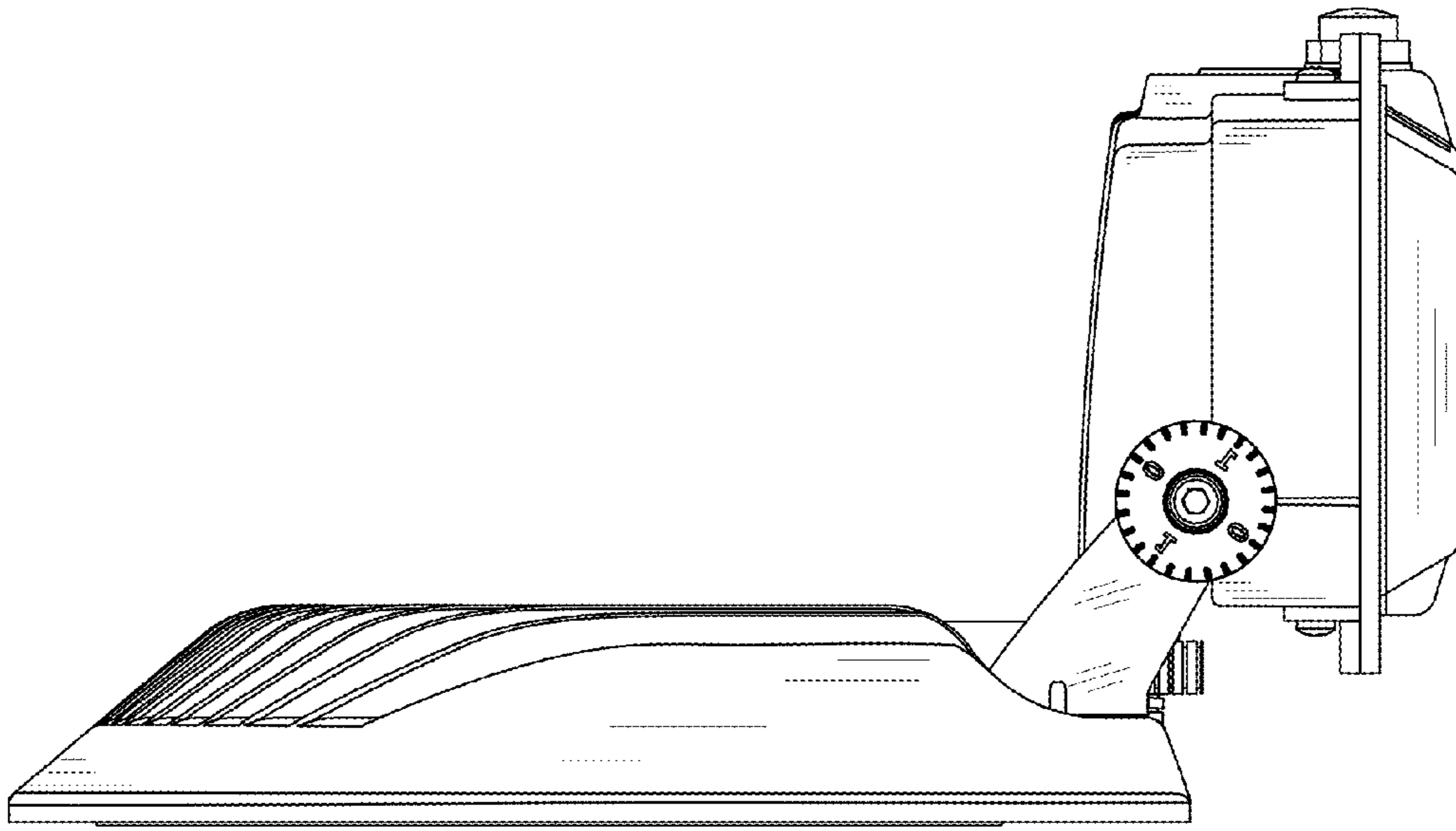


FIG. 4

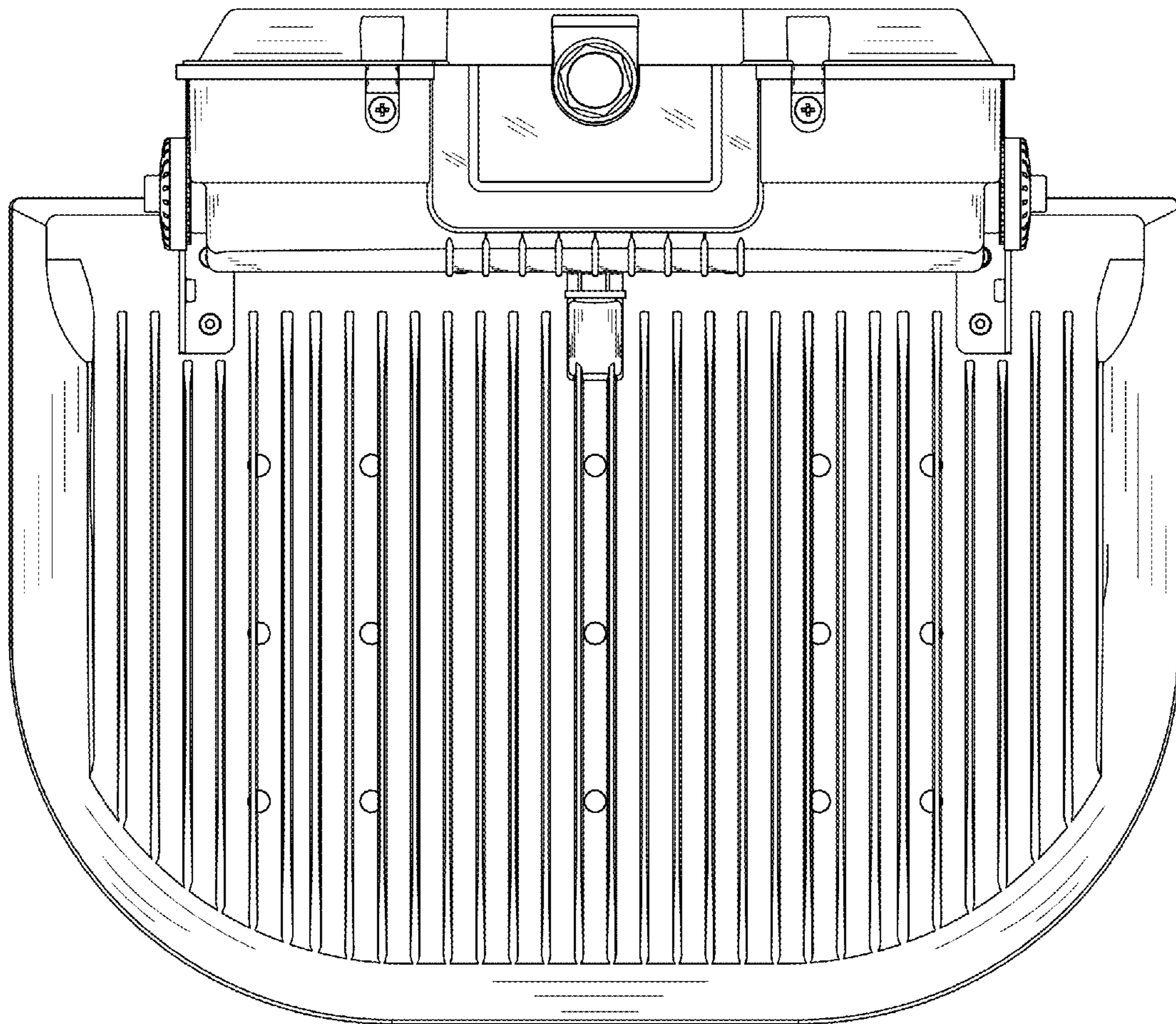


FIG. 5

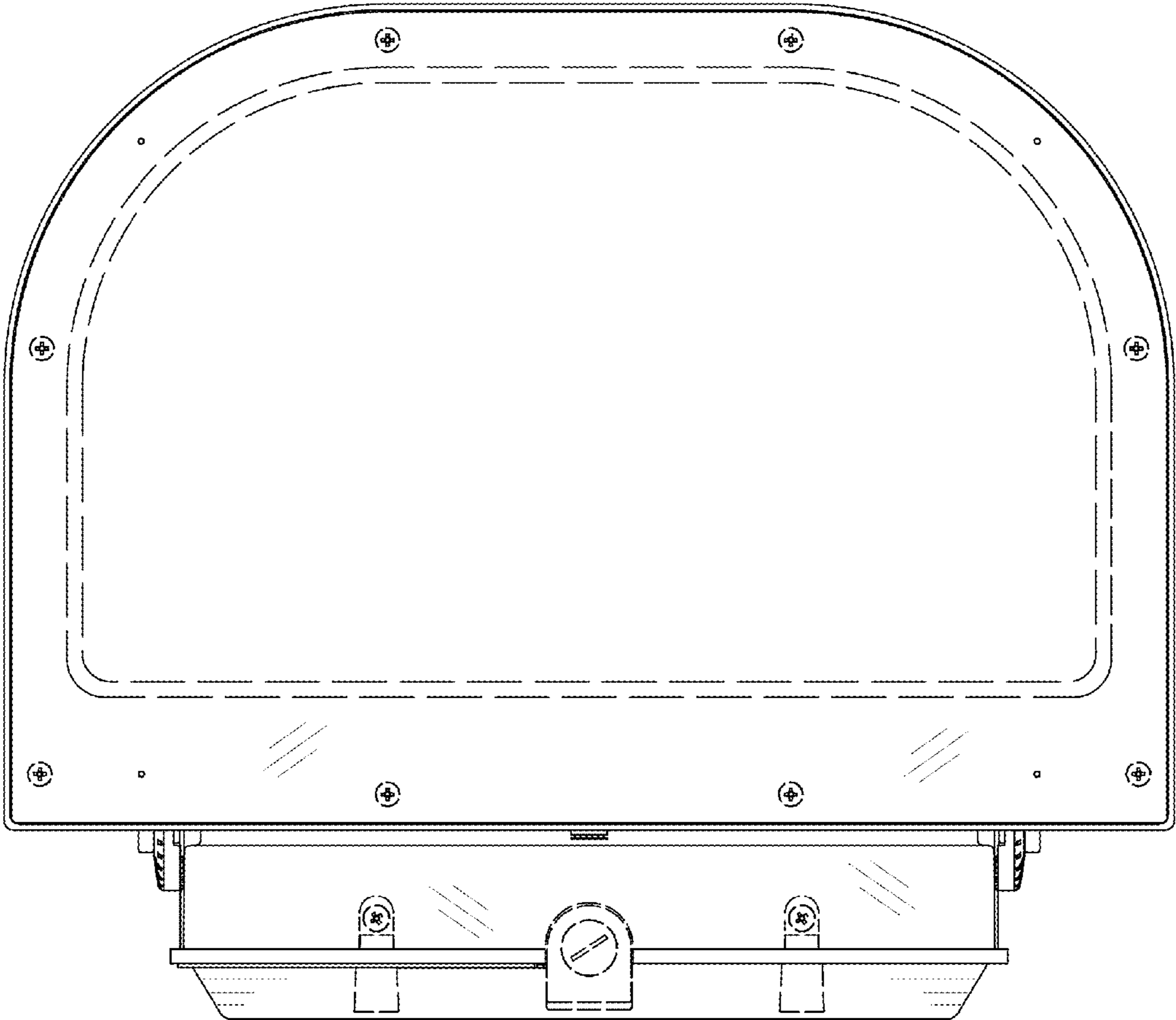


FIG. 6

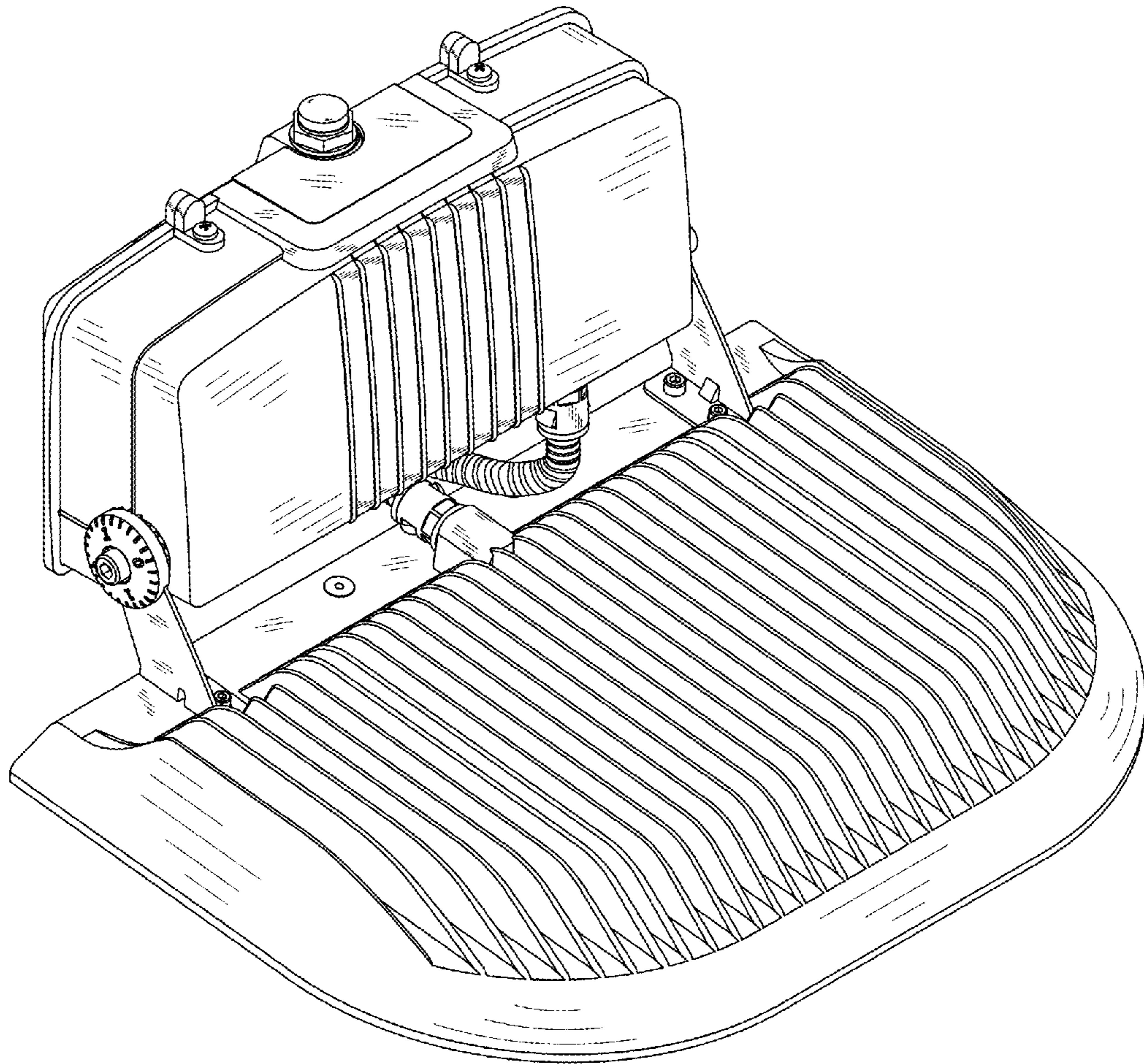


FIG. 7