



US00D751744S

(12) **United States Design Patent**
Watson et al.

(10) **Patent No.:** **US D751,744 S**
(45) **Date of Patent:** **** Mar. 15, 2016**

(54) **LIGHT**
(71) Applicant: **RA Brands, L.L.C.**, Madison, NC (US)
(72) Inventors: **Jason Timothy Watson**, Charlotte, NC (US); **Jeremy Eric Losaw**, Charlotte, NC (US)

D509,612 S * 9/2005 Amarin D26/39
D532,538 S * 11/2006 Yuen D26/39
7,188,967 B2 3/2007 Dalton et al.
D553,270 S * 10/2007 Xu D26/28
7,431,471 B1 10/2008 Wade
D605,319 S * 12/2009 Devaney et al. D26/39

(Continued)

(73) Assignee: **RA Brands, L.L.C.**, Madison, NC (US)

FOREIGN PATENT DOCUMENTS

(**) Term: **14 Years**

GB 2045914 11/1980

(21) Appl. No.: **29/473,884**

OTHER PUBLICATIONS

(22) Filed: **Nov. 26, 2013**

“Dog Cat Pets Eye View Digital Clip-On Collar Camera”, www.dhgate.com, <http://www.dhgate.com/product/lowest-price-dhl-free-dog-cat-pet-s-eye-view/13654674.html>.

(51) **LOC (10) Cl.** **26-05**

(Continued)

(52) **U.S. Cl.**
USPC **D26/51**; D26/113; D26/39

(58) **Field of Classification Search**
USPC D26/37, 38, 39, 40, 28, 113; 362/157, 362/158, 184, 183, 194–196, 202–208, 362/103–108, 253, 396
CPC F21V 33/00; F21V 14/025; F21V 21/406; F21Y 2101/02; F21L 17/00; F21L 13/08; F21L 2001/00; F21L 14/02
See application file for complete search history.

Primary Examiner — Ian Simmons
Assistant Examiner — Carissa C Fitts
(74) *Attorney, Agent, or Firm* — Womble Carlyle Sandridge & Rice, LLP

(57) **CLAIM**
The ornamental design for a light, as shown and described.

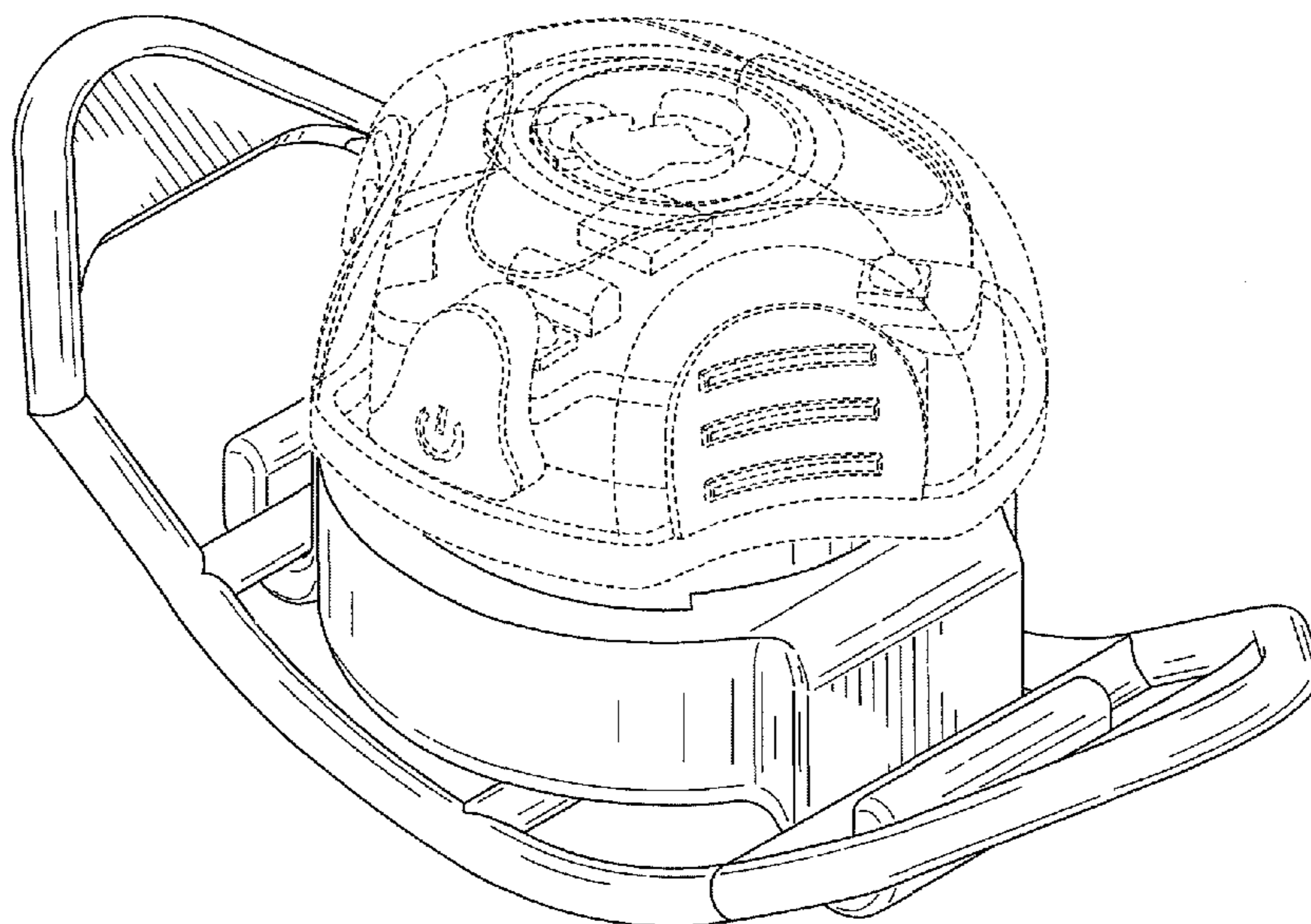
DESCRIPTION

(56) **References Cited**
U.S. PATENT DOCUMENTS

4,173,201 A 11/1979 Chao et al.
5,193,896 A 3/1993 Oberlander
D362,312 S * 9/1995 Chen D26/39
D362,920 S * 10/1995 Schwartz D26/39
D374,731 S * 10/1996 Anwyl-Davies D26/39
5,630,382 A 5/1997 Barbera et al.
6,224,235 B1 5/2001 Parker
6,289,849 B1 9/2001 Macedo et al.
6,805,460 B1 10/2004 Zoller et al.
6,877,889 B2 4/2005 Peng et al.

FIG. 1 is a perspective view of a light, in accordance with the present invention;
FIG. 2 is a front elevation view of the light of FIG. 1;
FIG. 3 is a rear elevation view of the light of FIG. 1;
FIG. 4 is a left elevation view of the light of FIG. 1;
FIG. 5 is a right elevation view of the light of FIG. 1;
FIG. 6 is a top plan view of the light of FIG. 1; and,
FIG. 7 is a bottom plan view of the light of FIG. 1.
The broken line showing represents portions of the article not claimed and forms no part of the claimed design.

1 Claim, 6 Drawing Sheets



(56)

References Cited

U.S. PATENT DOCUMENTS

7,878,154 B2 2/2011 Ferworn et al.
 8,069,538 B2 12/2011 Wilcox
 8,230,823 B2 7/2012 Simoni
 8,319,437 B2 11/2012 Carlin et al.
 8,362,713 B2 1/2013 Recker et al.
 D676,992 S * 2/2013 Trude D26/39
 D682,451 S * 5/2013 Hardy D26/60
 D690,855 S * 10/2013 Araujo et al. D26/39
 8,752,974 B2 * 6/2014 Leibowitz A63B 71/0686
 362/103
 8,863,362 B2 * 10/2014 Kelleghan A44B 11/268
 24/615
 D734,518 S * 7/2015 Zimmermann D26/39
 D739,974 S * 9/2015 Kelleghan D11/201
 9,155,168 B2 * 10/2015 Araujo H05B 37/0227
 2007/0086182 A1 4/2007 Kelly
 2008/0106890 A1 5/2008 Sowakinas
 2008/0163827 A1 7/2008 Goetzl
 2012/0206906 A1 8/2012 Gindi
 2012/0212937 A1 8/2012 Muller et al.
 2013/0258686 A1 10/2013 Ford

OTHER PUBLICATIONS

“Dog Light—A Useful Safety Gift”, www.squidoo.com, <http://comfortdoc.squidoo.com/dog-light>.

“Innotek/Sport Dog Collar Light White Flash”, www.grabgun.com, http://grabgun.com/innotck-sport-dog-collar-light-white-flash.html?gclid=CIXvhKiv_bkCFQie4AodRTkAbQ.
 “Nite Ize Pet Lite LED Collar Light—3 options”, www.opticsplanet.com, <http://www.opticsplanet.com/nite-ize-pet-lite-led-collar-light.html>.
 “Pet Digital Camera for Dog Cat Clip-On Collar Digital Camera”, www.dhgate.com, <http://www.dhgate.com/product/pet-digital-camera-for-dog-cat-clip-on-collar/137708846.html>.
 “Pleiad Compact Basic G3”, www.fagerhult.com, http://www.fagerhult.com/shop/produkt.asp?sprak=1002&kategori_id=3&serie_id=768&produkt_id=3244.
 “PupLight 2 Safety Light with Reflective Collar”, www.drsofostersmith.com, http://www.drsofostersmith.com/product/product_display.cfm?pcatid=26425.
 “Snap-in Mounting Flange for 2 1/2" Round Lamps”, www.grote.com, http://www.grote.com/product.php?product_number=42170.
 Julie Strietelmeier, “Tagg the Pet Tracker Review”, Dec. 29, 2011, www.the-gadgeteer.com, <http://the-gadgeteer.com/2011/12/29/tagg-the-pet-tracker-review>.
 13 pages of images of dog collar clips found in Google Search at <https://www.google.com/search?q=citronella+dog+barking+collar&rls=com.microsoft:en...>
 6 pages of images of citronella dog barking collar clips found in Google Search at <https://www.google.com/search?q=citronella+dog+barking+collar&rls=com.microsoft:en...>

* cited by examiner

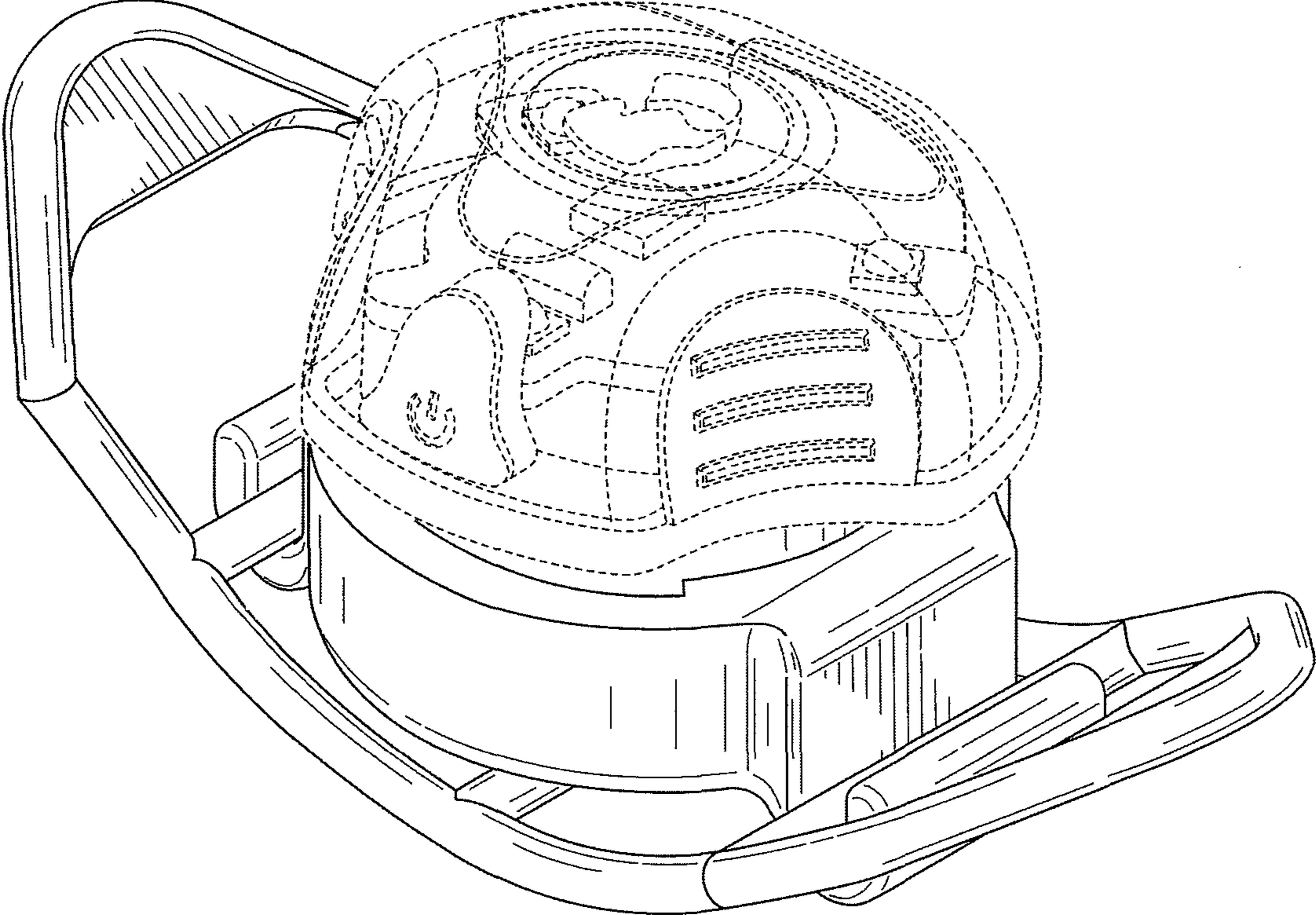


FIG. 1

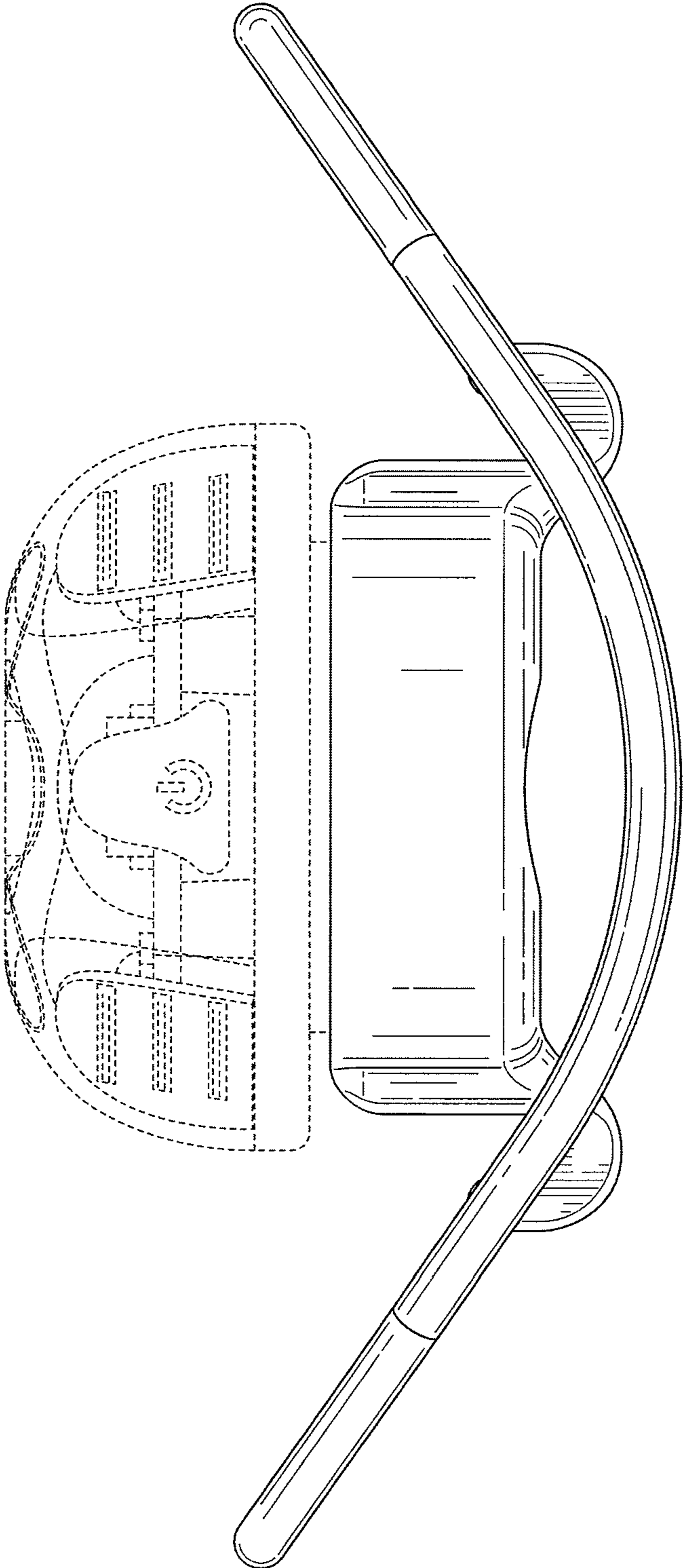


FIG. 2

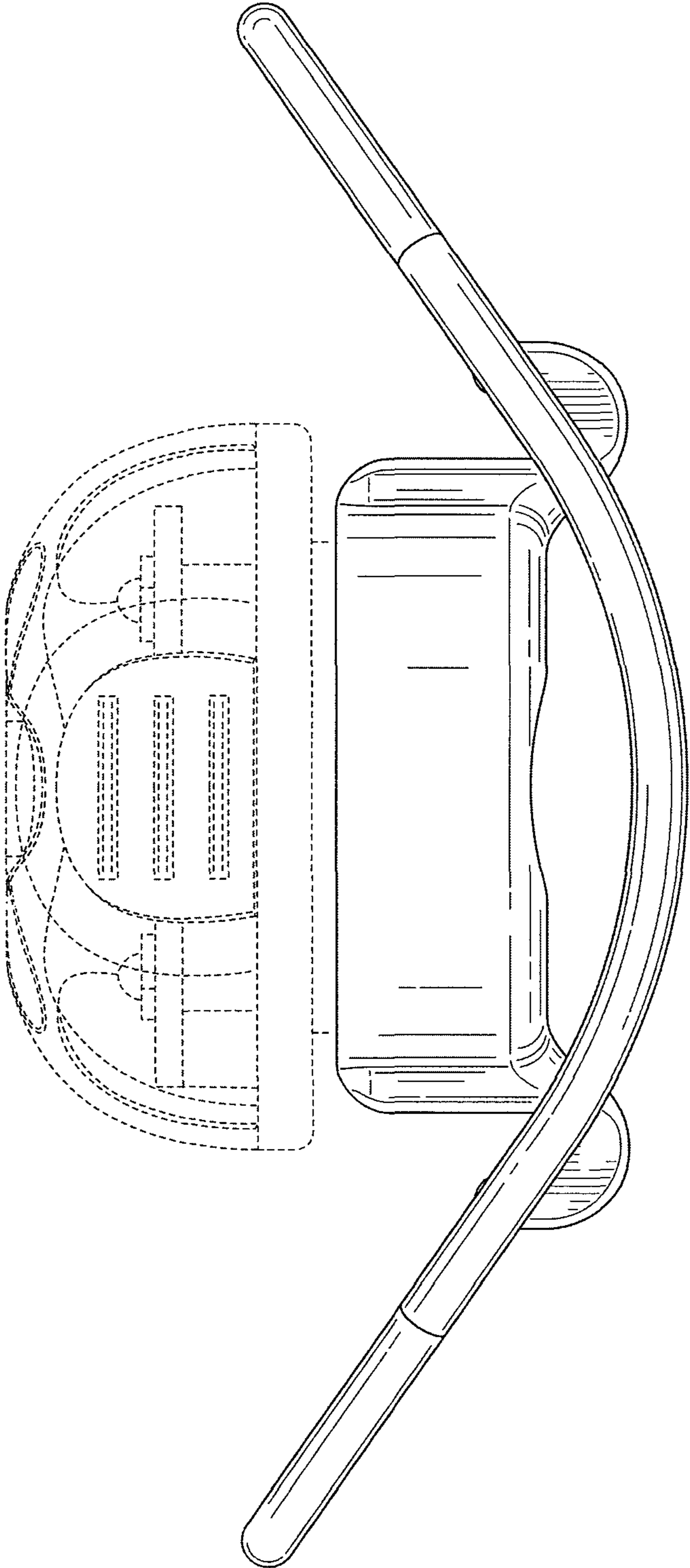


FIG. 3

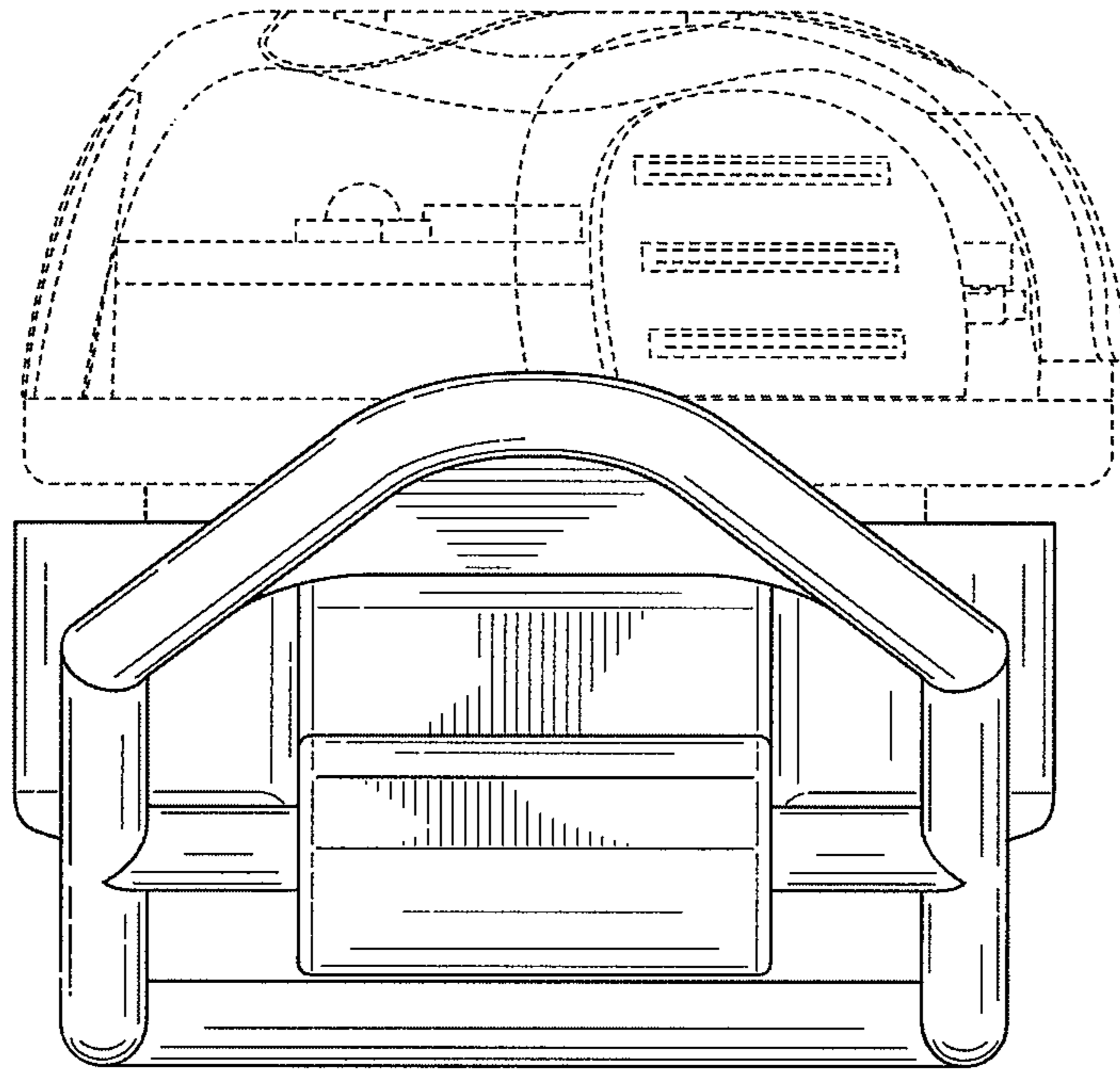


FIG. 4

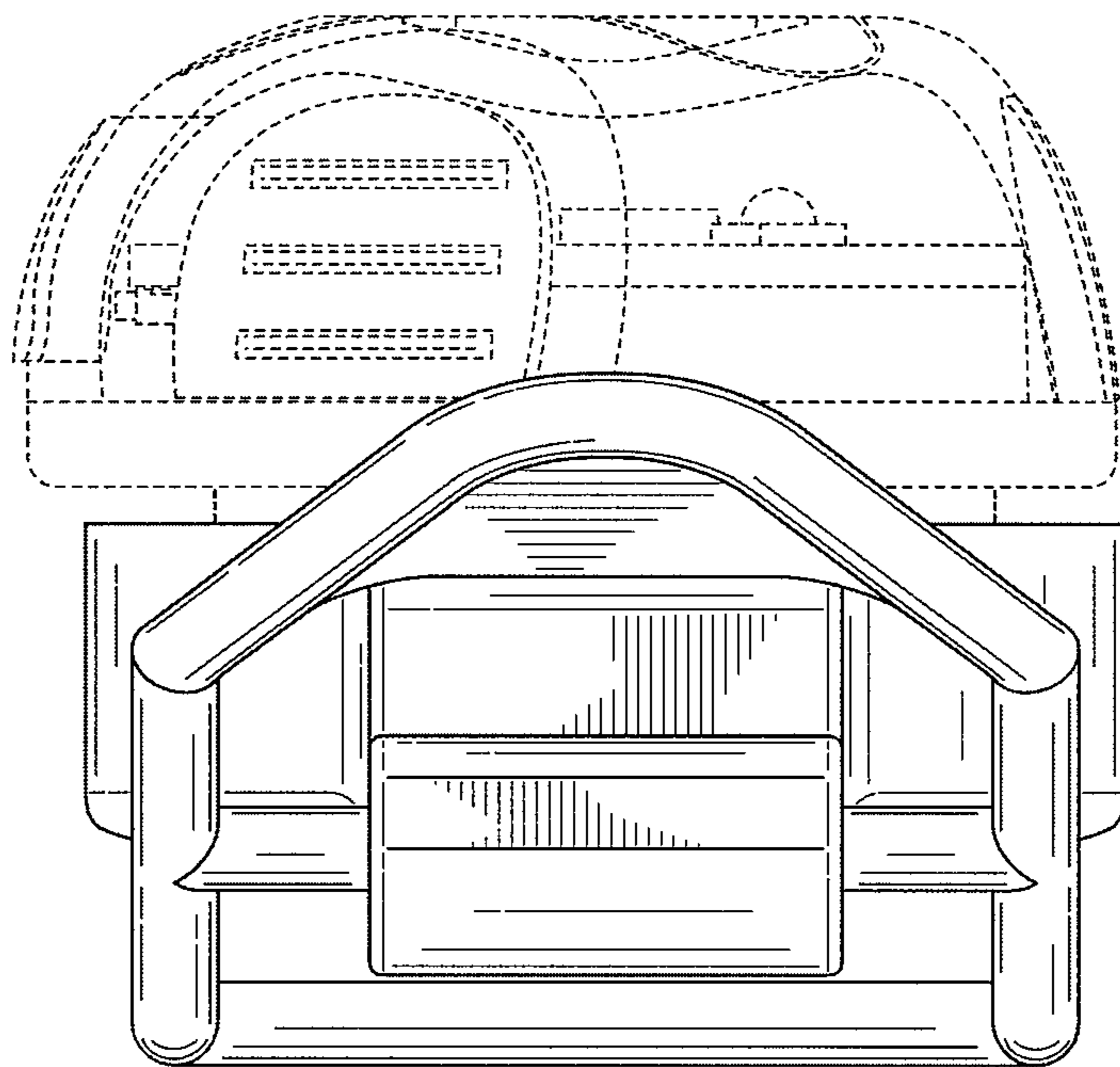


FIG. 5

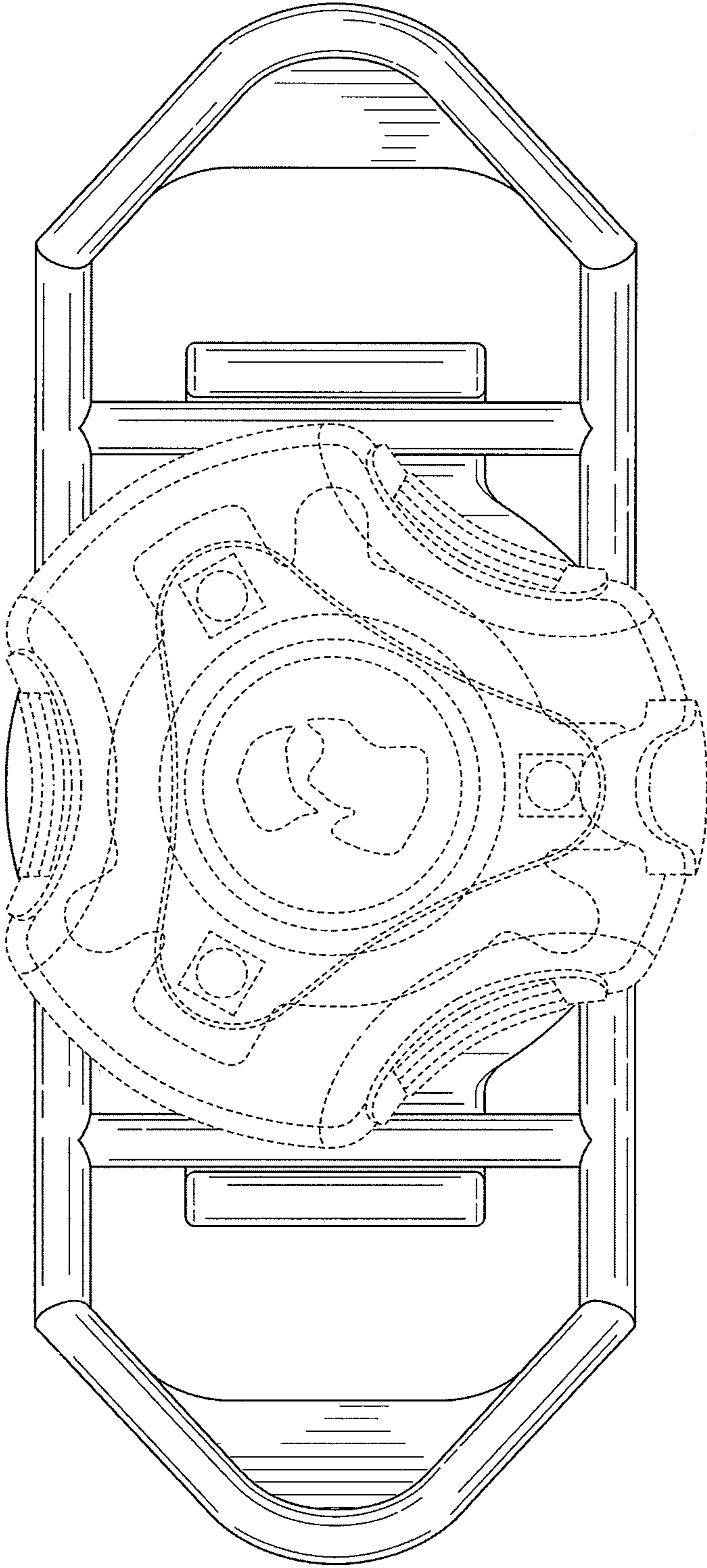


FIG. 6

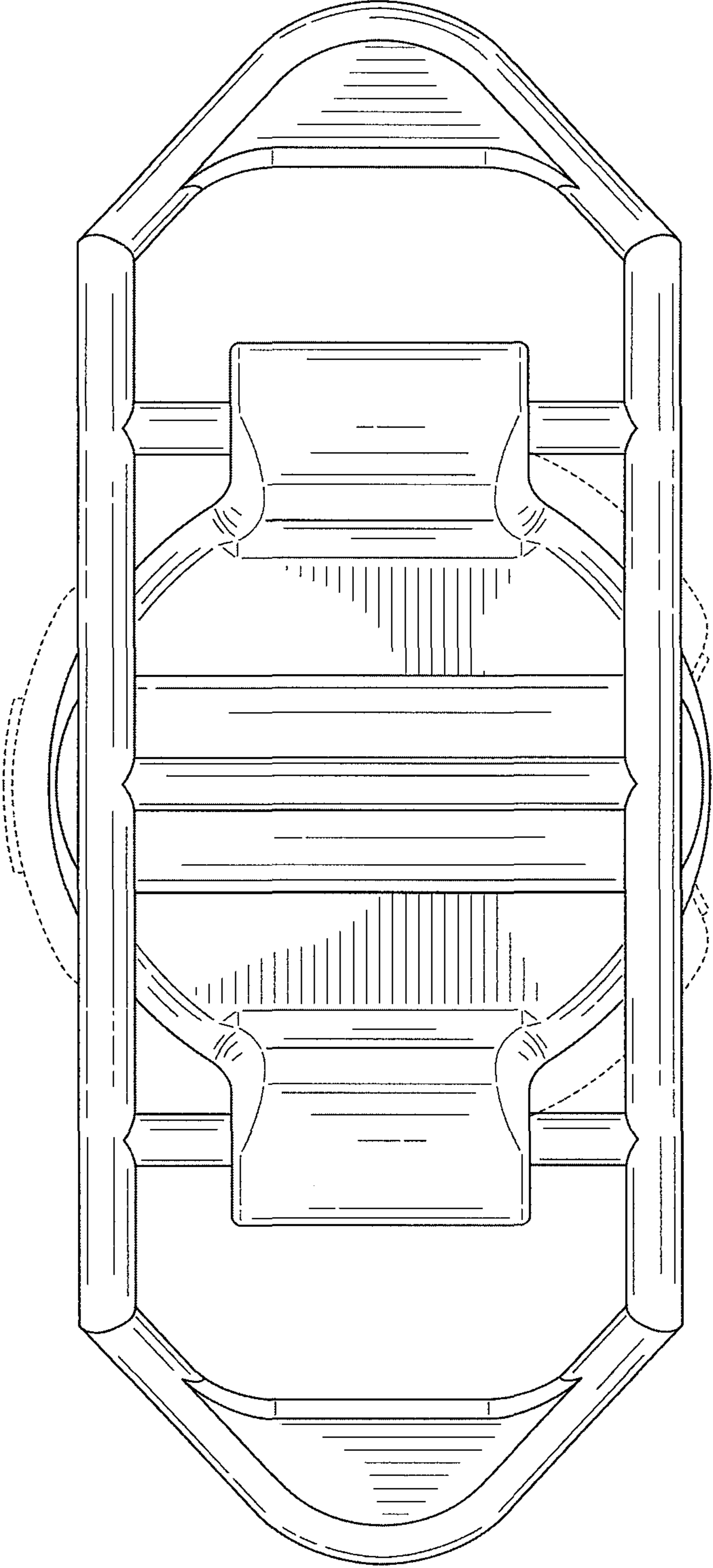


FIG. 7