



US00D751739S

(12) **United States Design Patent**
Hamasaki

(10) **Patent No.:** **US D751,739 S**
(45) **Date of Patent:** **** Mar. 15, 2016**

(54) **CYCLING HEADLIGHT**

(71) Applicant: **SSB Design, Inc.**, Santa Ana, CA (US)

(72) Inventor: **Noriaki Hamasaki**, Lake Forest, CA (US)

(73) Assignee: **SSB DESIGN, INC.**, Santa Ana, CA (US)

(**) Term: **14 Years**

(21) Appl. No.: **29/511,317**

(22) Filed: **Dec. 9, 2014**

Related U.S. Application Data

(63) Continuation-in-part of application No. 29/500,948, filed on Aug. 29, 2014.

(51) **LOC (10) Cl.** **26-06**

(52) **U.S. Cl.**
USPC **D26/28**

(58) **Field of Classification Search**

USPC D26/2, 72, 89, 113, 118, 119, 120, 122, D26/124, 128, 138, 142, 143, 145; D13/180
CPC F41C 27/00; F41C 33/0254; G02B 5/045; G02B 5/189; F21S 8/00; F21S 8/03; F21S 8/026; F21S 8/02; F21S 8/003; F21S 8/043; F21S 8/06; F21S 8/04; F21V 7/005; F21V 15/01; F21V 15/04; F21V 25/00; G02F 2001/133607; F21Y 2103/00

See application file for complete search history.

(56) **References Cited**

U.S. PATENT DOCUMENTS

D127,676 S * 6/1941 Dover D10/111
D332,234 S * 1/1993 Yuen D10/115
D367,719 S * 3/1996 Rasmusen D12/114
D393,086 S * 3/1998 Nagano D26/28
D441,471 S * 5/2001 Nagano D26/28

D462,467 S * 9/2002 Nakazawa D26/28
D484,996 S * 1/2004 Krieger D26/37
D494,295 S * 8/2004 Idei D26/28
D494,694 S * 8/2004 Krieger D26/37
D497,444 S * 10/2004 Okuda D26/28
D504,533 S * 4/2005 Hussaini D26/45
D507,064 S * 7/2005 Osiecki D26/37
D523,574 S * 6/2006 Lee D26/28

(Continued)

OTHER PUBLICATIONS

USB Light—TinEye, image post date Sep. 12, 2014, site visited Nov. 6, 2015, (online), <<https://www.tineye.com/search/585029565c4521675e23e9c50f2a812212bleef7/>>.*

Primary Examiner — Kevin Rudzinski
Assistant Examiner — Sean D Lough

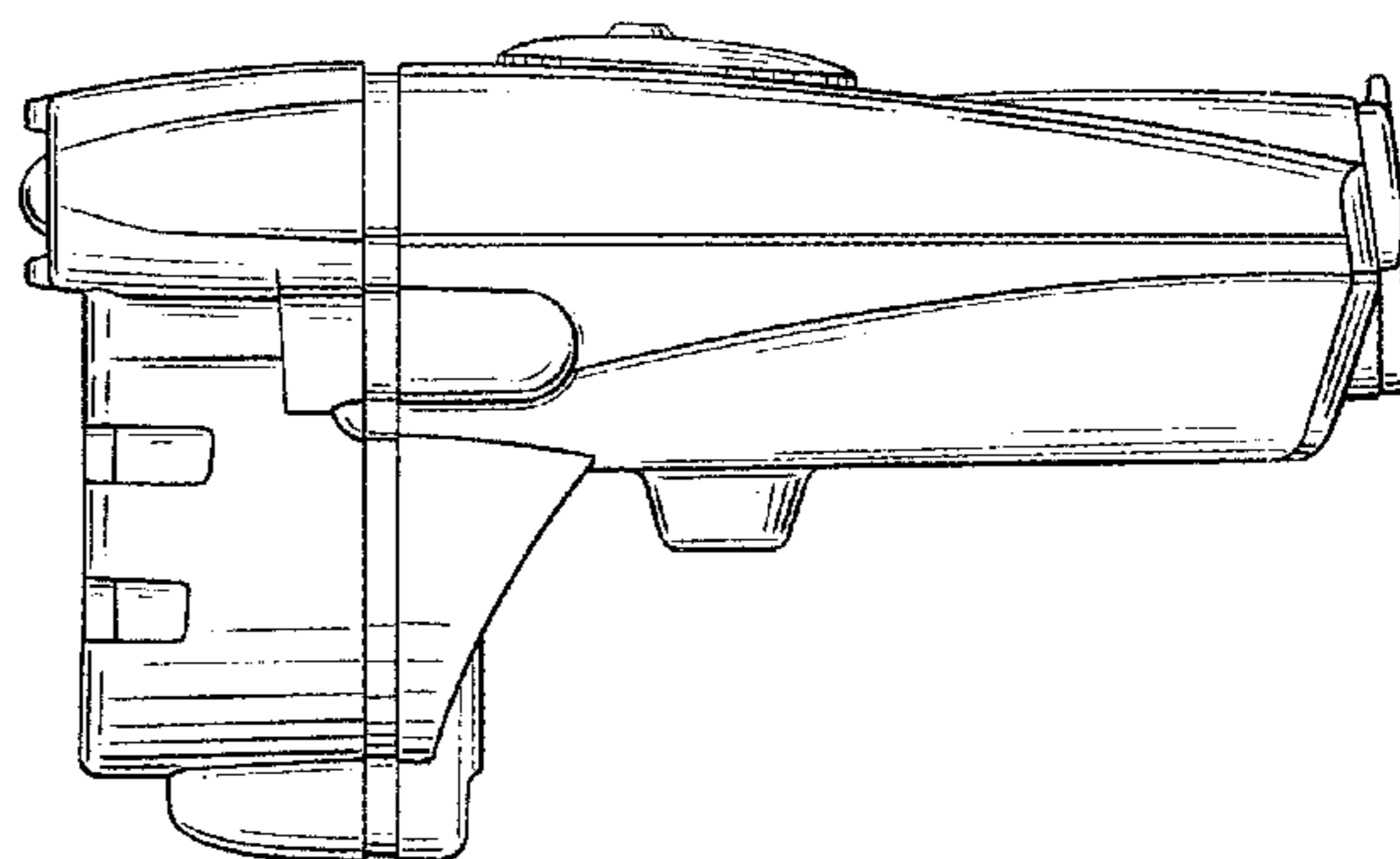
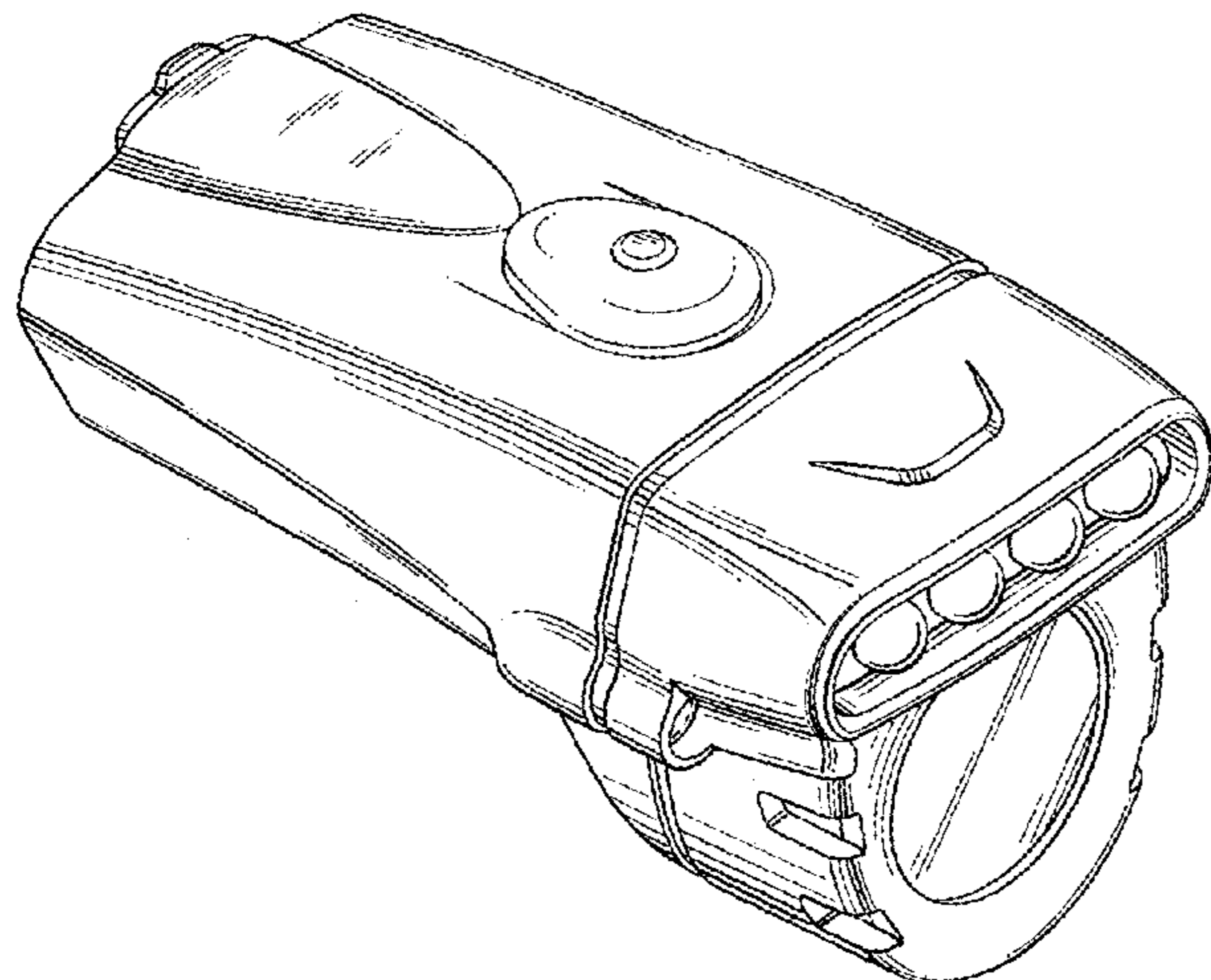
(57) **CLAIM**

I claim an ornamental design for a cycling headlight, as shown and described.

DESCRIPTION

FIG. 1 is a perspective view of the cycling headlight of the present invention;
FIG. 2 represents a top plan view of the cycling headlight of the present invention;
FIG. 3 represents a bottom plan view of the cycling headlight of the present invention;
FIG. 4 represents a left side view of the cycling headlight wherein the right side view is a mirror image of the left side view;
FIG. 5 is a front elevational view of the cycling headlight of the present invention; and,
FIG. 6 is a rear elevational view of the cycling headlight of the present invention.
The broken lines (where present) in all Figures illustrate portions of the Cycling Headlight that forms no part of the claim design.

1 Claim, 5 Drawing Sheets



(56)

References Cited

U.S. PATENT DOCUMENTS

D528,676 S *	9/2006	Leslie	D26/28	D643,569 S *	8/2011	Abate	D26/118
D528,678 S *	9/2006	Yen	D26/28	D648,056 S *	11/2011	Muehlhaeusler	D26/63
D529,639 S *	10/2006	Okuda	D26/28	D652,983 S *	1/2012	Quadri	D26/118
D535,761 S *	1/2007	Li	D26/24	D656,644 S *	3/2012	Lee	D26/39
D535,766 S *	1/2007	Lee	D26/28	8,152,340 B1 *	4/2012	Nguyen	F21V 5/04 362/362
D540,481 S *	4/2007	Okuda	D26/28	D663,451 S *	7/2012	Ueda	D26/28
D540,966 S *	4/2007	Ueda	D26/28	D663,453 S *	7/2012	Nagano	D26/28
D540,968 S *	4/2007	Lee	D26/37	D667,152 S *	9/2012	Hamasaki	D26/28
D544,973 S *	6/2007	Lee	D26/37	D667,580 S *	9/2012	Lee	D26/28
D547,475 S *	7/2007	Xu	D26/39	D670,838 S *	11/2012	Ueda	D26/28
D556,927 S *	12/2007	Shiu	D26/39	D678,562 S *	3/2013	Chan	D26/28
D558,376 S *	12/2007	Posey	D26/72	D679,040 S *	3/2013	Cen	D26/28
D559,417 S *	1/2008	Krieger	D26/37	D679,446 S *	4/2013	Harrington, Jr.	D26/124
D560,832 S *	1/2008	Hsu	D26/28	D687,990 S *	8/2013	Yeh	D26/46
D560,834 S *	1/2008	Nagano	D26/28	D688,826 S *	8/2013	Fang	D26/74
D561,920 S *	2/2008	Ueda	D26/28	D696,334 S *	12/2013	Li	D16/237
D567,420 S *	4/2008	Ho	D26/49	D699,887 S *	2/2014	Chen	D26/118
D568,502 S *	5/2008	Kudo	D26/28	8,651,714 B1 *	2/2014	Hamasaki	B62J 6/02 362/473
D568,509 S *	5/2008	Shiu	D26/39	D701,640 S *	3/2014	Wiegel	D26/140
D569,023 S *	5/2008	Lee	D26/60	D703,851 S *	4/2014	Gebhard	D26/44
D570,009 S *	5/2008	Kani	D26/28	D707,376 S *	6/2014	Cheung	D26/28
D571,029 S *	6/2008	Beigel	D26/28	D709,222 S *	7/2014	Poon	D26/28
D579,133 S *	10/2008	Shiu	D26/39	D709,225 S *	7/2014	Ueda	D26/28
D588,722 S *	3/2009	Cheng	D26/28	D710,048 S *	7/2014	Randolph	D26/120
D591,587 S *	5/2009	Mason	D8/354	D713,078 S *	9/2014	Shen	D26/41
D595,617 S *	7/2009	Million	D12/114	D715,975 S *	10/2014	Teranishi	D26/28
D598,145 S *	8/2009	Amor	D26/28	D715,980 S *	10/2014	Ueda	D26/28
D599,040 S *	8/2009	Alexander	D26/1	8,905,572 B2 *	12/2014	Mueckl	F21V 15/01 362/183
D601,733 S *	10/2009	Nagano	D26/37	D723,722 S *	3/2015	Negrete	D26/28
D605,339 S *	12/2009	Quadri	D26/118	8,974,098 B2 *	3/2015	McCaslin	B62J 6/003 362/184
D605,790 S *	12/2009	Hsing-Tsun	D26/28	D731,988 S *	6/2015	Urtiga	D13/180
D608,483 S *	1/2010	Lee	D26/60	D733,948 S *	7/2015	Liao	D26/28
D608,922 S *	1/2010	Hillard	D26/45	D741,739 S *	10/2015	Claret Marti	D10/113.1
D609,378 S *	2/2010	Lee	D26/60	D741,993 S *	10/2015	Tominaga	D24/108
D612,532 S *	3/2010	Toft	D26/138	2005/0111218 A1 *	5/2005	Lee	F21L 13/06 362/192
D617,935 S *	6/2010	Miletich	D26/76	2007/0159819 A1 *	7/2007	Bayat	F21L 4/02 362/236
D622,408 S *	8/2010	Leonard	D25/16	2008/0266883 A1 *	10/2008	Chen	F21V 21/04 362/365
D628,323 S *	11/2010	Matthews	D22/108	2010/0246172 A1 *	9/2010	Liu	F21S 8/026 362/235
D628,341 S *	11/2010	Redfern	D26/138	2012/0014105 A1 *	1/2012	Jigamian	F21V 15/04 362/267
D629,538 S *	12/2010	Nagano	D26/28				
7,866,850 B2 *	1/2011	Alexander	F21V 19/001 362/147				
D636,508 S *	4/2011	Nagano	D26/28				
D640,397 S *	6/2011	Molina	D26/38				
D641,504 S *	7/2011	Lin	D26/28				
D642,311 S *	7/2011	Ma	D26/41				
D642,714 S *	8/2011	Chuah	D26/60				

* cited by examiner

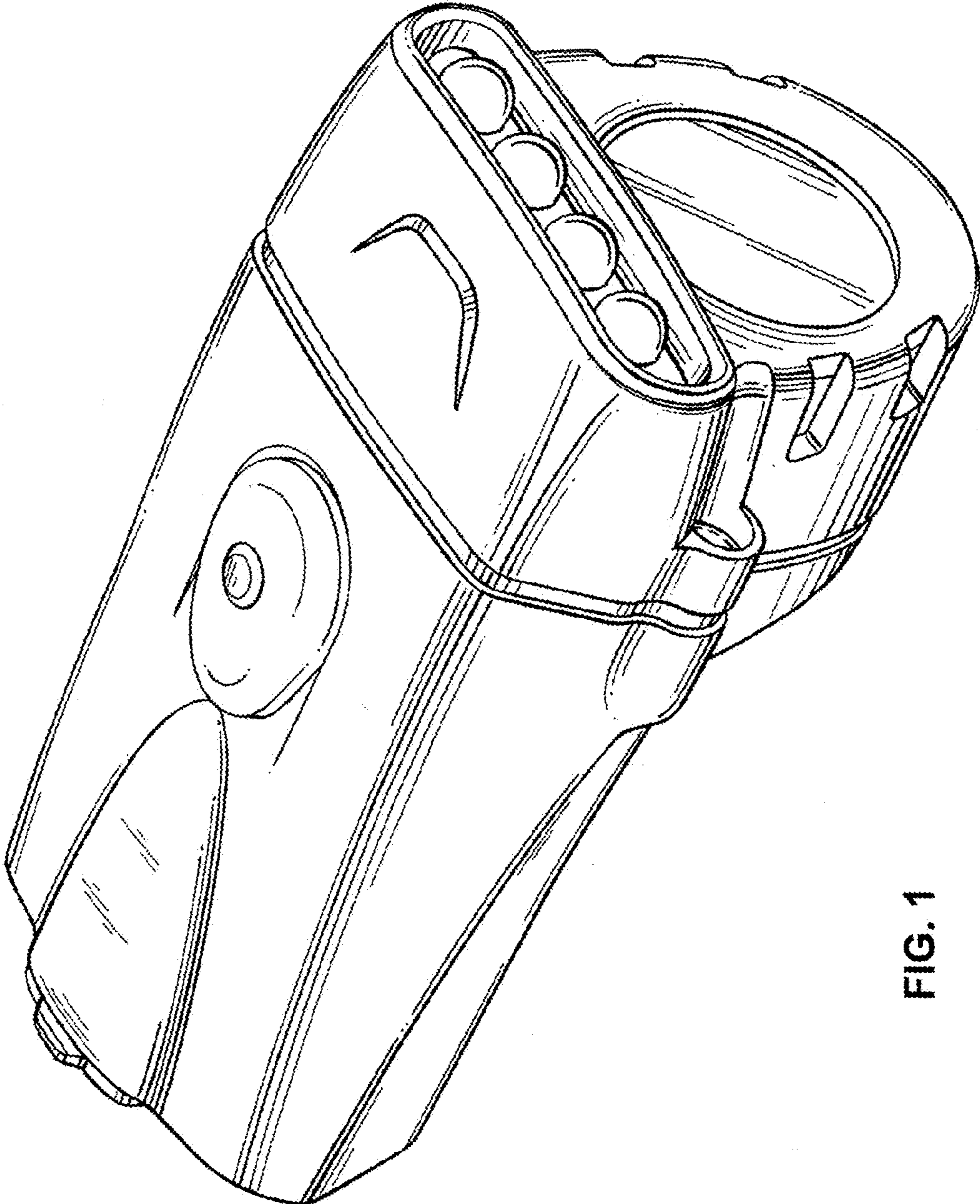


FIG. 1

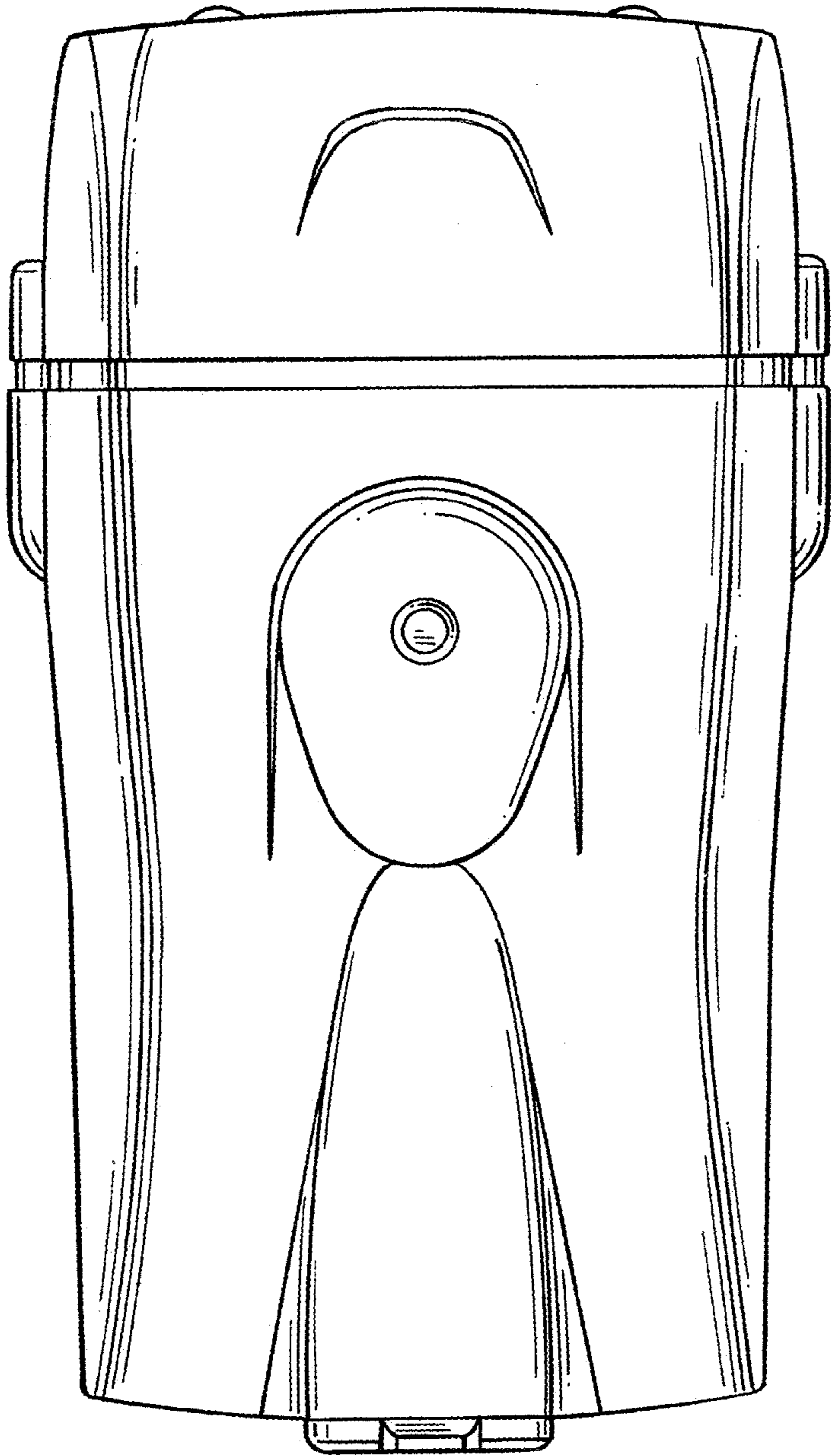


FIG. 2

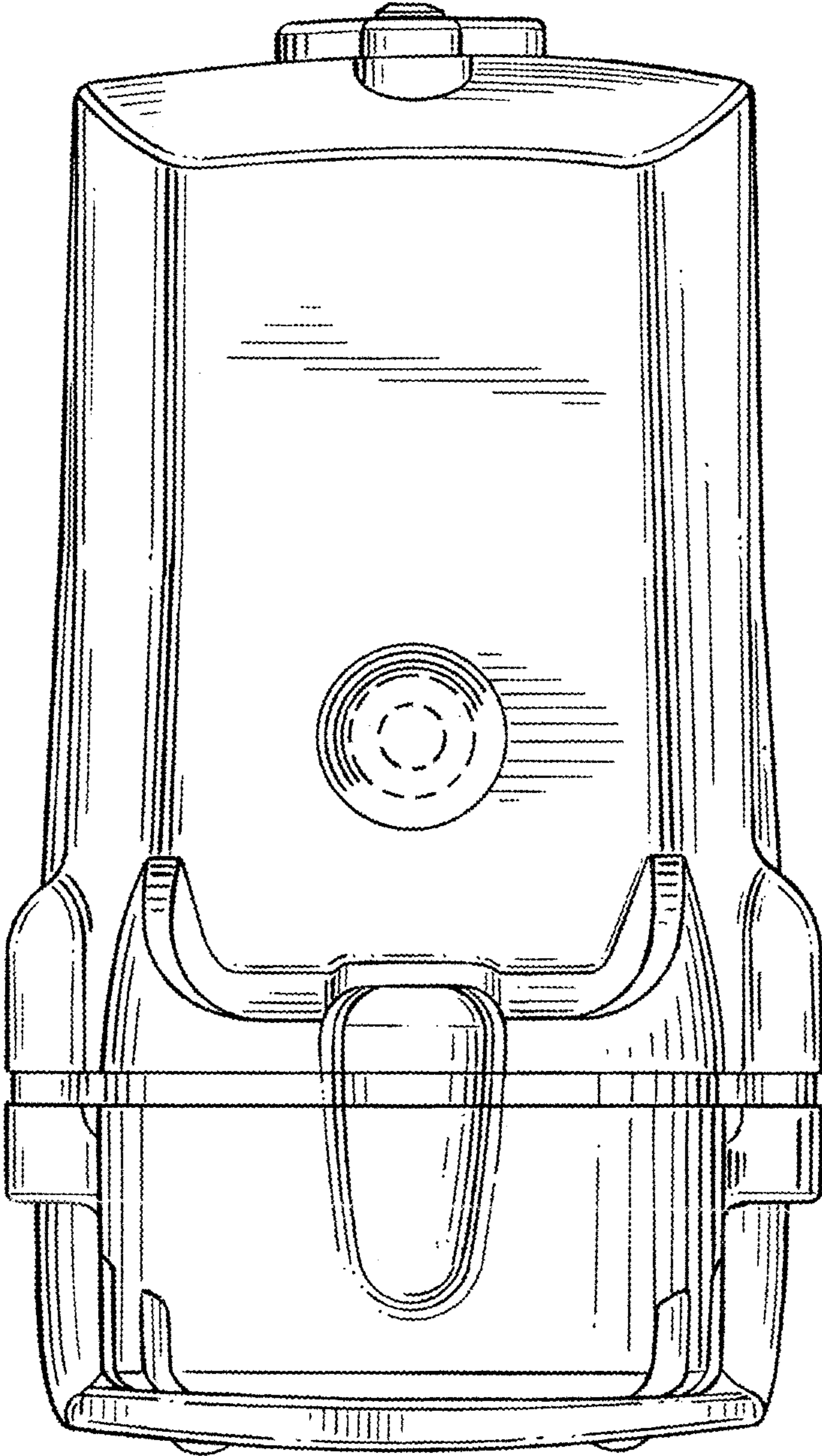


FIG. 3

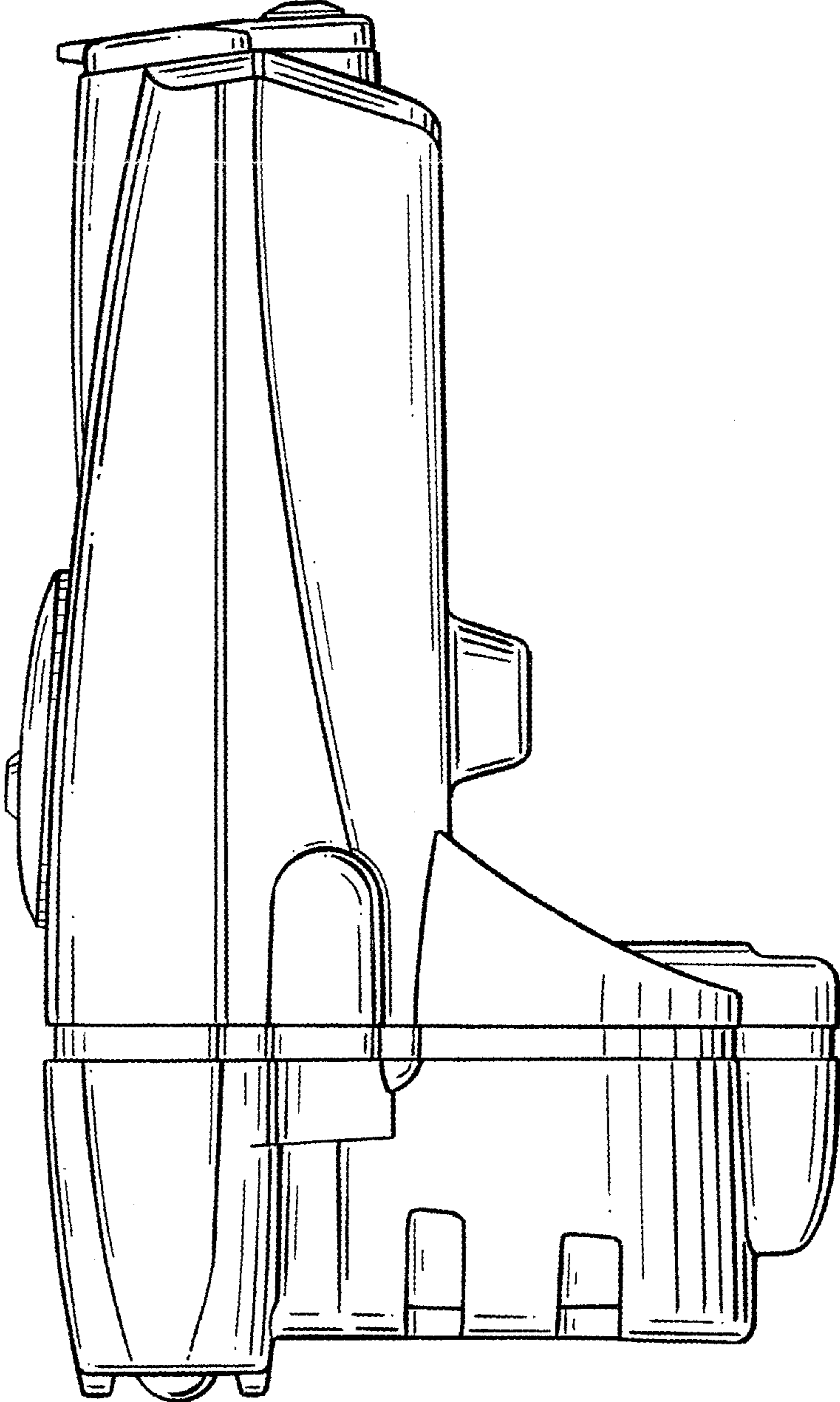


FIG. 4

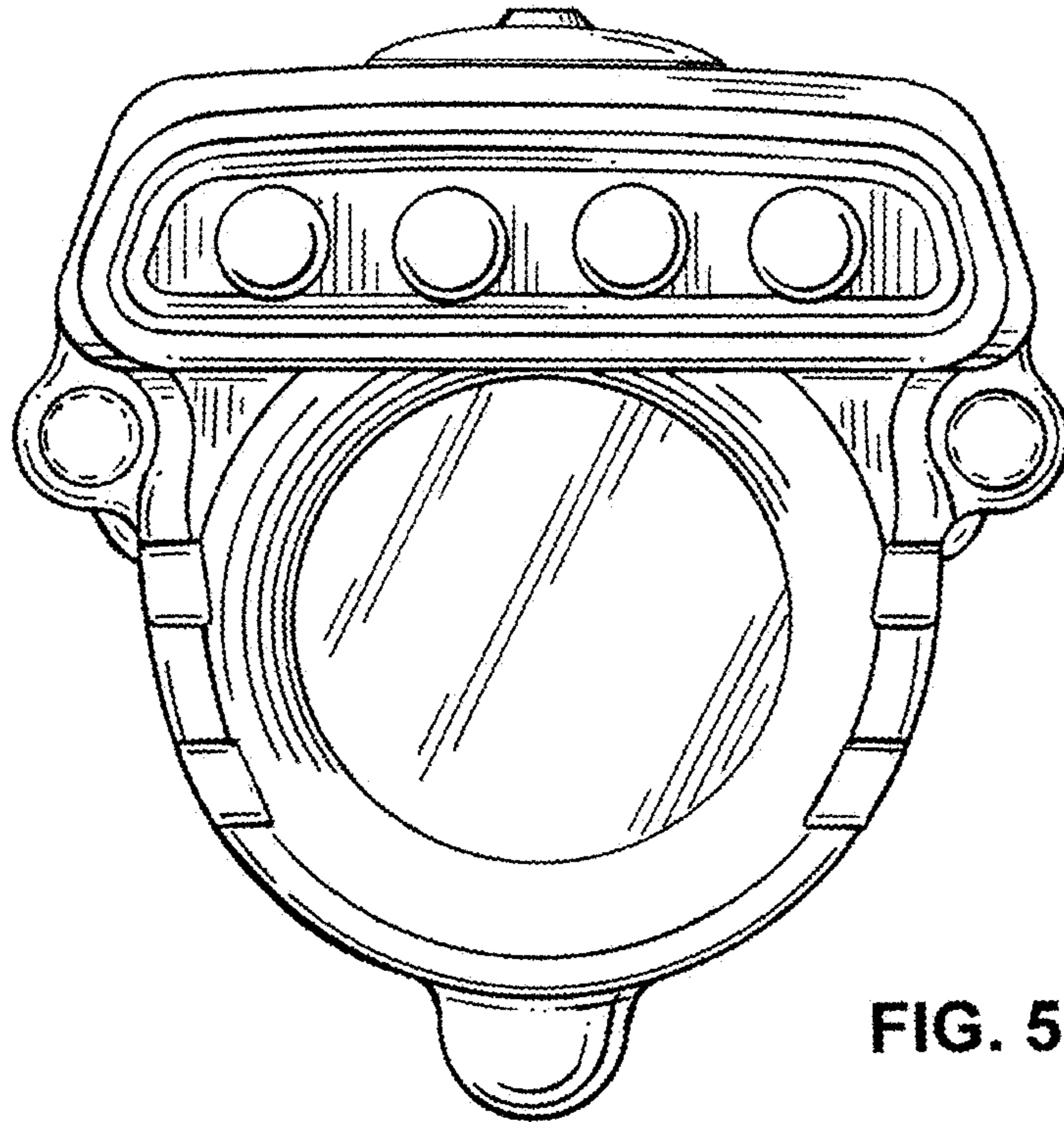


FIG. 5

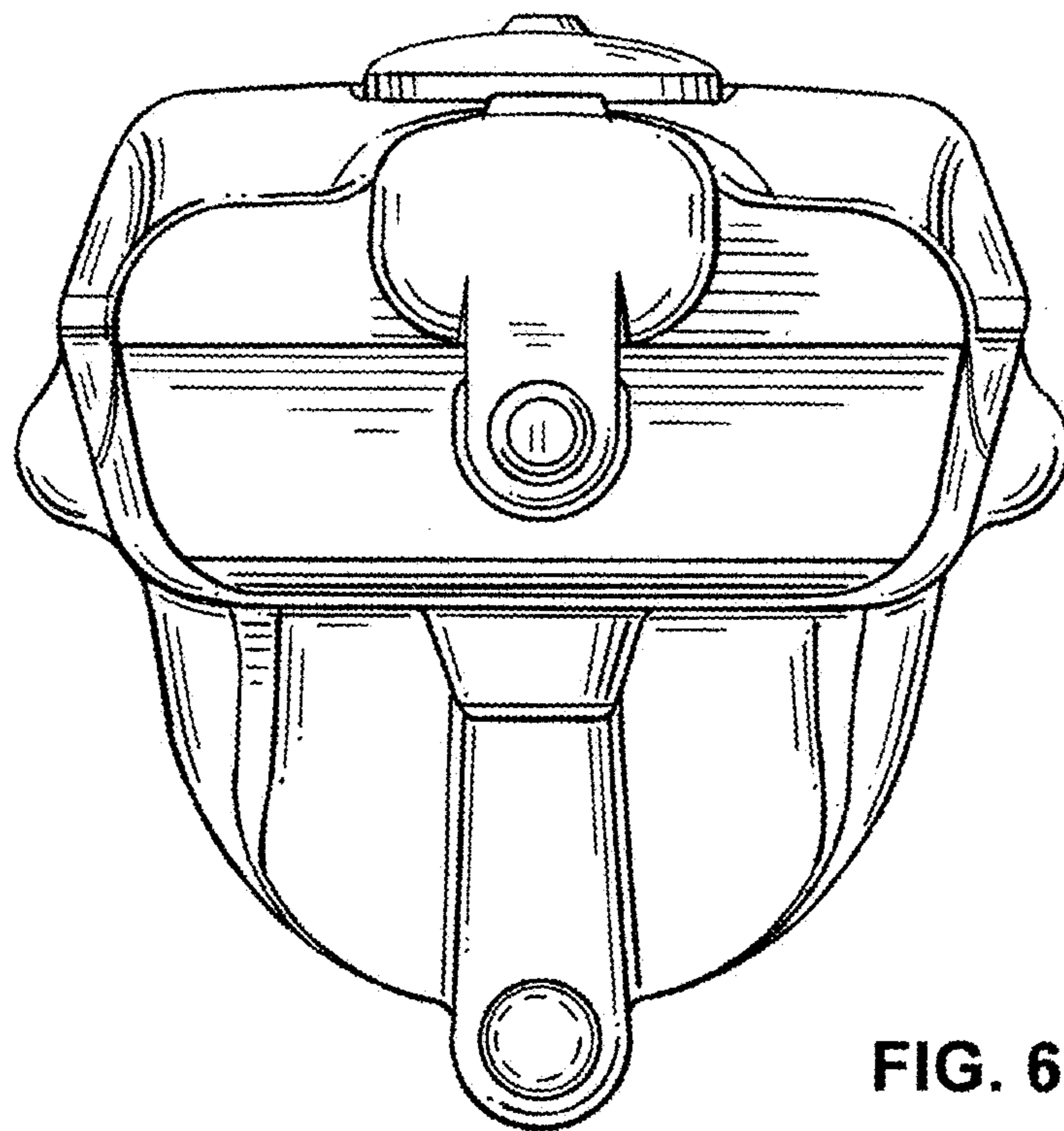


FIG. 6