



US00D751736S

(12) **United States Design Patent**
Gunnarson et al.

(10) **Patent No.:** **US D751,736 S**
(45) **Date of Patent:** **** Mar. 15, 2016**

(54) **REAR LIGHT**

D520,153 S * 5/2006 Otto D26/28
D536,809 S * 2/2007 James D26/28
D541,444 S * 4/2007 Lamarre D26/28

(71) Applicant: **Volvo Car Corporation**, Göteborg (SE)

(72) Inventors: **Anders Gunnarson**, Kullavik (SE);
Björn Hayden, Lycke (SE)

(73) Assignee: **Volvo Car Corporation**, Gothenburg
(SE)

(**) Term: **14 Years**

(21) Appl. No.: **29/496,460**

(22) Filed: **Jul. 14, 2014**

(30) **Foreign Application Priority Data**

Jan. 28, 2014 (EM) 002393330

(51) **LOC (10) Cl.** **26-06**

(52) **U.S. Cl.**
USPC **D26/28**

(58) **Field of Classification Search**
USPC D26/28-36; 362/459-476, 485-487,
362/543-549; D12/163, 170, 171
CPC F21S 48/00; F21S 8/10; F21S 48/10;
F21S 48/1195

See application file for complete search history.

(56) **References Cited**

U.S. PATENT DOCUMENTS

D302,595 S * 8/1989 Spada D26/28
D317,658 S * 6/1991 Okano D26/120
D321,944 S * 11/1991 Malmgren D26/28
D321,946 S * 11/1991 Falck D26/35
D518,200 S * 3/2006 Honda D26/28

OTHER PUBLICATIONS

OHIM Registration No. 000440078, registered Nov. 29, 2005 (4 pages).
OHIM Registration No. 000869045, registered Jan. 30, 2008 (5 pages).
OHIM Registration No. 001402218-0001, registered Dec. 9, 2013 (6 pages).
OHIM Registration No. 001903790-0003, registered Aug. 8, 2011 (9 pages).
Volvo Concept Coupe photo—first public showing Aug. 2013 (1 page).

* cited by examiner

Primary Examiner — Ian Simmons

Assistant Examiner — Harold Blackwell, II

(74) *Attorney, Agent, or Firm* — Renner, Otto, Boisselle & Sklar, LLP

(57) **CLAIM**

The ornamental design for a rear light, as shown and described.

DESCRIPTION

FIG. 1 is a perspective view of a rear light for vehicle showing our new design.

FIG. 2 is another perspective view thereof.

FIG. 3 is a front view thereof.

FIG. 4 is a right side view thereof.

FIG. 5 is a left side view thereof.

FIG. 6 is a top view thereof; and,

FIG. 7 is a bottom side view thereof.

1 Claim, 5 Drawing Sheets





FIG. 1



FIG. 2



FIG. 3

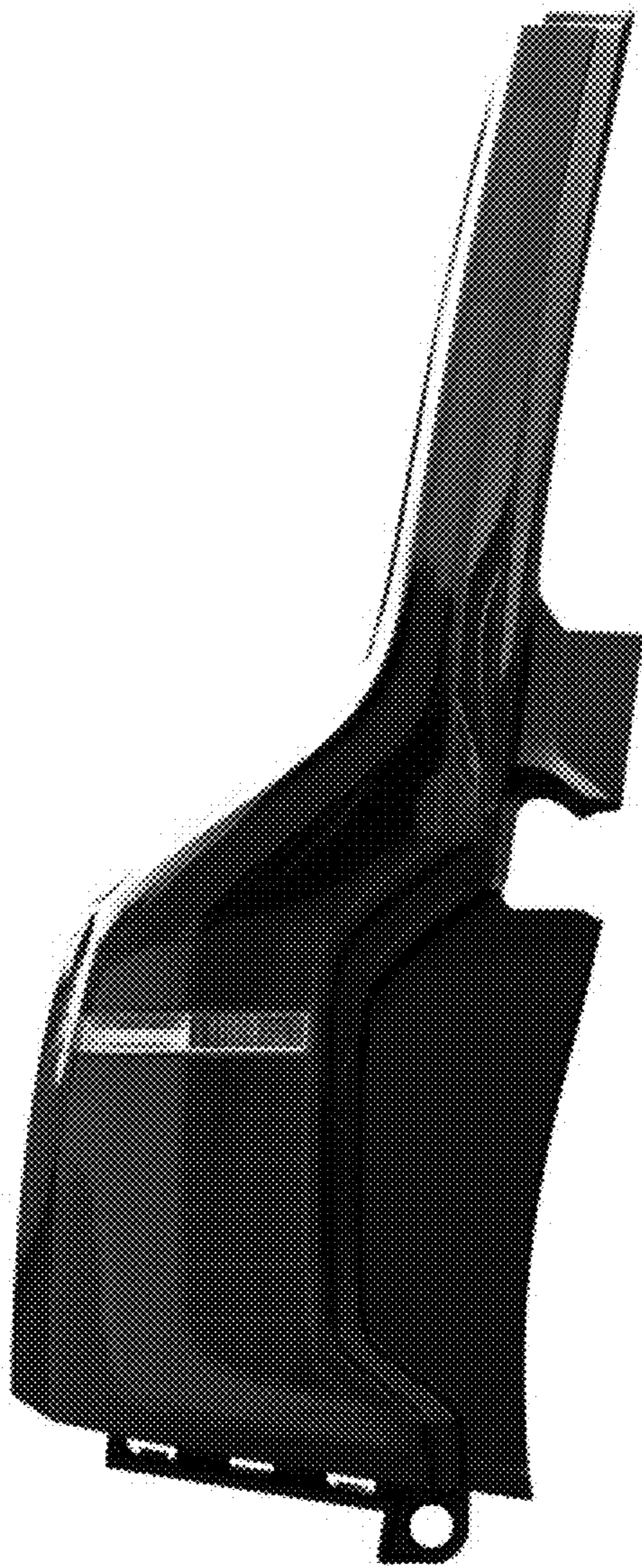


FIG. 4

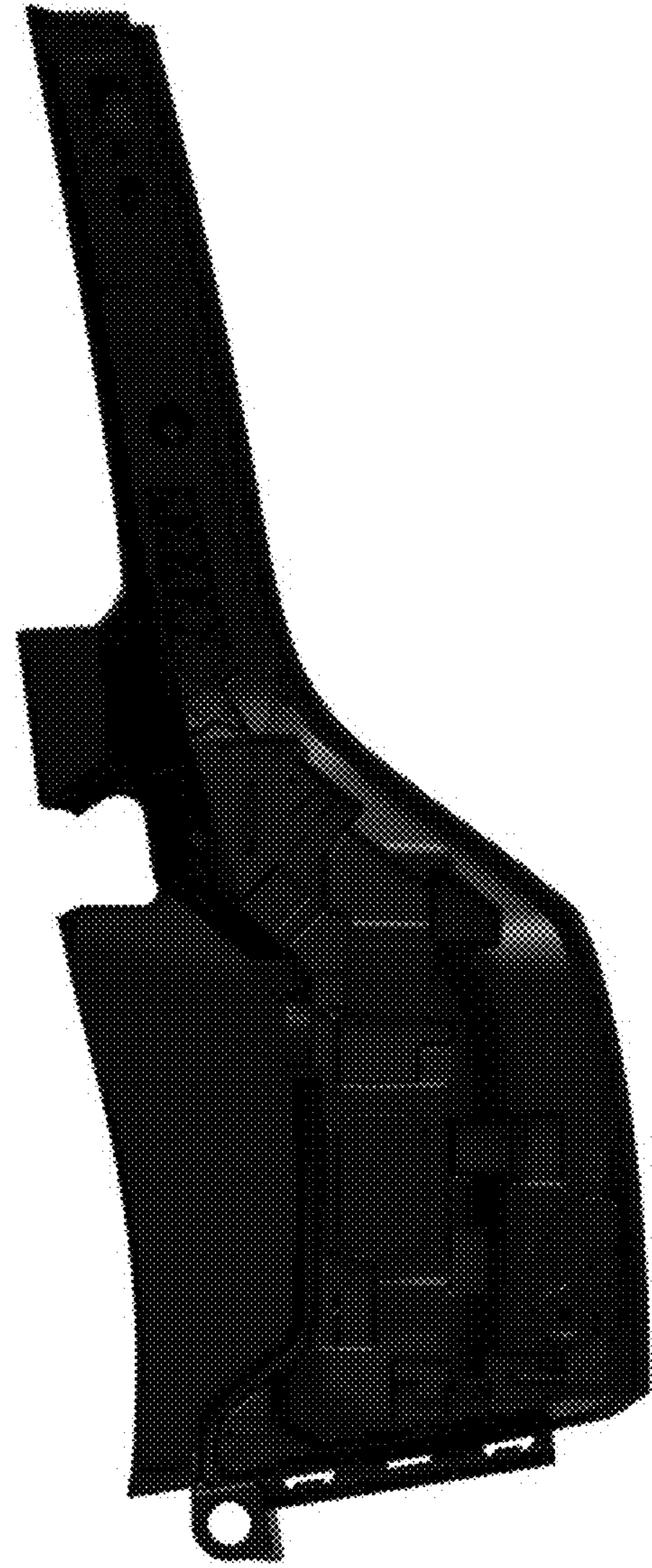


FIG. 5

