



US00D751734S

(12) **United States Design Patent**
Allen

(10) **Patent No.:** **US D751,734 S**
(45) **Date of Patent:** **** Mar. 15, 2016**

(54) **DOOR OR WINDOW FRAME EXTRUSION**

(71) Applicant: **Abra Aluminium Pty Ltd**, Narangba QLD (AU)

(72) Inventor: **Edward Donal Allen**, Narangba QLD (AU)

(73) Assignee: **Abra Aluminium Pty Ltd**, Narangba QLD (AU)

(**) Term: **14 Years**

(21) Appl. No.: **29/489,193**

(22) Filed: **Apr. 28, 2014**

(51) **LOC (10) Cl.** **25-01**

(52) **U.S. Cl.**
USPC **D25/125**

(58) **Field of Classification Search**
USPC D25/124, 125
CPC E06B 1/16; E06B 1/18; E06B 1/26;
E06B 1/30; E06B 1/52; E06B 1/36; E06B
3/205

See application file for complete search history.

(56) **References Cited**

U.S. PATENT DOCUMENTS

D612,519 S *	3/2010	Brabeck	D25/119
D647,634 S *	10/2011	Pensi	D25/124
2007/0074469 A1 *	4/2007	Plagemann	E06B 1/30 52/204.1

* cited by examiner

Primary Examiner — Doris Clark

(74) *Attorney, Agent, or Firm* — Faegre Baker Daniels LLP

(57) **CLAIM**

I claim the ornamental design for the door or window frame extrusion, as shown and described.

DESCRIPTION

FIG. 1 is a top perspective view of a door or window frame extrusion of the present application;

FIG. 2 is a bottom view of the door or window frame extrusion of FIG. 1;

FIG. 3 is a right side view of the door or window frame extrusion of FIG. 1;

FIG. 4 is a front view of the door or window frame extrusion of FIG. 1;

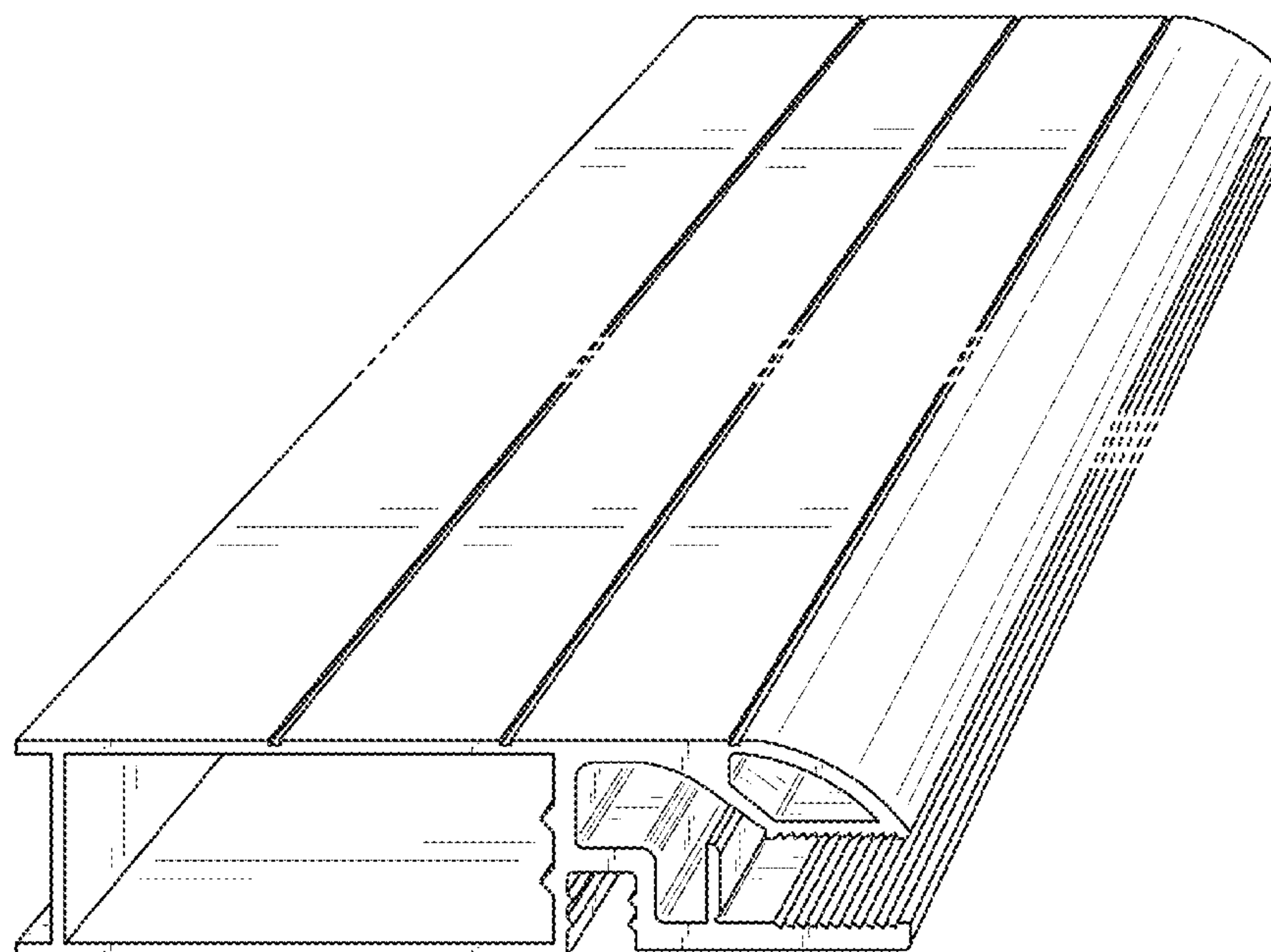
FIG. 5 is a top view of the door or window frame extrusion of FIG. 1;

FIG. 6 is a left side view of the door or window frame extrusion of FIG. 1; and,

FIG. 7 is a rear view of the door or window frame extrusion of FIG. 1.

The door or window frame extrusion of the present application has a variable length, as shown by the dashed lines in FIGS. 1-3, 5, and 6.

1 Claim, 3 Drawing Sheets



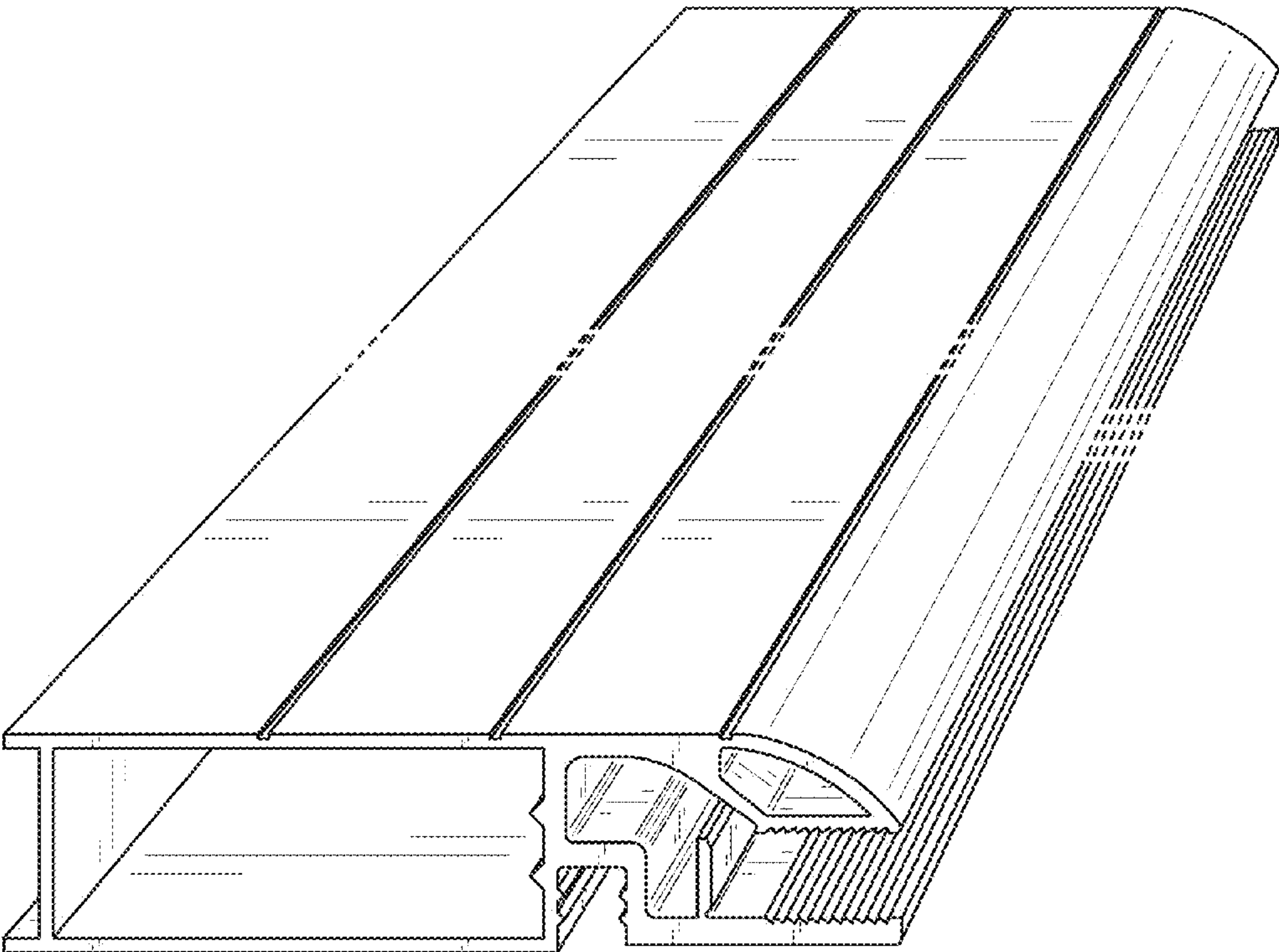


Figure 1

Figure 2

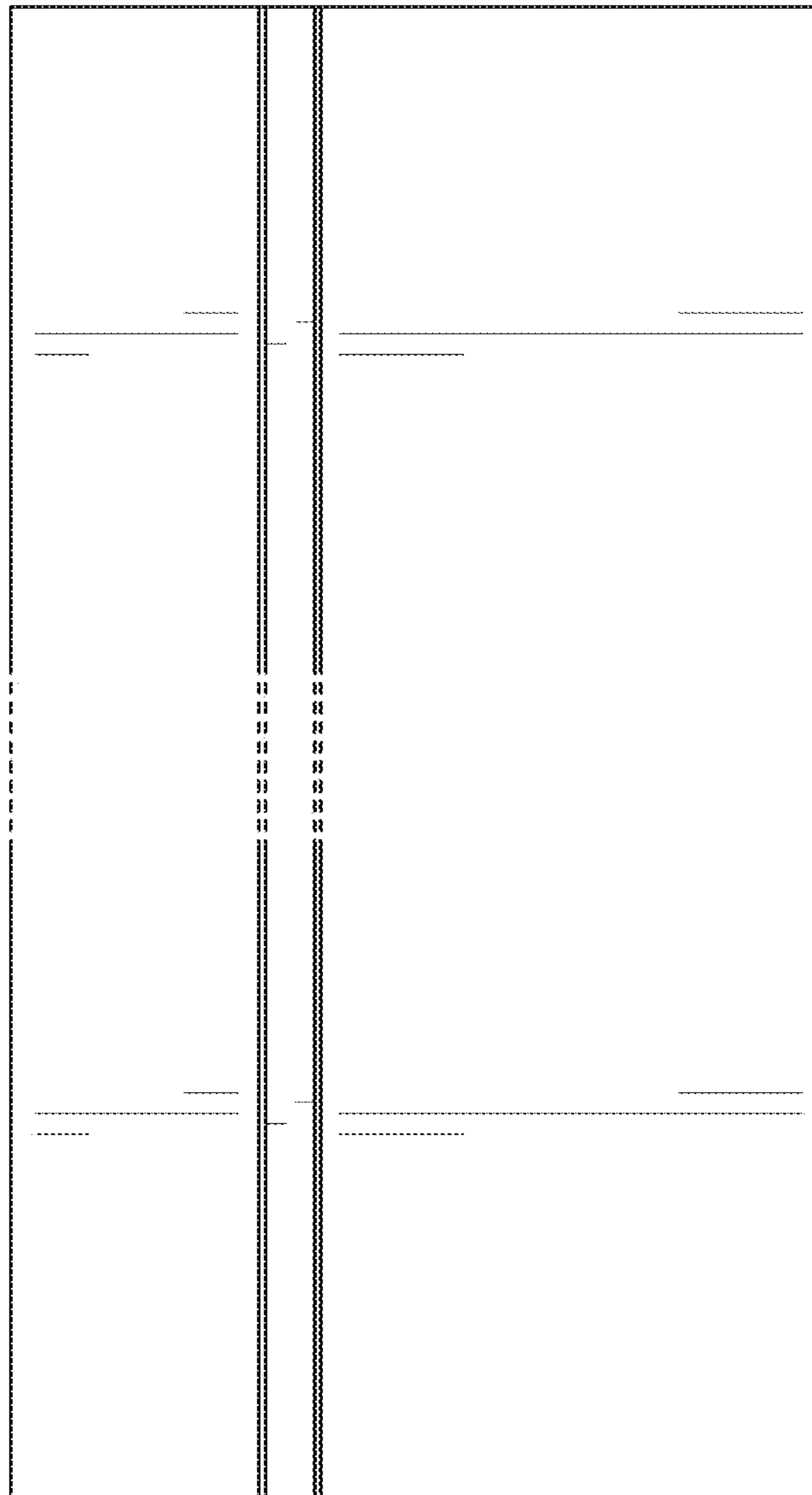


Figure 3

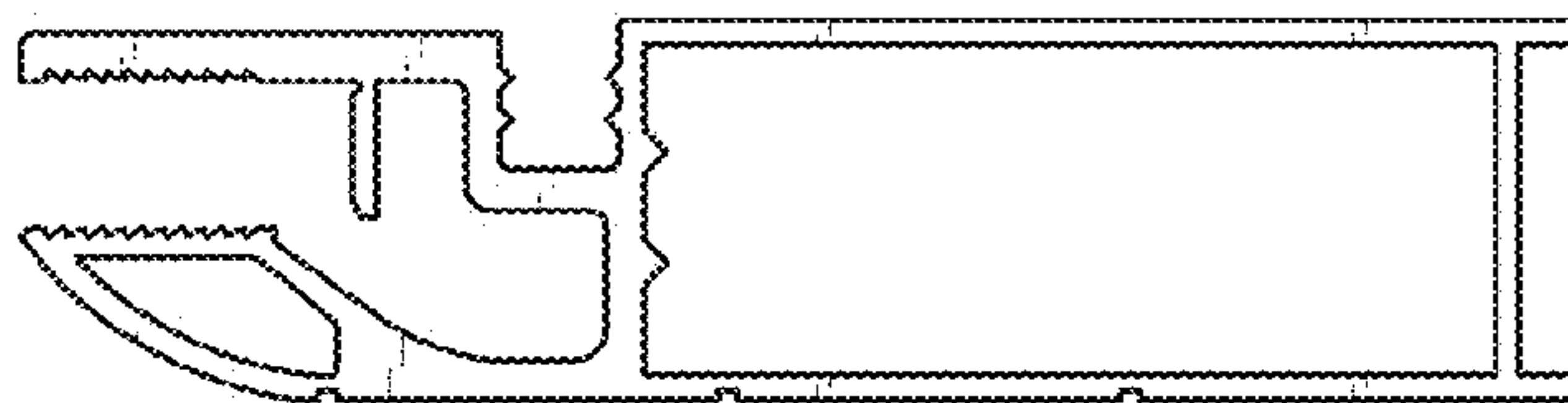
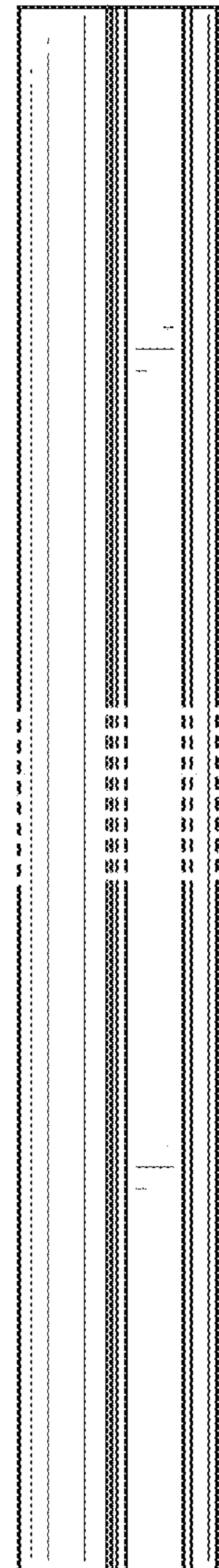


Figure 4

Figure 5

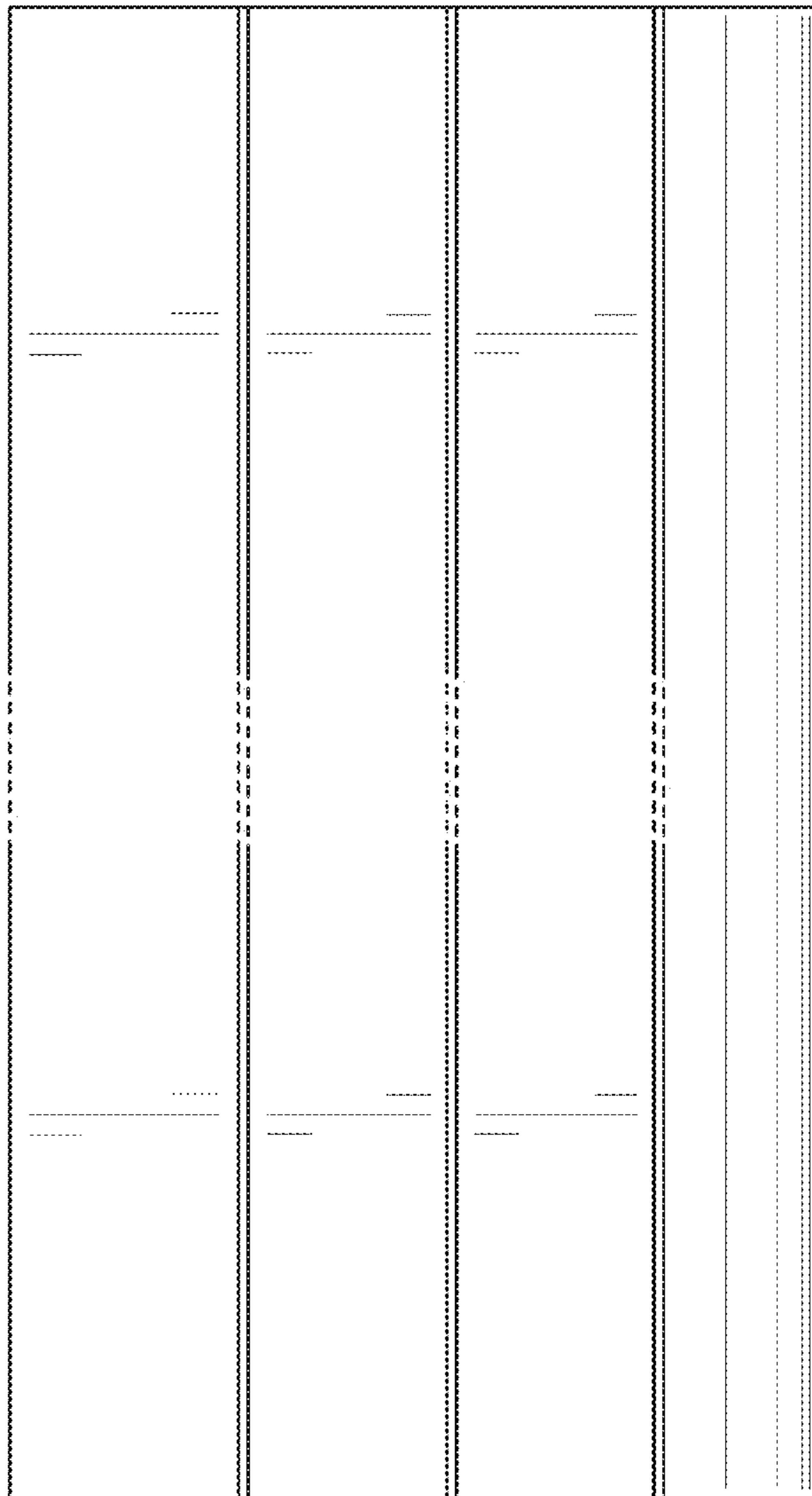


Figure 6

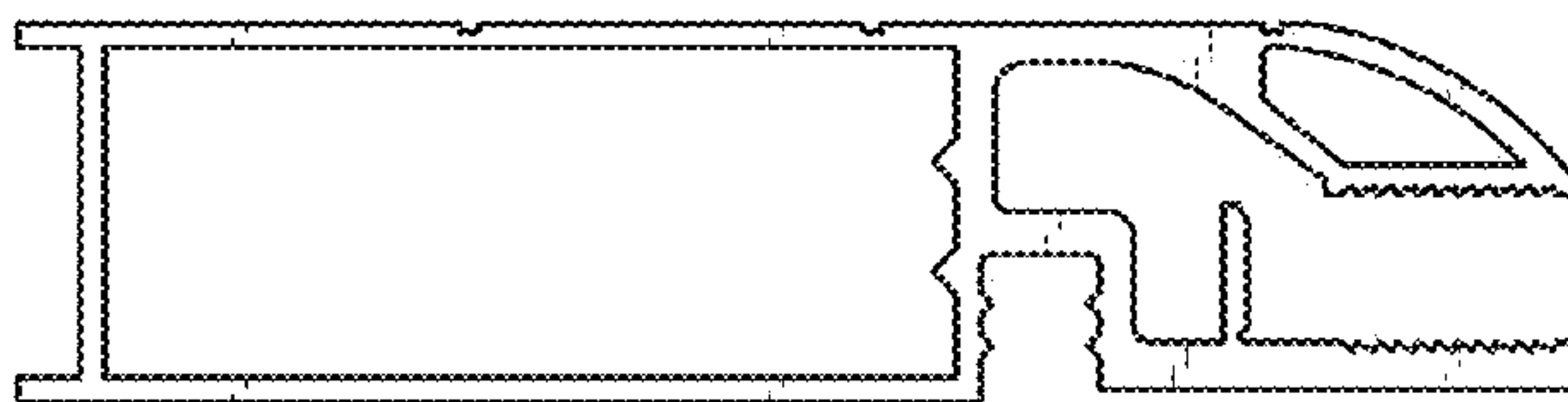
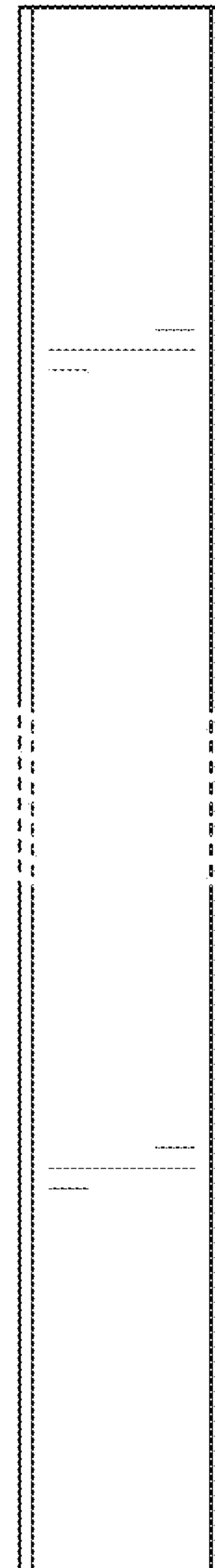


Figure 7