



US00D751732S

(12) **United States Design Patent**
Sparks

(10) **Patent No.:** **US D751,732 S**
(45) **Date of Patent:** **** *Mar. 15, 2016**

- (54) **EXPANDING WALL CHANNEL**
- (71) Applicant: **Richard Alan Sparks**, Hotchkiss, CO (US)
- (72) Inventor: **Richard Alan Sparks**, Hotchkiss, CO (US)
- (73) Assignee: **SWF Industrial, LLC**, Hotchkiss, CO (US)
- (*) Notice: This patent is subject to a terminal disclaimer.
- (**) Term: **14 Years**
- (21) Appl. No.: **29/491,213**
- (22) Filed: **May 19, 2014**
- (51) **LOC (10) Cl.** **25-01**
- (52) **U.S. Cl.**
USPC **D25/121**
- (58) **Field of Classification Search**
USPC D25/121; 52/220.1, 220.3, 220.7, 241, 52/243, 36.6, 238.1, 632, 481.1
See application file for complete search history.

- 3,854,264 A * 12/1974 Thomassen 52/632
- 5,927,038 A * 7/1999 Goldberg et al. 52/632
- D442,705 S * 5/2001 Eaton D25/121
- 6,360,510 B1 * 3/2002 Woodrum et al. 52/481.1
- 7,178,304 B2 * 2/2007 Brady 52/653.1
- D621,963 S * 8/2010 Zadeh D25/125
- 2001/0017016 A1 * 8/2001 Rudduck 52/481.1

* cited by examiner

Primary Examiner — Doris Clark
(74) *Attorney, Agent, or Firm* — Martensen IP

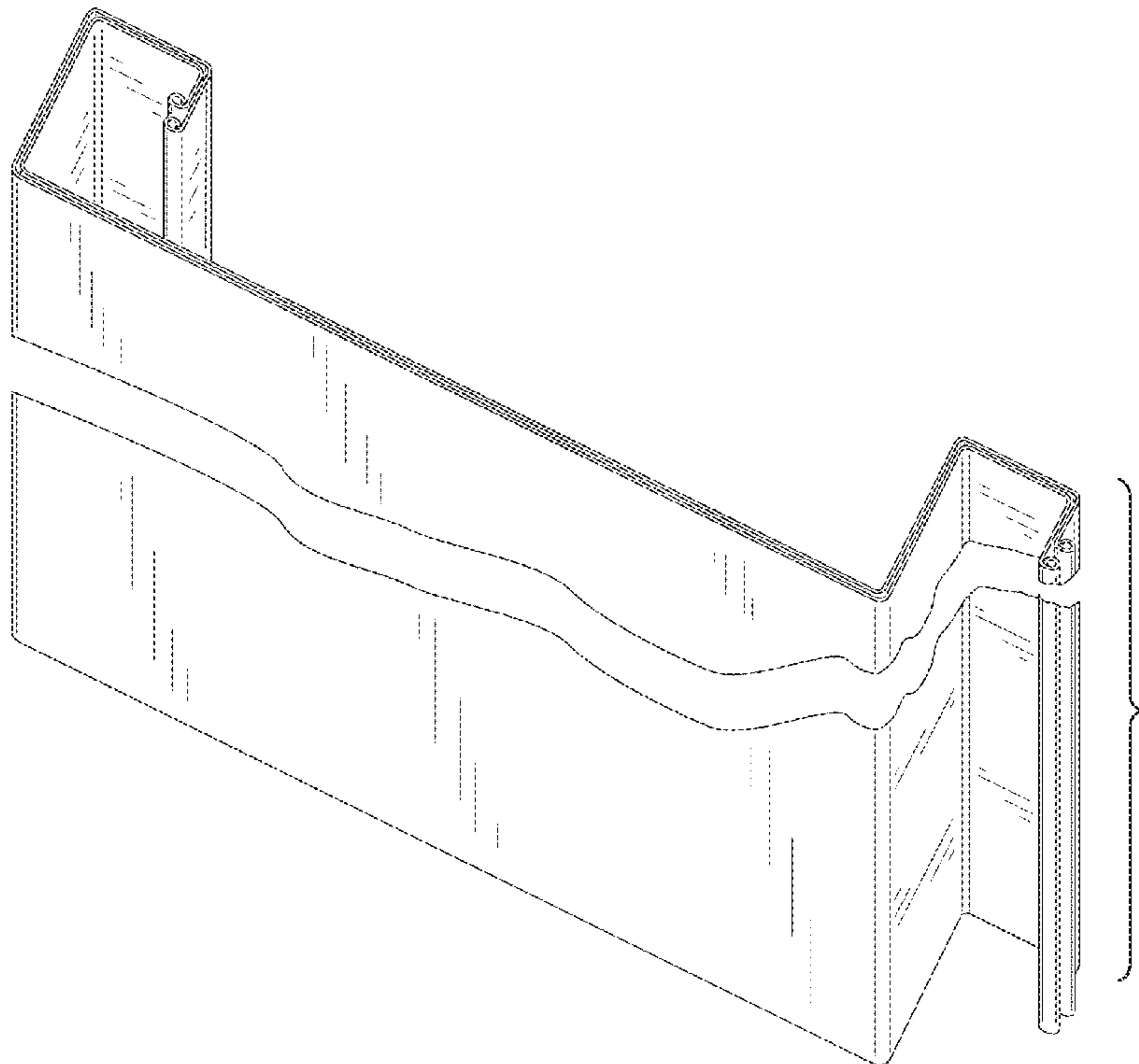
(57) **CLAIM**
The ornamental design for an expanding wall channel, as shown and described.

DESCRIPTION

FIG. 1 is a front, top perspective drawing of one embodiment of an expanding wall channel showing my new design, the channel in an unexpanded configuration;
FIG. 2 is a top view thereof;
FIG. 3 is a bottom view thereof;
FIG. 4 is a right side view thereof;
FIG. 5 is a left side view thereof;
FIG. 6 is front view thereof;
FIG. 7 is a back plan view thereof;
FIG. 8 is a front, top perspective view of thereof with the channel in an expanded configuration;
FIG. 9 is a top view of a second embodiment thereof; and,
FIG. 10 is a top view of a third embodiment thereof.

1 Claim, 7 Drawing Sheets

- (56) **References Cited**
U.S. PATENT DOCUMENTS
3,492,766 A * 2/1970 Andrews 52/36.6
3,533,205 A * 10/1970 Lankford et al. 52/356



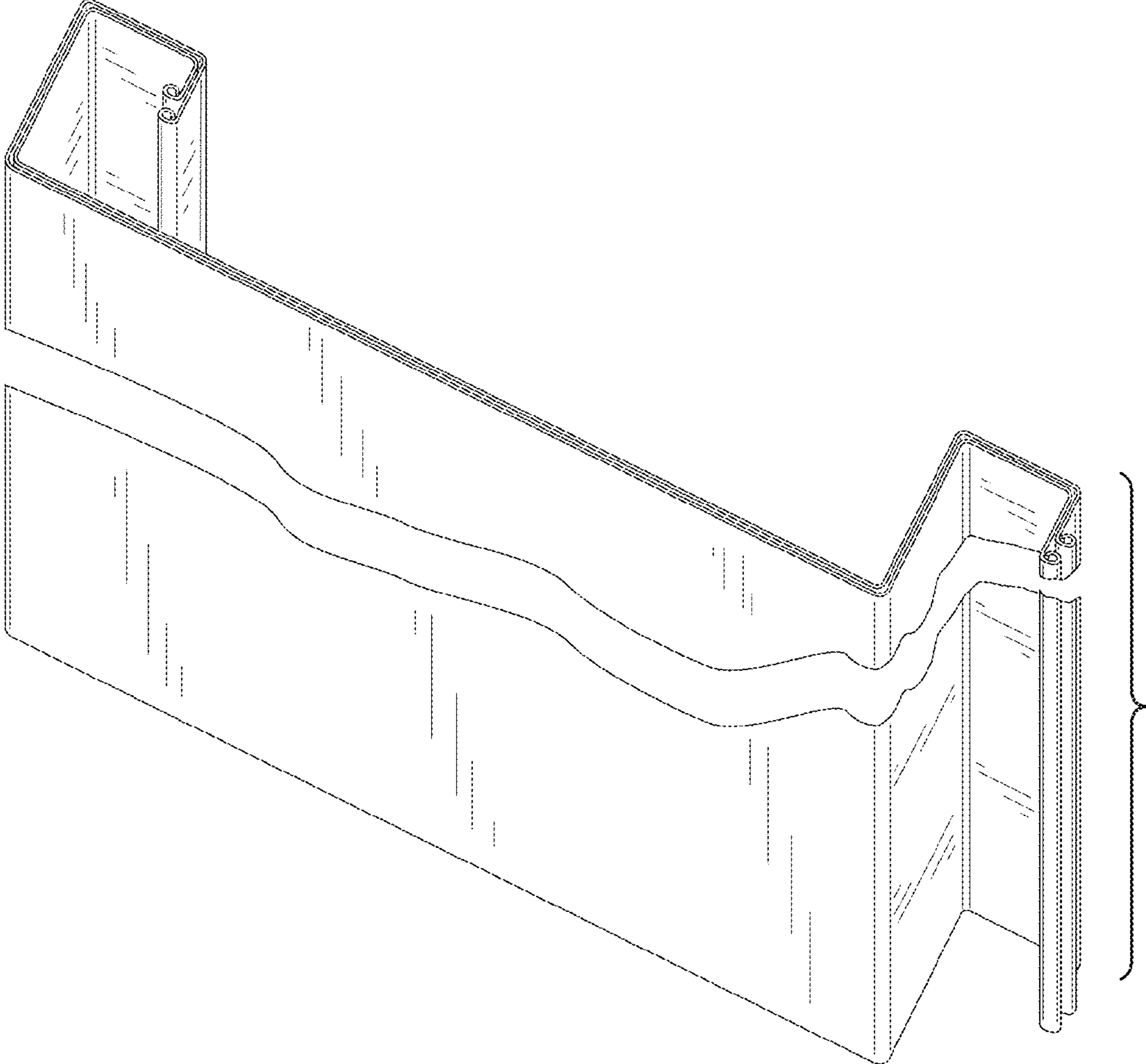


FIG.1



FIG. 2



FIG. 3

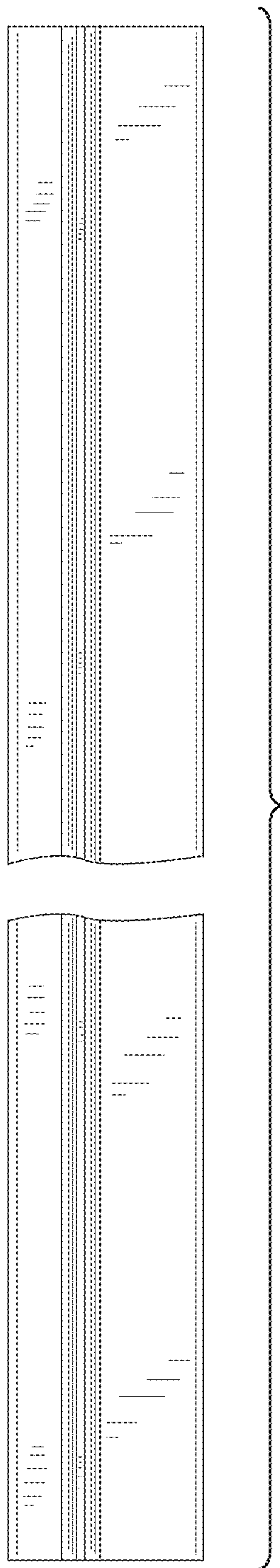


FIG.4

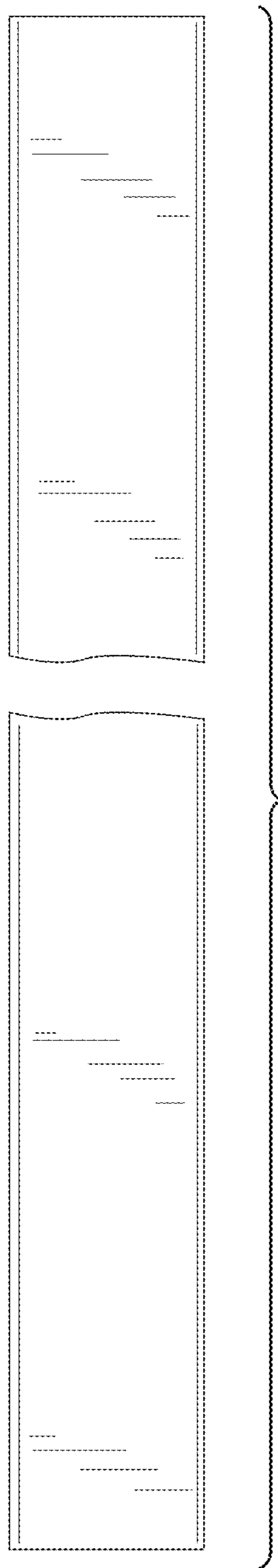


FIG.5

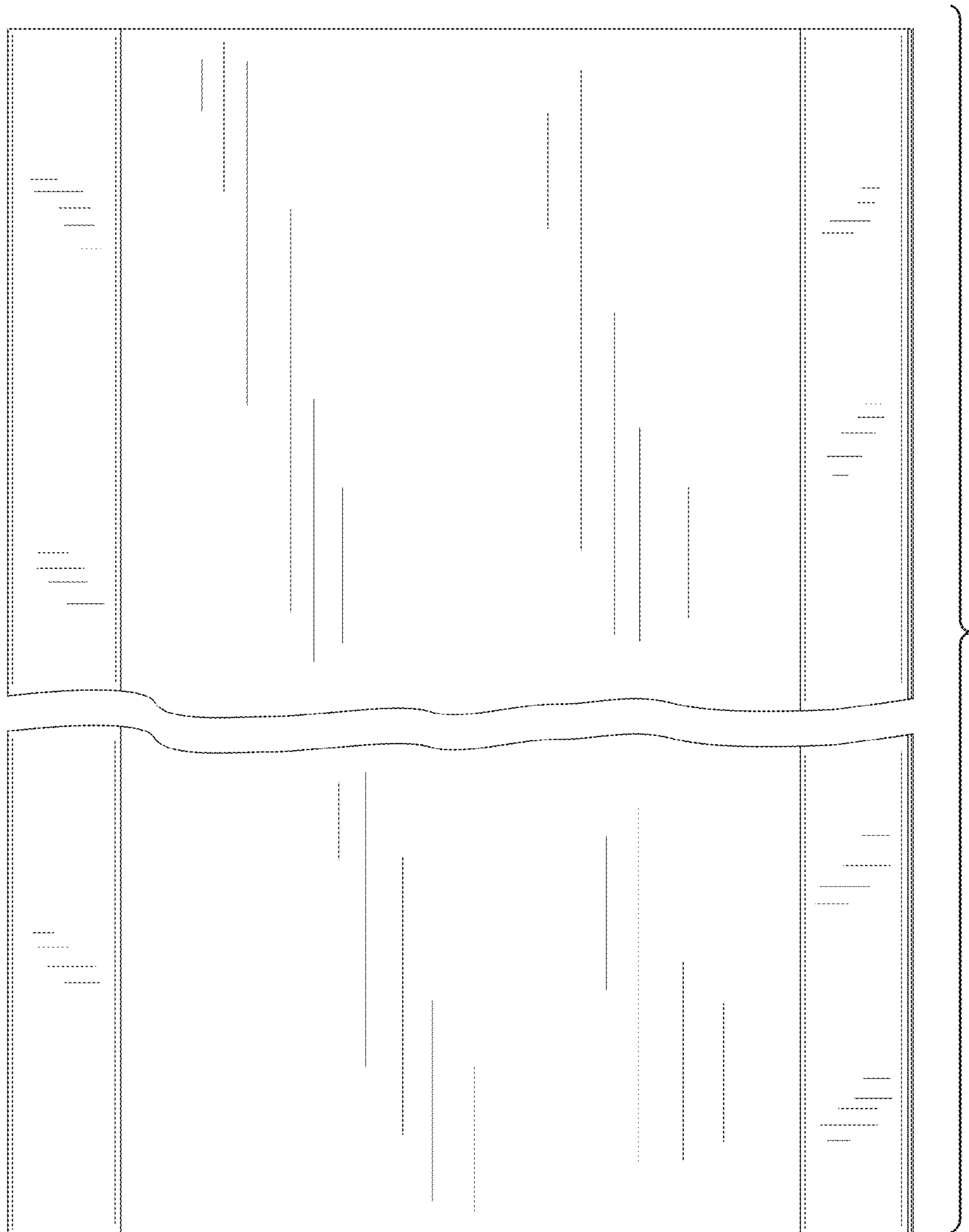


FIG. 6

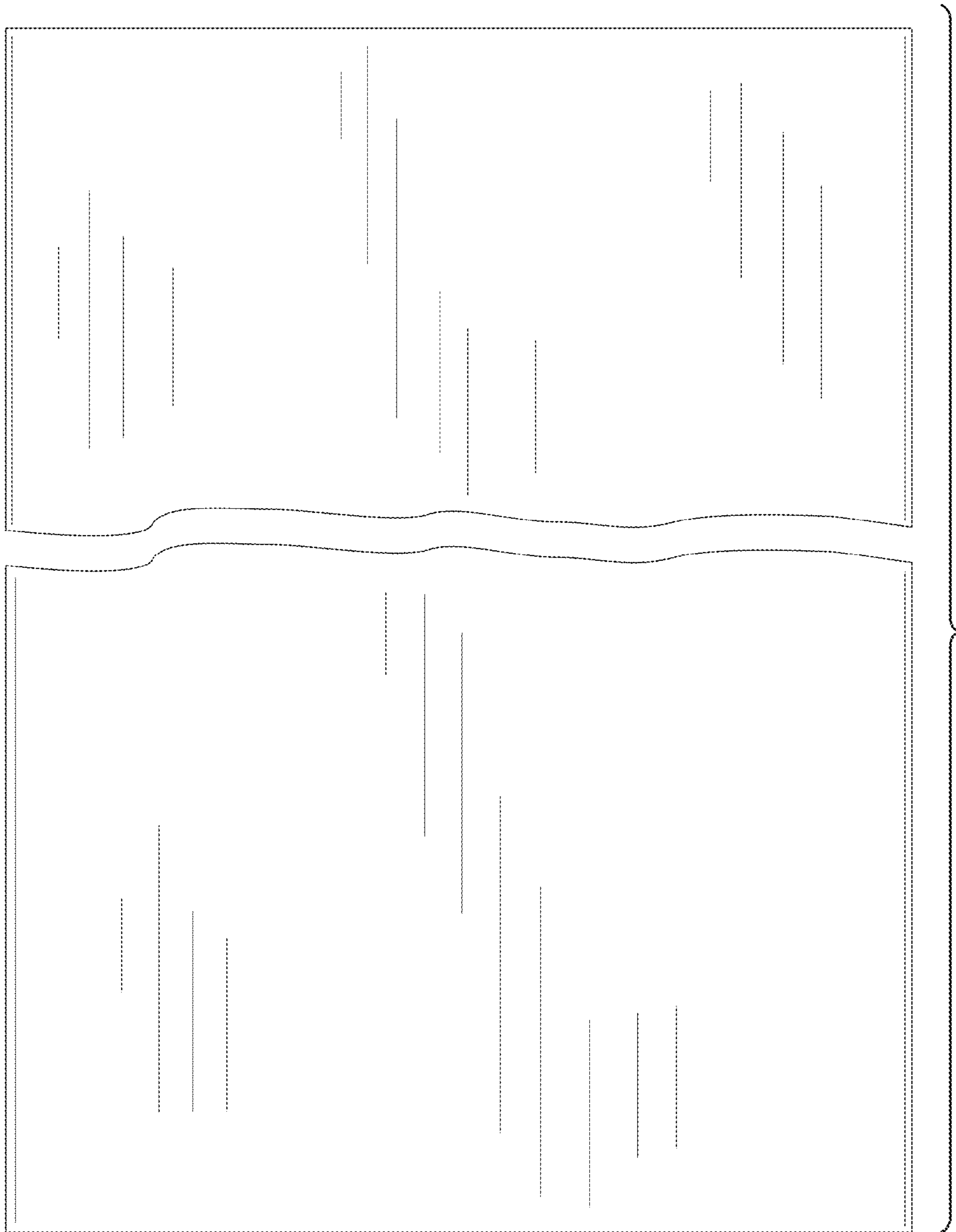


FIG. 7

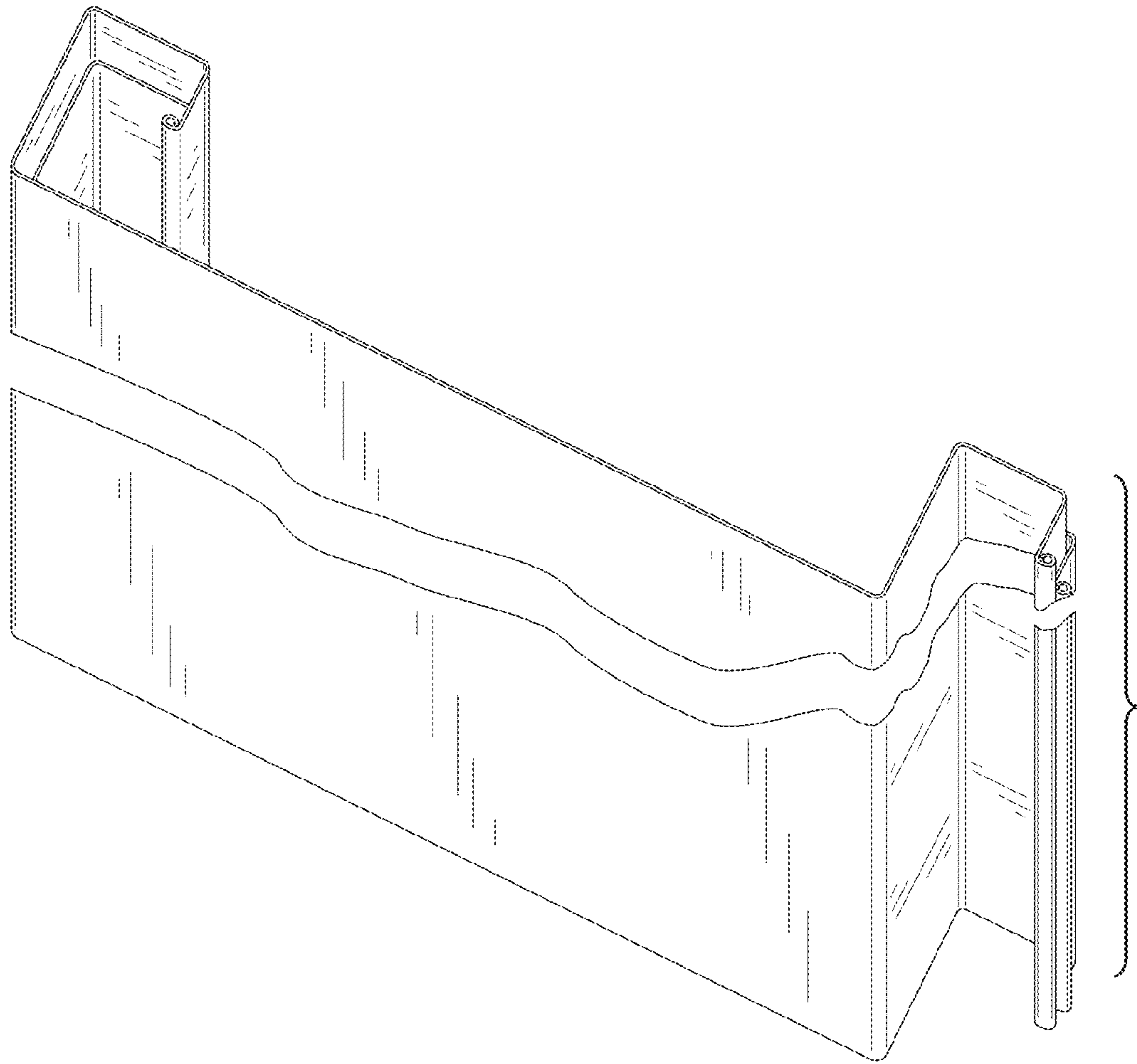


FIG.8



FIG. 9



FIG. 10