



US00D751730S

(12) **United States Design Patent**
Guerra-Asunsolo

(10) **Patent No.:** **US D751,730 S**
(45) **Date of Patent:** **** Mar. 15, 2016**

(54) **GATE**

(71) Applicant: **Adriana Guerra-Asunsolo**, Mexico
City (MX)

(72) Inventor: **Adriana Guerra-Asunsolo**, Mexico
City (MX)

(**) Term: **14 Years**

(21) Appl. No.: **29/462,686**

(22) Filed: **Aug. 7, 2013**

(30) **Foreign Application Priority Data**

Feb. 25, 2013 (MX) MX/F/2013/000532

(51) **LOC (10) Cl.** **25-02**

(52) **U.S. Cl.**
USPC **D25/48.5**

(58) **Field of Classification Search**
USPC D25/48.5
CPC E06B 9/24; E06B 11/02; E06B 11/021;
E06B 11/045; E06B 11/085
See application file for complete search history.

(56) **References Cited**

U.S. PATENT DOCUMENTS

4,038,800 A * 8/1977 Daley, Jr. 52/507
D297,572 S * 9/1988 Greco D25/48.5
2003/0057411 A1 * 3/2003 Hadfield et al. 256/26
2009/0320373 A1 * 12/2009 Payne 49/50

* cited by examiner

Primary Examiner — Doris Clark

(74) *Attorney, Agent, or Firm* — Hoglund & Pamas, PSC;
Roberto J. Rios

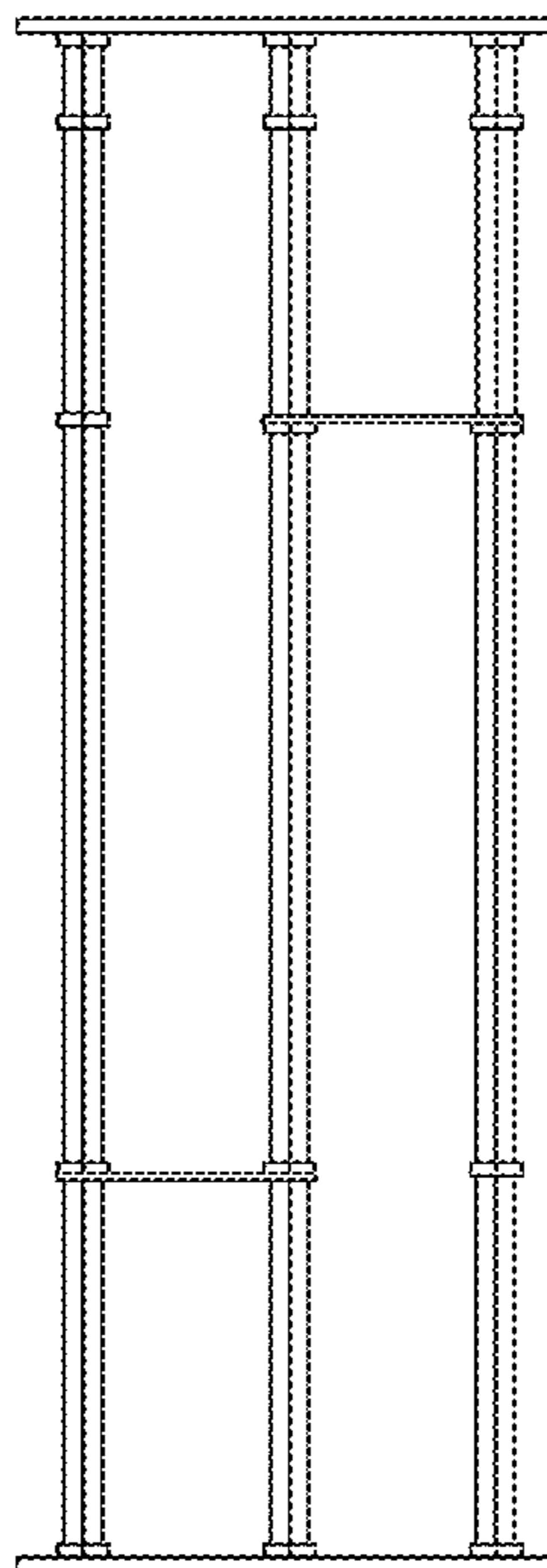
(57) **CLAIM**

I claim the ornamental design for a gate, as shown and described.

DESCRIPTION

FIG. 1 is a front view of a first embodiment of a gate design. FIG. 2 is a front view of a second embodiment of the gate design, the only difference being in the size. FIG. 3 is a front view of a third embodiment of the gate design, the only difference being in the size. FIG. 4 is a side view of the gate of FIG. 1. FIG. 5 is another side view of the gate of FIG. 1. FIG. 6 is a perspective view of the gate of FIG. 1. FIG. 7 is a top view of the gate of FIG. 1. FIG. 8 is a bottom view of the gate of FIG. 1. FIG. 9 is a front view of a fourth embodiment of the gate design, the only difference being in the size. FIG. 10 is a front view of a fifth embodiment of the gate design, the only difference being in the size. FIG. 11 is a front view of a sixth embodiment of the gate design, the only difference being in the size. FIG. 12 is a side view of the gate of FIG. 9. FIG. 13 is another side view of the gate of FIG. 9. FIG. 14 is a perspective view of the gate of FIG. 9. FIG. 15 is a top view of the gate of FIG. 9; and, FIG. 16 is a bottom view of the gate of FIG. 9.

1 Claim, 12 Drawing Sheets



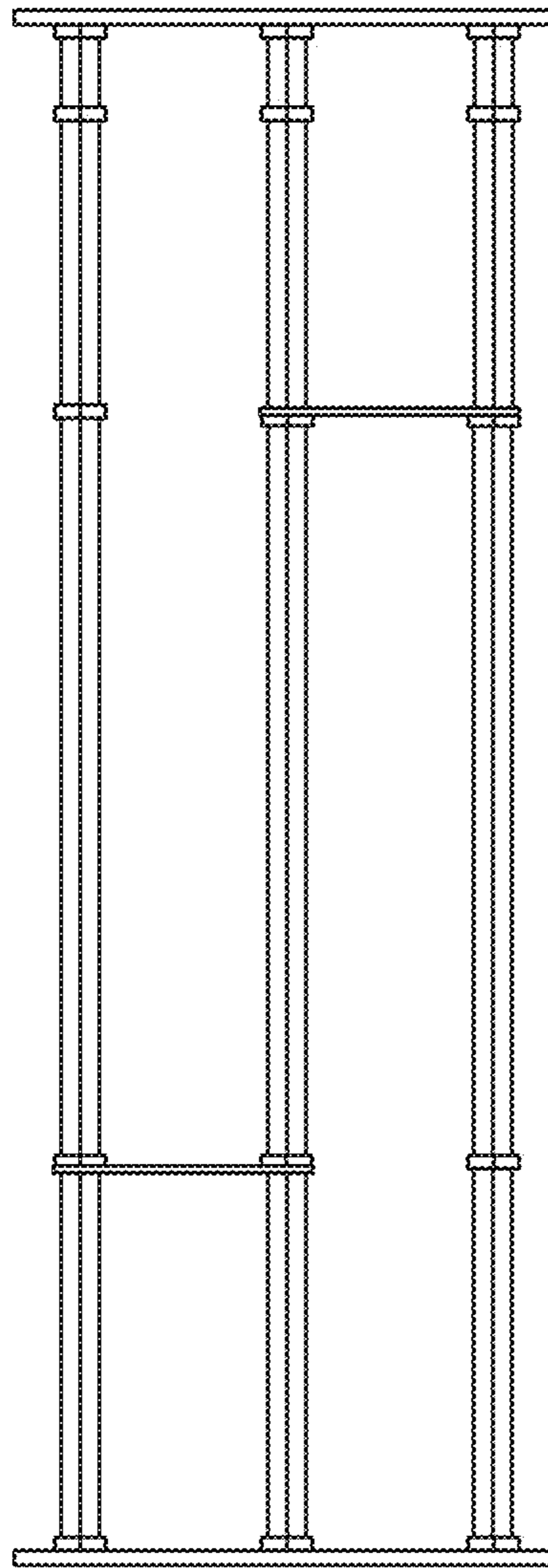


FIG. 1

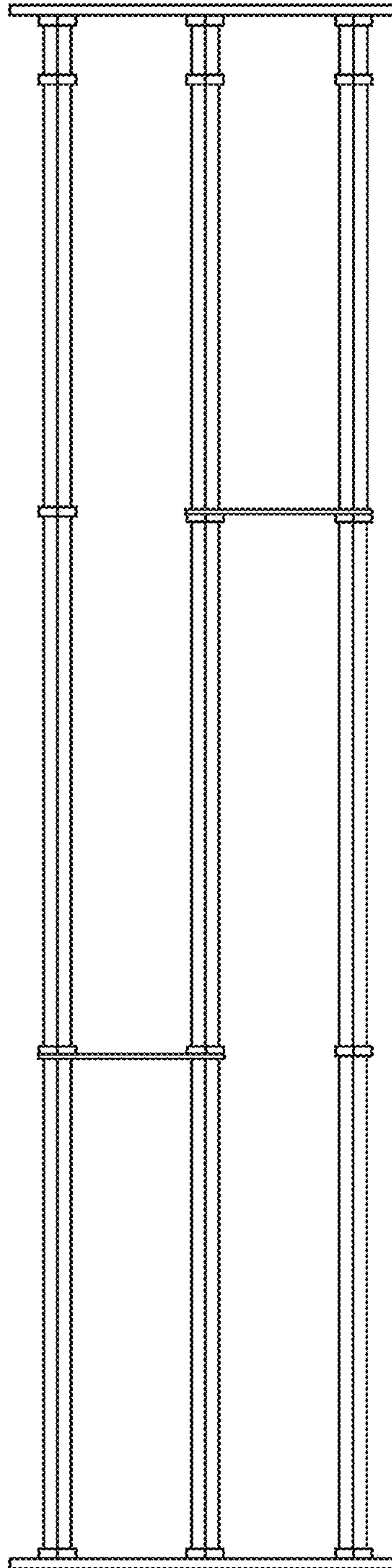


FIG. 2

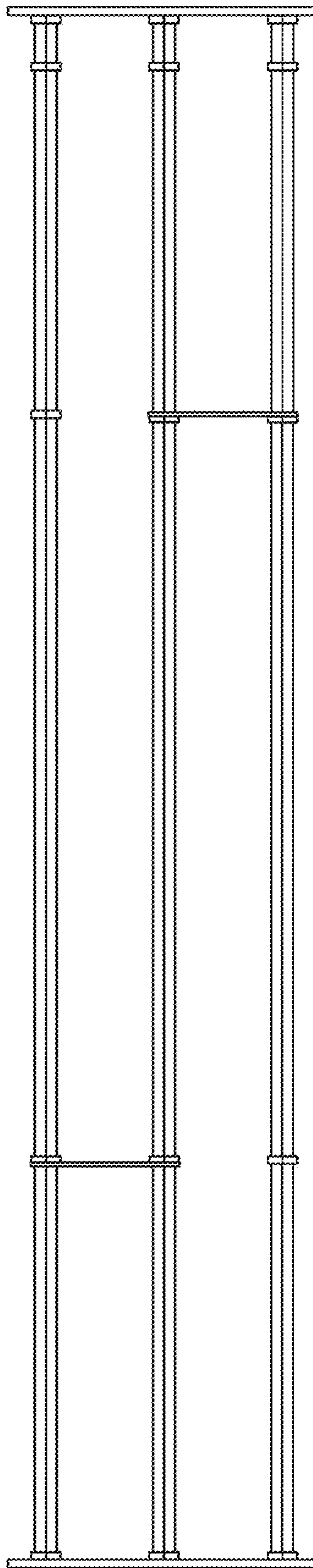


FIG. 3



FIG. 4



FIG. 5

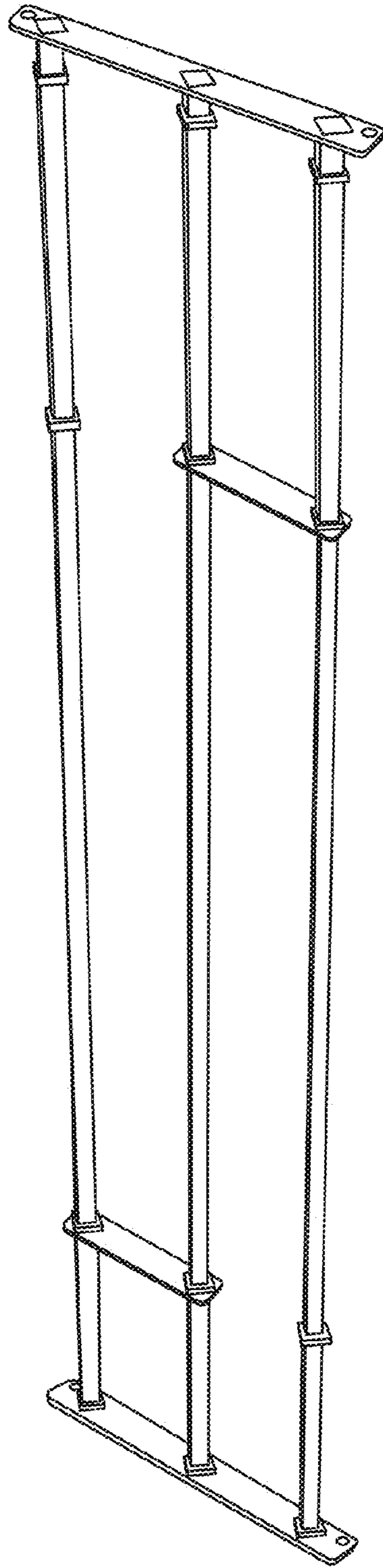


FIG. 6

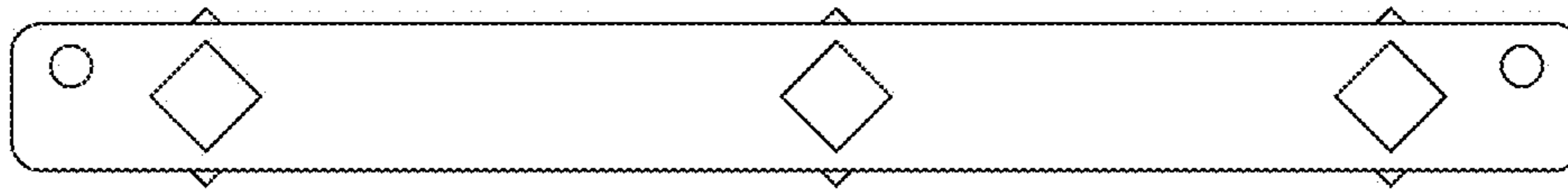


FIG. 7

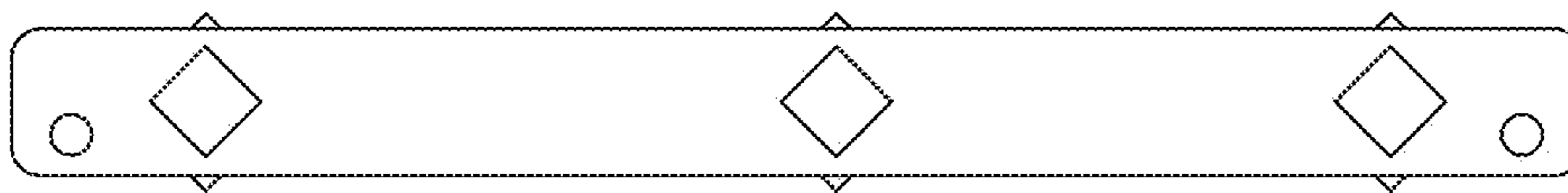


FIG. 8

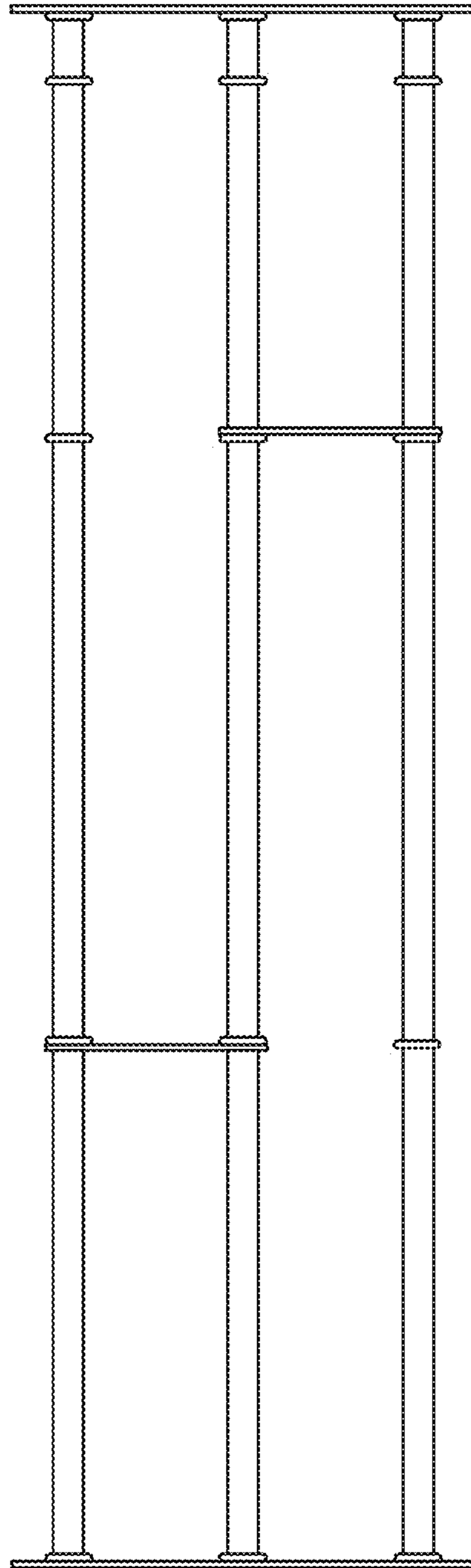


FIG. 9

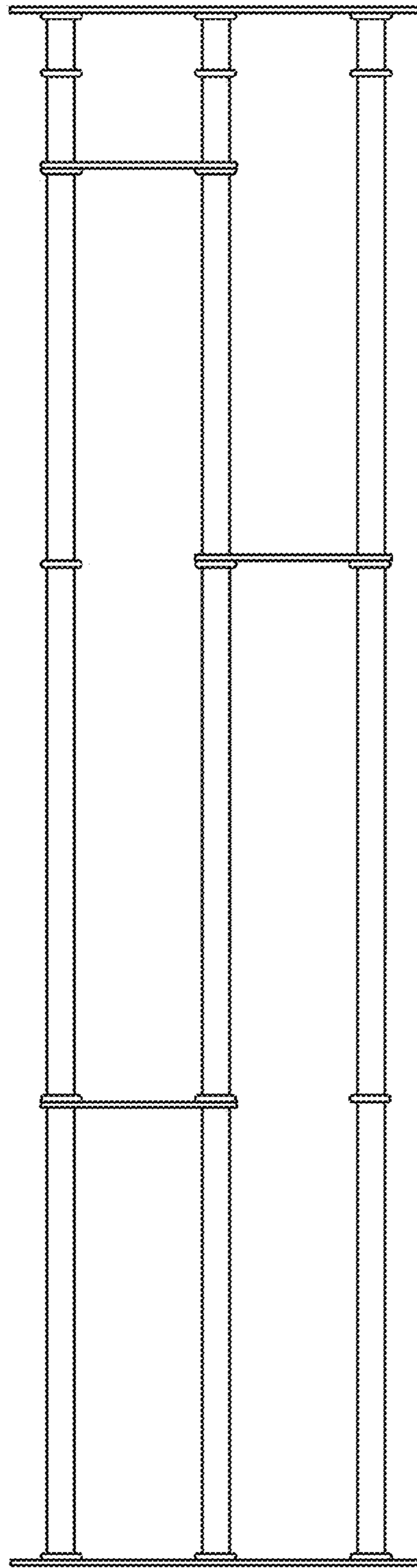


FIG. 10

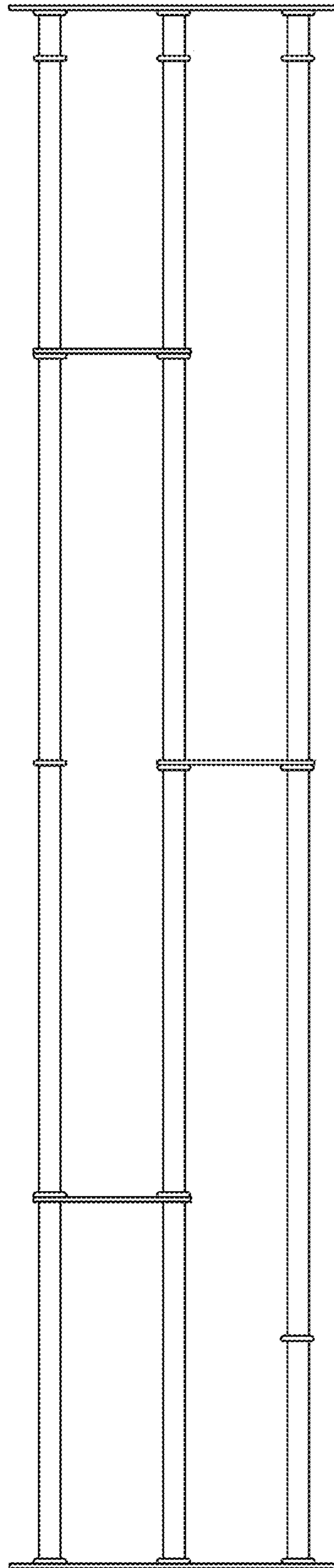


FIG. 11



FIG. 12



FIG. 13

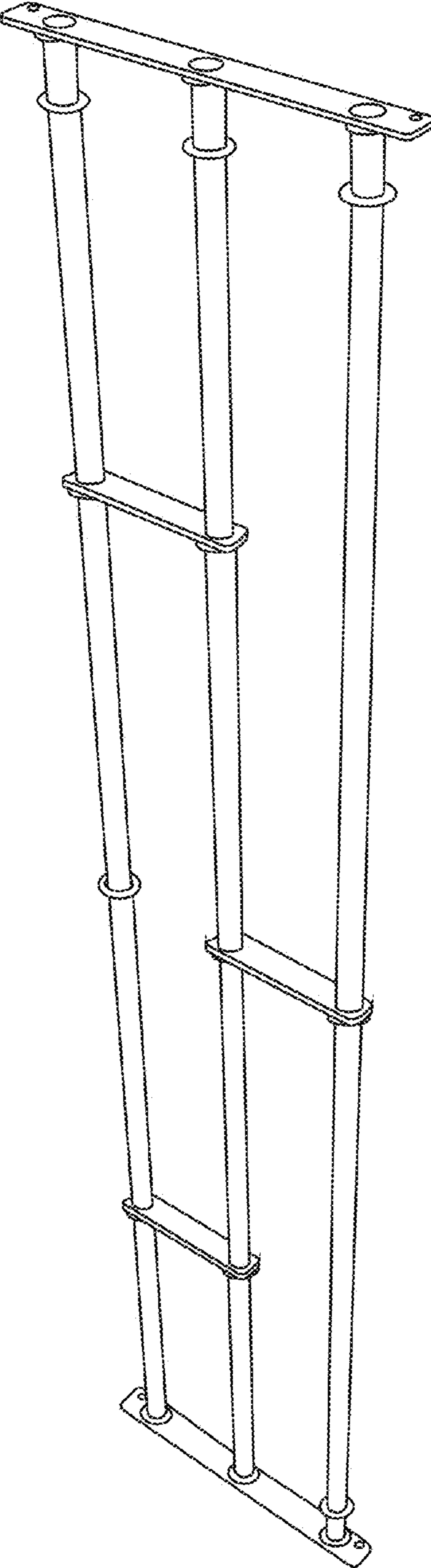


FIG. 14

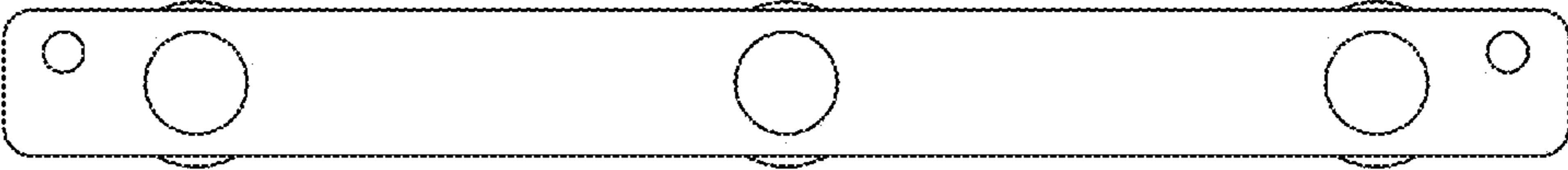


FIG. 15

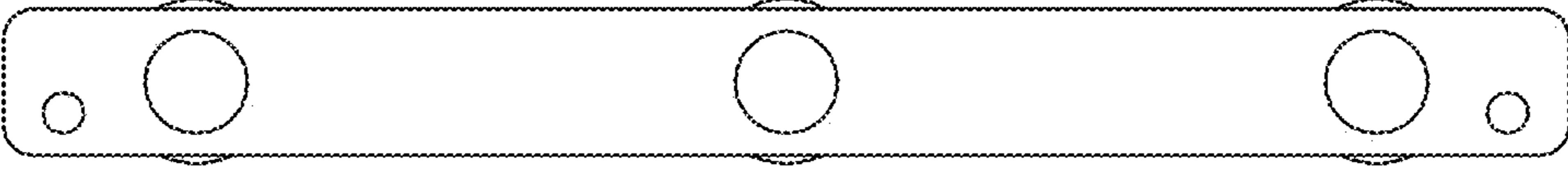


FIG. 16