



US00D751727S

(12) **United States Design Patent**
Orcutt

(10) **Patent No.:** **US D751,727 S**
(45) **Date of Patent:** **** Mar. 15, 2016**

(54) **TRAY SUPPORT FOR CHROMATOGRAPHIC EQUIPMENT**

(71) Applicant: **Matthew Orcutt**, Fort Wayne, IN (US)

(72) Inventor: **Matthew Orcutt**, Fort Wayne, IN (US)

(**) Term: **14 Years**

(21) Appl. No.: **29/466,300**

(22) Filed: **Sep. 6, 2013**

(51) **LOC (10) Cl.** **24-02**

(52) **U.S. Cl.**
USPC **D24/230**

(58) **Field of Classification Search**

USPC D24/216–232, 128, 167, 169; D10/81;
422/400–40, 408, 430, 68.1, 500, 502;
D8/349; D6/512; 436/43, 174
CPC G01N 31/22; G01N 33/525; G01N
33/54366; G01N 35/0092; G01N 33/84;
B01L 2400/0406; B01L 2300/0816; B01J
19/0046; C40B 60/14
See application file for complete search history.

D500,363	S	*	12/2004	Fanning	D24/227
D501,562	S	*	2/2005	Smith	D24/216
D501,679	S	*	2/2005	Smith	D24/216
D529,622	S		10/2006	Hadjis		
D533,948	S		12/2006	Schaub		
D562,463	S		2/2008	Berndt		
D574,505	S		8/2008	Muller-cohn		
D574,506	S		8/2008	Monks		
D601,247	S	*	9/2009	Hardin	D24/128
D608,457	S	*	1/2010	Griffiths	D24/227
D621,521	S	*	8/2010	Nuotio	D24/224
D624,194	S	*	9/2010	Pack	D24/224
D631,555	S	*	1/2011	Gorelik	D24/225
D632,402	S	*	2/2011	Sattler	D24/224
D632,403	S	*	2/2011	Griffiths	D24/227
D639,447	S		6/2011	Karpiloff		
D653,767	S		2/2012	Lovshe		
D665,096	S	*	8/2012	Marsche	D24/227
D668,780	S	*	10/2012	Wilson	D24/167
D672,881	S	*	12/2012	Kraihanzel	D24/224
D686,340	S	*	7/2013	Smith	D24/225
D692,132	S	*	10/2013	Damron	D24/128
D692,578	S	*	10/2013	Kikuhara	D24/216
2004/0126283	A1		7/2004	Backes		

* cited by examiner

Primary Examiner — T. Chase Nelson

Assistant Examiner — Mark Cavanna

(56) **References Cited**

U.S. PATENT DOCUMENTS

3,356,462	A		12/1967	Cooke		
D333,523	S	*	2/1993	Gianino	D24/229
5,417,923	A		5/1995	Bojanic		
5,603,899	A		2/1997	Franciskovich		
D411,308	S		6/1999	Pandey		
D413,391	S	*	8/1999	Lapeus	D24/230
5,972,694	A		10/1999	Mathus		
D420,743	S		2/2000	Monks		
D423,679	S	*	4/2000	Jenkins	D24/227
D428,497	S	*	7/2000	Lapeus	D24/227
D438,631	S	*	3/2001	Miller	D24/216
D438,632	S	*	3/2001	Miller	D24/224
D438,633	S	*	3/2001	Miller	D24/216
D469,544	S		1/2003	Lafond		
D482,454	S	*	11/2003	Gebrian	D24/224
D486,580	S	*	2/2004	Abdel-Model	D24/227
D487,518	S	*	3/2004	Ganz	D24/227
D492,419	S	*	6/2004	Farina	D24/226

(57) **CLAIM**

I claim the ornamental design for a tray support for chromatographic equipment, as shown and described.

DESCRIPTION

FIG. 1 is a perspective view of a tray support for chromatographic equipment showing my new design.
FIG. 2 is a front view thereof;
FIG. 3 is a rear view thereof;
FIG. 4 is a side view thereof;
FIG. 5 is a top side view thereof; and,
FIG. 6 is a bottom view thereof.
The broken lines are included for illustrating unclaimed portions of the tray support for chromatographic equipment and form no part of the design.

1 Claim, 4 Drawing Sheets

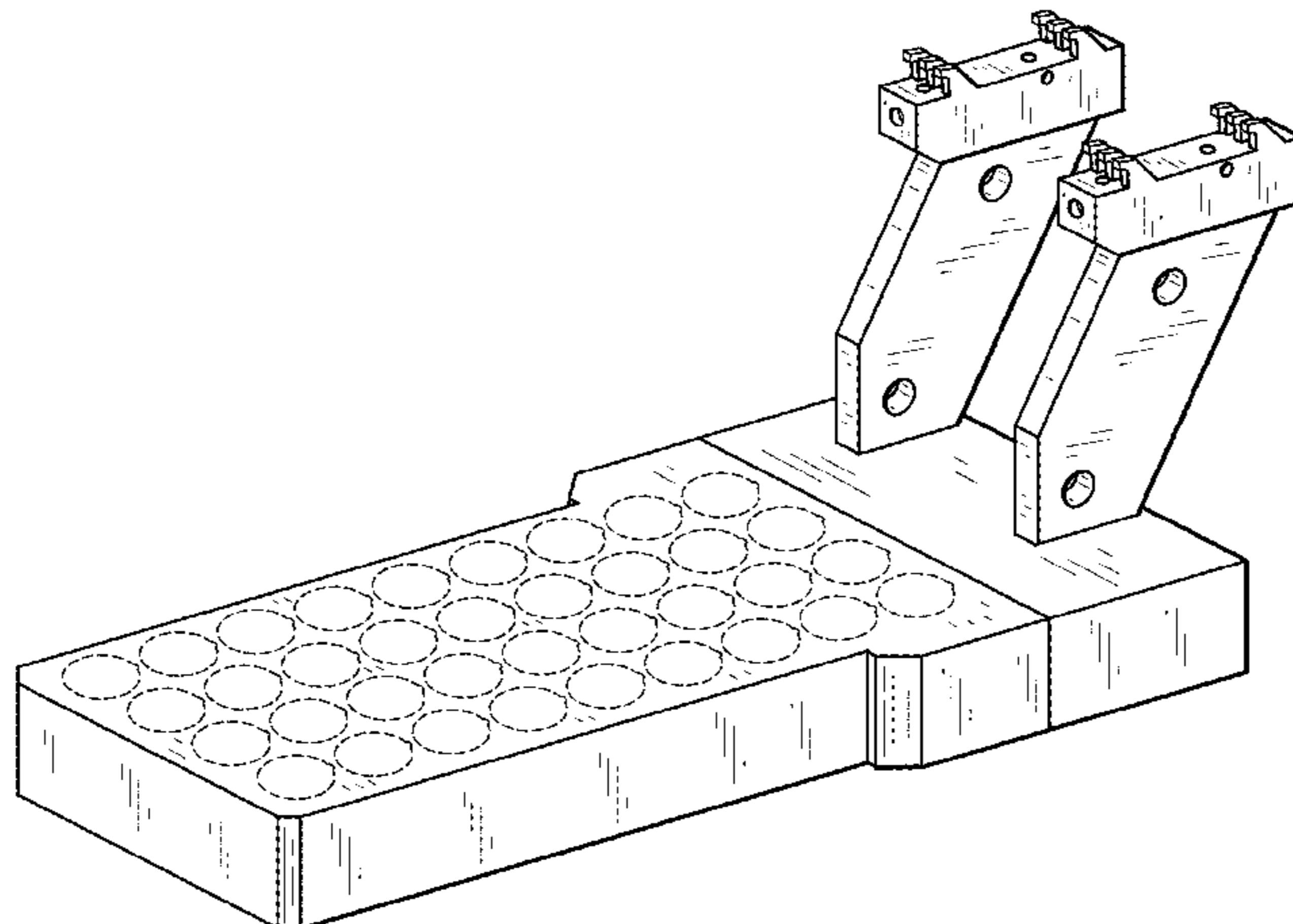


FIG. 1

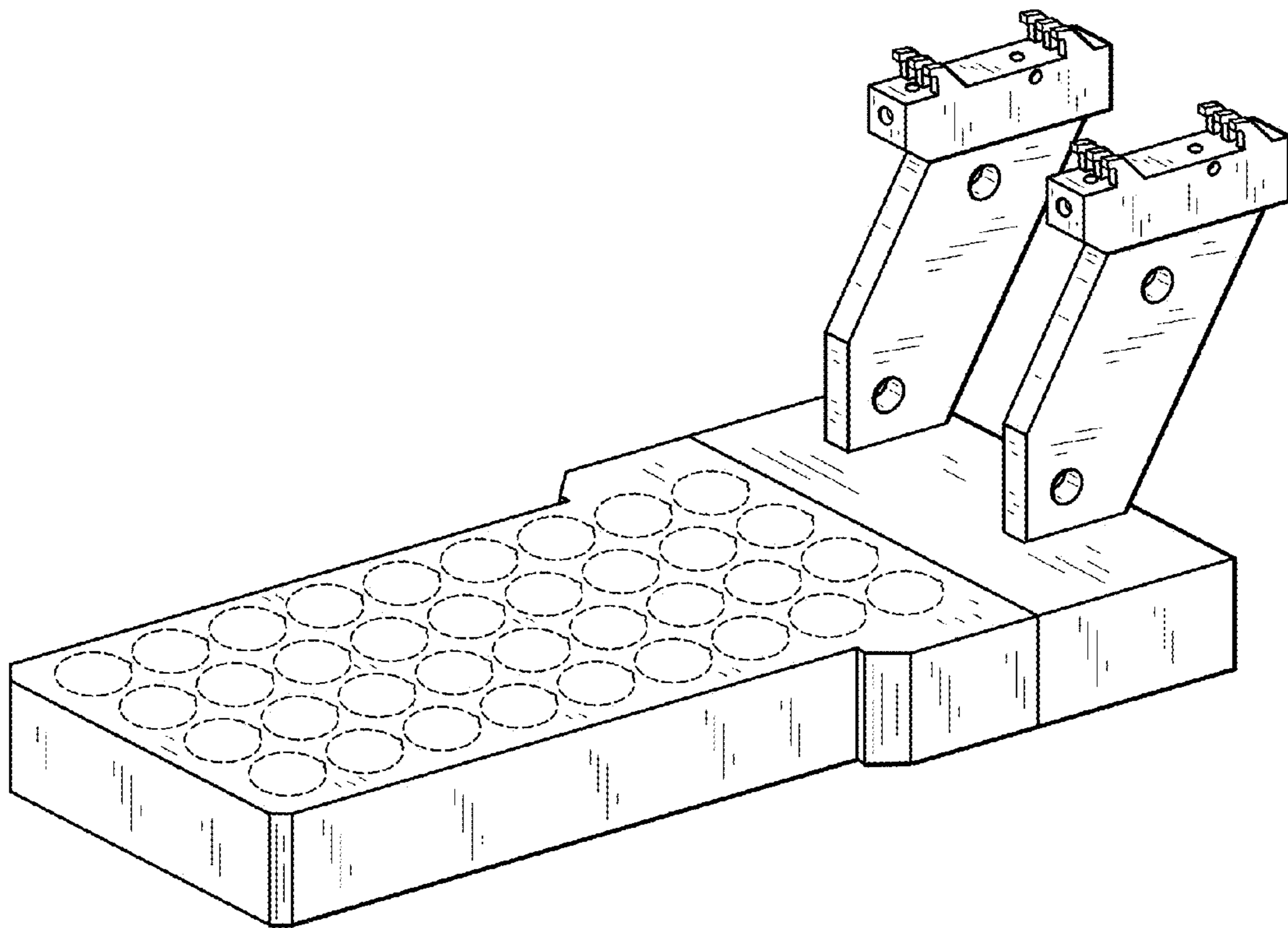


FIG. 2

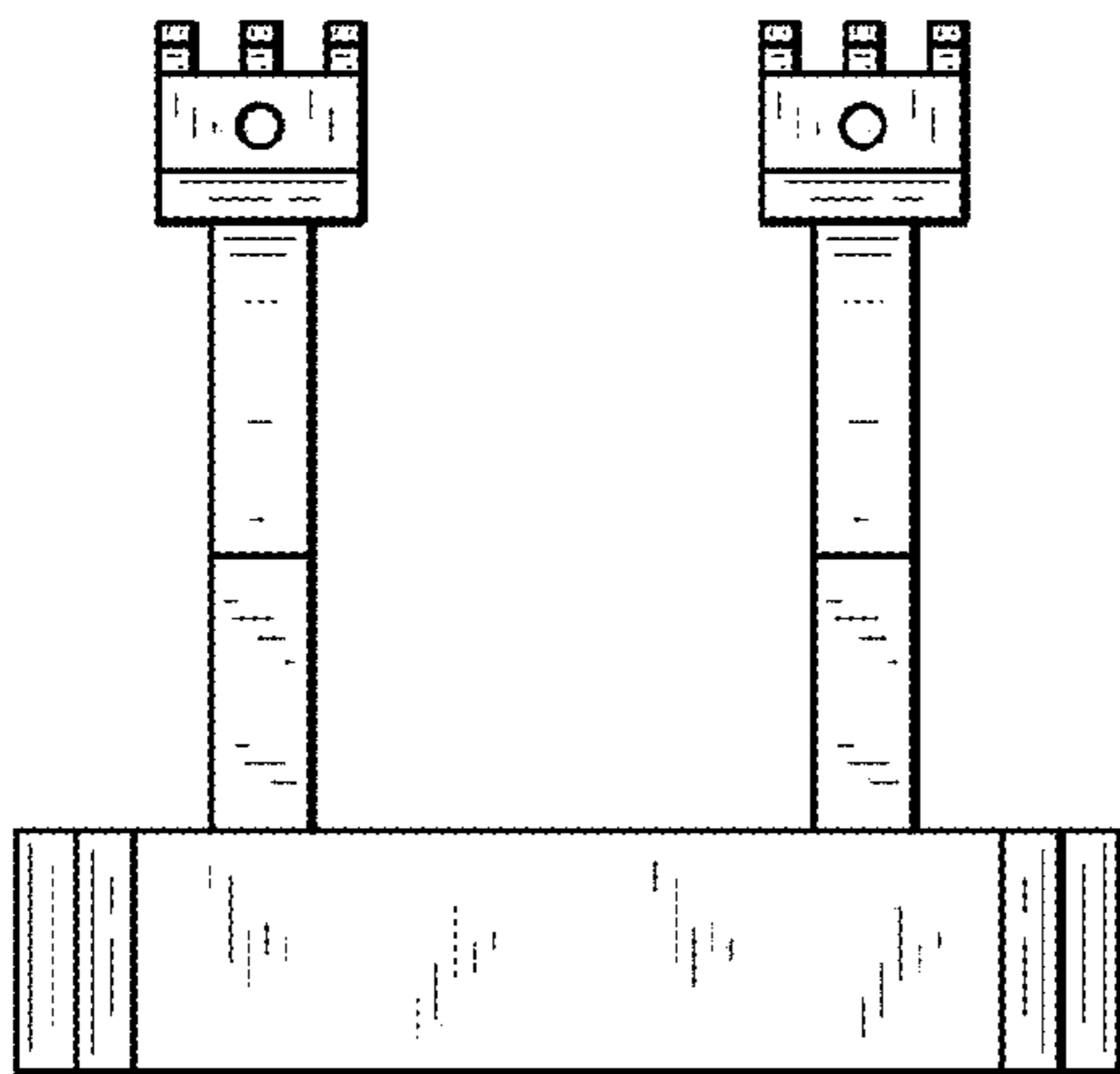


FIG. 5

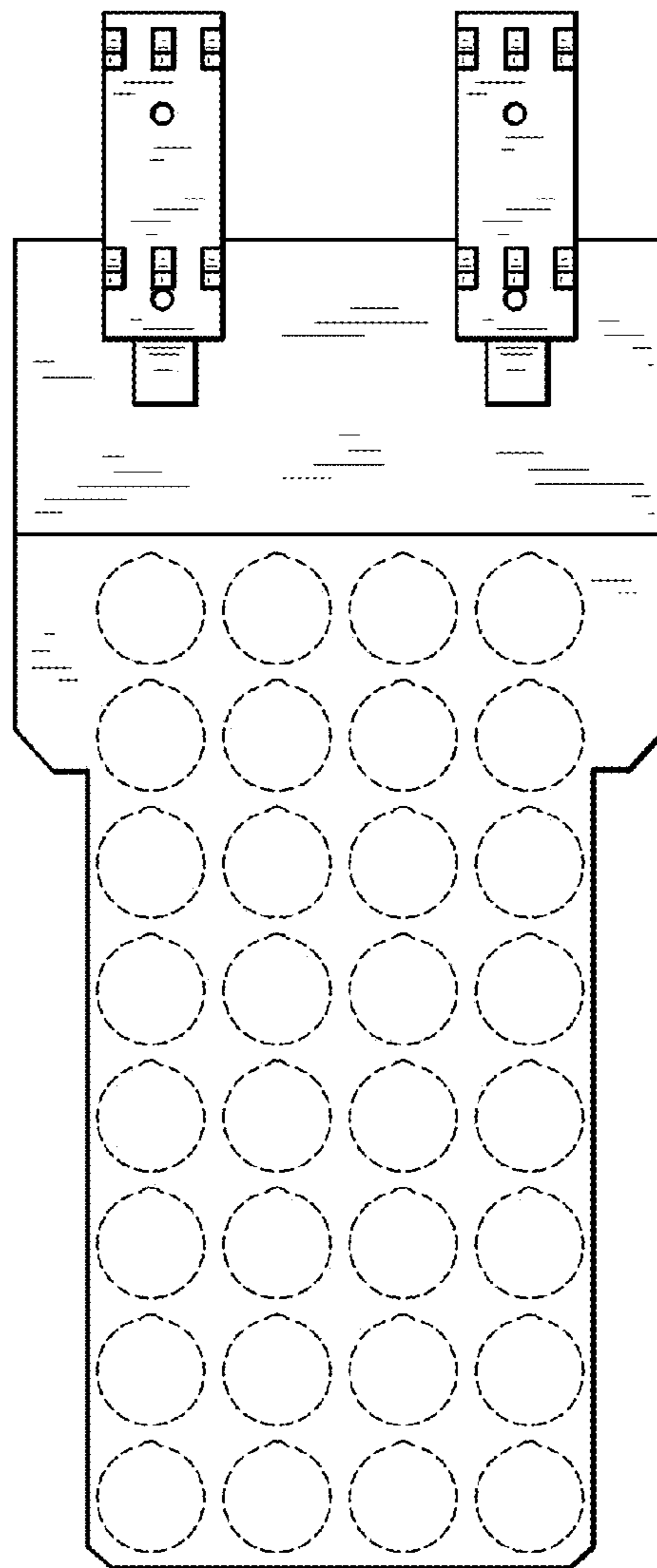


FIG. 3

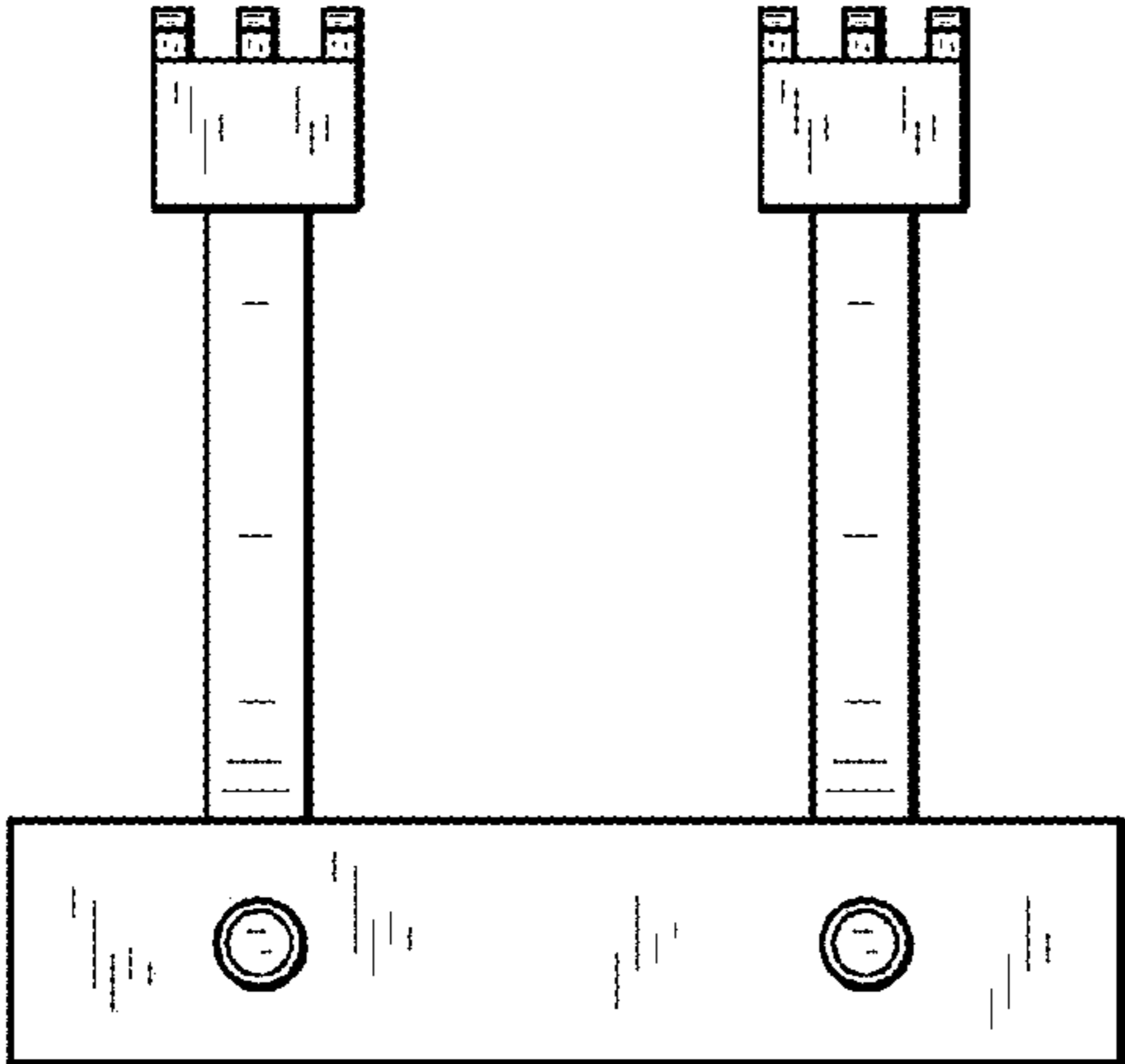


FIG. 6

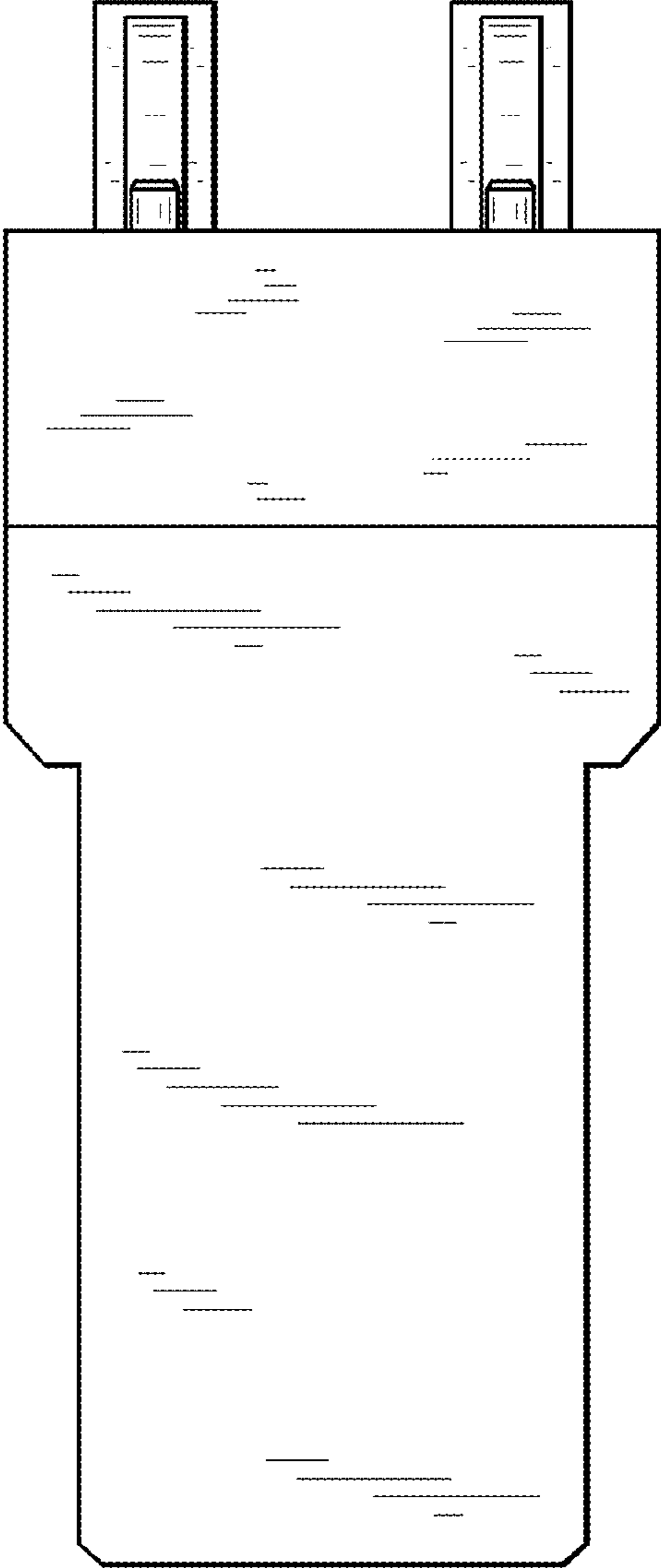


FIG. 4

