



US00D751726S

(12) **United States Design Patent**
Nishioka et al.

(10) **Patent No.:** **US D751,726 S**
(45) **Date of Patent:** **** Mar. 15, 2016**

(54) **PACKAGE**

(71) Applicants: **FUSO PHARMACEUTICAL INDUSTRIES, LTD.**, Osaka-shi (JP); **3-D Matrix, Ltd.**, Chiyoda-ku (JP)

(72) Inventors: **Fukumitsu Nishioka**, Higashiosaka (JP); **Shoujiro Tanioka**, Osaka (JP); **Masahiro Nohara**, Shibuya-ku (JP); **Kiyoshi Takano**, Koganei (JP)

(73) Assignees: **Fuso Pharmaceutical Industries, Ltd.**, Osaka-Shi, Osaka (JP); **3-D Matrix, Ltd.**, Chiyoda-Ku, Tokyo (JP)

(**) Term: **14 Years**

(21) Appl. No.: **29/467,196**

(22) Filed: **Sep. 17, 2013**

(30) **Foreign Application Priority Data**

Mar. 18, 2013 (JP) 2013-005936

(51) **LOC (10) Cl.** **24-02**

(52) **U.S. Cl.**
USPC **D24/229**

(58) **Field of Classification Search**

USPC D24/216-232, 121, 176, 123;
D3/203.1-203.8, 304, 313; 422/430,
422/547, 551, 552, 559-560, 300; D9/737,
D9/424-425, 431, 432, 758-759, 456;
206/350, 370, 571, 438, 557, 561, 564;
211/85.13, 126.1
CPC A61B 19/0271; A61B 17/0469; A61B
19/0256; A61L 2/26; B01L 9/54; B01L
3/50825; B01L 3/5085; B01L 3/502; B01L
9/06; B25H 3/06; A61F 2/0095; B65D 1/34;
B65D 1/36; A47F 7/02; H01H 9/025

See application file for complete search history.

(56) **References Cited**

U.S. PATENT DOCUMENTS

D218,077	S	*	7/1970	Gabriel	D24/229
D248,871	S	*	8/1978	Forsman	D24/230
D249,362	S	*	9/1978	Forsman	D24/230
D268,130	S	*	3/1983	Easton	D24/230
D283,051	S	*	3/1986	Fichera	D24/123
4,595,102	A	*	6/1986	Cianci	A61B 19/0271 206/370
D337,830	S	*	7/1993	Coyne	D24/227
D343,687	S	*	1/1994	Houghton	D24/227
5,318,543	A	*	6/1994	Ross	A61B 17/0469 206/571
5,339,955	A	*	8/1994	Horan	A61B 19/0271 206/350
D351,661	S	*	10/1994	Fischer	D24/176
D376,652	S	*	12/1996	Hunt	D24/227
D430,015	S	*	8/2000	Himbert	D24/227
D437,941	S	*	2/2001	Frattoni	D24/229
D442,697	S	*	5/2001	Hajianpour	D24/229

(Continued)

Primary Examiner — T. Chase Nelson

Assistant Examiner — Mark Cavanna

(74) *Attorney, Agent, or Firm* — Buchanan Ingersoll & Rooney PC

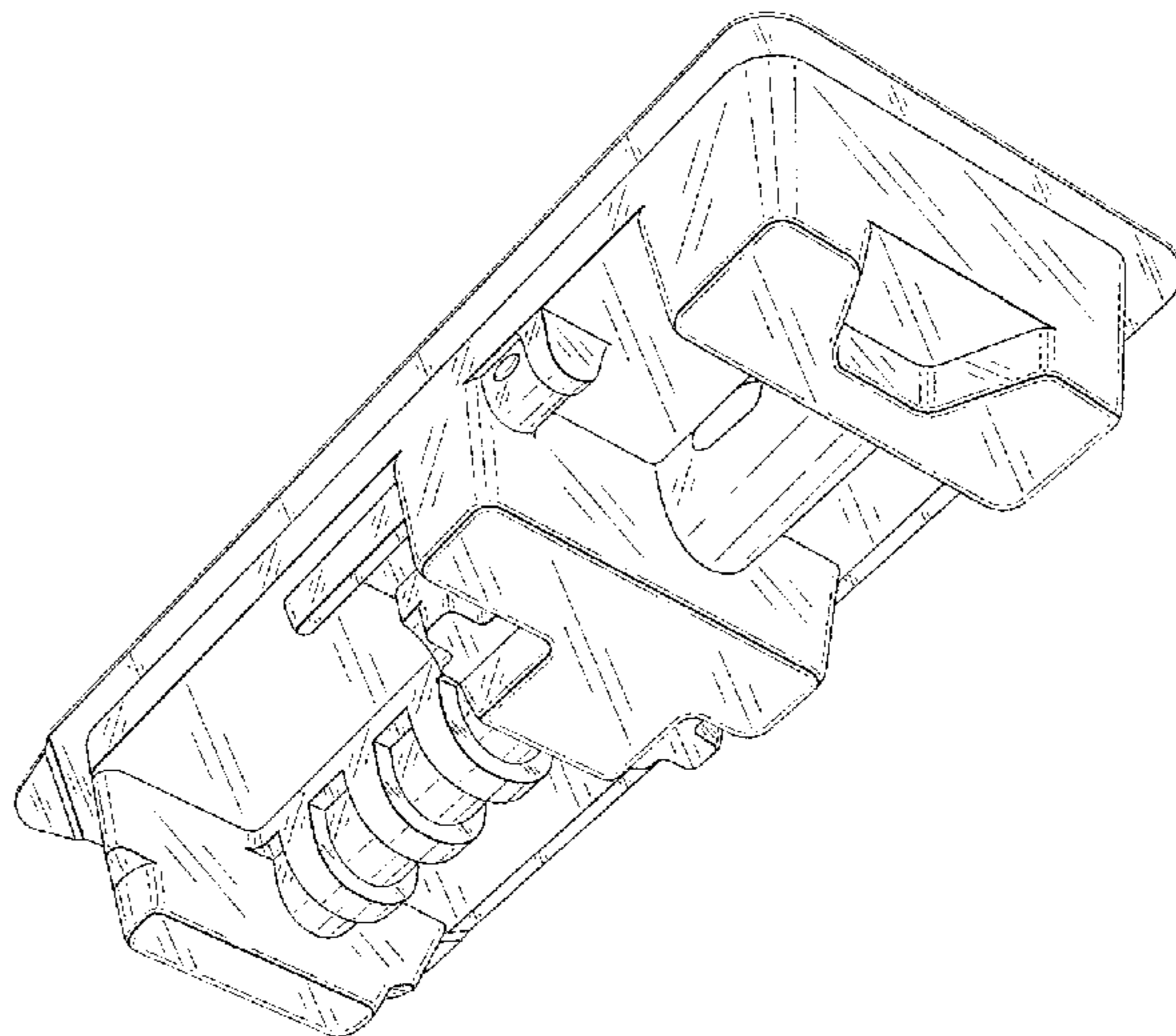
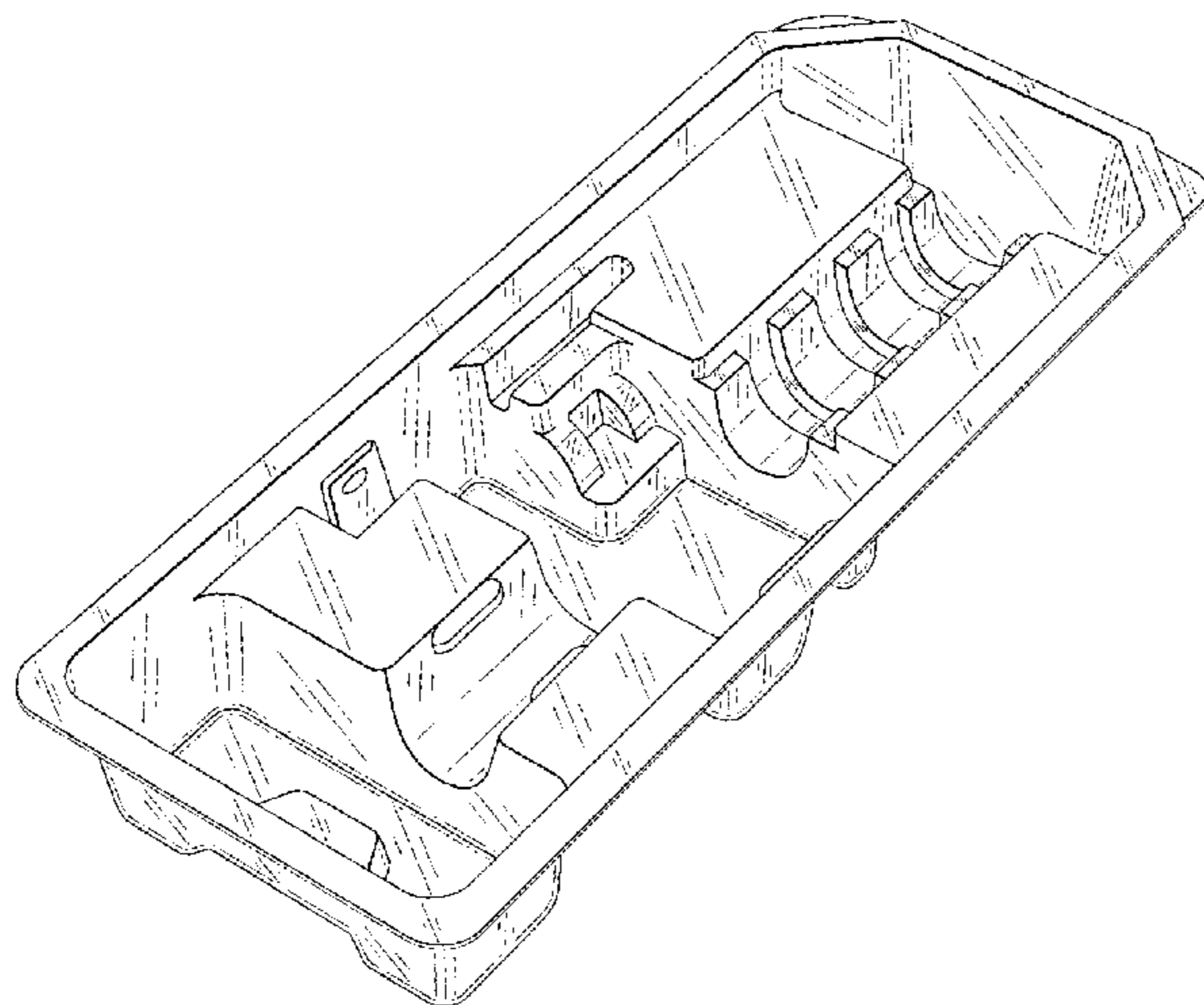
(57) **CLAIM**

The ornamental design for a package, as shown and described.

DESCRIPTION

FIG. 1 is a top, front and left side perspective view of a package showing our new design;
FIG. 2 is a top, rear and right side perspective view thereof;
FIG. 3 is a bottom, front and right side view thereof;
FIG. 4 is a bottom, rear and left side view thereof;
FIG. 5 is a front elevational view thereof;
FIG. 6 is a rear elevational view thereof;
FIG. 7 is a left side view thereof;
FIG. 8 is a right side view thereof;
FIG. 9 is a top plan view thereof; and,
FIG. 10 is a bottom plan view thereof.

1 Claim, 4 Drawing Sheets



(56)

References Cited

U.S. PATENT DOCUMENTS

D445,198 S * 7/2001 Frattini D24/227
D450,130 S * 11/2001 Goldstein D24/227
D450,391 S * 11/2001 Hunt D24/227
6,426,041 B1 * 7/2002 Smith A61B 19/0271
422/300
D471,641 S * 3/2003 McMichael D24/227
D495,807 S * 9/2004 Agbodo D24/227
D571,478 S * 6/2008 Horacek D24/217

D587,110 S * 2/2009 Kronshage D24/227
D608,015 S * 1/2010 Sandel D24/227
D608,456 S * 1/2010 Sandel D24/227
D613,418 S * 4/2010 Ryan D24/229
D627,648 S * 11/2010 He D9/456
D631,558 S * 1/2011 Harmston D24/229
D676,573 S * 2/2013 Austria D24/227
D708,347 S * 7/2014 Lober D24/227
D708,759 S * 7/2014 Heyman D24/229
D720,470 S * 12/2014 Lober D24/227

* cited by examiner

FIG. 1

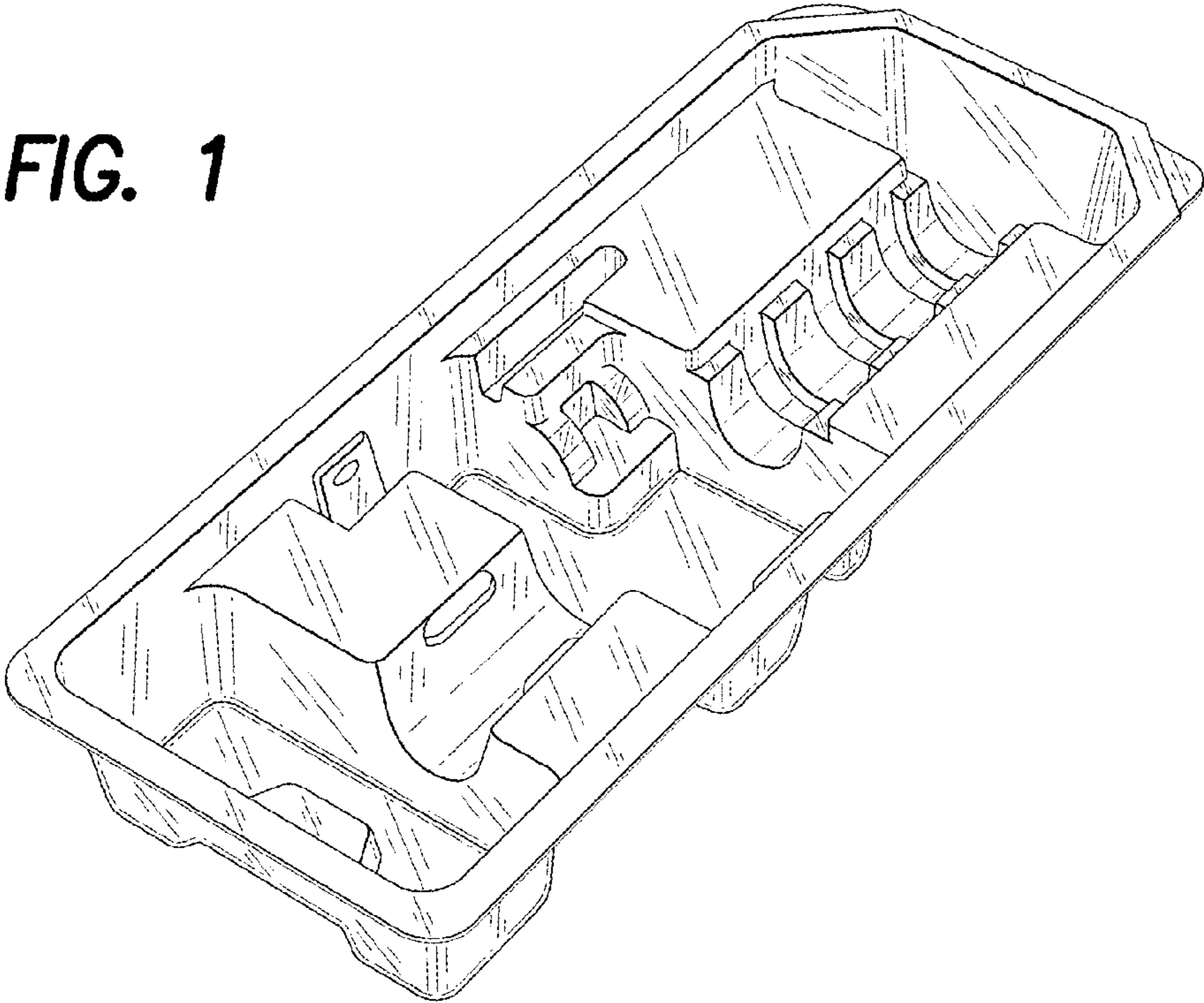


FIG. 2

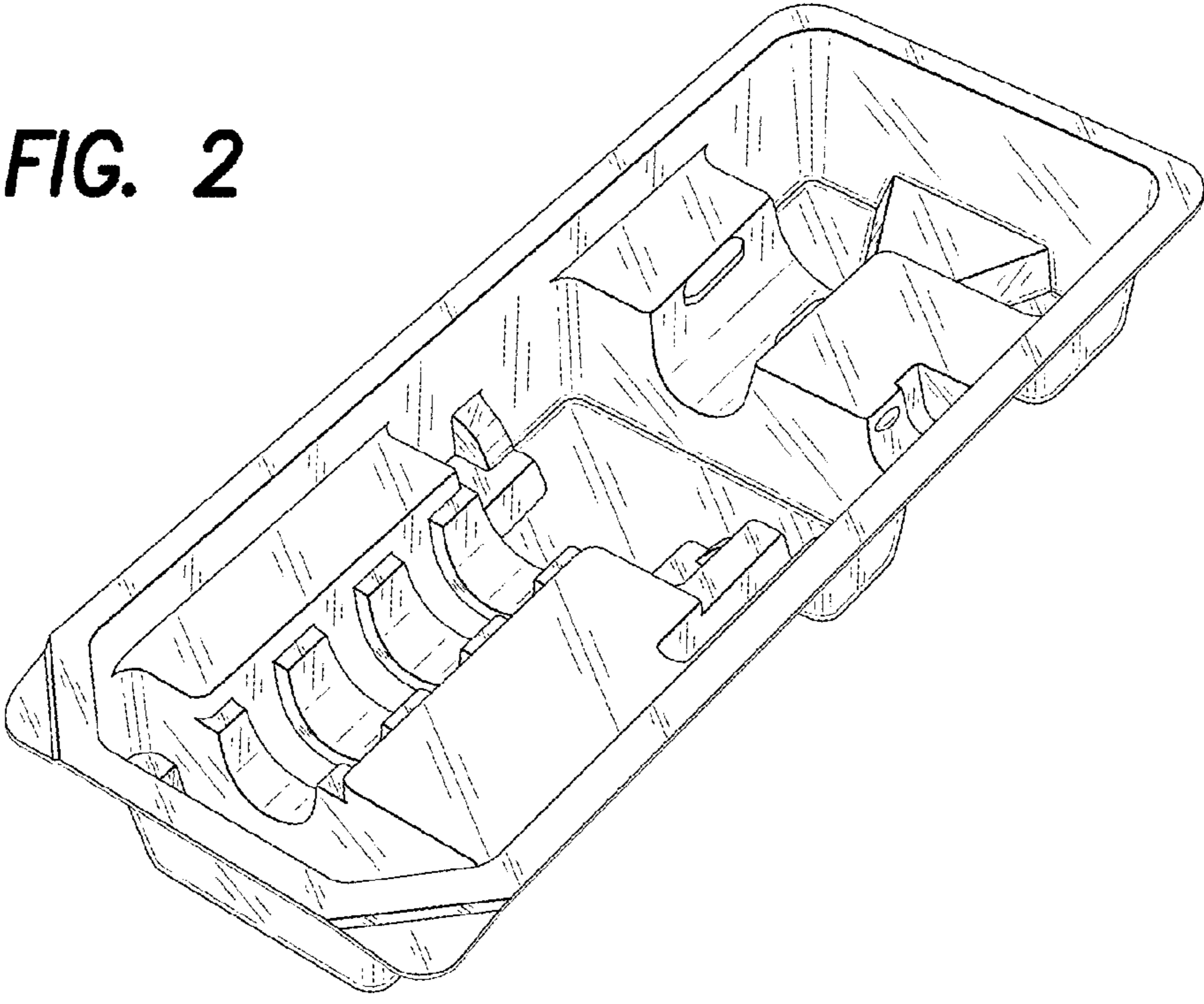


FIG. 3

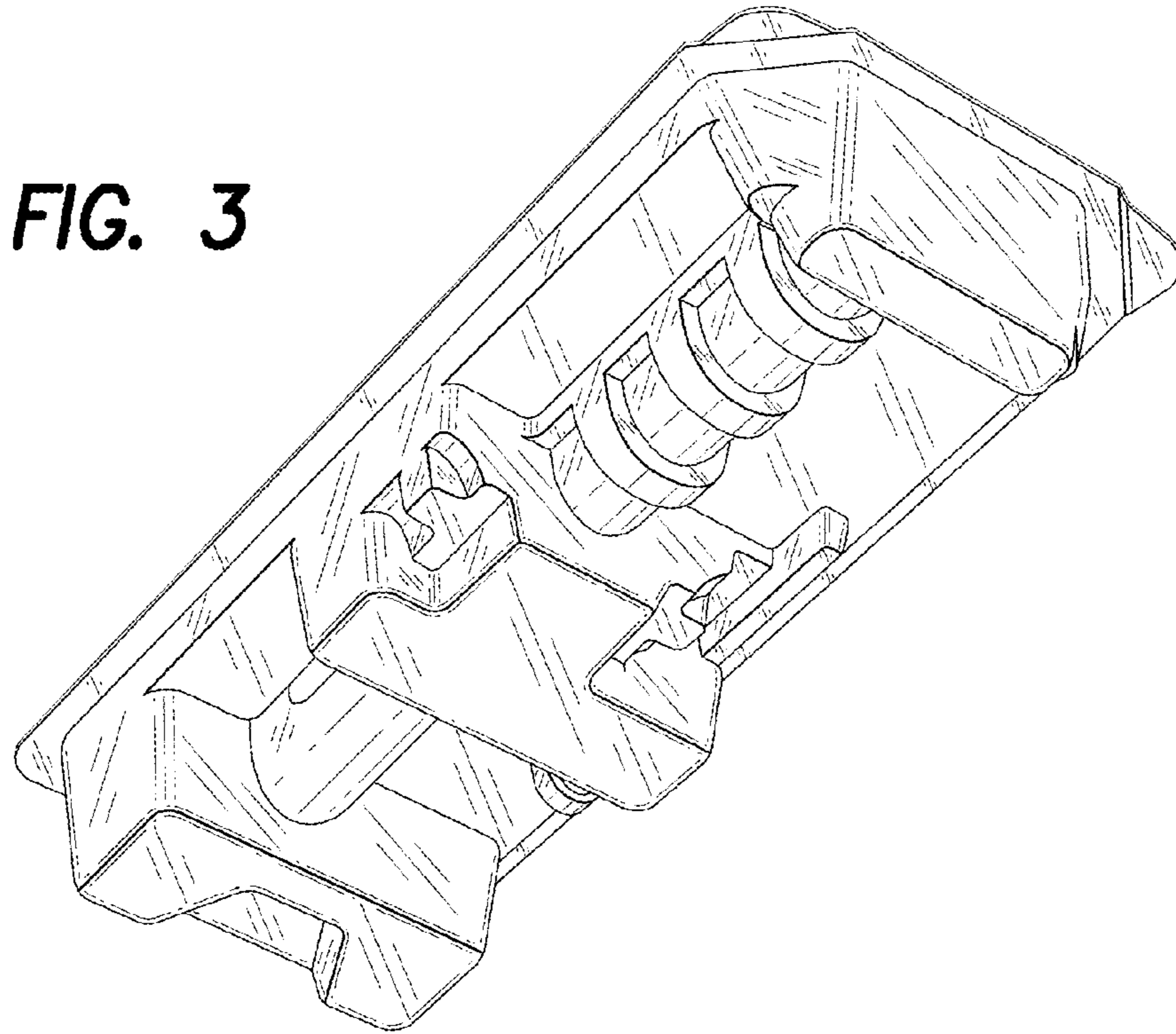


FIG. 4

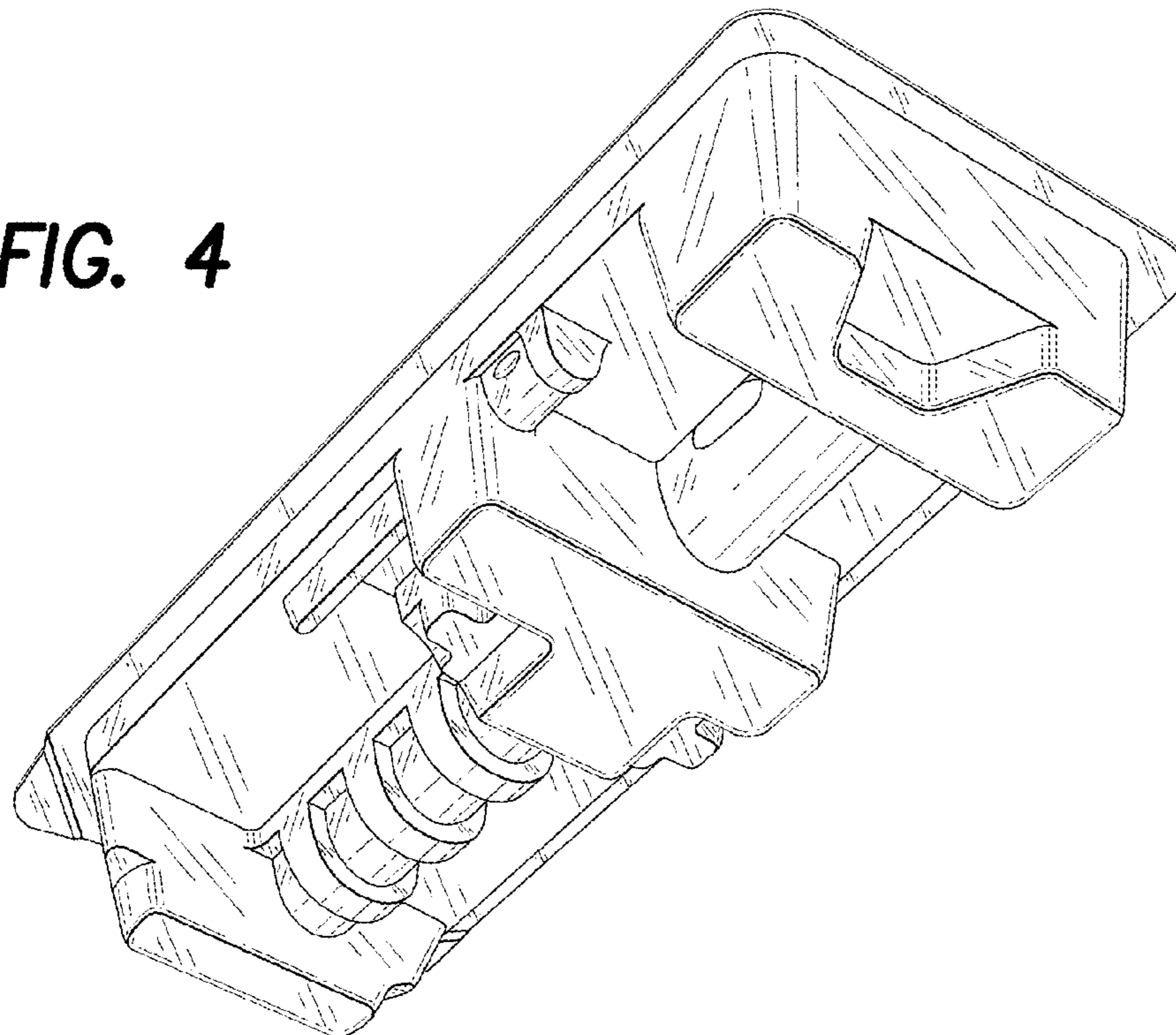


FIG. 5

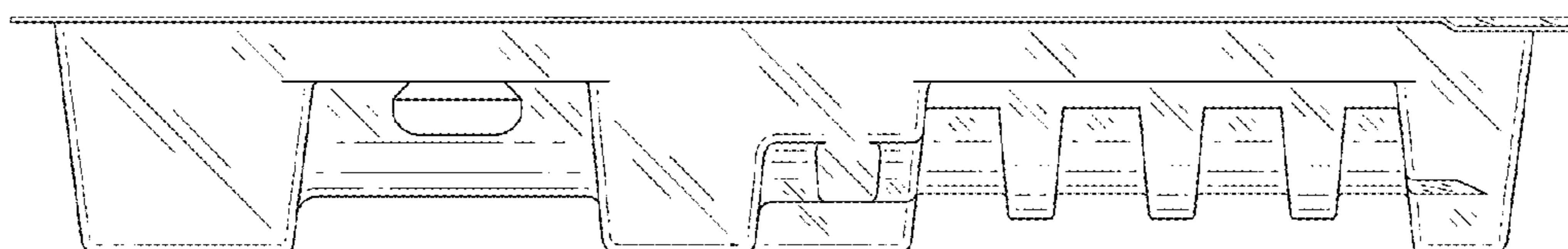


FIG. 6

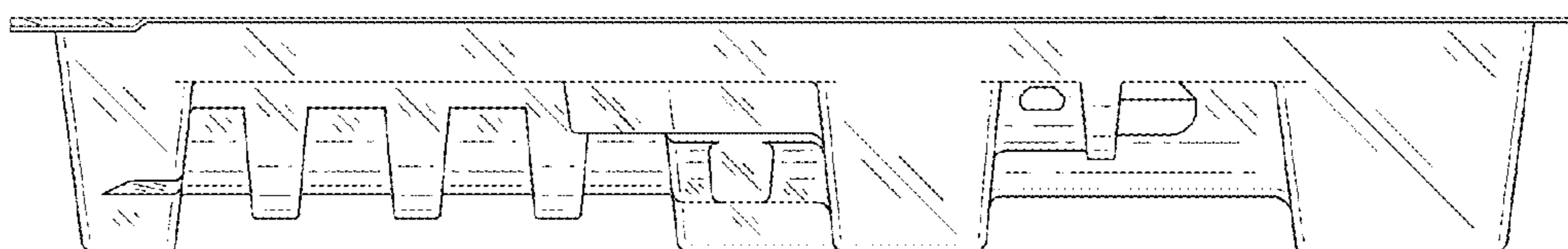


FIG. 7

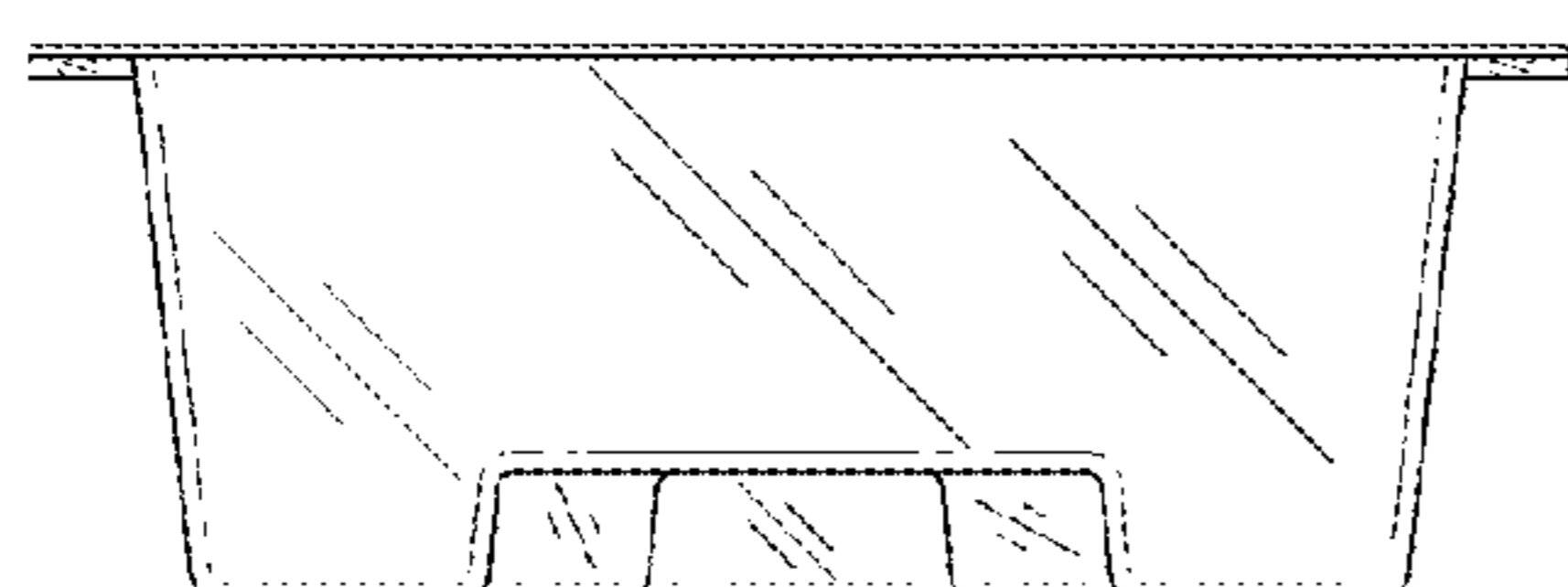


FIG. 8

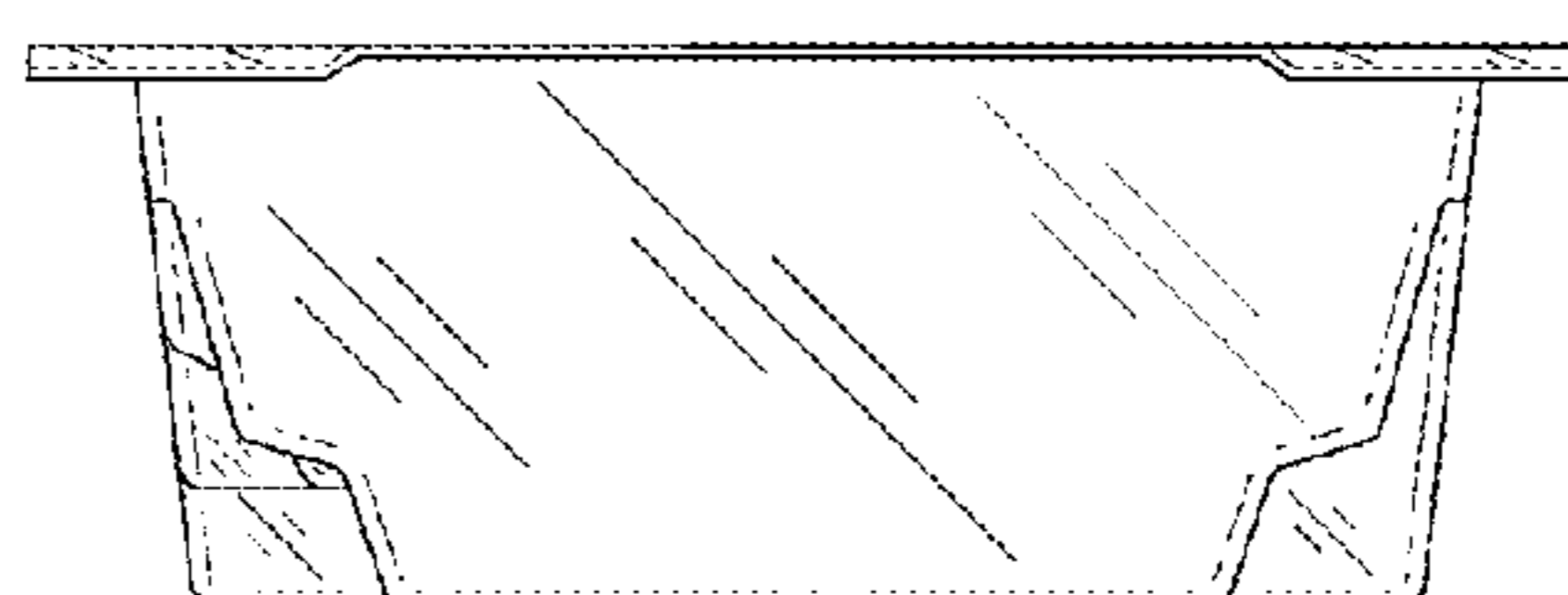


FIG. 9

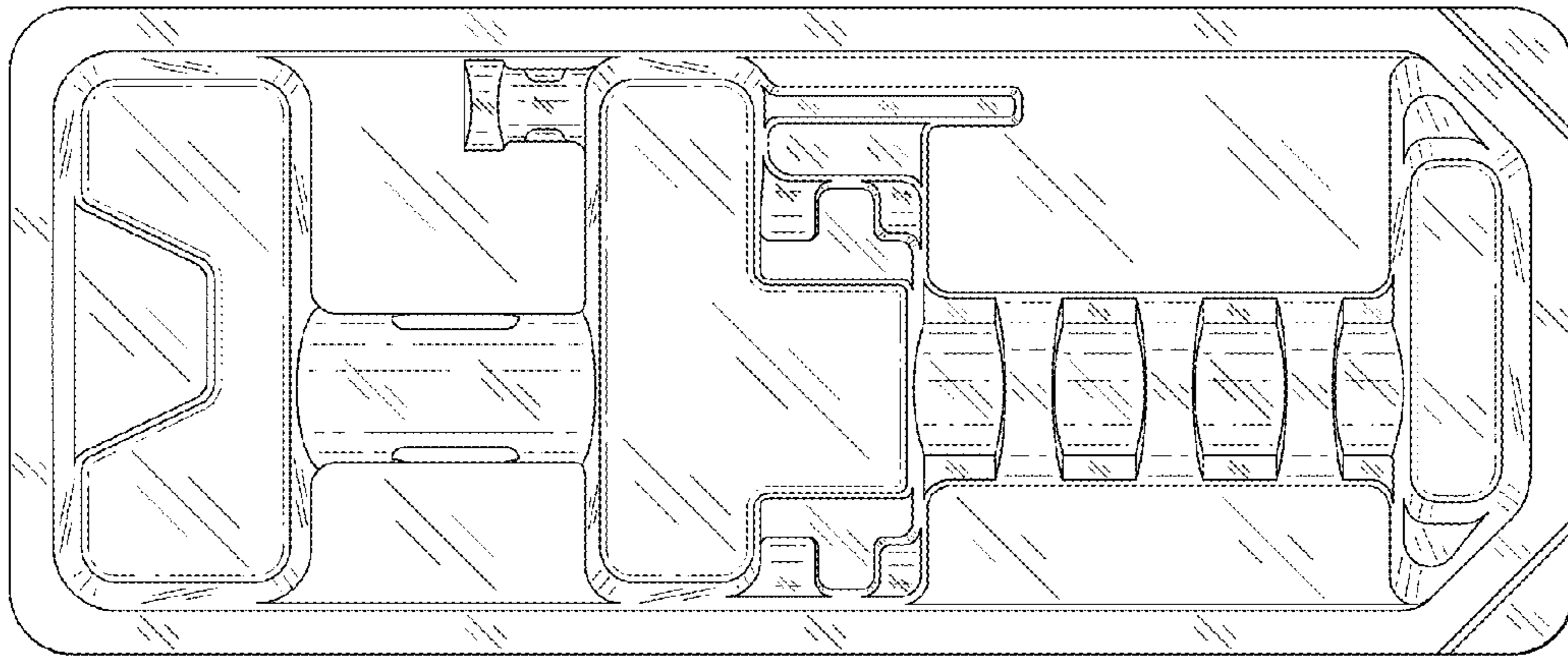


FIG. 10

