



US00D751725S

(12) **United States Design Patent**
Oonuma et al.

(10) **Patent No.:** **US D751,725 S**
(45) **Date of Patent:** **** Mar. 15, 2016**

(54) **CLINICAL ANALYZER**

(71) Applicant: **Hitachi High-Technologies Corporation**, Minato-ku, Tokyo (JP)

(72) Inventors: **Mitsuru Oonuma**, Tokyo (JP); **Hiroyuki Noda**, Tokyo (JP); **Katsuhiko Kambara**, Tokyo (JP); **Hiroaki Sakai**, Tokyo (JP)

(73) Assignee: **Hitachi High-Technologies Corporation**, Tokyo (JP)

(**) Term: **14 Years**

(21) Appl. No.: **29/516,095**

(22) Filed: **Jan. 29, 2015**

(30) **Foreign Application Priority Data**

Sep. 26, 2014 (JP) 2014-021287

(51) **LOC (10) Cl.** **24-01**

(52) **U.S. Cl.**
USPC **D24/216**

(58) **Field of Classification Search**

USPC D24/216, 223–225, 231, 232, 186, 107;
D10/81; 436/43, 45, 47; 422/500, 547,
422/62–65, 67; 435/287.1, 287.3
CPC G01N 1/28; G01N 33/50; G01N 35/025
See application file for complete search history.

(56) **References Cited**

U.S. PATENT DOCUMENTS

D287,633 S * 1/1987 Hollar et al. D24/230
4,849,177 A * 7/1989 Jordan 422/65
D330,770 S * 11/1992 Rodomista et al. D24/216

(Continued)

Primary Examiner — Anhdao Doan

(74) *Attorney, Agent, or Firm* — Crowell & Moring LLP

(57) **CLAIM**

The ornamental design for a clinical analyzer, as shown and described.

DESCRIPTION

FIG. 1 is a front, top and right side perspective view of a clinical analyzer with its environment showing our new design;

FIG. 2 is a front elevational view thereof with its environment;

FIG. 3 is a rear elevational view thereof with its environment;

FIG. 4 is a left side elevational view thereof with its environment;

FIG. 5 is a right side elevational view thereof with its environment;

FIG. 6 is a top plan view thereof with its environment;

FIG. 7 is a bottom plan view thereof with its environment;

FIG. 8 is a reference front, top and right side perspective view thereof shown in an opened position with its environment;

FIG. 9 is an enlarged front, top and right side perspective view thereof without environmental matter;

FIG. 10 is an enlarged front elevational view thereof without environmental matter;

FIG. 11 is an enlarged rear elevational view thereof without environmental matter;

FIG. 12 is an enlarged left side elevational view thereof without environmental matter;

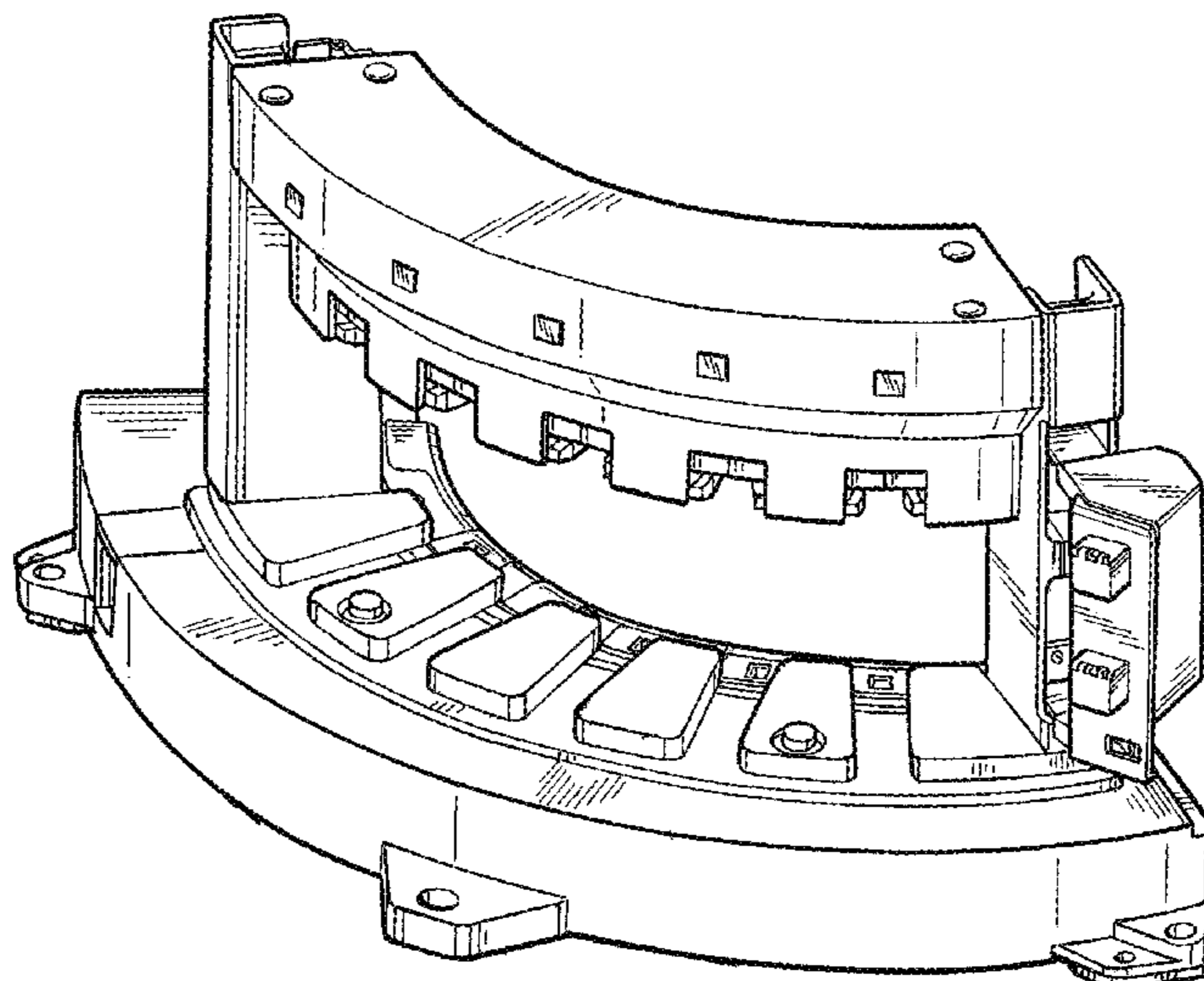
FIG. 13 is an enlarged right side elevational view thereof without environmental matter;

FIG. 14 is an enlarged top plan view thereof without environmental matter; and,

FIG. 15 is an enlarged bottom plan view thereof without environmental matter.

The broken lines in FIG. 1-8 views are included for the purpose of illustrating environmental subject matters, and the broken lines in FIG. 15 views are included for the purpose of illustrating portions of the clinical analyzer that form no part of the claimed design. None of the broken lines form a part of the claimed design.

1 Claim, 14 Drawing Sheets



US D751,725 S

Page 2

(56)

References Cited

U.S. PATENT DOCUMENTS

D669,189 S *	10/2012	Liu et al.	D24/216
D685,919 S *	7/2013	Lee et al.	D24/216
2008/0213903 A1 *	9/2008	Kambara et al.	422/68.1
D337,387 S *	7/1993	Frenkel et al.	D24/224

* cited by examiner

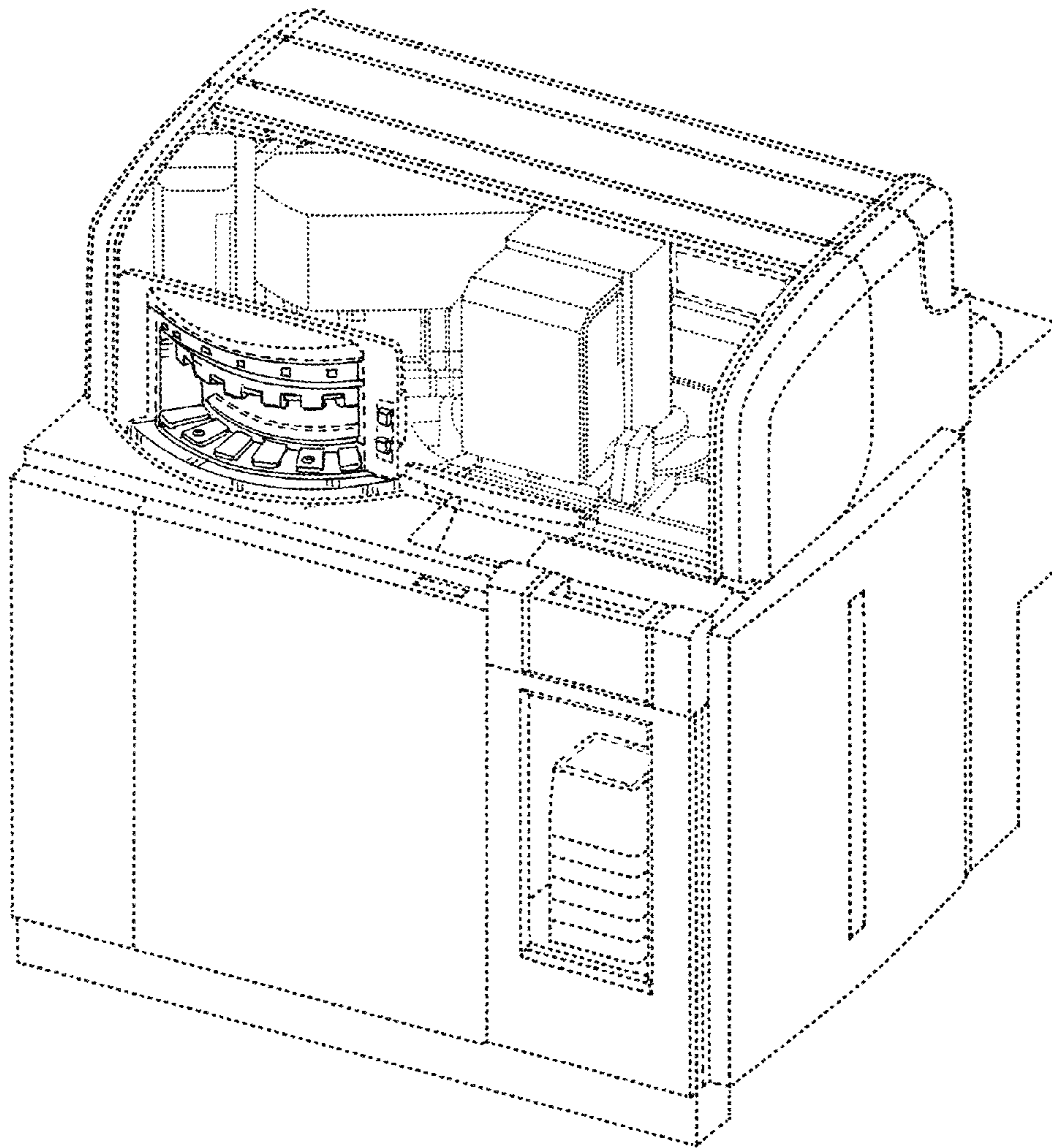


FIG. 1

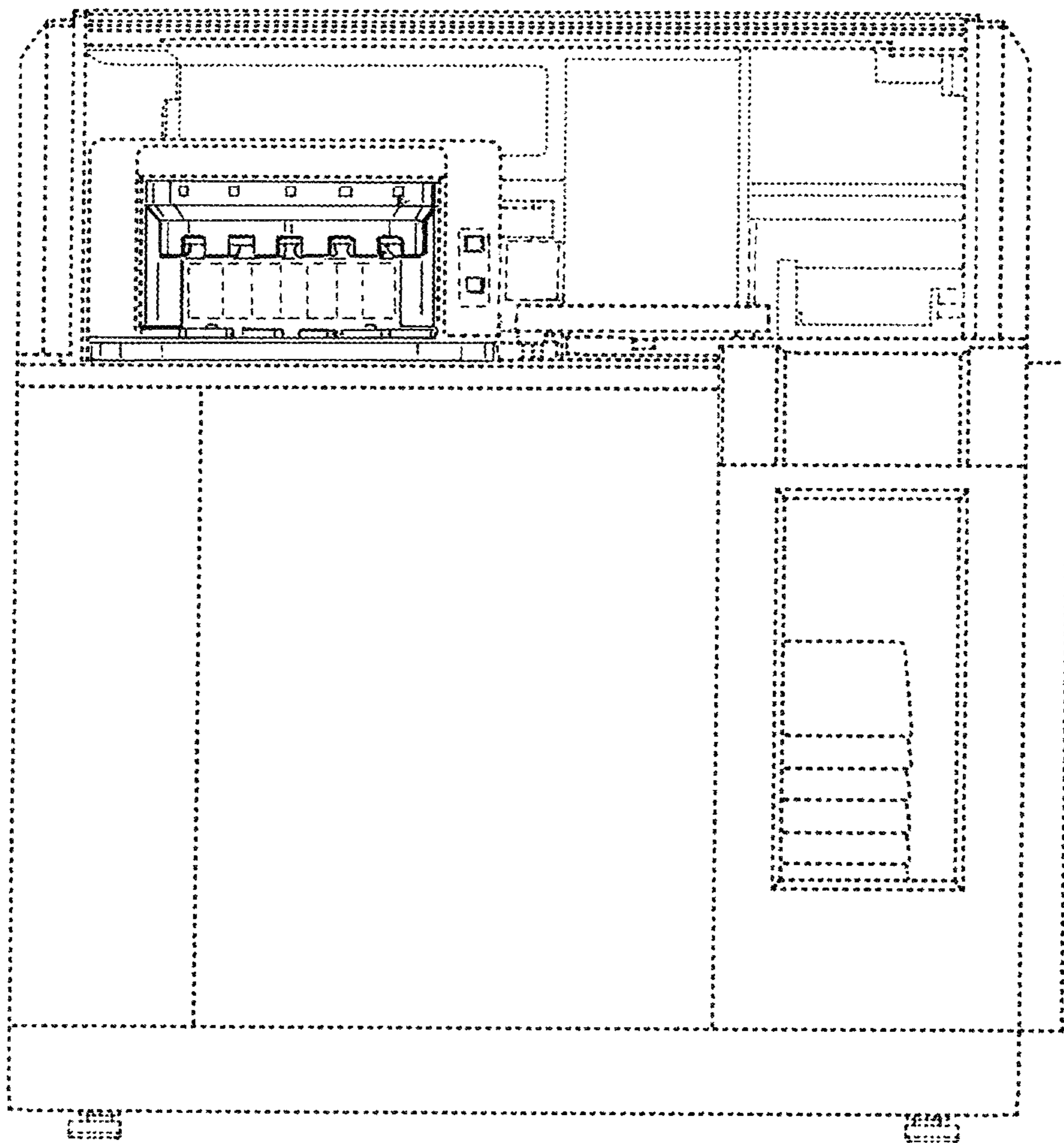


FIG. 2

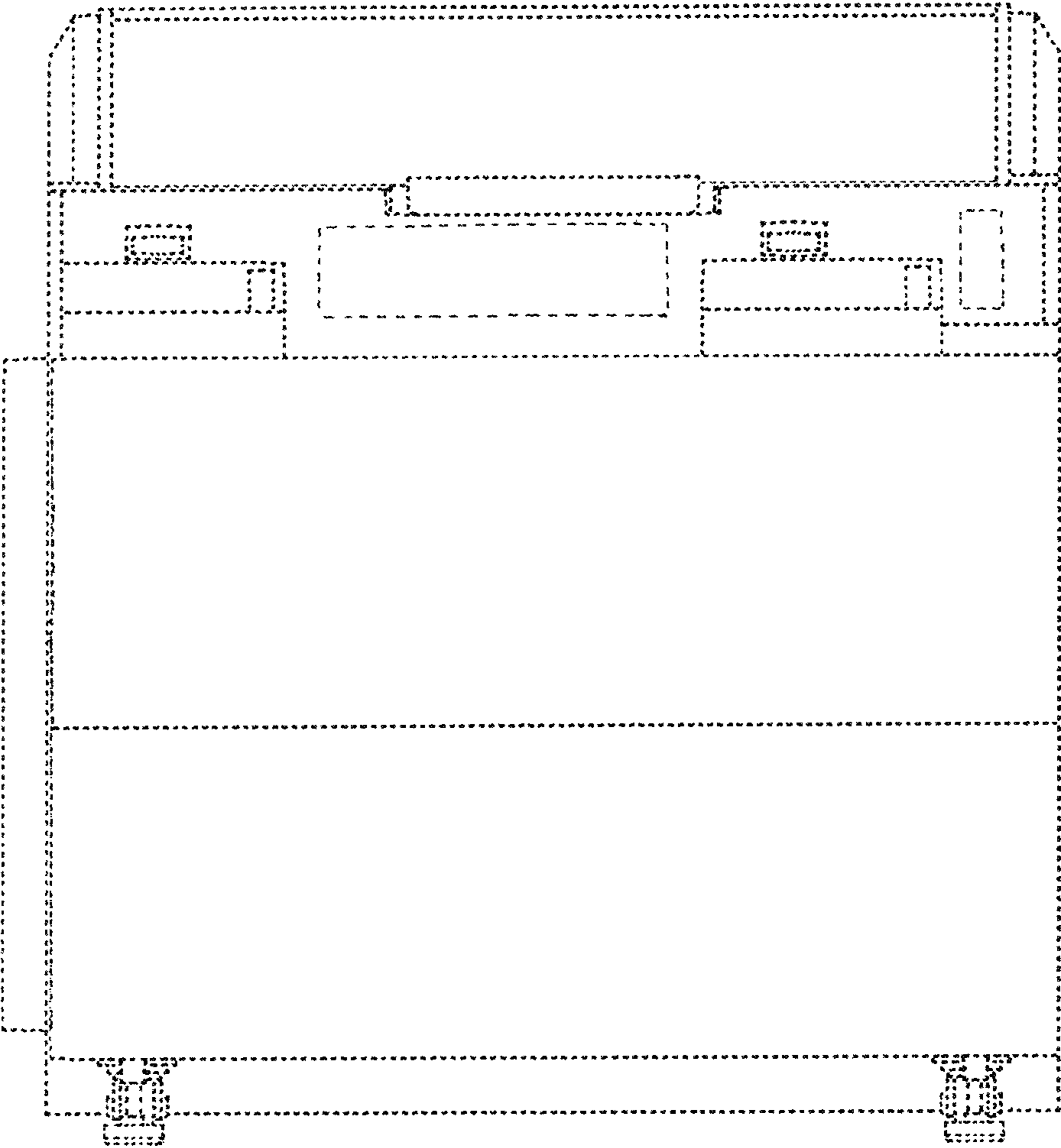


FIG. 3

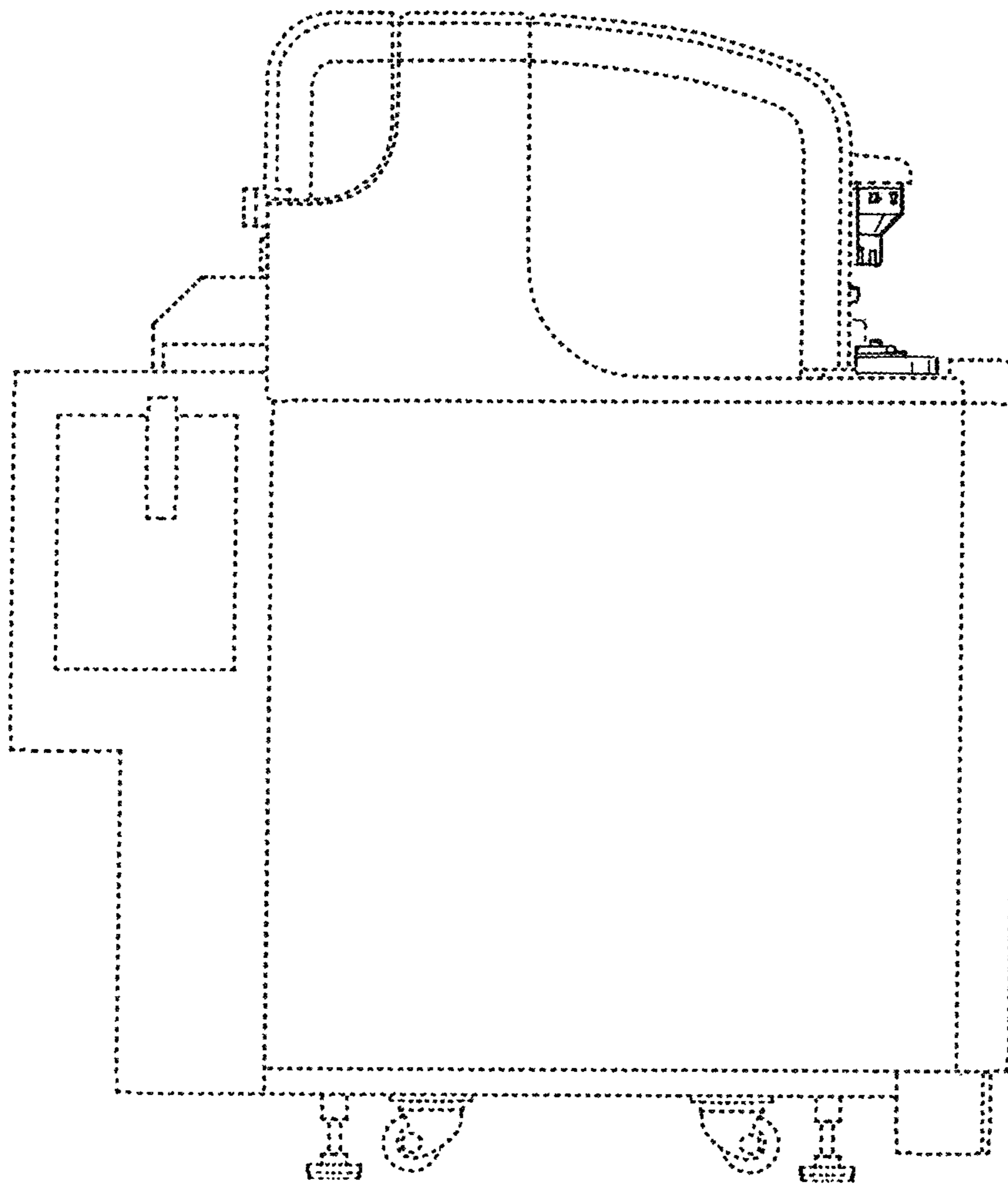


FIG. 4

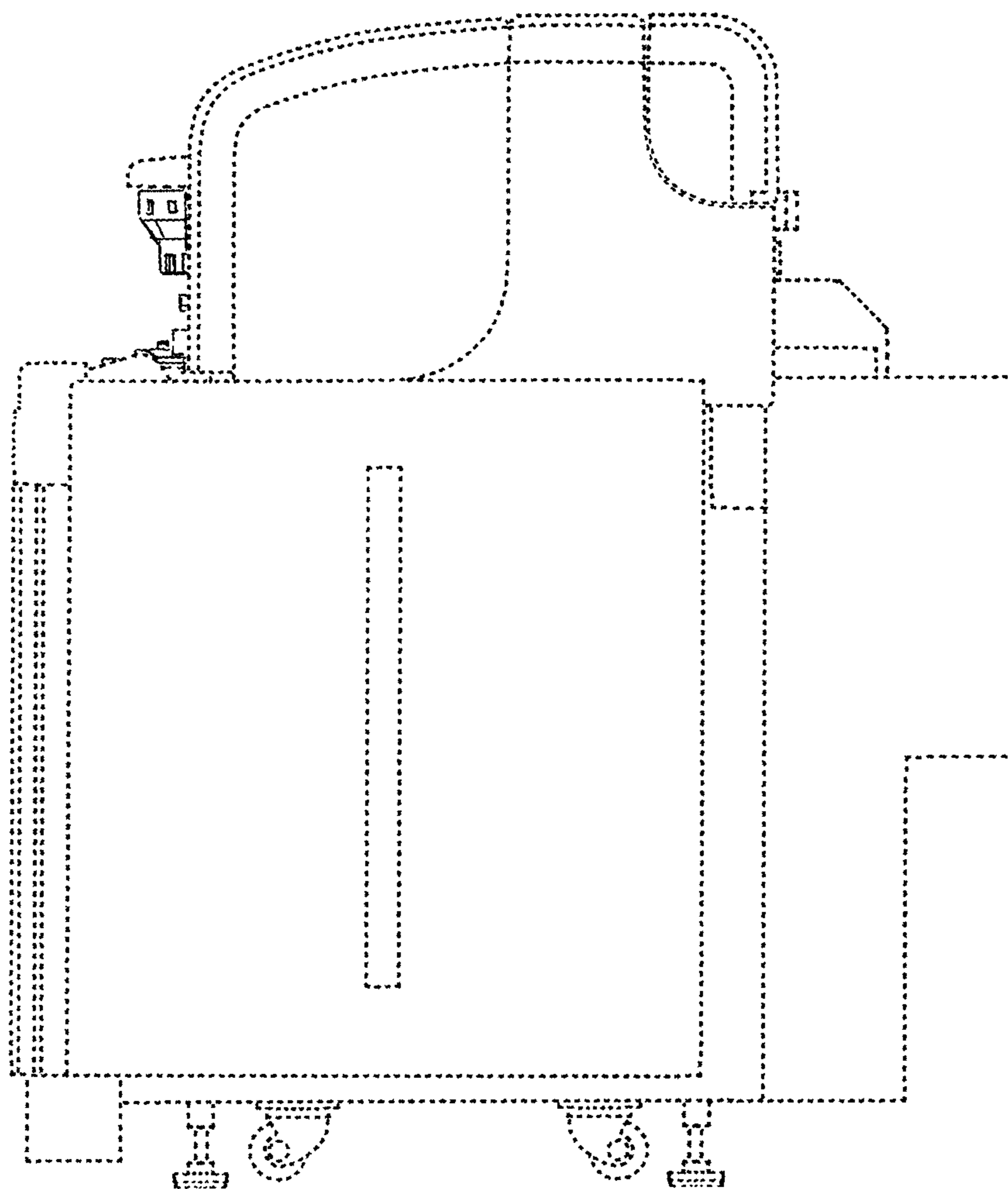


FIG. 5

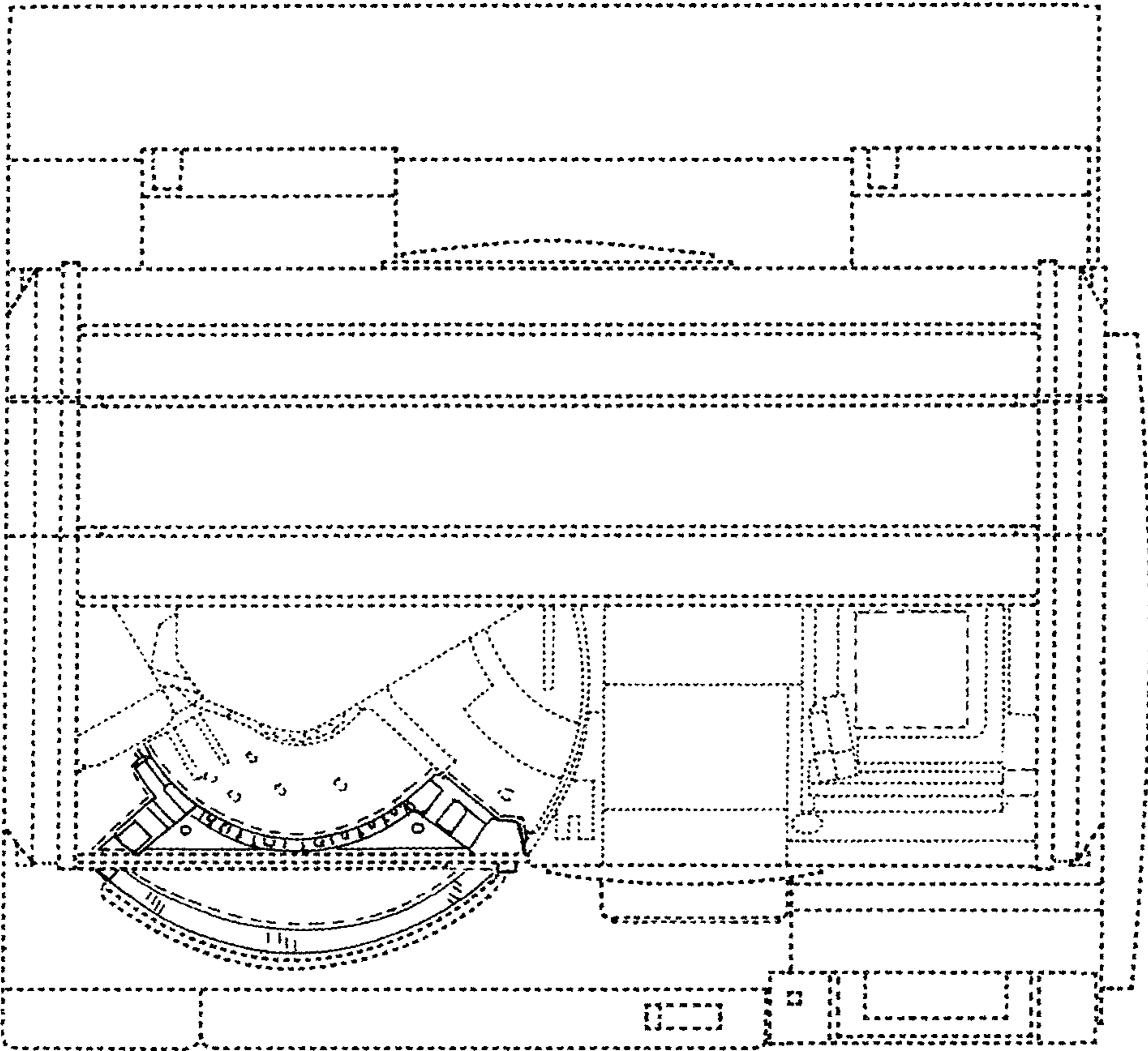


FIG. 6

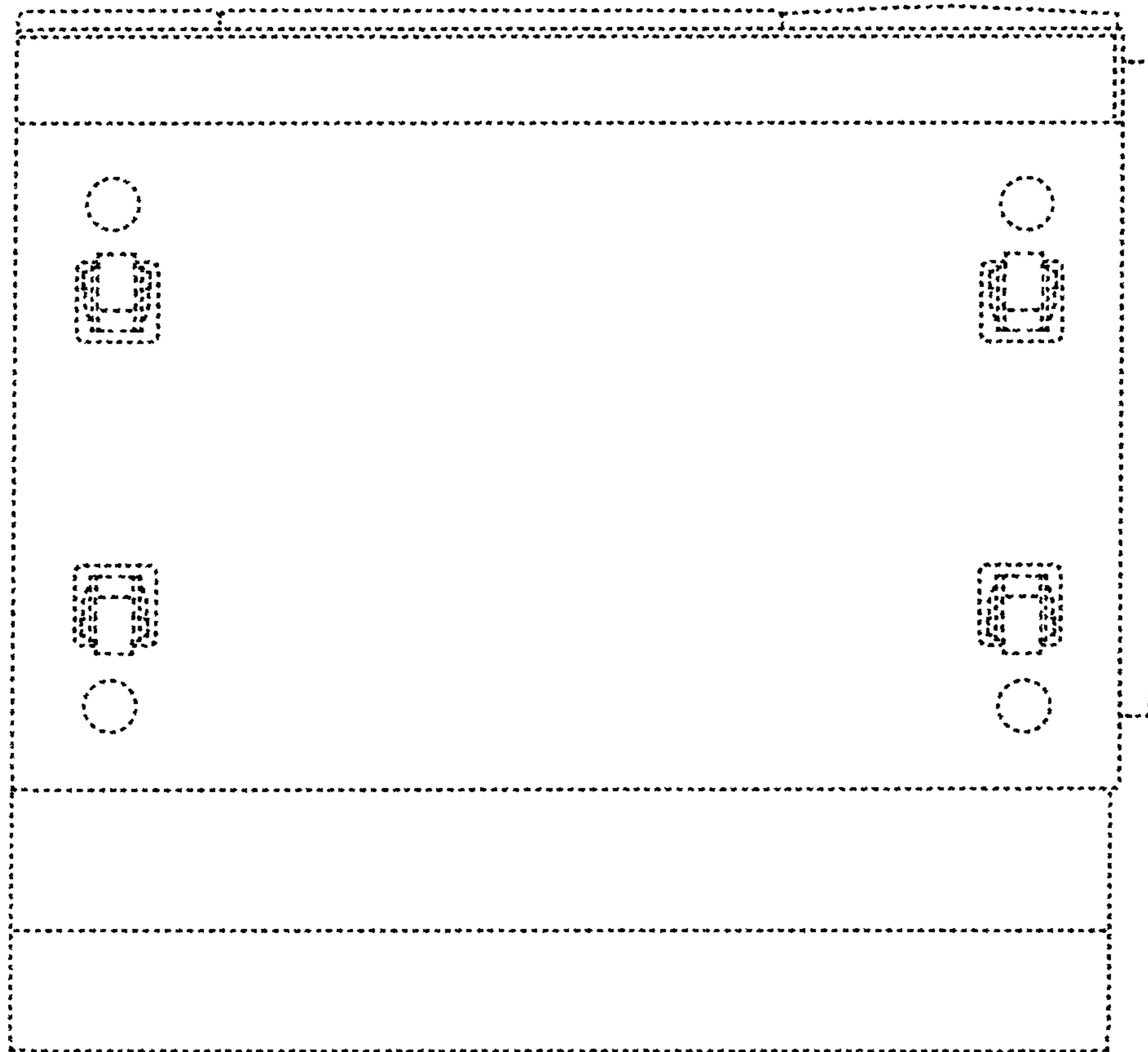


FIG. 7

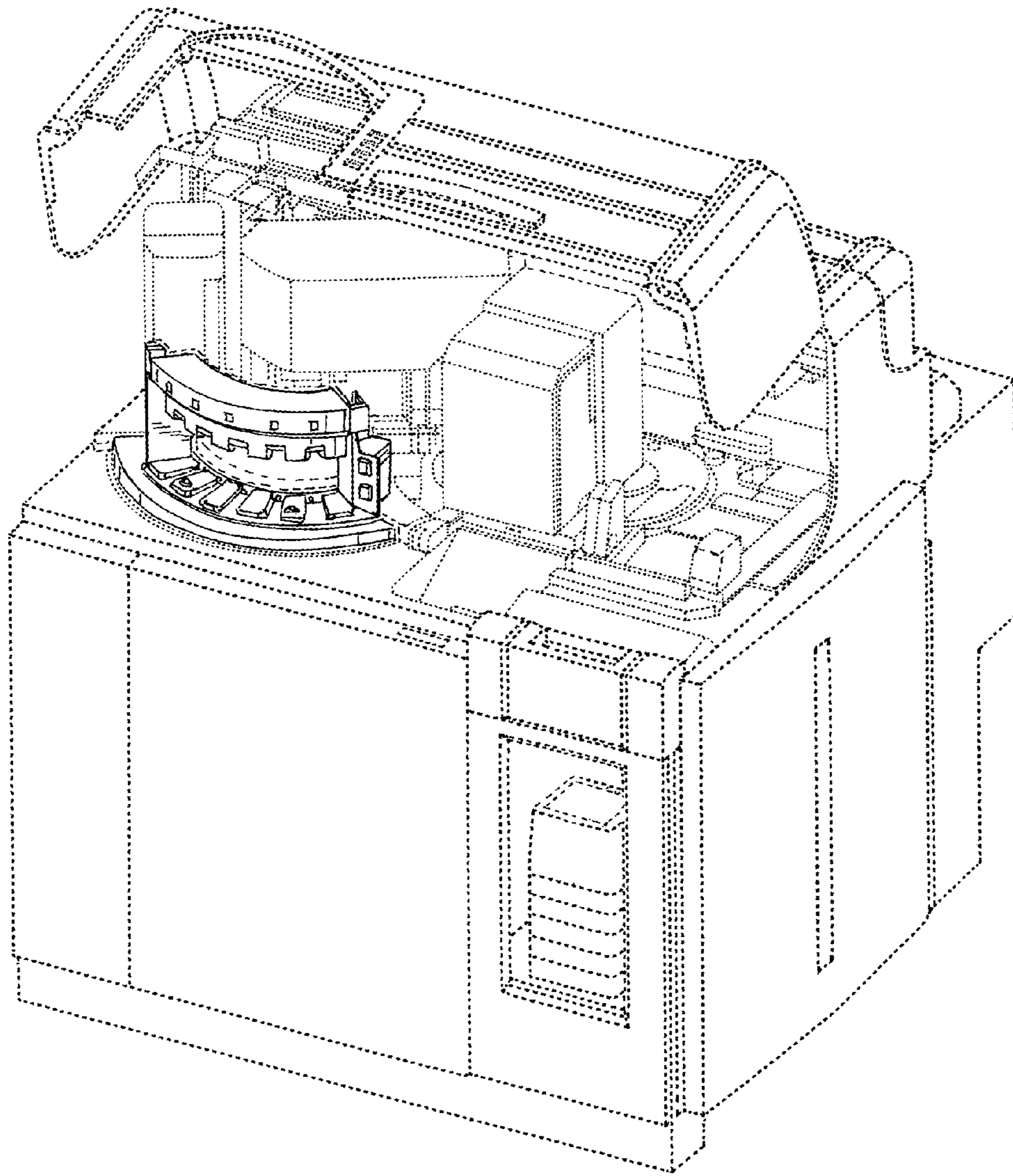


FIG. 8

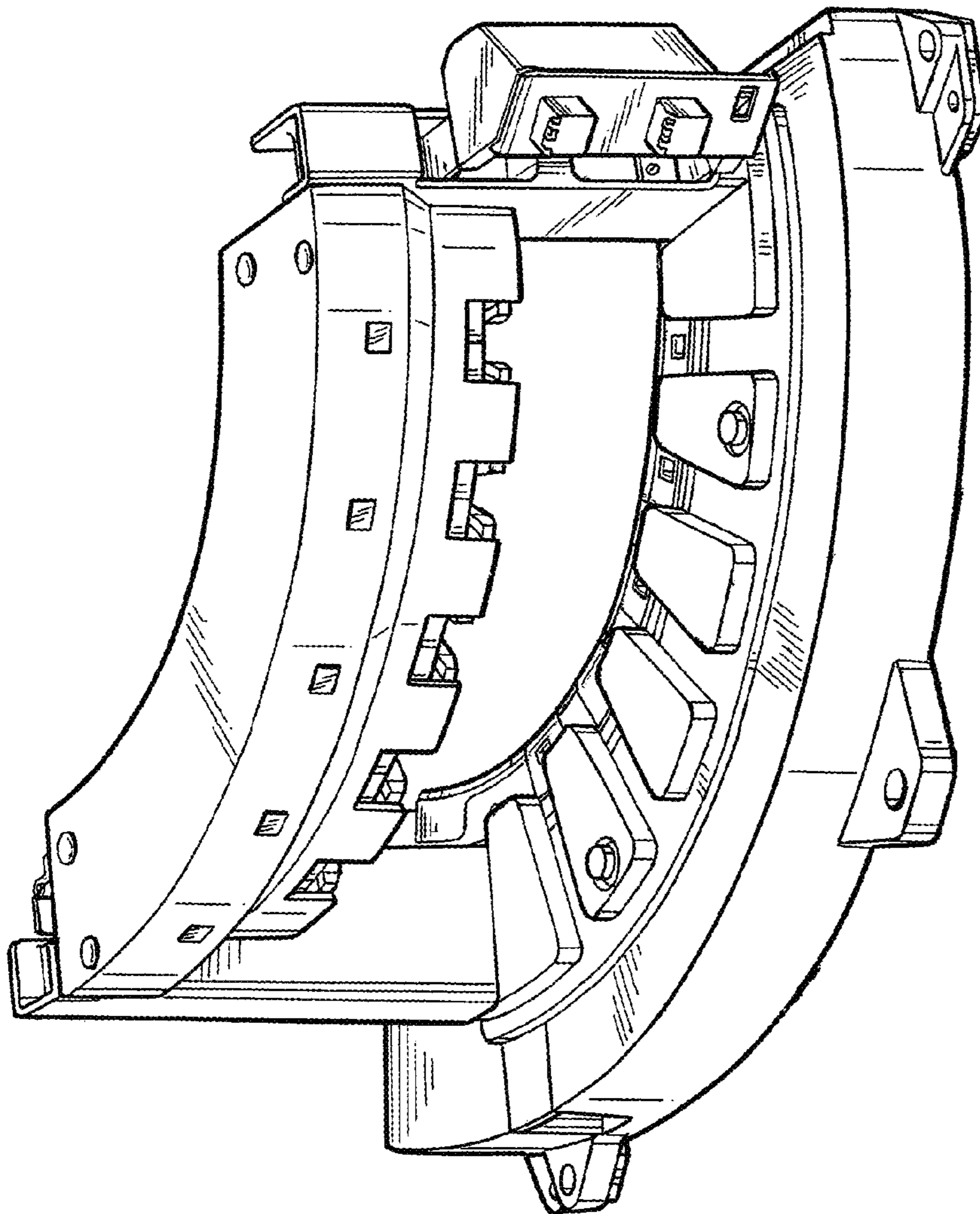


FIG. 9

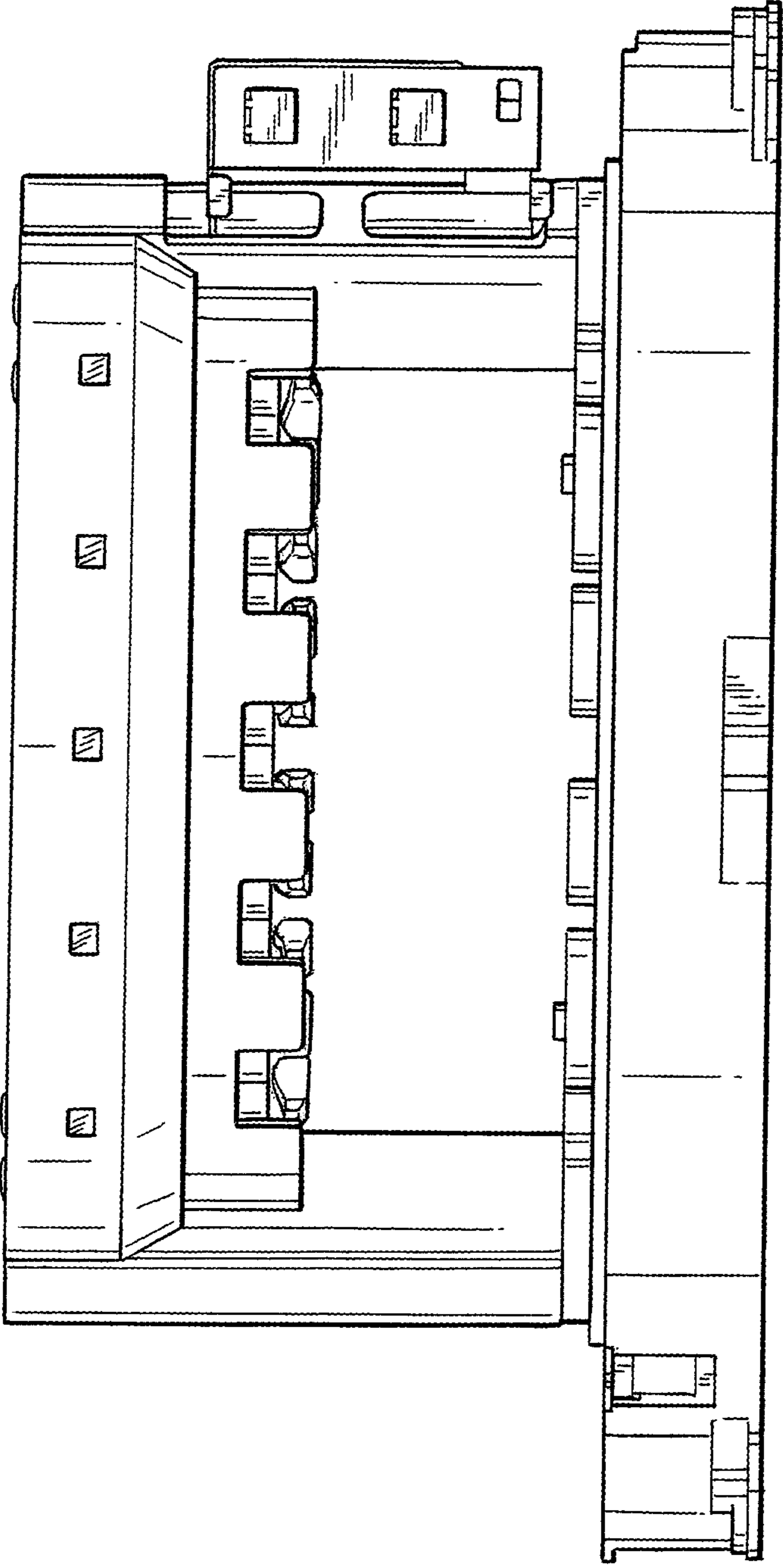


FIG. 10

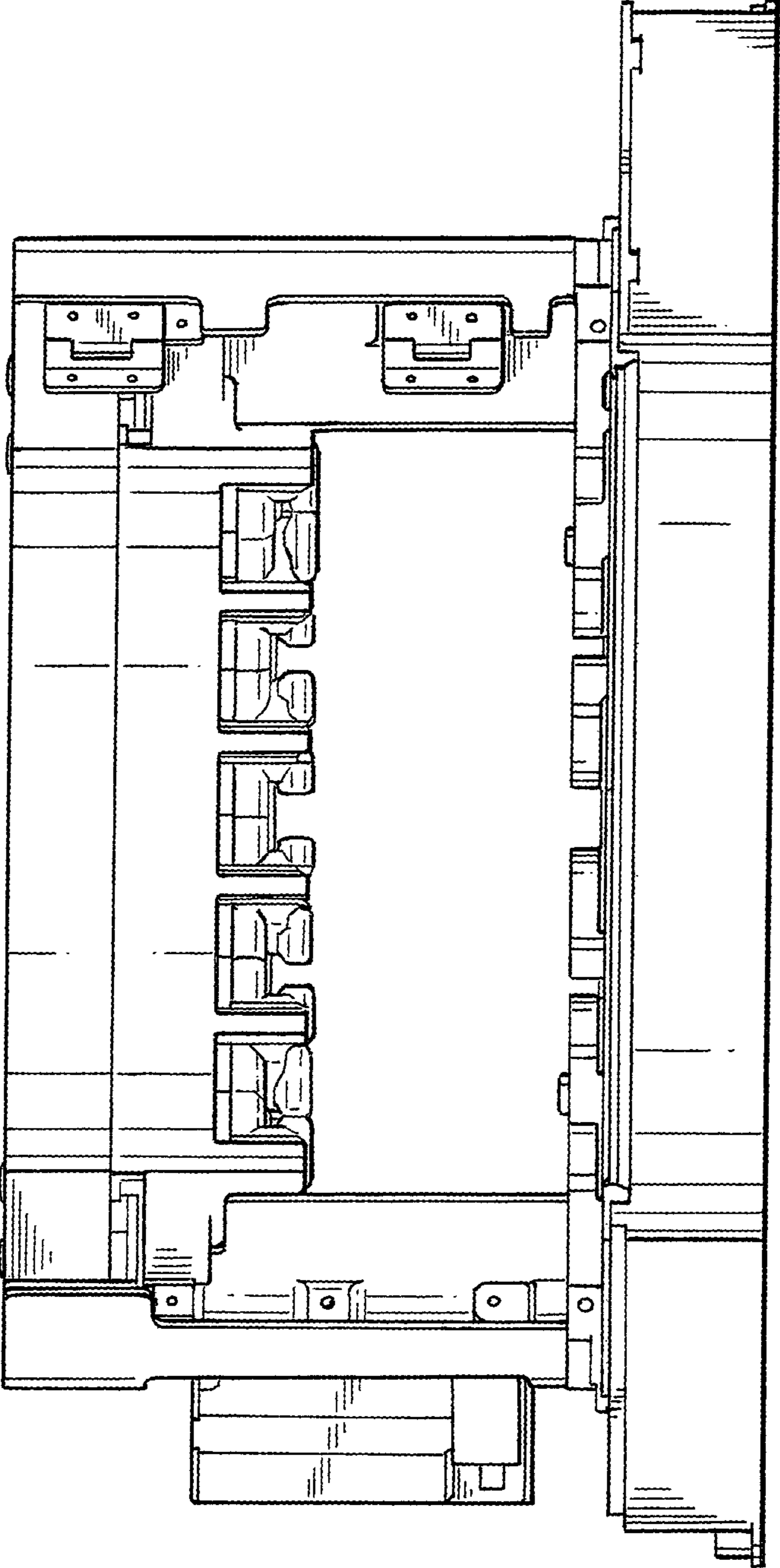


FIG. 11

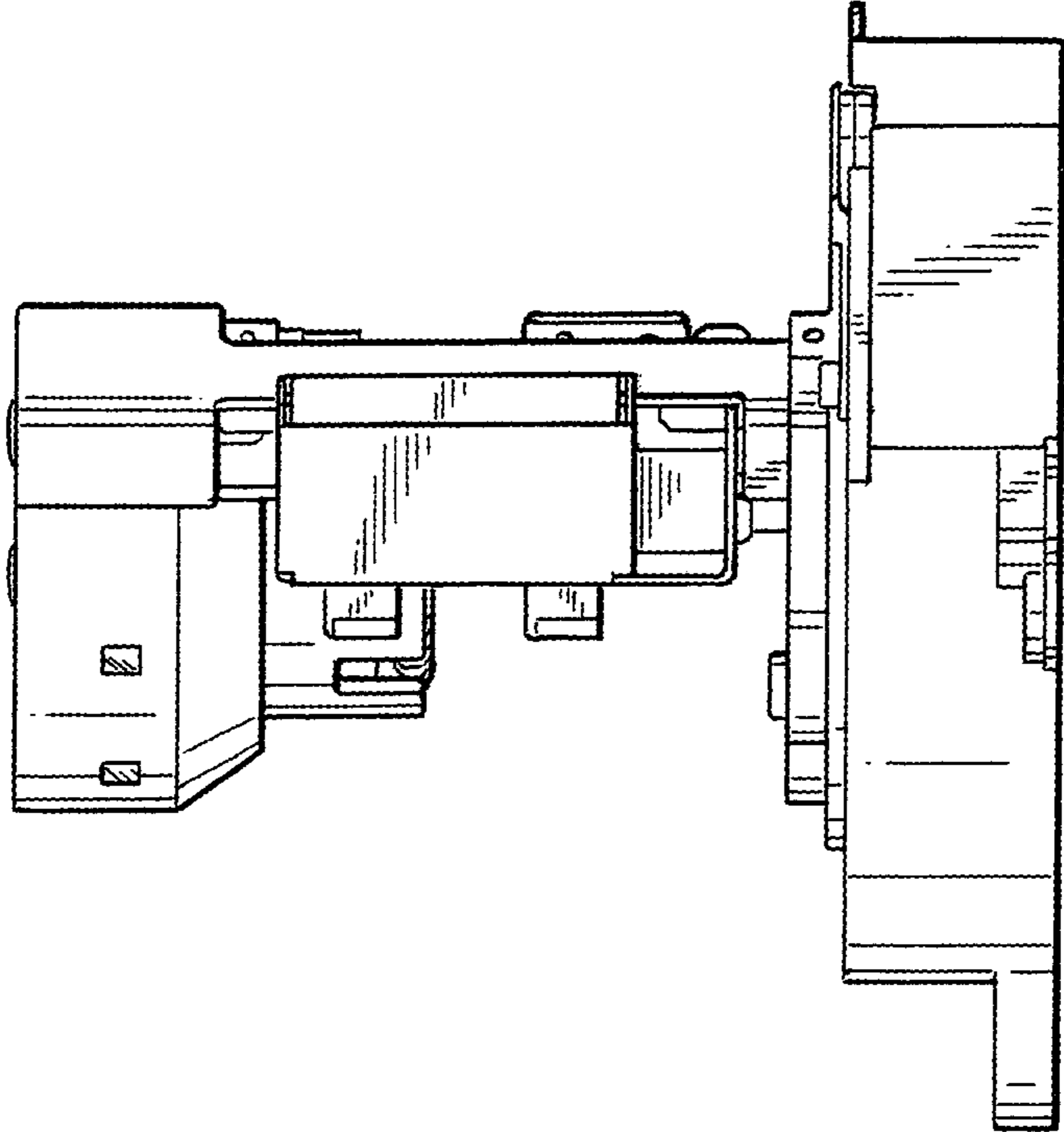


FIG. 13

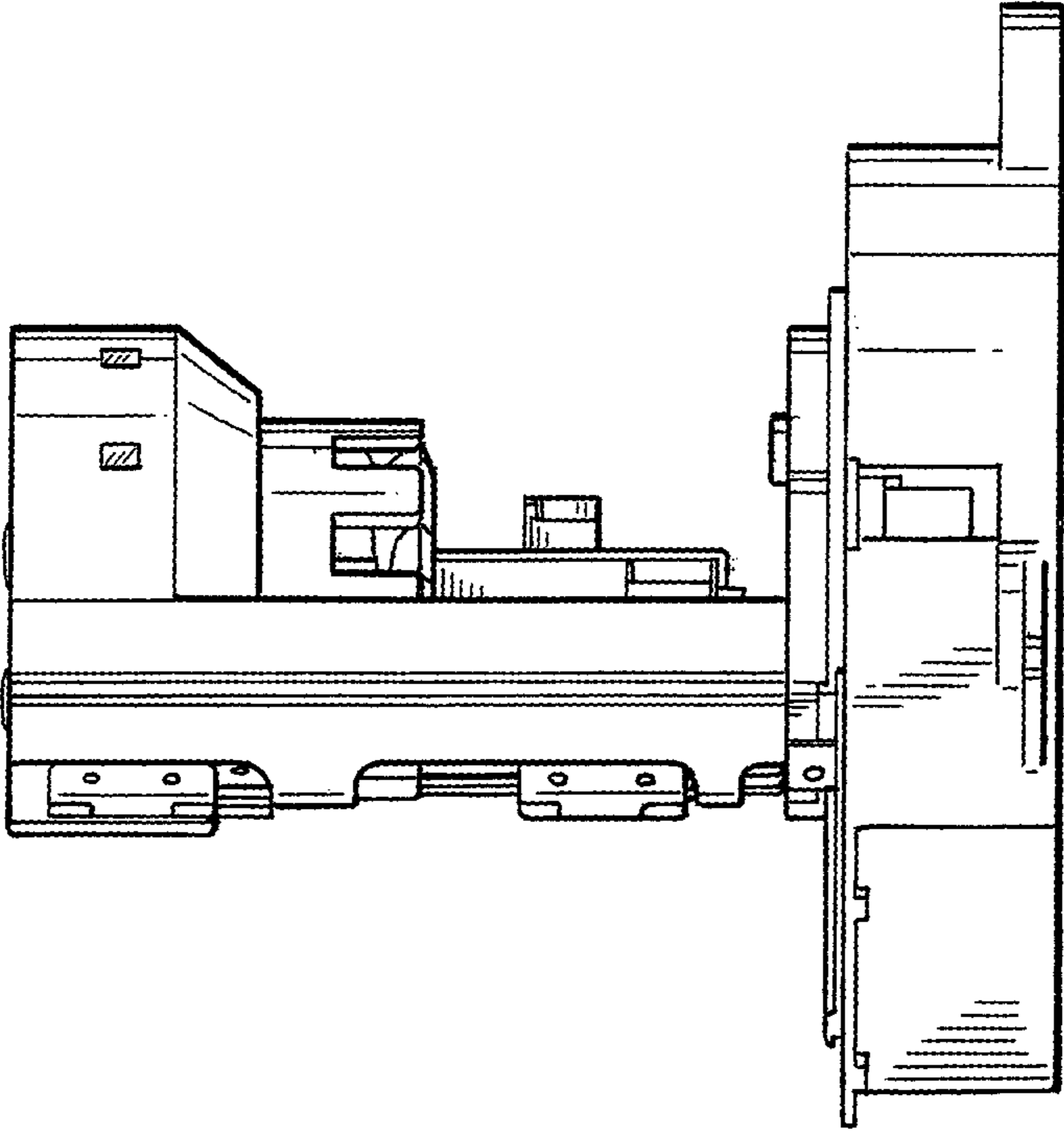


FIG. 12

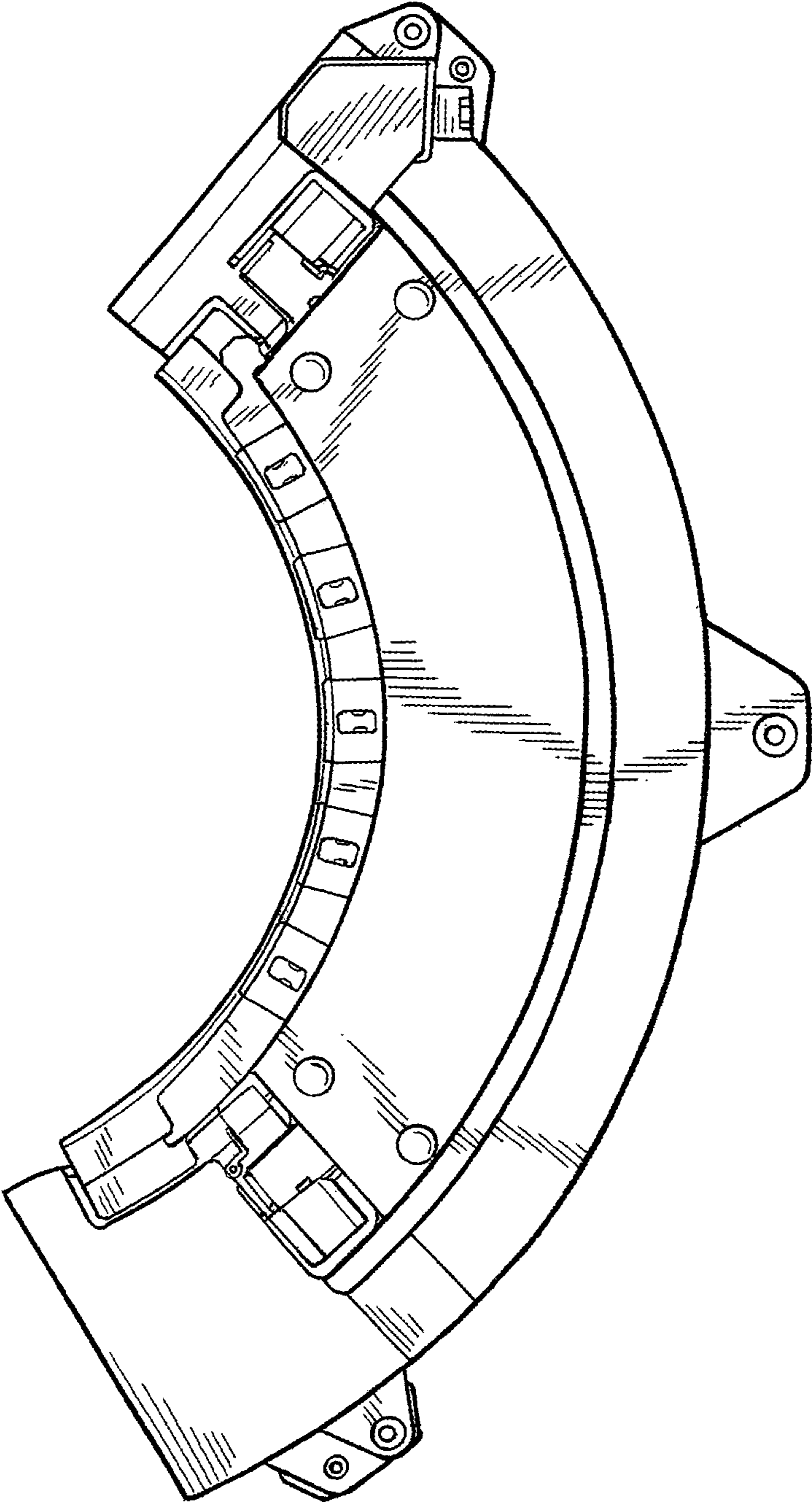


FIG. 14

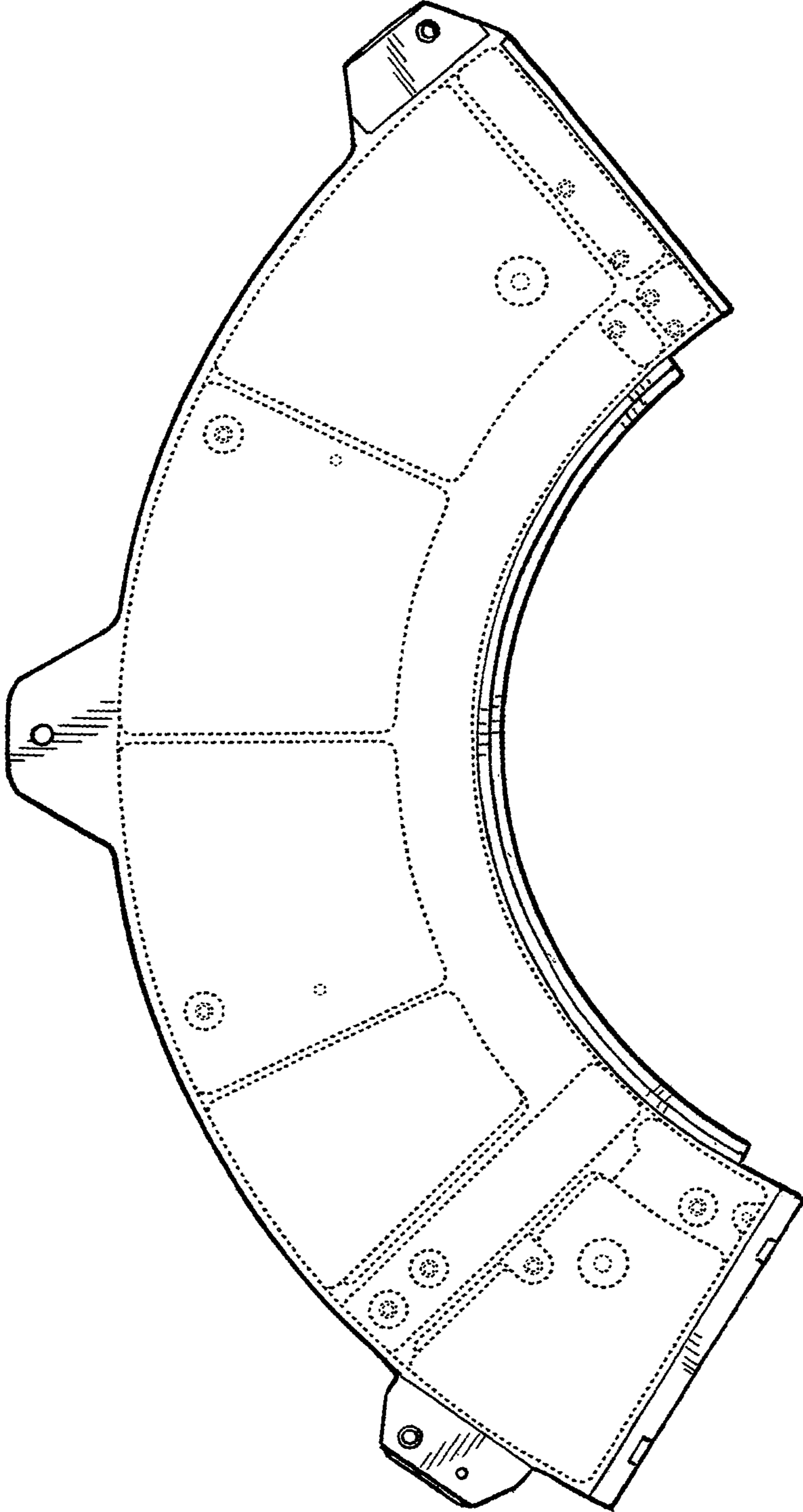


FIG. 15