



US00D751723S

(12) **United States Design Patent**
Le et al.

(10) **Patent No.:** **US D751,723 S**
(45) **Date of Patent:** **** Mar. 15, 2016**

(54) **FOOT SPA**

(71) Applicants: **Kevin Le**, Richland Hills, TX (US);
Thanh Le, Grand Prairie, TX (US)

(72) Inventors: **Kevin Le**, Richland Hills, TX (US);
Thanh Le, Grand Prairie, TX (US)

(73) Assignee: **Luraco Technologies, Inc.**, Arlington,
TX (US)

(**) Term: **14 Years**

(21) Appl. No.: **29/456,874**

(22) Filed: **Jun. 4, 2013**

(51) **LOC (10) Cl.** **24-01**

(52) **U.S. Cl.**
USPC **D24/201**

(58) **Field of Classification Search**
USPC D24/200–205, 211–213; D25/2; 601/6,
601/15, 64, 157–158, 30–32; 4/622, 574.1,
4/541.1; D23/276–278

See application file for complete search history.

(56) **References Cited**

U.S. PATENT DOCUMENTS

D450,390 S *	11/2001	Tran	D24/213
D627,075 S *	11/2010	Galati et al.	D24/204
D701,968 S *	4/2014	Le et al.	D24/204
D701,969 S *	4/2014	Le et al.	D24/204
D701,970 S *	4/2014	Le et al.	D24/204
8,726,430 B2 *	5/2014	Tran et al.	4/622
D707,836 S *	6/2014	Long	D24/204

D718,411 S *	11/2014	Tran	D23/204
2009/0100590 A1 *	4/2009	Galati et al.	4/541.2
2011/0010844 A1 *	1/2011	Ton	4/622

* cited by examiner

Primary Examiner — Ian Simmons

Assistant Examiner — Samantha Q Lawrence

(74) *Attorney, Agent, or Firm* — Hoang Steve Ngo

(57) **CLAIM**

The ornamental design for a foot spa, as shown and described.

DESCRIPTION

FIG. 1 is a perspective, rear view of a foot spa showing my new design;

FIG. 2 is a perspective, front view thereof;

FIG. 3 is a perspective, right side view thereof;

FIG. 4 is a perspective, left side view thereof;

FIG. 5 is a perspective, rear and right side view thereof;

FIG. 6 is a perspective, rear and left side view thereof;

FIG. 7 is a perspective, rear, left-side view thereof shown in an environment of use;

FIG. 8 is a perspective, rear, right-side view thereof shown in an environment of use;

FIG. 9 is a rear view thereof;

FIG. 10 is a front view thereof;

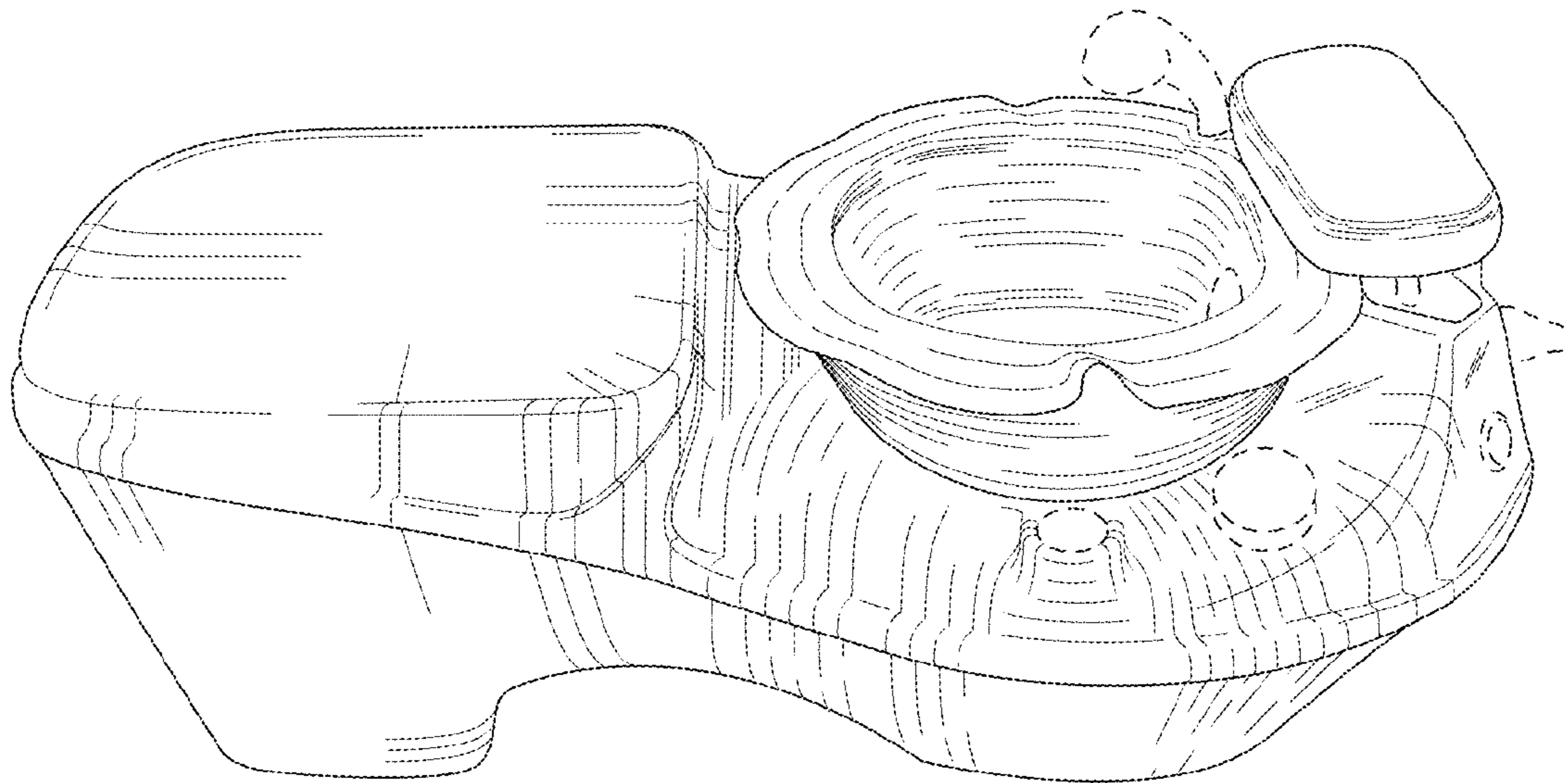
FIG. 11 is a right side view thereof;

FIG. 12 is a left side view thereof; and,

FIG. 13 is a top view thereof.

The broken lines in FIGS. 1-13 illustrate portions of the foot spa that form no part of the claimed design. The additional broken lines in FIGS. 7 and 8 illustrate environmental subject matter and form no part of the claimed design.

1 Claim, 9 Drawing Sheets



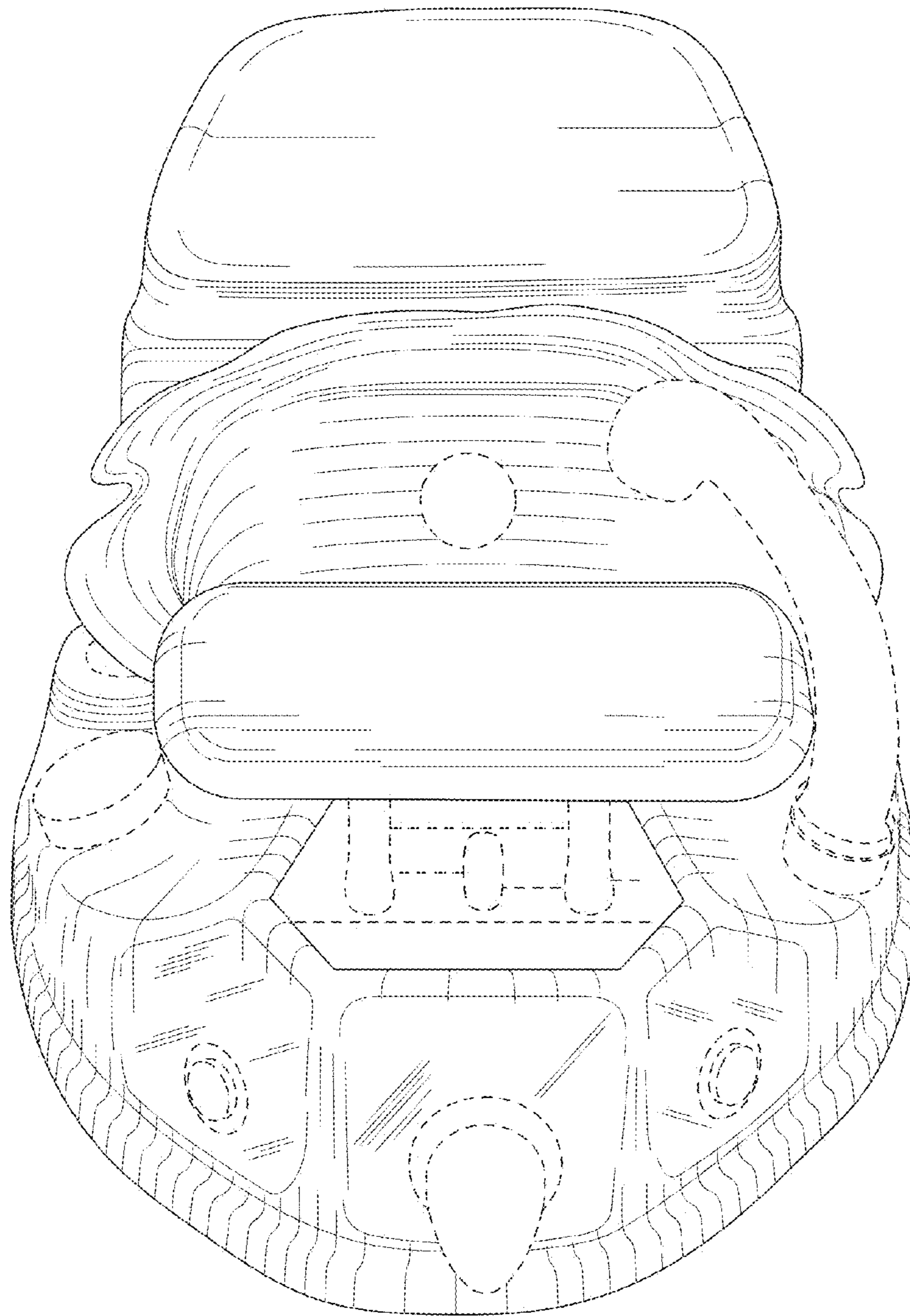


FIG. 1

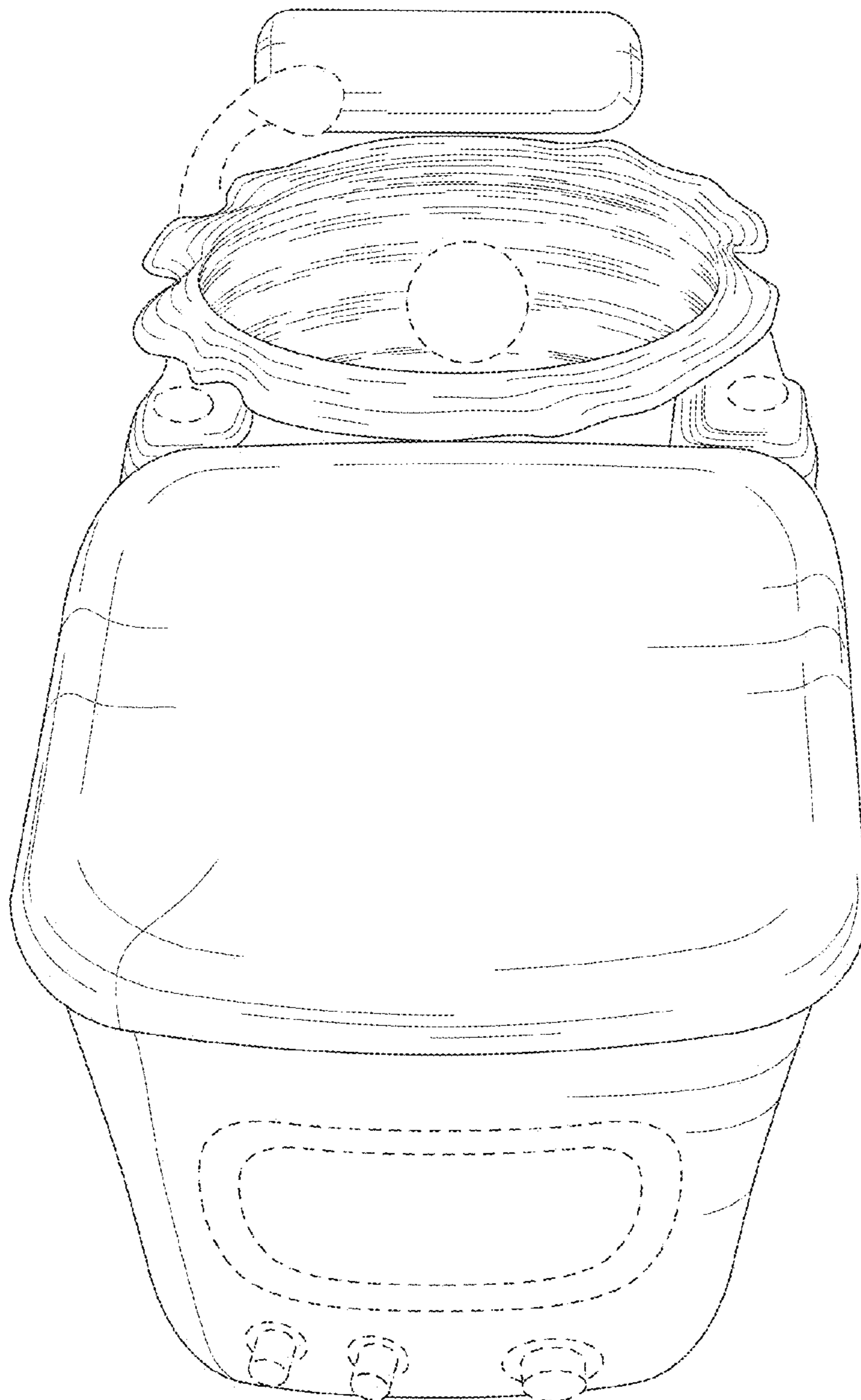


FIG. 2

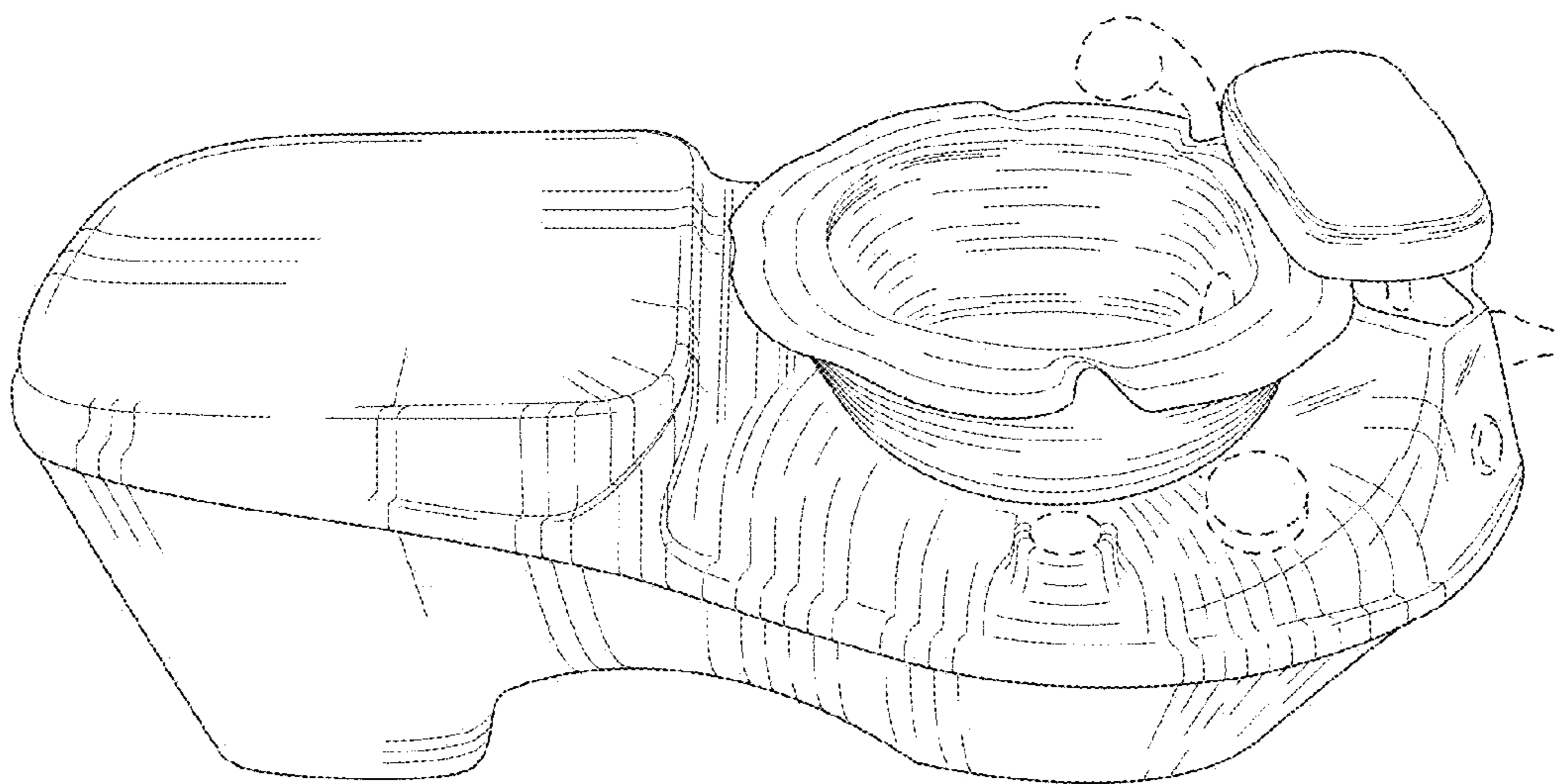


FIG. 3

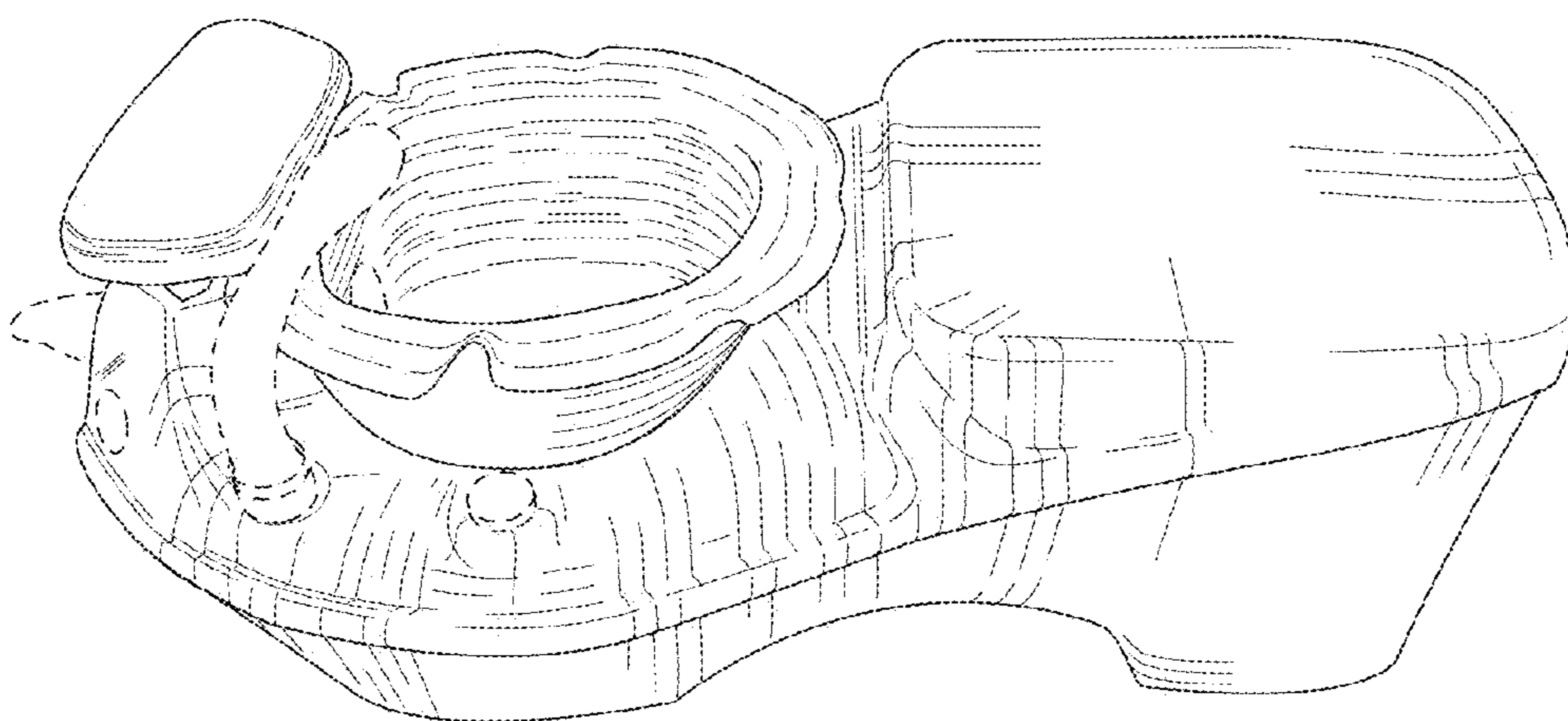


FIG. 4

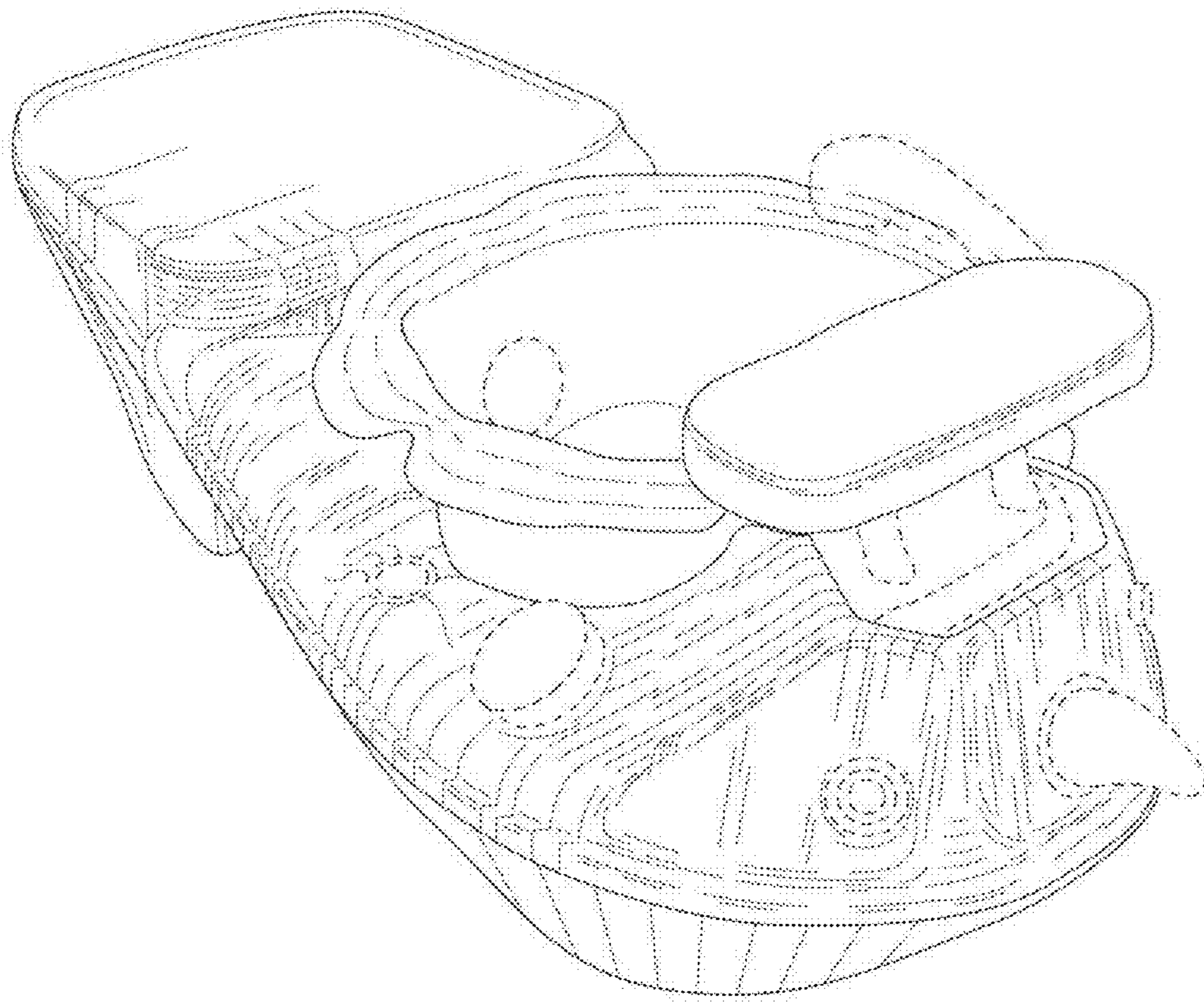


FIG 5

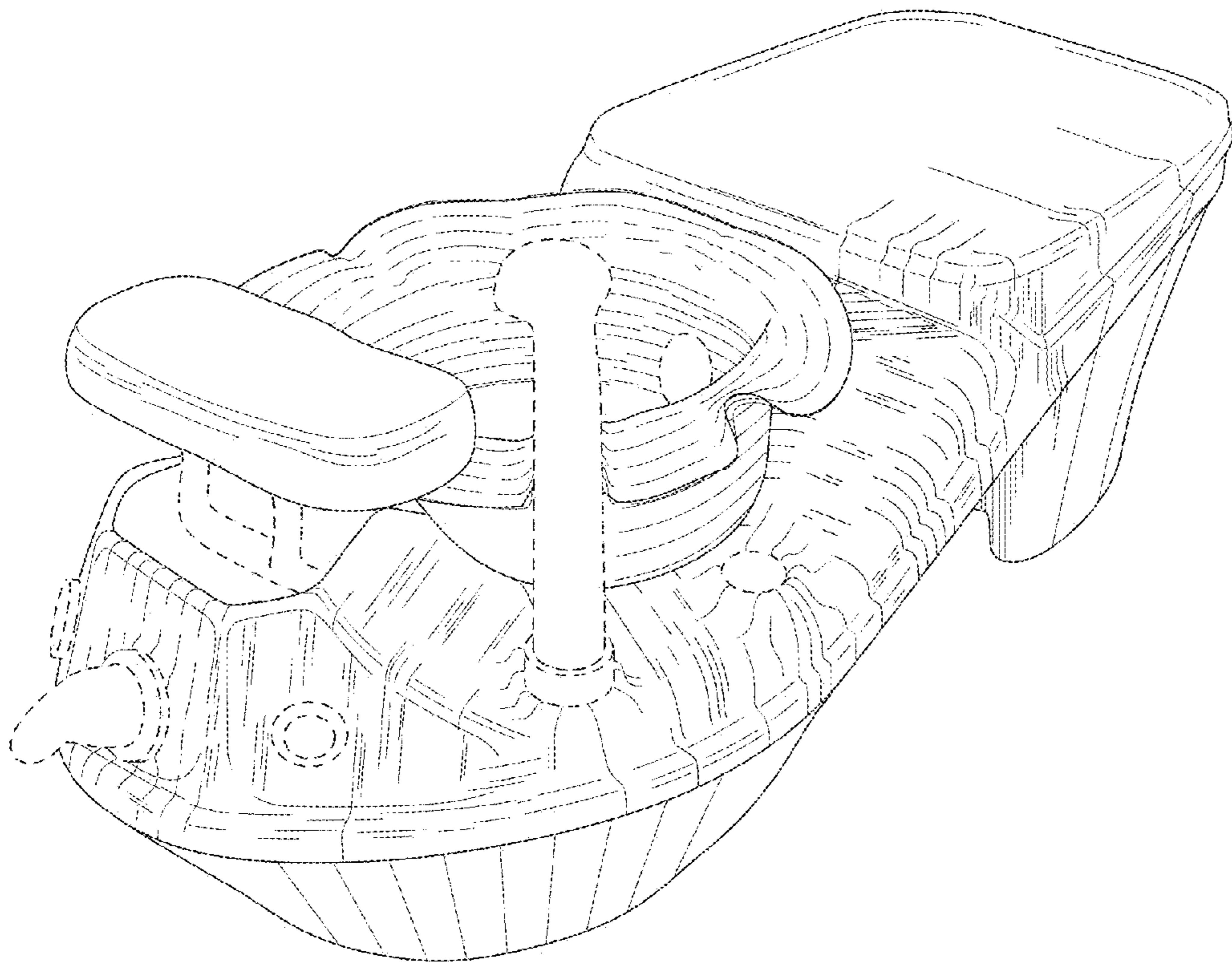
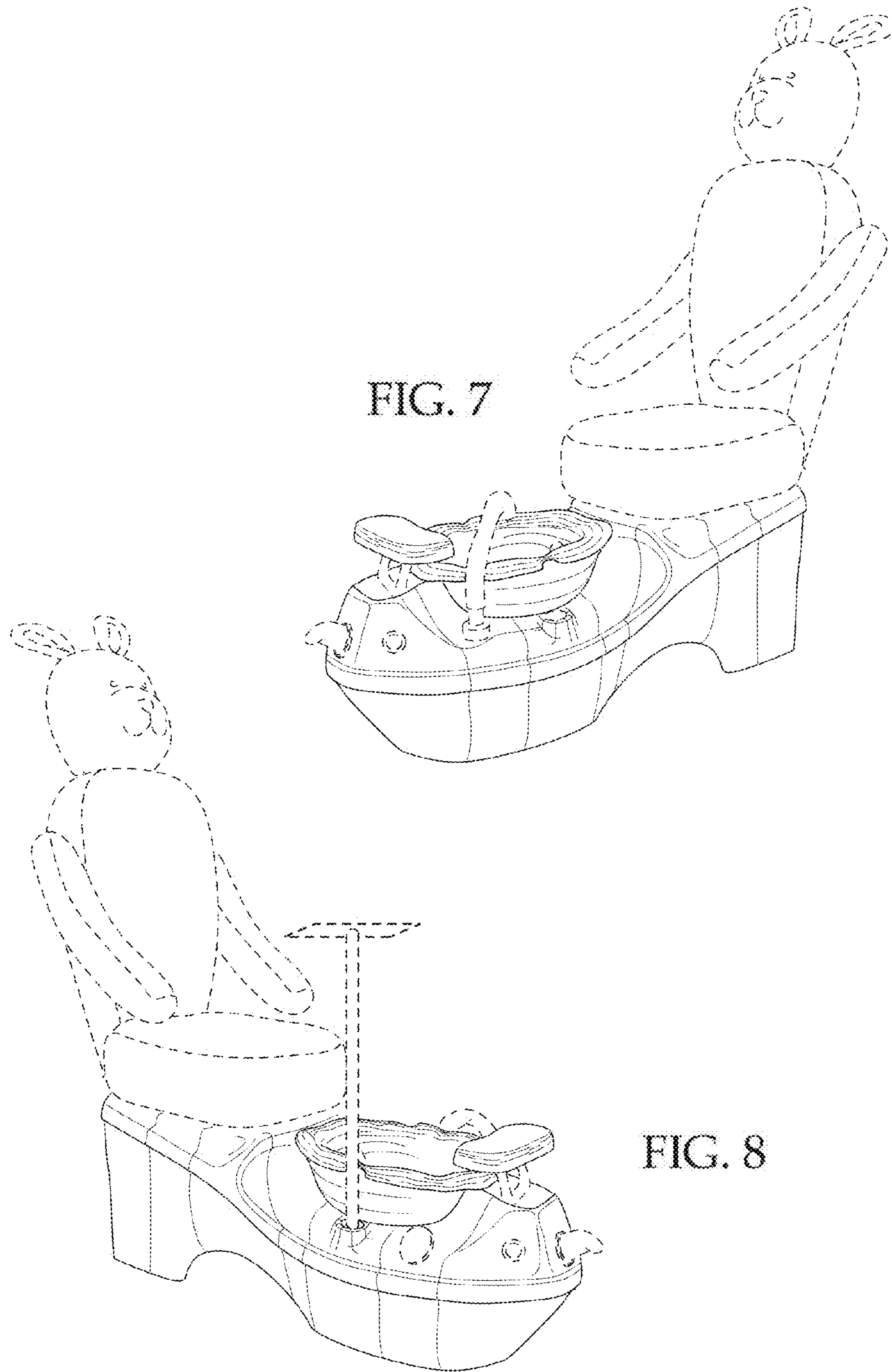


FIG. 6



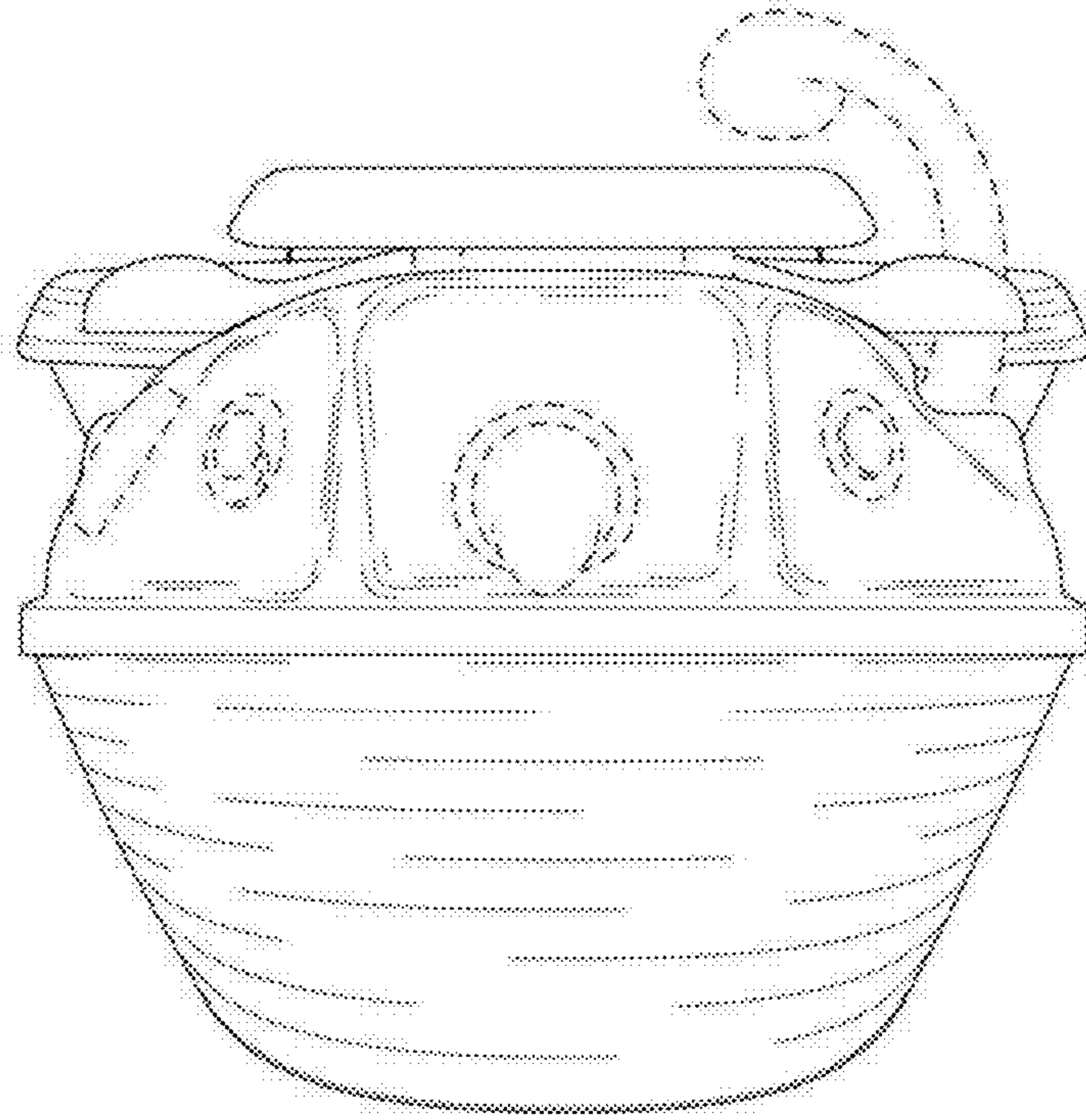


FIG. 9

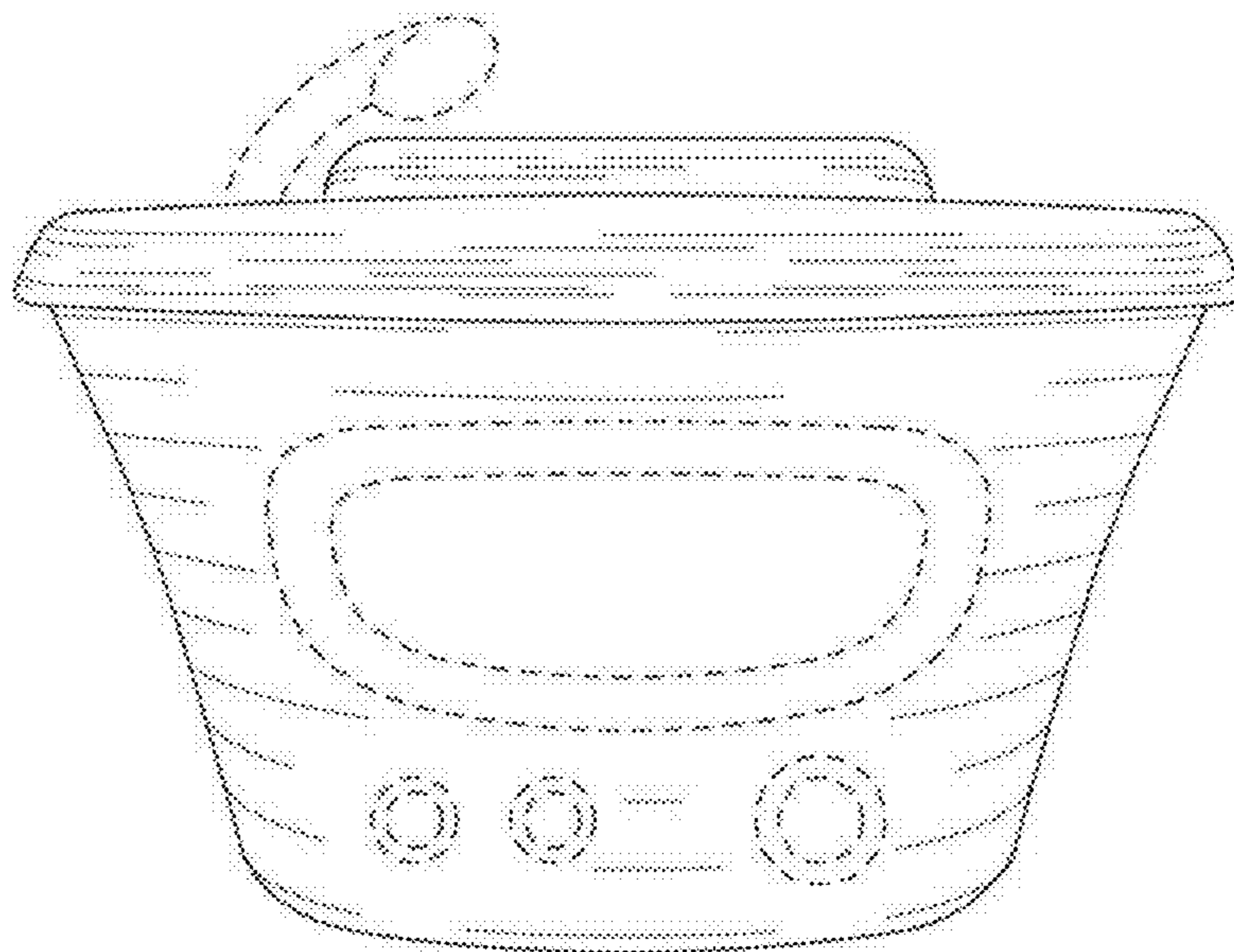


FIG. 10

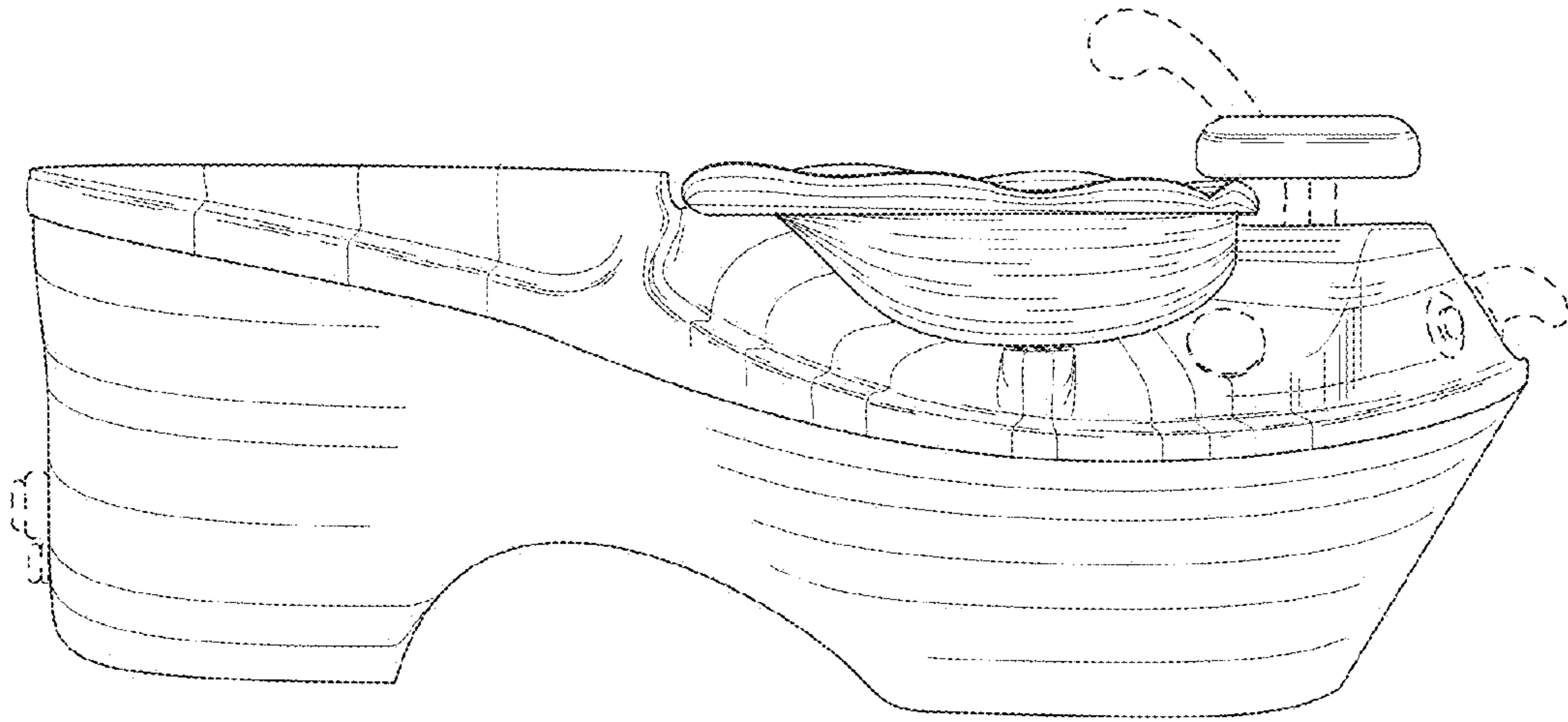


FIG. 11

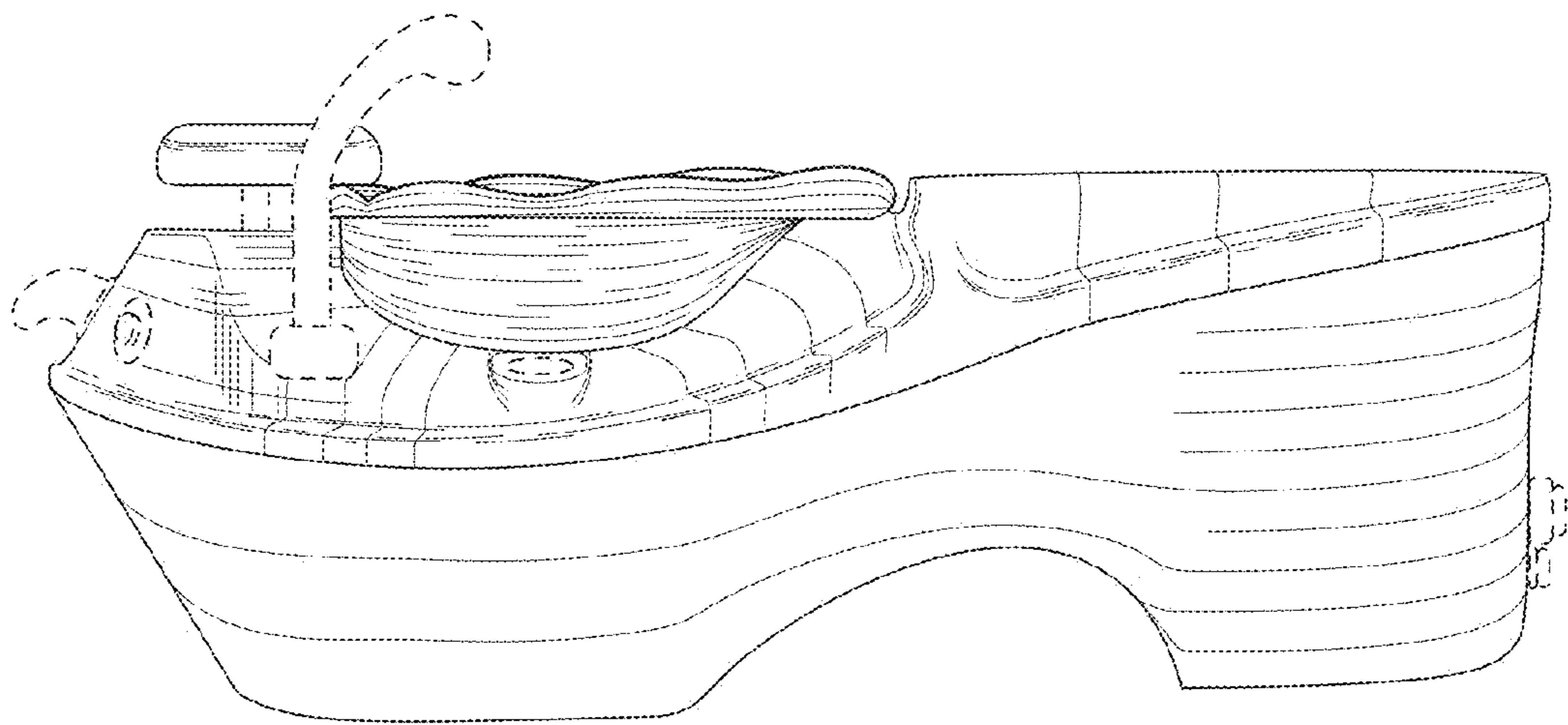


FIG. 12

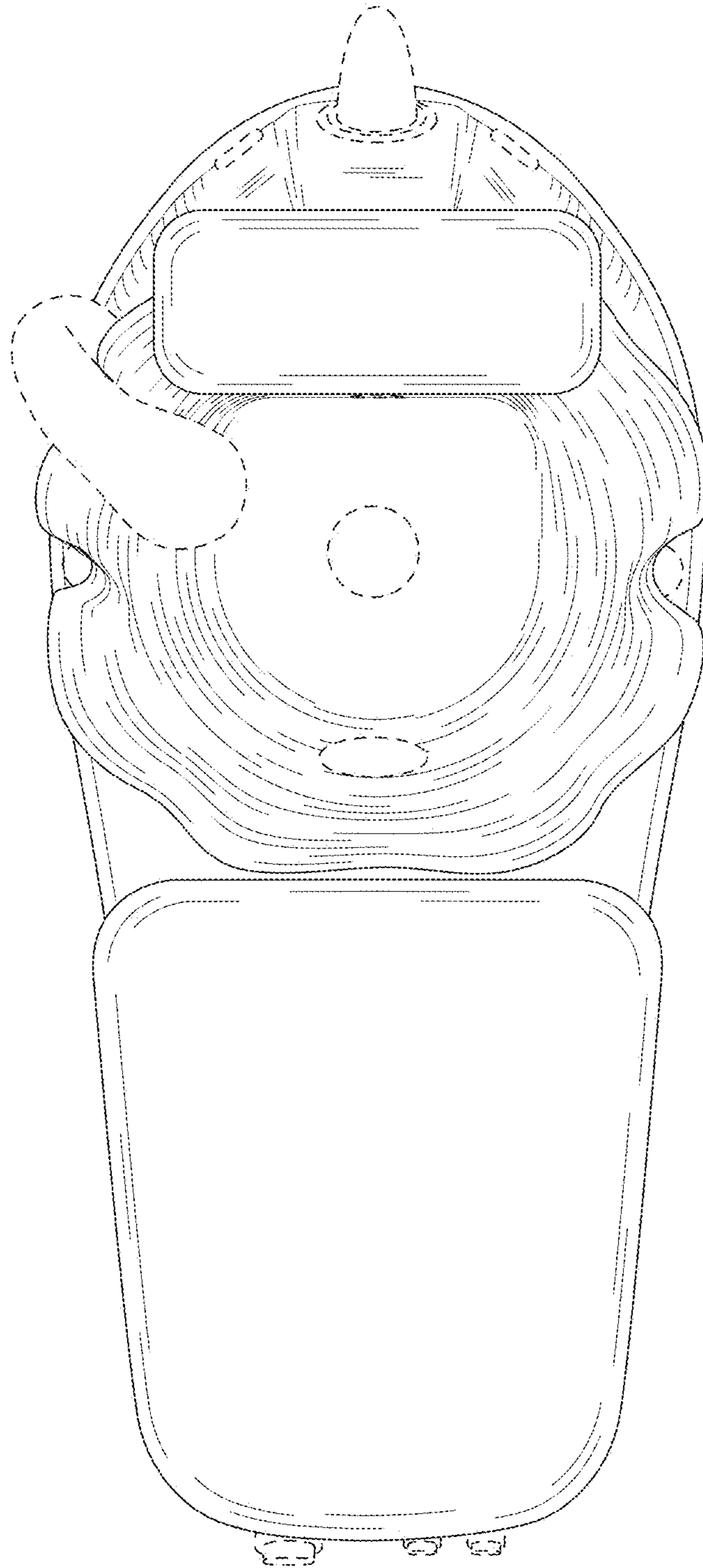


FIG. 13