



US00D751718S

(12) **United States Design Patent**
Liu

(10) **Patent No.:** **US D751,718 S**
(45) **Date of Patent:** **** Mar. 15, 2016**

(54) **DEVICE FOR MONITORING THE
MOVEMENT OF EYEBALL**

(71) Applicant: **Zhiyong Liu**, Beijing (CN)
(72) Inventor: **Zhiyong Liu**, Beijing (CN)
(73) Assignee: **BEIJING ISEN TECH & TRADING
CO., LTD**, Beijing (CN)

(**) Term: **14 Years**

(21) Appl. No.: **29/458,733**

(22) Filed: **Jun. 21, 2013**

(51) **LOC (10) Cl.** **24-01**

(52) **U.S. Cl.**
USPC **D24/186**

(58) **Field of Classification Search**
USPC D24/167, 186; D11/3; D10/30-39, 65,
D10/70, 78, 97, 98, 103; D13/173-177;
D14/203.5, 247, 338-340, 344, 346,
D14/347; D16/311, 312, 133
CPC G08G 1/096883; G08G 1/096872;
G08G 1/096775; G01C 21/16; G01C 21/3688;
G01C 21/30; G01V 8/20; G01J 5/023; G01J
5/24

See application file for complete search history.

(56) **References Cited**

U.S. PATENT DOCUMENTS

D250,341	S	*	11/1978	McClure	D16/133
D362,257	S	*	9/1995	Palmer	D16/133
D371,566	S	*	7/1996	Kolada	D16/311
D380,223	S	*	6/1997	Palmer	D16/133
D431,585	S	*	10/2000	Vance	D16/300
D518,498	S	*	4/2006	Reed	D16/132
D542,326	S	*	5/2007	Chiang	D16/311
D581,964	S	*	12/2008	Hooper	D16/311
2015/0260986	A1	*	9/2015	Nortrup	G02B 27/0093 345/633

* cited by examiner

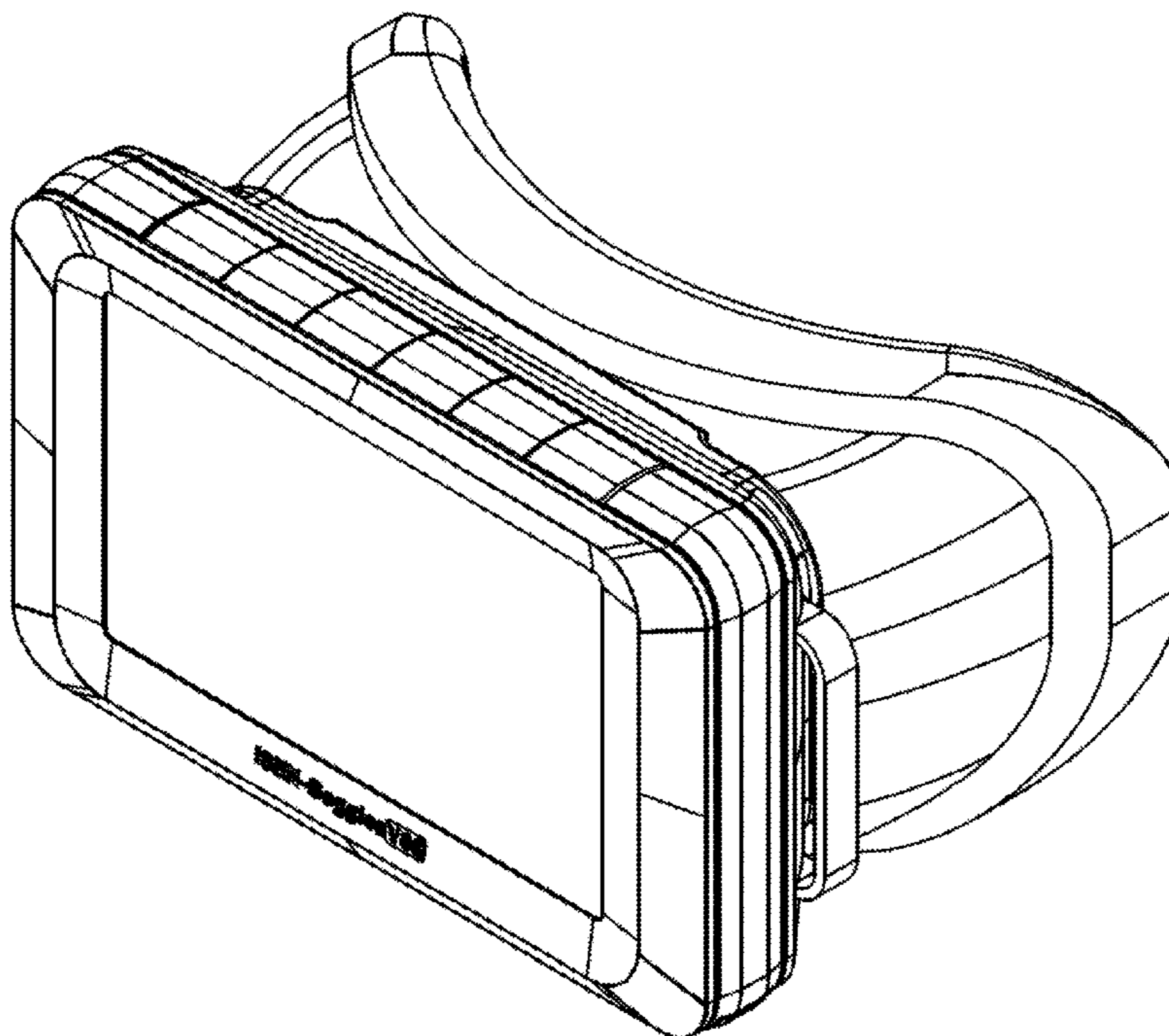
Primary Examiner — Zenia Bennett
(74) *Attorney, Agent, or Firm* — CBM Patent Consulting, LLC

(57) **CLAIM**
The ornamental design for a device for monitoring the movement of eyeball, as shown and described.

DESCRIPTION

FIG. 1 is a perspective front view of a device for monitoring the movement of eyeball;
FIG. 2 is a front view thereof;
FIG. 3 is a rear view thereof;
FIG. 4 is a perspective rear view thereof;
FIG. 5 is a rear view thereof;
FIG. 6 is a top view thereof;
FIG. 7 is a left view thereof; and,
FIG. 8 is a right view thereof.

1 Claim, 8 Drawing Sheets



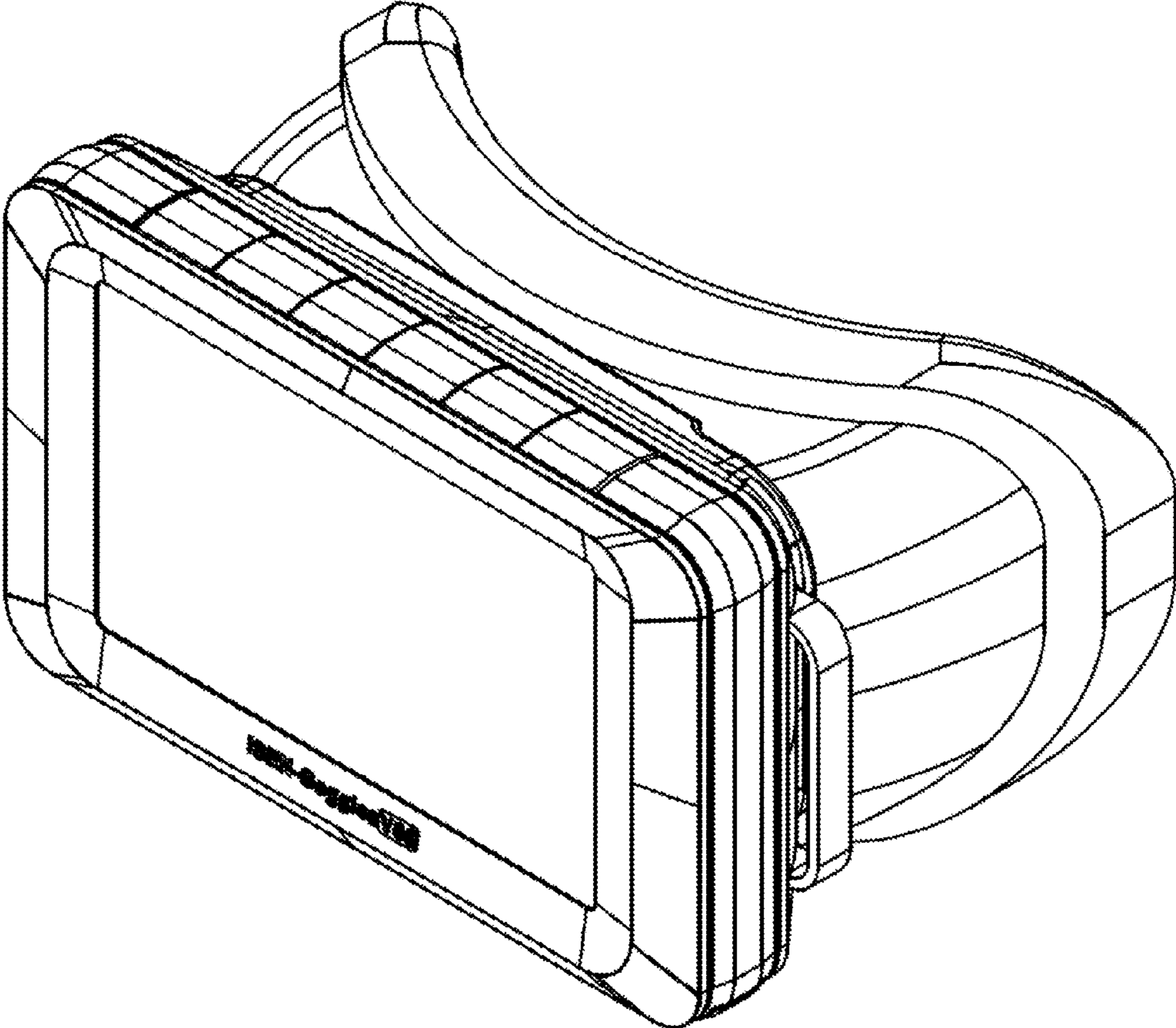


FIG. 1

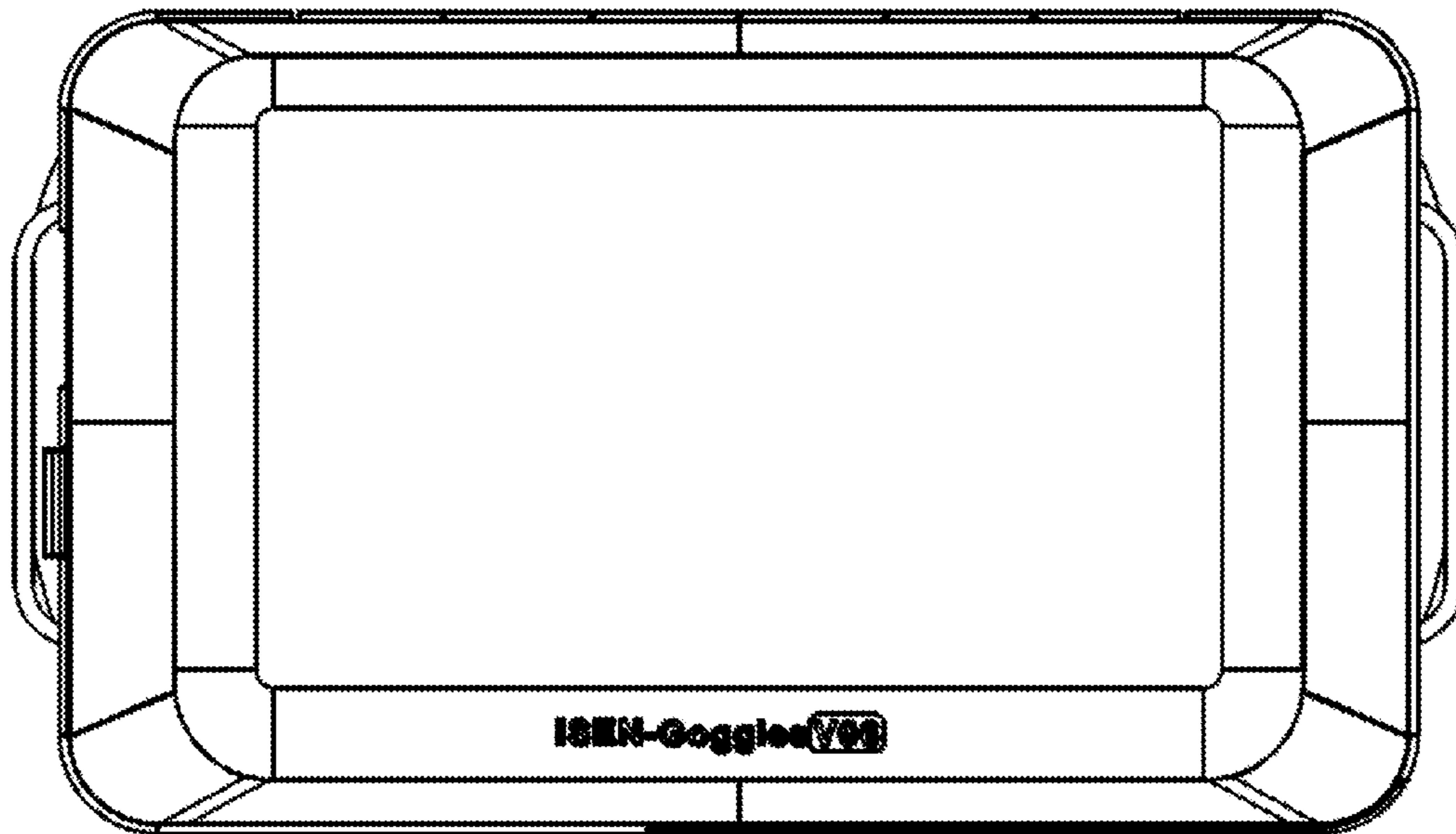


FIG. 2

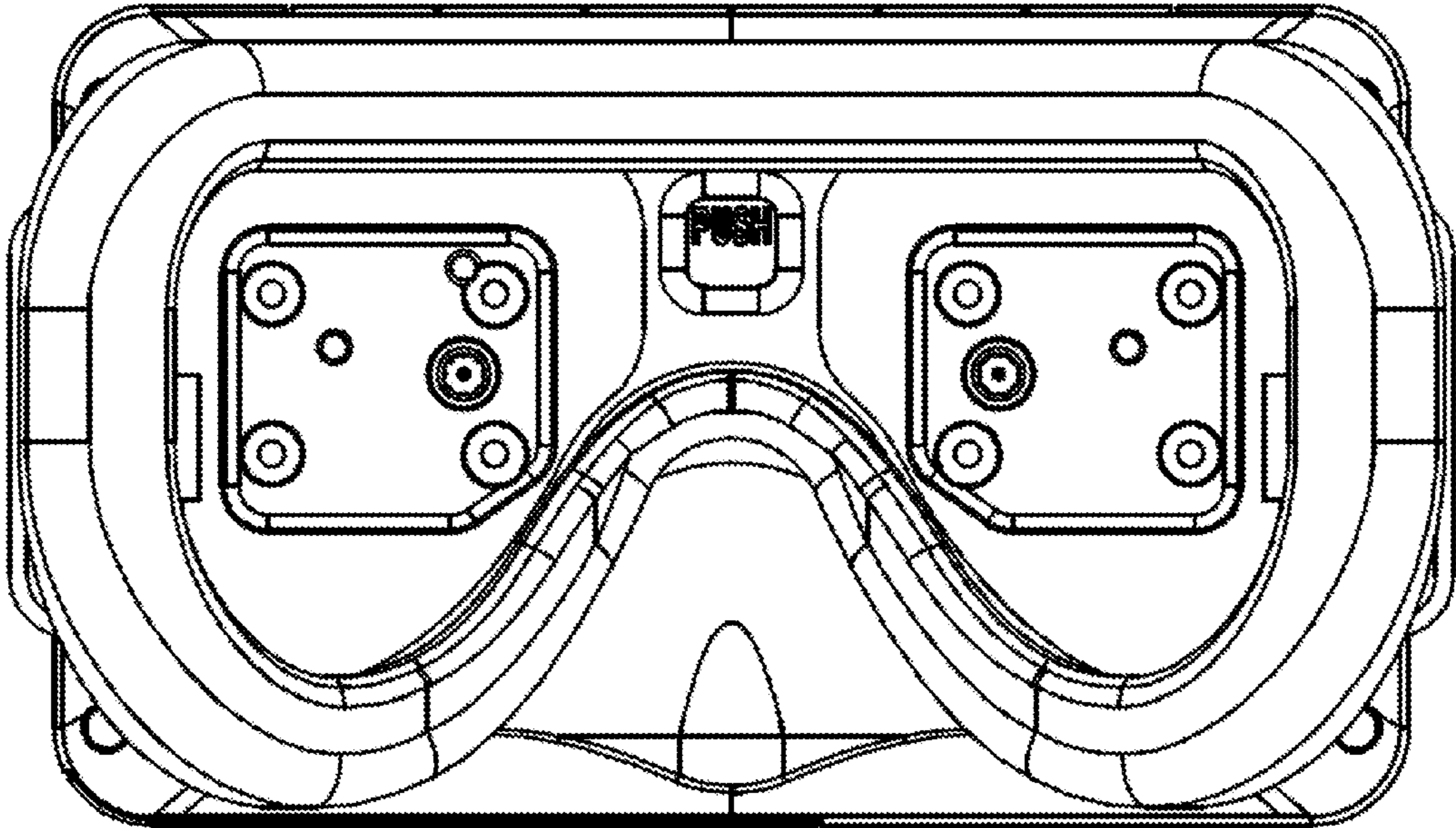


FIG. 3

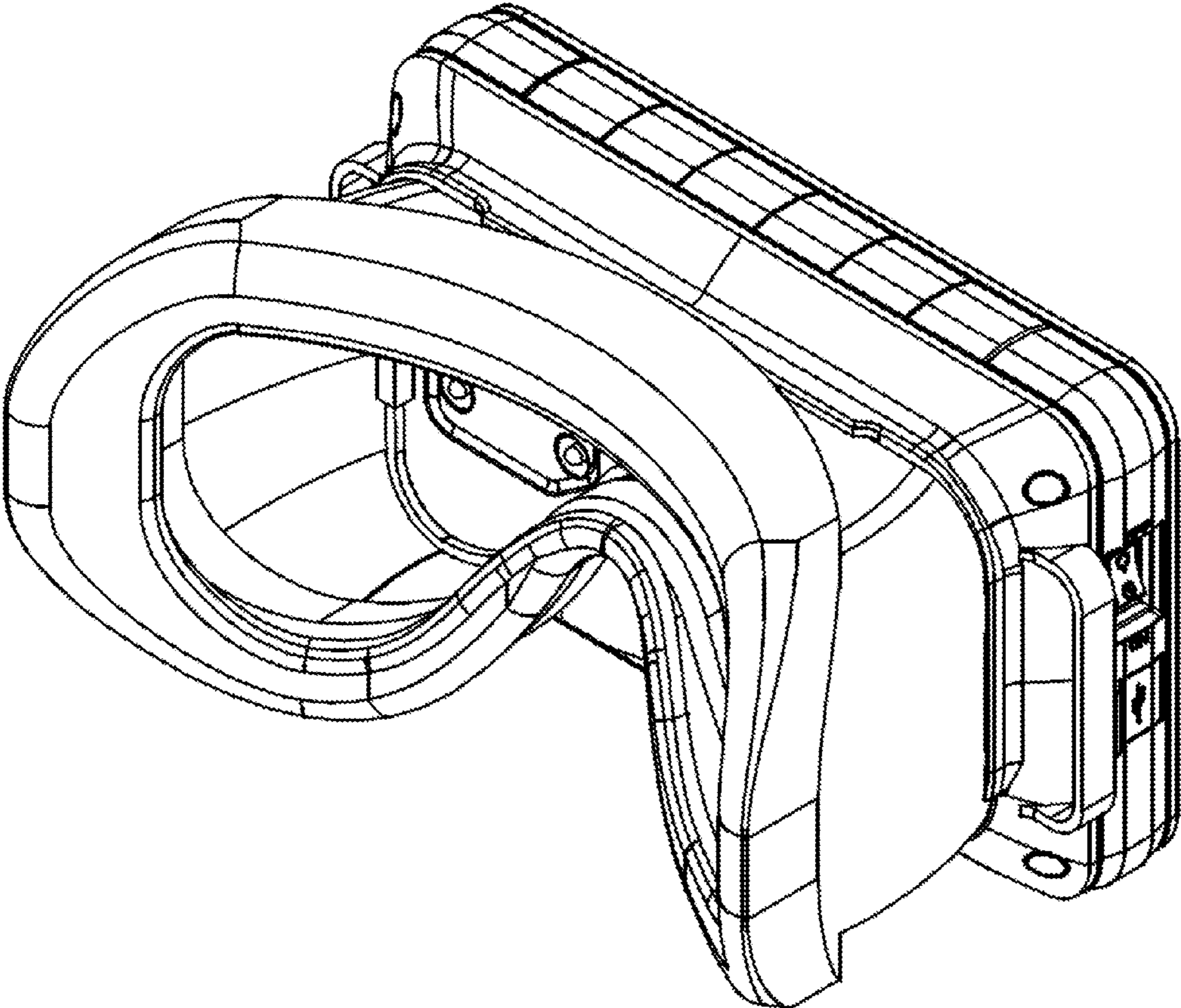


FIG. 4

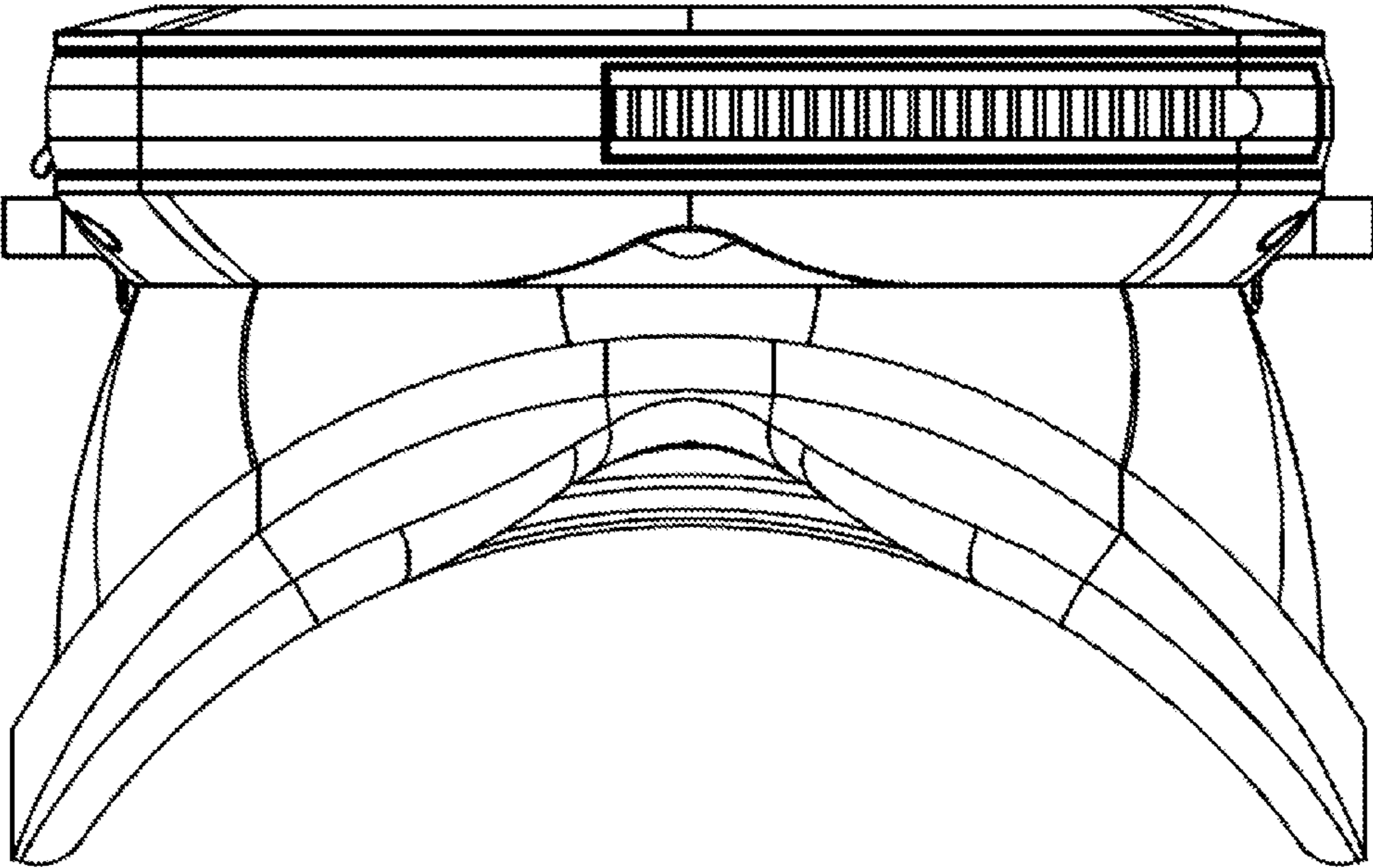


FIG. 5

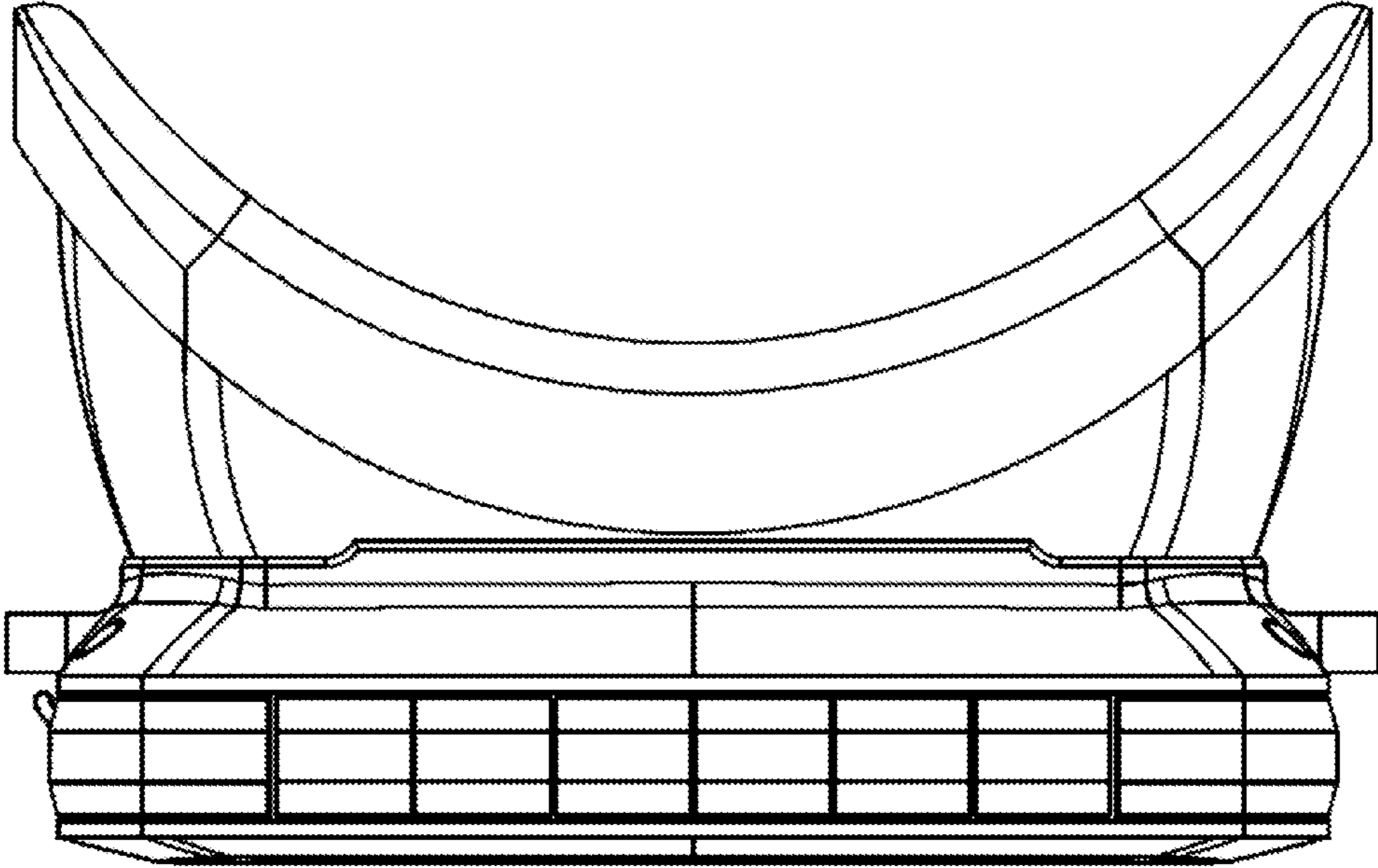


FIG. 6

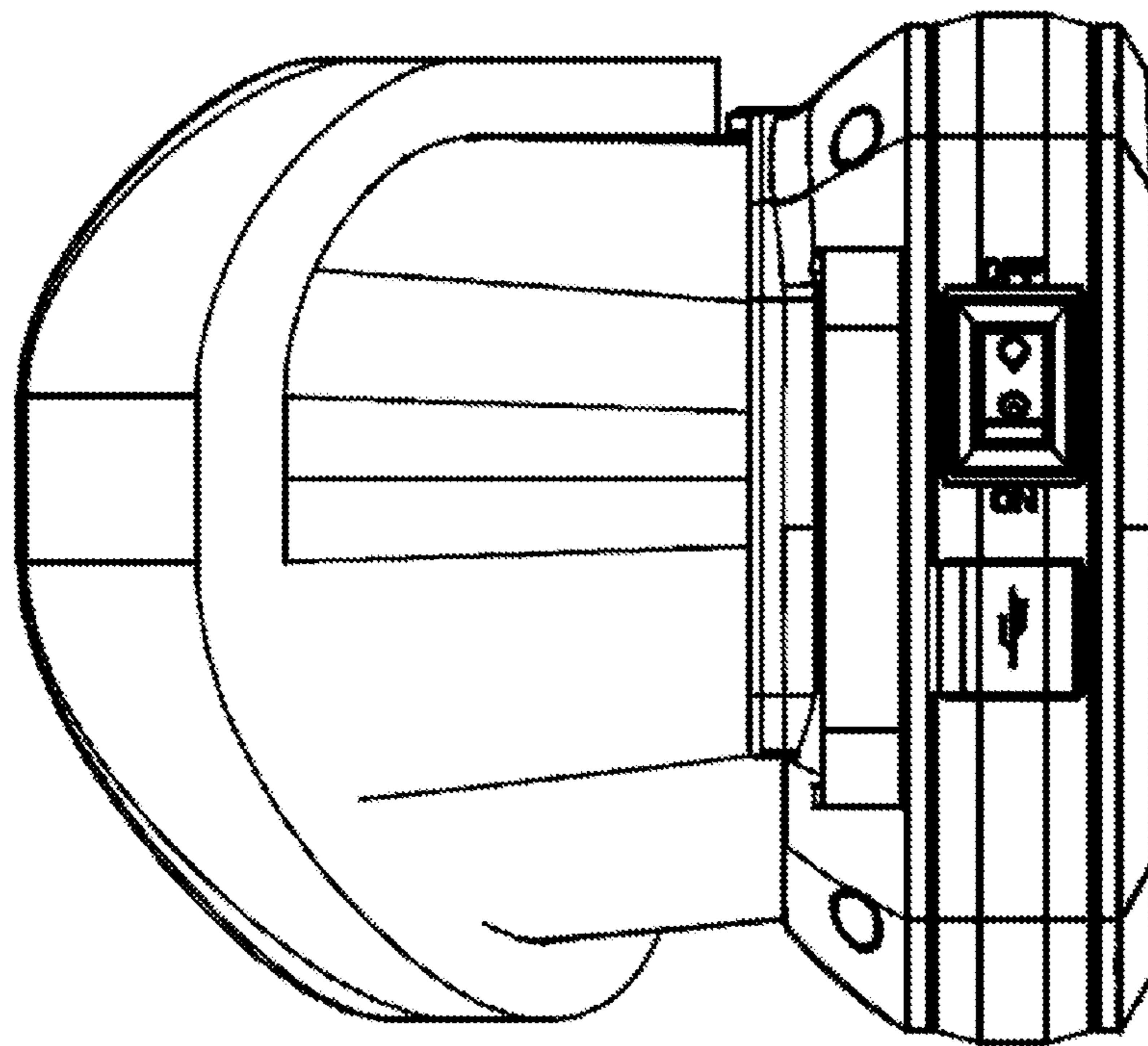


FIG. 7

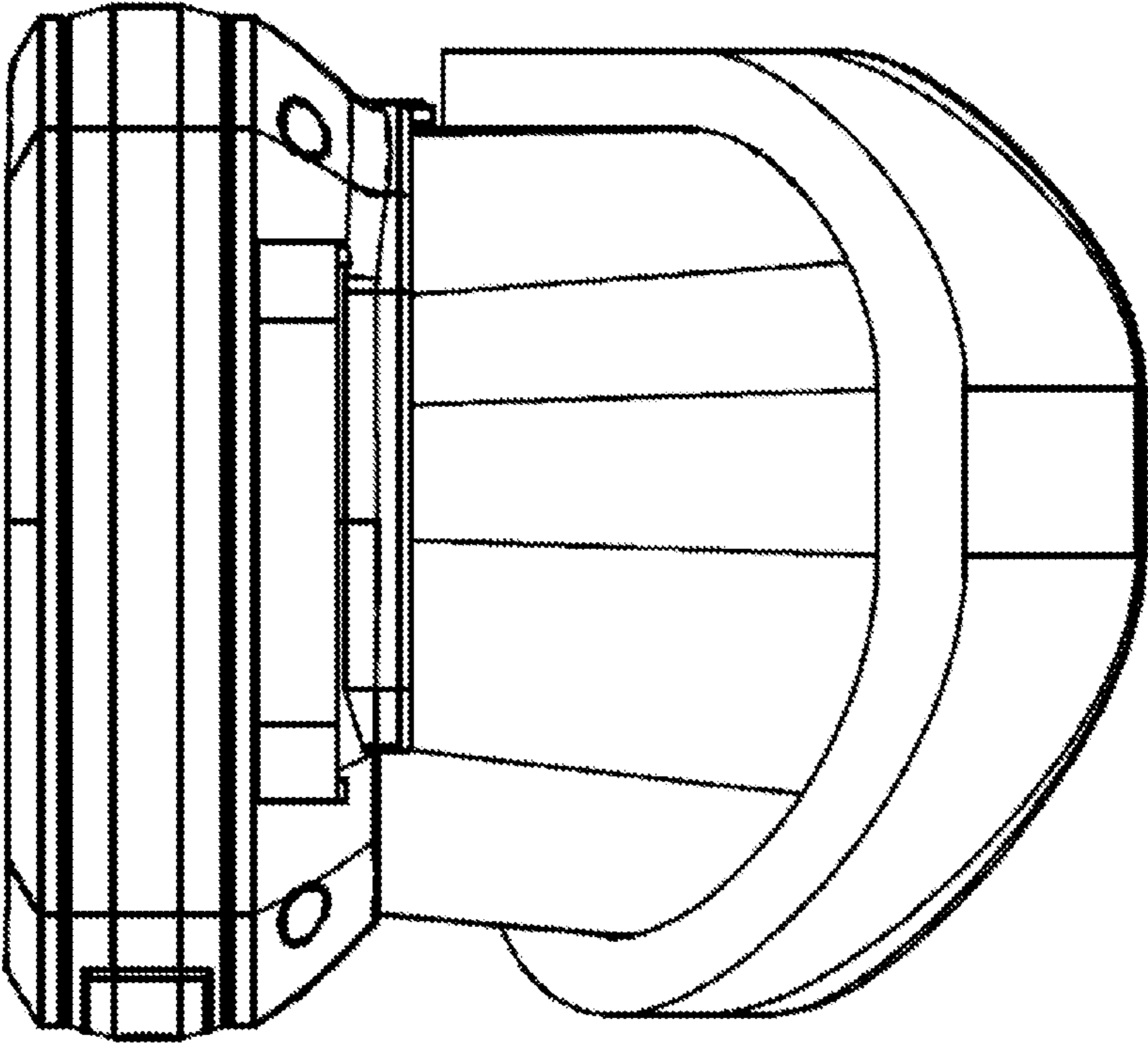


FIG. 8