



US00D751717S

(12) **United States Design Patent**  
**Kagawa**

(10) **Patent No.:** **US D751,717 S**  
(45) **Date of Patent:** **\*\* Mar. 15, 2016**

(54) **CONTROLLER FOR DENTAL TREATMENT**

(71) Applicant: **Takeshi Kagawa**, Kanuma (JP)

(72) Inventor: **Takeshi Kagawa**, Kanuma (JP)

(73) Assignee: **Nakanishi Inc.**, Kanuma-shi (JP)

(\*\*) Term: **14 Years**

(21) Appl. No.: **29/519,393**

(22) Filed: **Mar. 4, 2015**

(51) **LOC (10) Cl.** ..... **24-02**

(52) **U.S. Cl.**  
USPC ..... **D24/177**

(58) **Field of Classification Search**  
USPC ..... D24/155–156, 176–182; D13/162, 184;  
433/29, 80, 82, 98, 101, 125–126  
CPC .... A61C 17/20; A61C 17/221; A61C 1/0023;  
A61C 1/0015  
See application file for complete search history.

(56) **References Cited**

**U.S. PATENT DOCUMENTS**

- 3,411,209 A \* 11/1968 Stemler ..... A61C 1/0015  
D24/146
- 5,125,837 A \* 6/1992 Warrin ..... A61C 17/20  
433/216
- D631,549 S \* 1/2011 Kagawa ..... D24/176

- D661,399 S \* 6/2012 Wang ..... D24/176
- 8,314,605 B2 \* 11/2012 Pruckner ..... A61C 1/0015  
324/120
- 2007/0003902 A1 \* 1/2007 Castellini ..... A61C 1/0015  
433/98
- 2007/0166662 A1 \* 7/2007 Lint ..... A61C 17/20  
433/101

\* cited by examiner

*Primary Examiner* — Wan Laymon

(74) *Attorney, Agent, or Firm* — Jason D. Voight

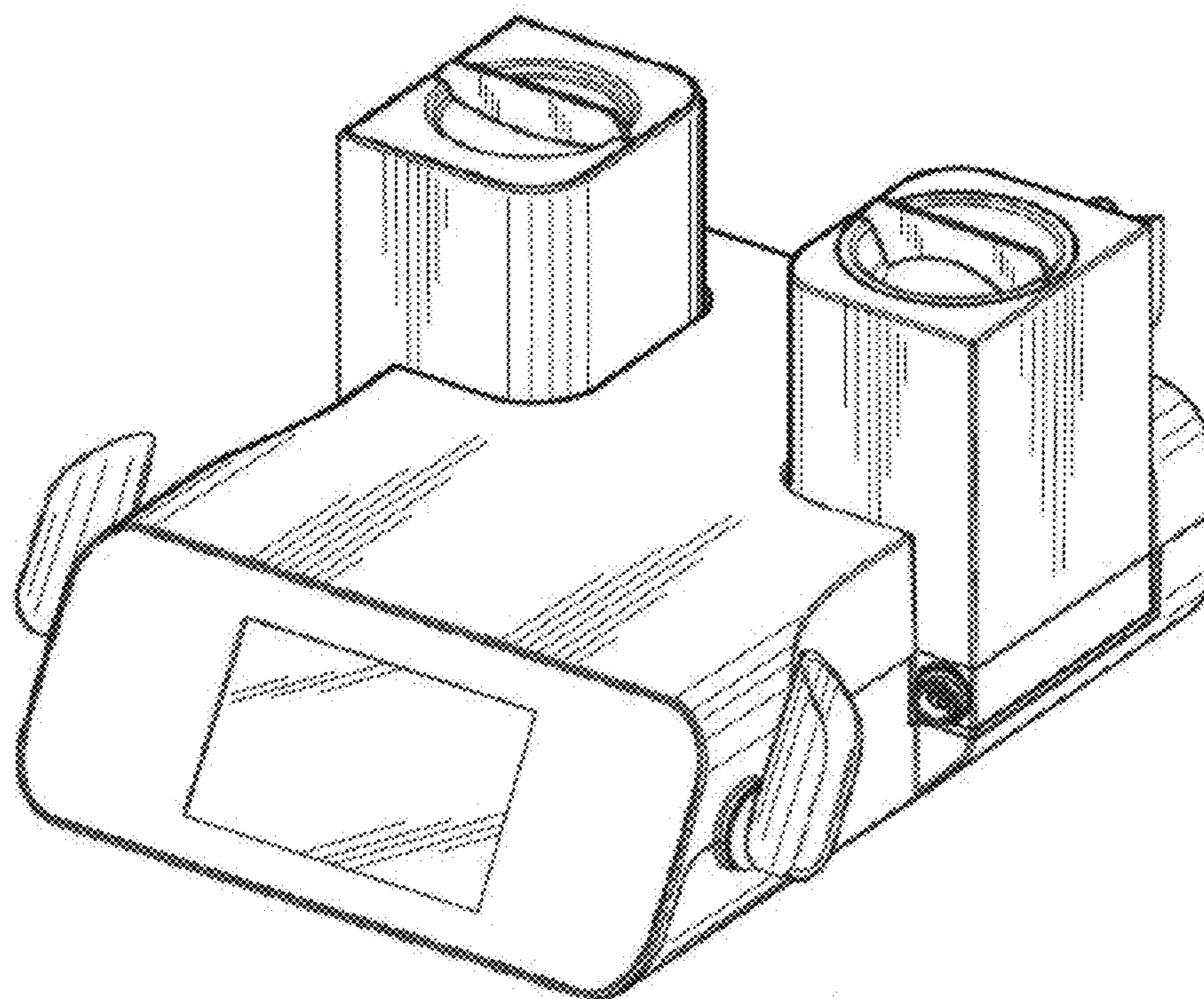
(57) **CLAIM**

The ornamental design for a controller for dental treatment, as shown and described.

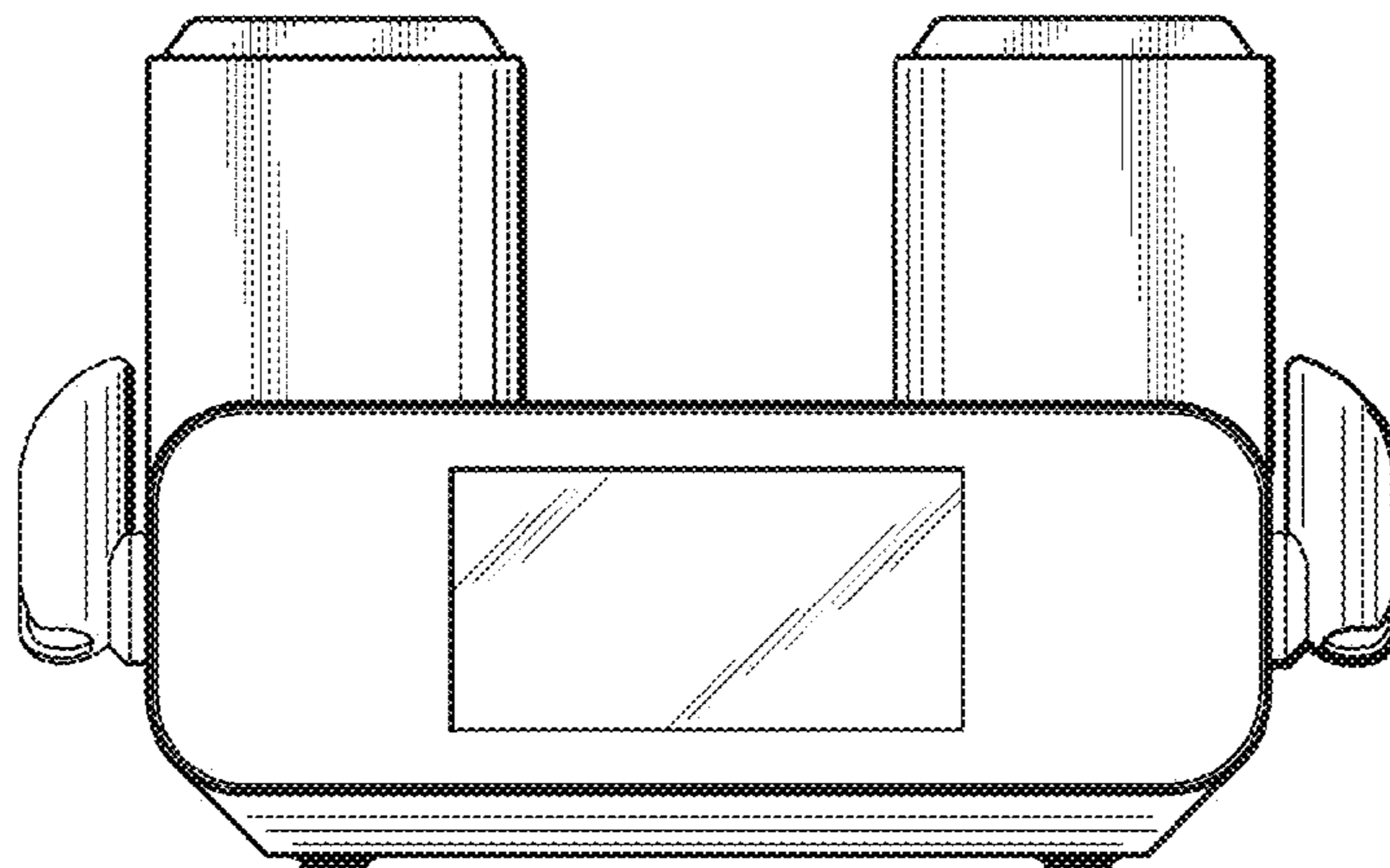
**DESCRIPTION**

FIG. 1 is a front view of a controller for dental treatment;  
 FIG. 2 is a rear view thereof;  
 FIG. 3 is a left side view thereof;  
 FIG. 4 is a right side view thereof;  
 FIG. 5 is a top view thereof;  
 FIG. 6 is a bottom view thereof;  
 FIG. 7 is a perspective view from upper right side thereof;  
 and,  
 FIG. 8 is a perspective view thereof, showing the state of use.  
 The broken lines in FIG. 8 are included for the purpose of illustrating environmental structure of the controller for dental handpiece and form no part of the claimed design.

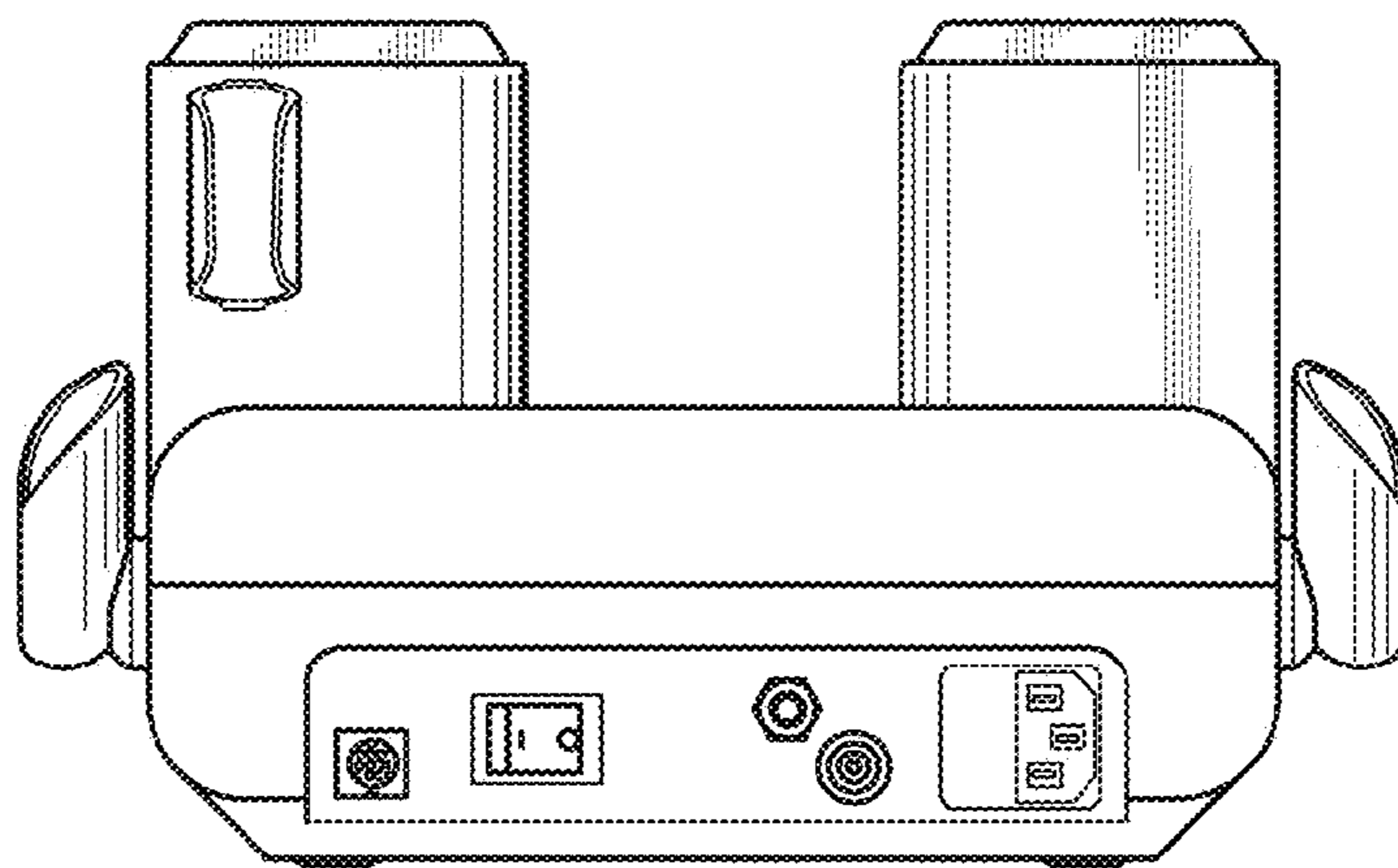
**1 Claim, 4 Drawing Sheets**



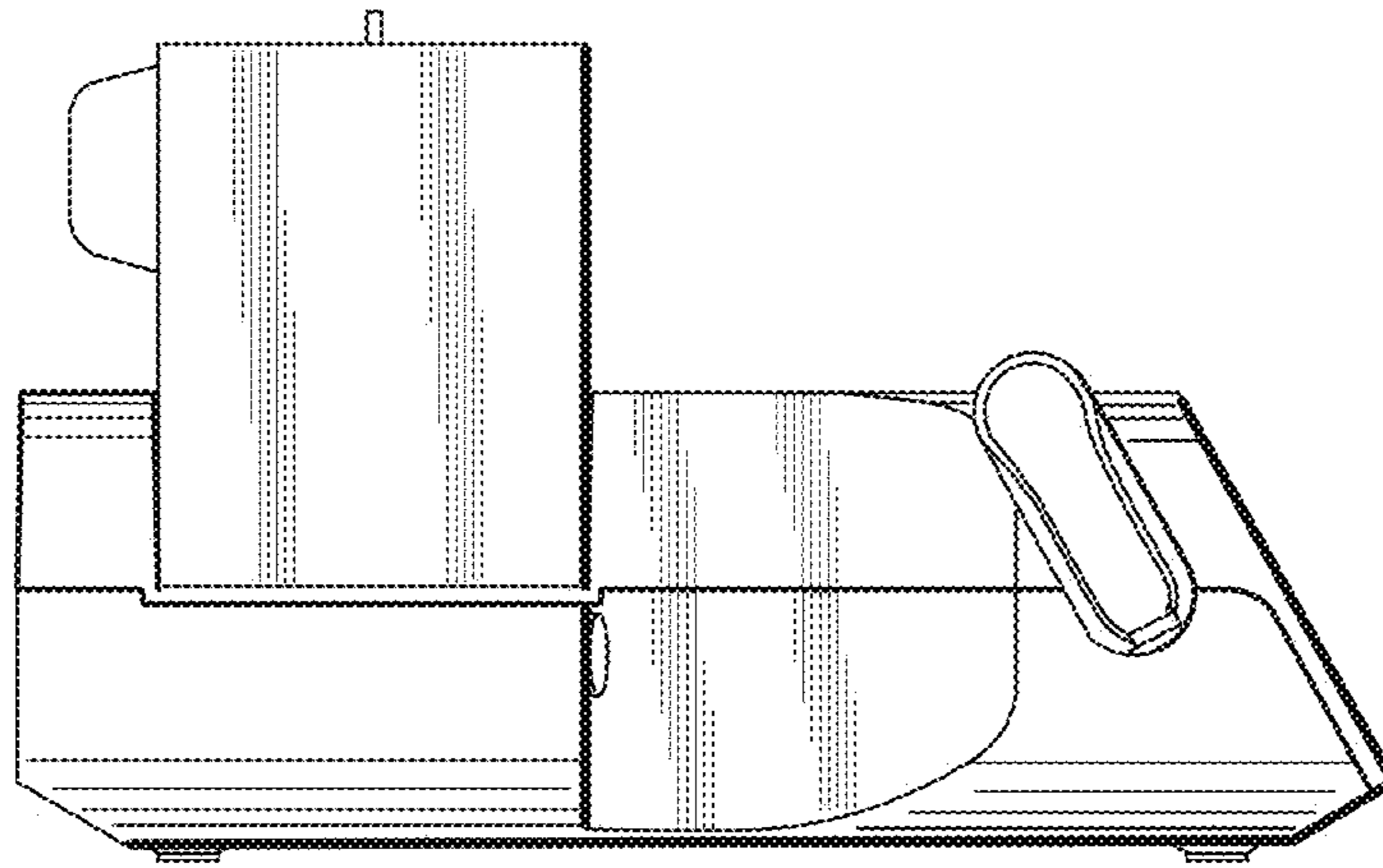
**FIG. 1**



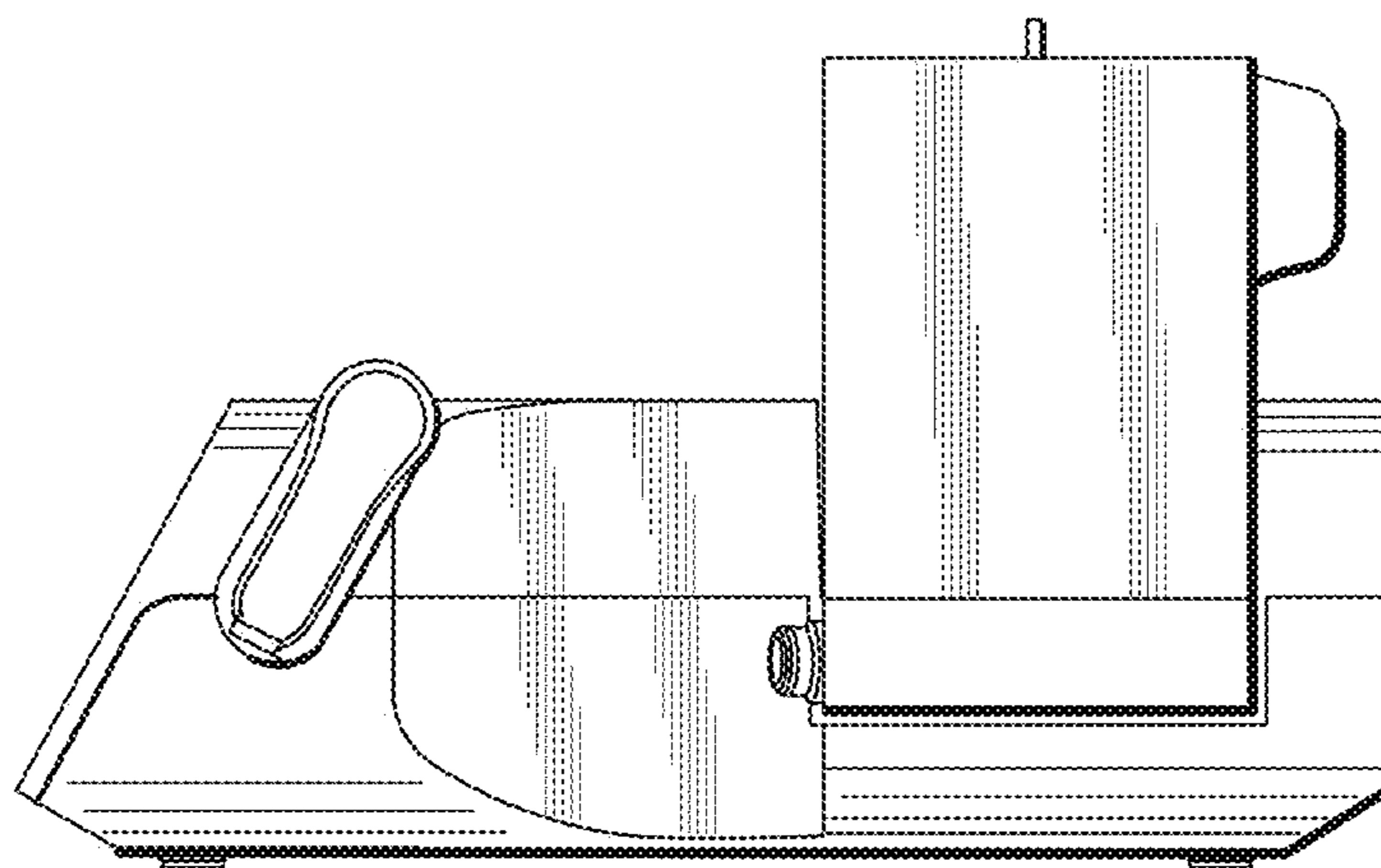
**FIG. 2**



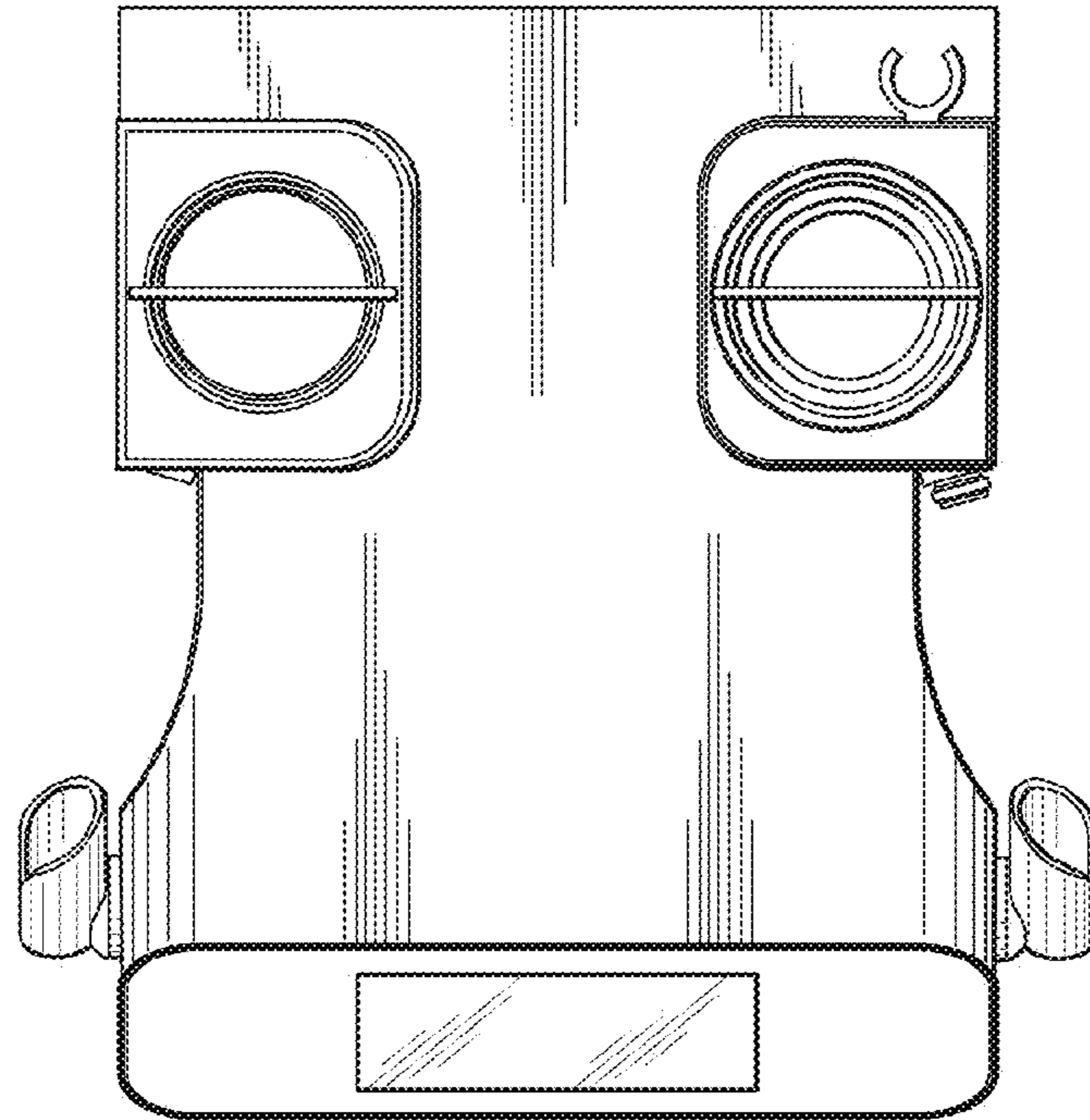
**FIG. 3**



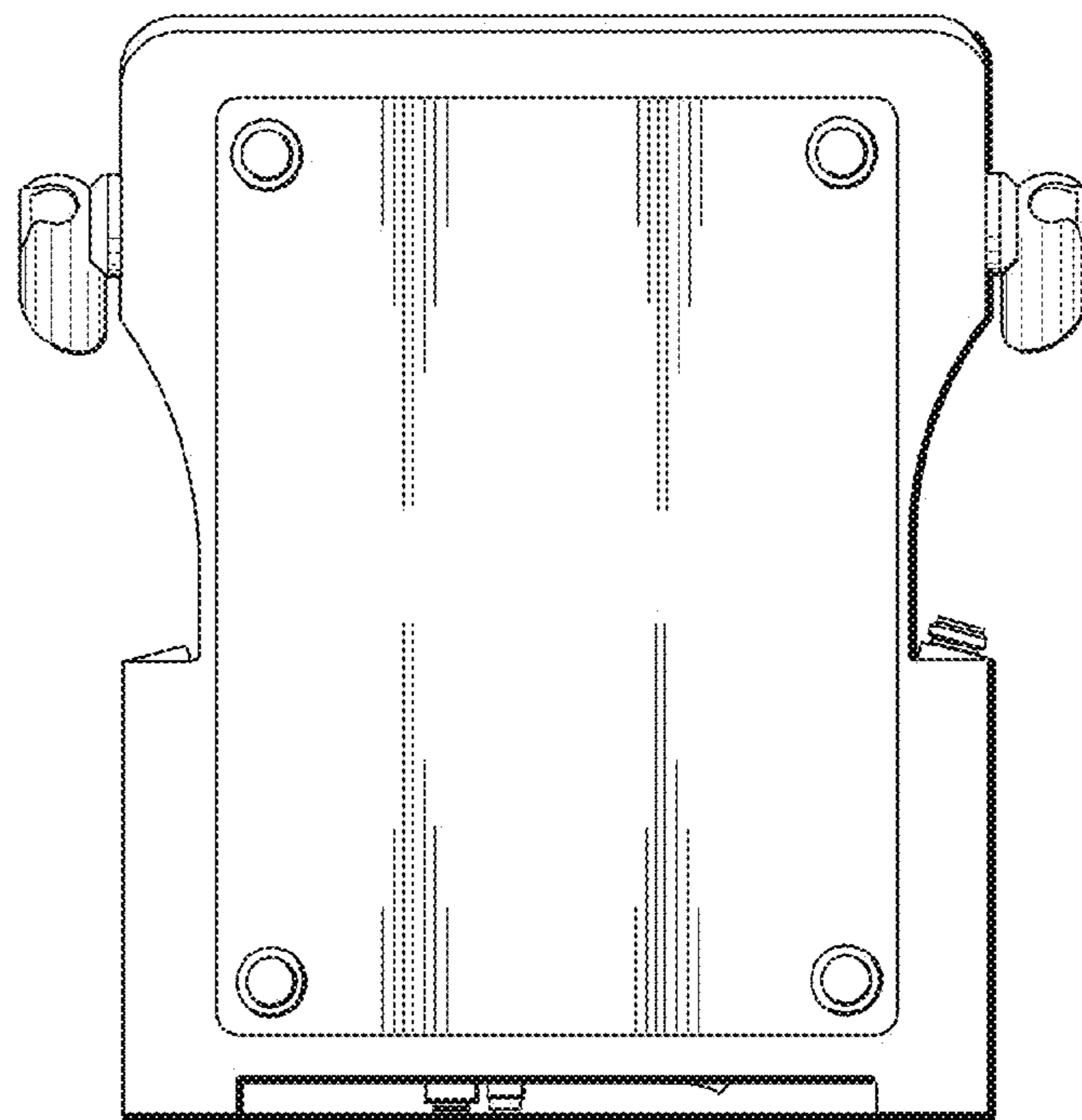
**FIG. 4**



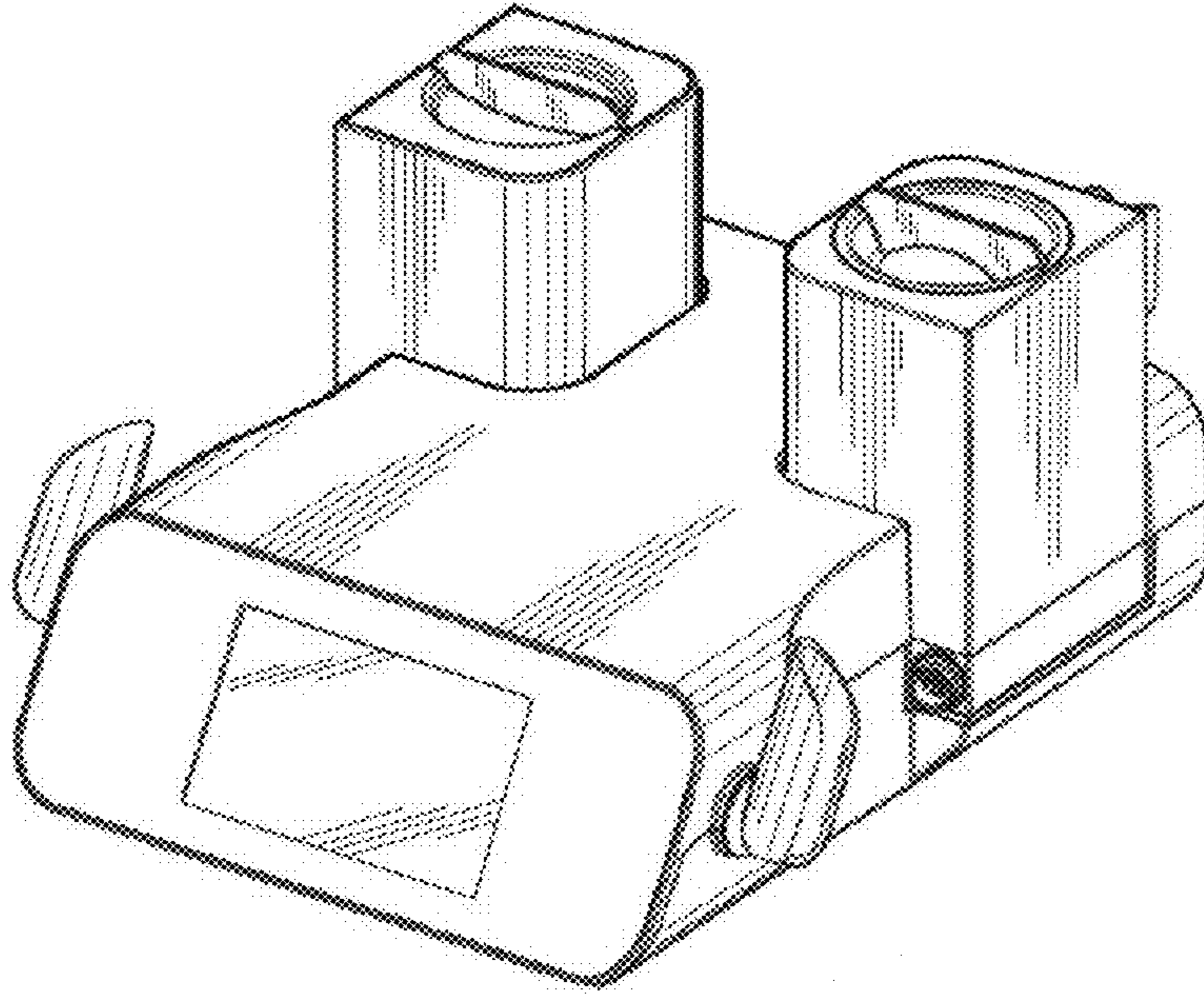
**FIG. 5**



**FIG. 6**



**FIG. 7**



**FIG. 8**

