



US00D751715S

(12) **United States Design Patent**
Bostley et al.

(10) **Patent No.:** **US D751,715 S**
(45) **Date of Patent:** **** Mar. 15, 2016**

(54) **RADIOGRAPHIC DETECTOR PROTECTOR**

(71) Applicant: **RC Imaging, Inc.**, Hilton, NY (US)

(72) Inventors: **Eric Bostley**, Hilton, NY (US); **Brian Giardino**, Rochester, NY (US); **Brian Meyer**, Hamlin, NY (US)

(73) Assignee: **RC Imaging, Inc.**, Hilton, NY (US)

(**) Term: **14 Years**

(21) Appl. No.: **29/523,911**

(22) Filed: **Apr. 15, 2015**

(51) **LOC (10) Cl.** **24-01**

(52) **U.S. Cl.**
USPC **D24/161**

(58) **Field of Classification Search**
USPC D24/158-161, 186; D16/250; D14/435, D14/482
CPC H04N 5/367; G03B 42/04
See application file for complete search history.

(56) **References Cited**

U.S. PATENT DOCUMENTS

5,652,781	A *	7/1997	Armbruster	G03B 42/04 378/182
D397,795	S *	9/1998	Roddy	D24/161
D450,848	S *	11/2001	Hayashi	D24/158
D477,080	S *	7/2003	Takahashi	D24/161
D601,254	S *	9/2009	Weichert	D24/161
D656,614	S	3/2012	Stinson		
D683,459	S	5/2013	Haltof et al.		
D714,444	S *	9/2014	Ogura	D24/158

2010/0230606	A1 *	9/2010	Liu	G03B 42/04 250/370.04
2012/0119098	A1 *	5/2012	Konkle	G03B 42/04 250/370.09
2013/0051531	A1 *	2/2013	Kobayashi	G03B 42/04 378/98
2015/0063550	A1 *	3/2015	Wojcik	G03B 42/04 378/189

* cited by examiner

Primary Examiner — Anhdao Doan

(74) *Attorney, Agent, or Firm* — Tracy Jong Law Firm; Tracy P. Jong; Cheng Ning Jong

(57) **CLAIM**

The ornamental design for a radiographic detector protector, as shown and described.

DESCRIPTION

FIG. 1 is a top rear perspective view of a radiographic detector protector having a radiographic detector panel held within the radiographic detector protector.

FIG. 2 is a top rear perspective view of a radiographic detector protector without a radiographic detector panel held within the radiographic detector protector.

FIG. 3 is a bottom front perspective view thereof.

FIG. 4 is a top front perspective view thereof.

FIG. 5 is a front view thereof.

FIG. 6 is a rear view thereof.

FIG. 7 is a left side view thereof.

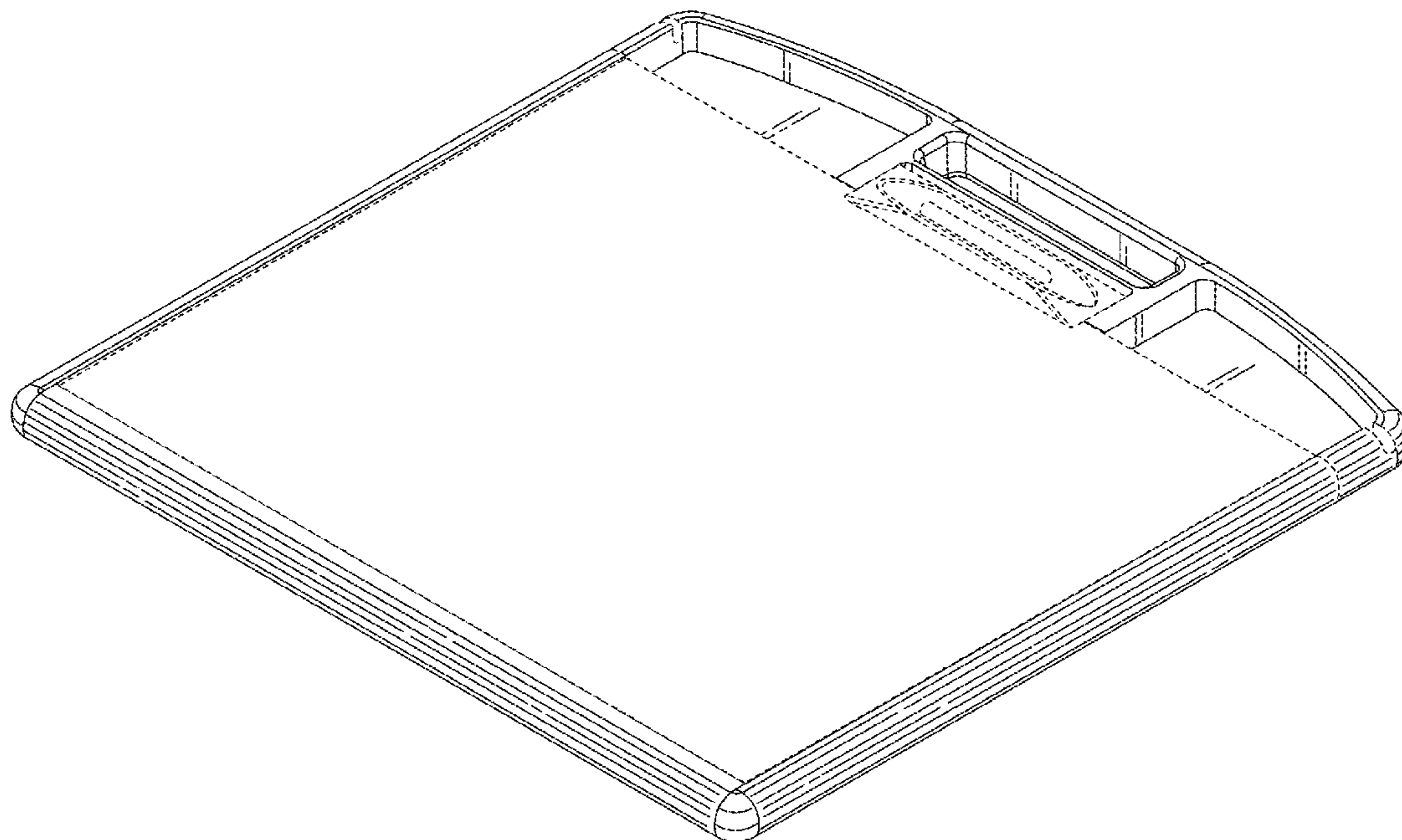
FIG. 8 is a right side view thereof.

FIG. 9 is a top view thereof; and,

FIG. 10 is a bottom view thereof.

The large unshaded surfaces shown in FIG. 1 and the broken lines shown throughout the views represent the portions of the design that form no part of the claim.

1 Claim, 7 Drawing Sheets



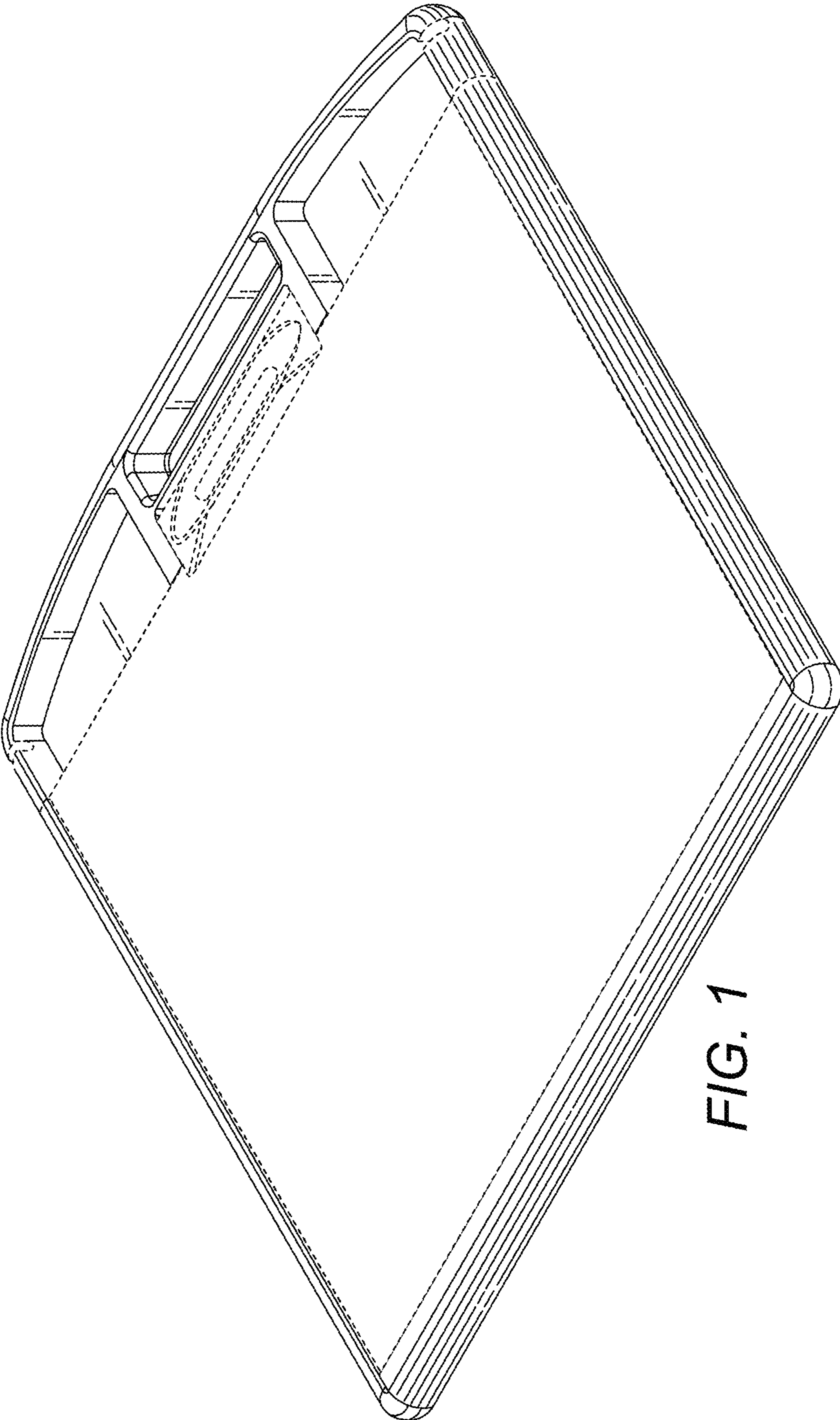


FIG. 1

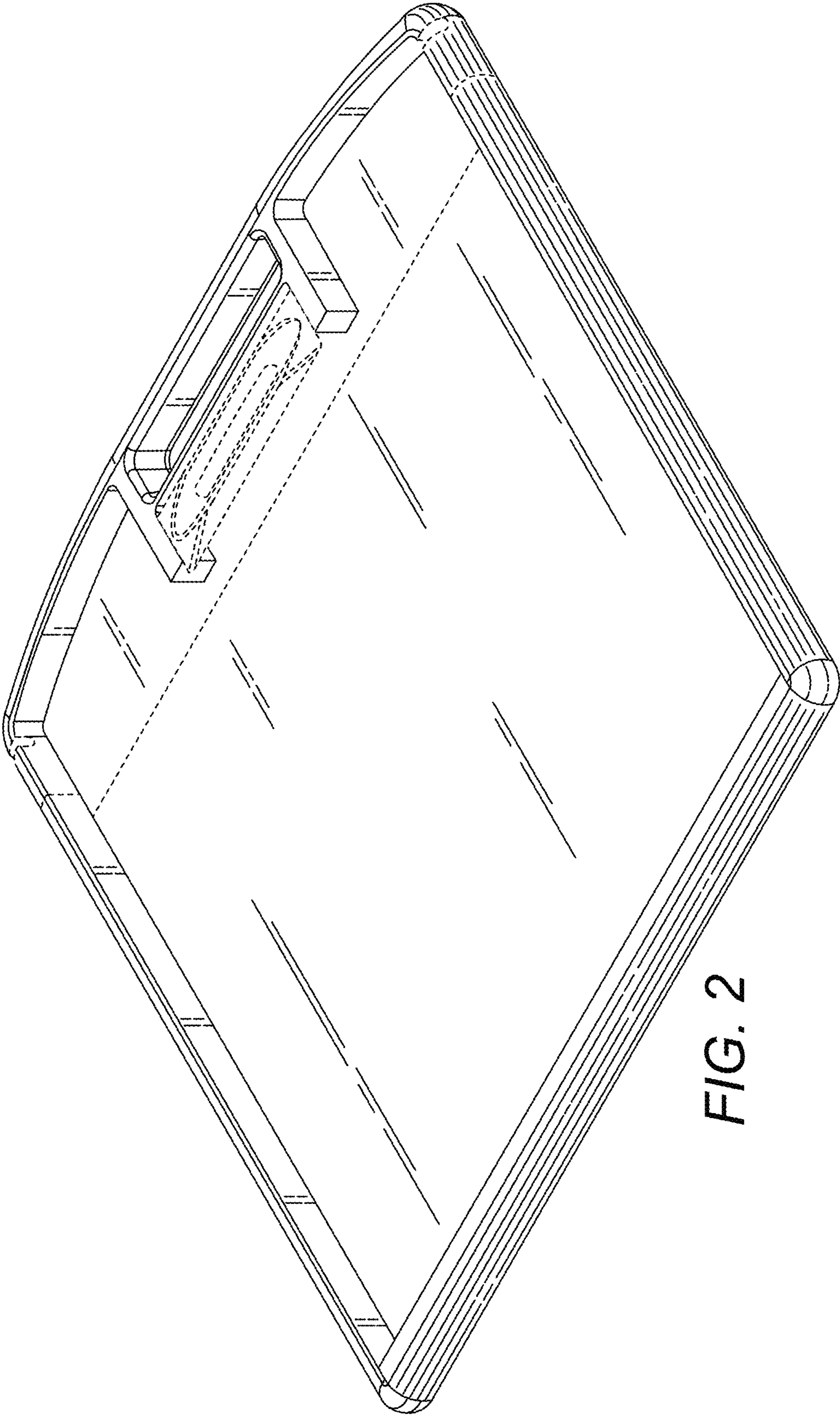


FIG. 2

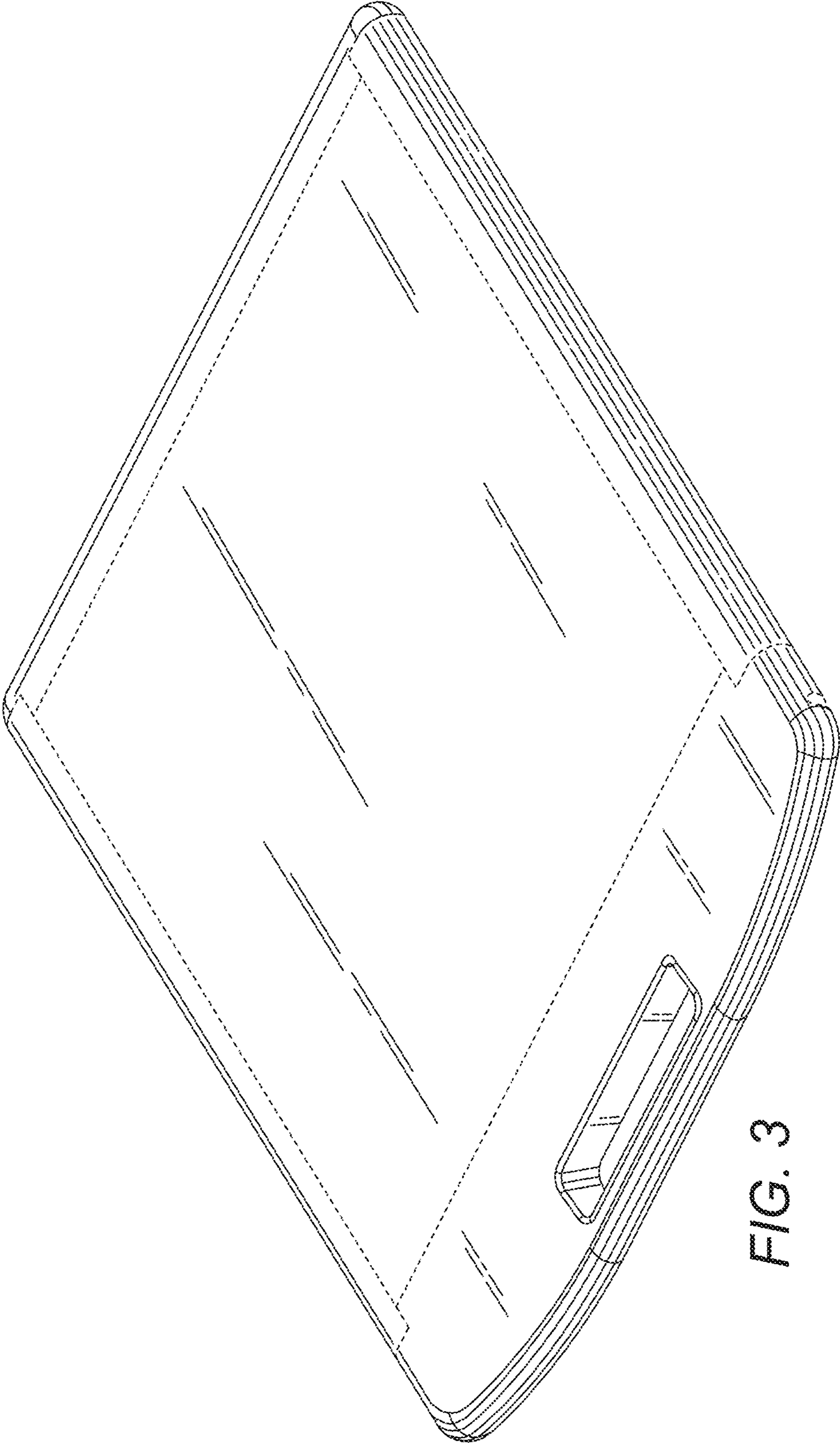


FIG. 3

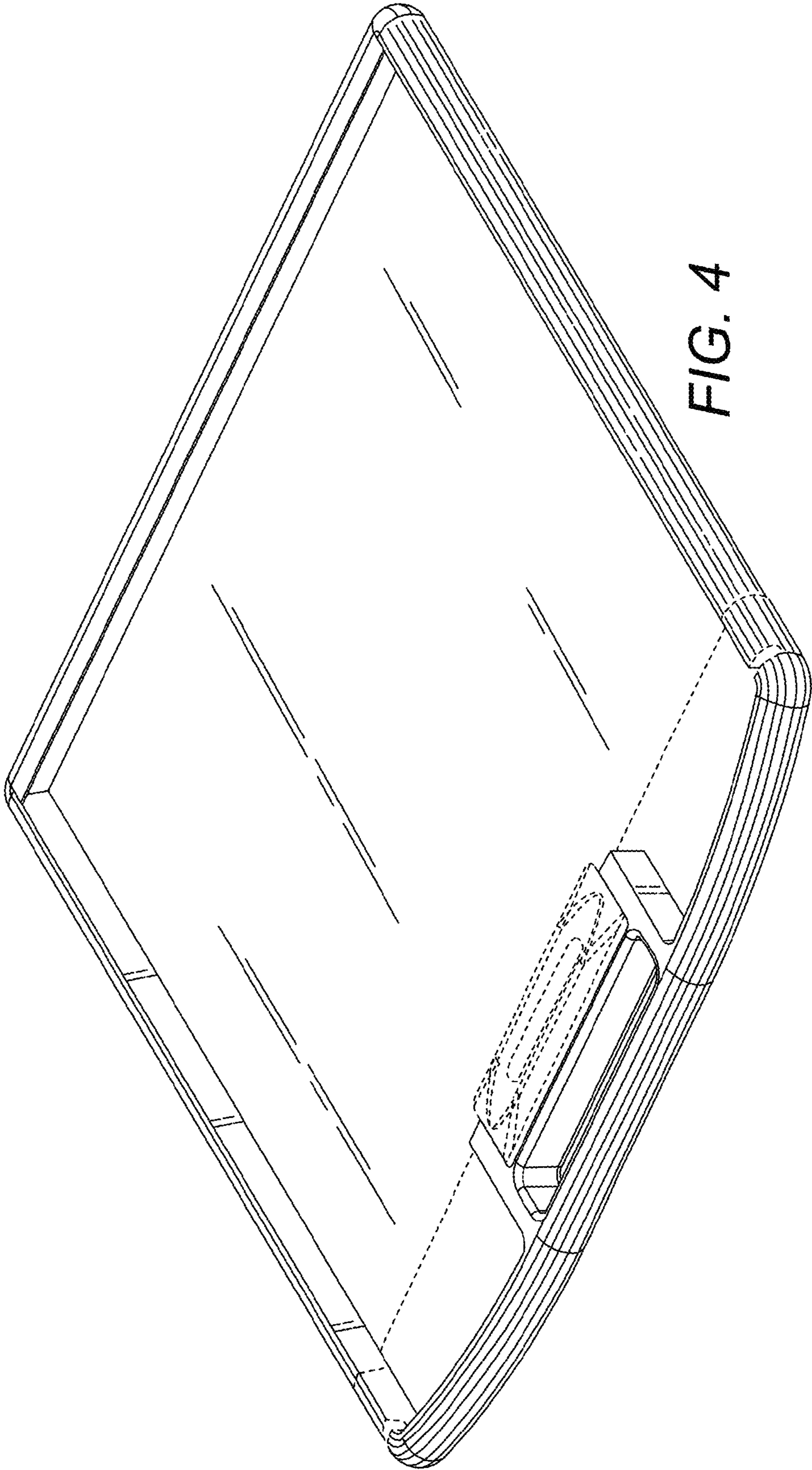


FIG. 4

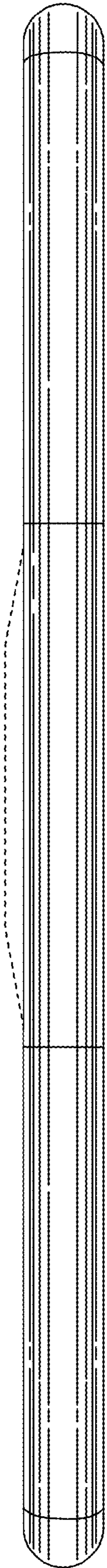


FIG. 5

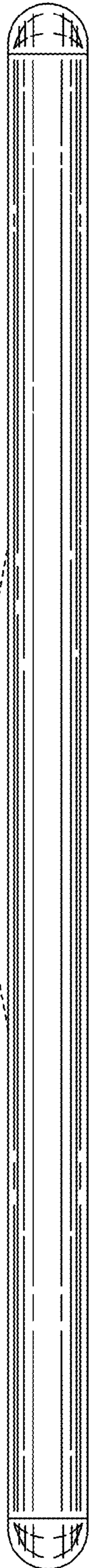


FIG. 6

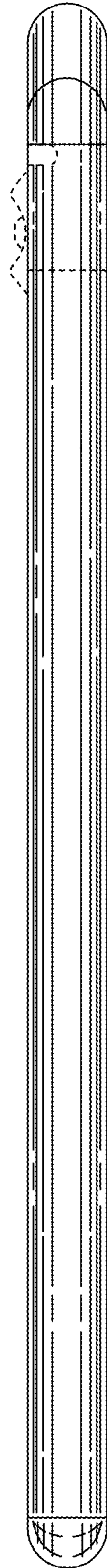


FIG. 7

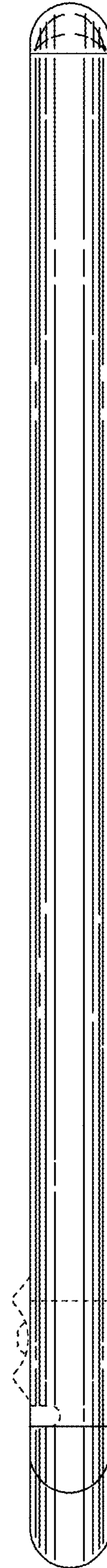


FIG. 8

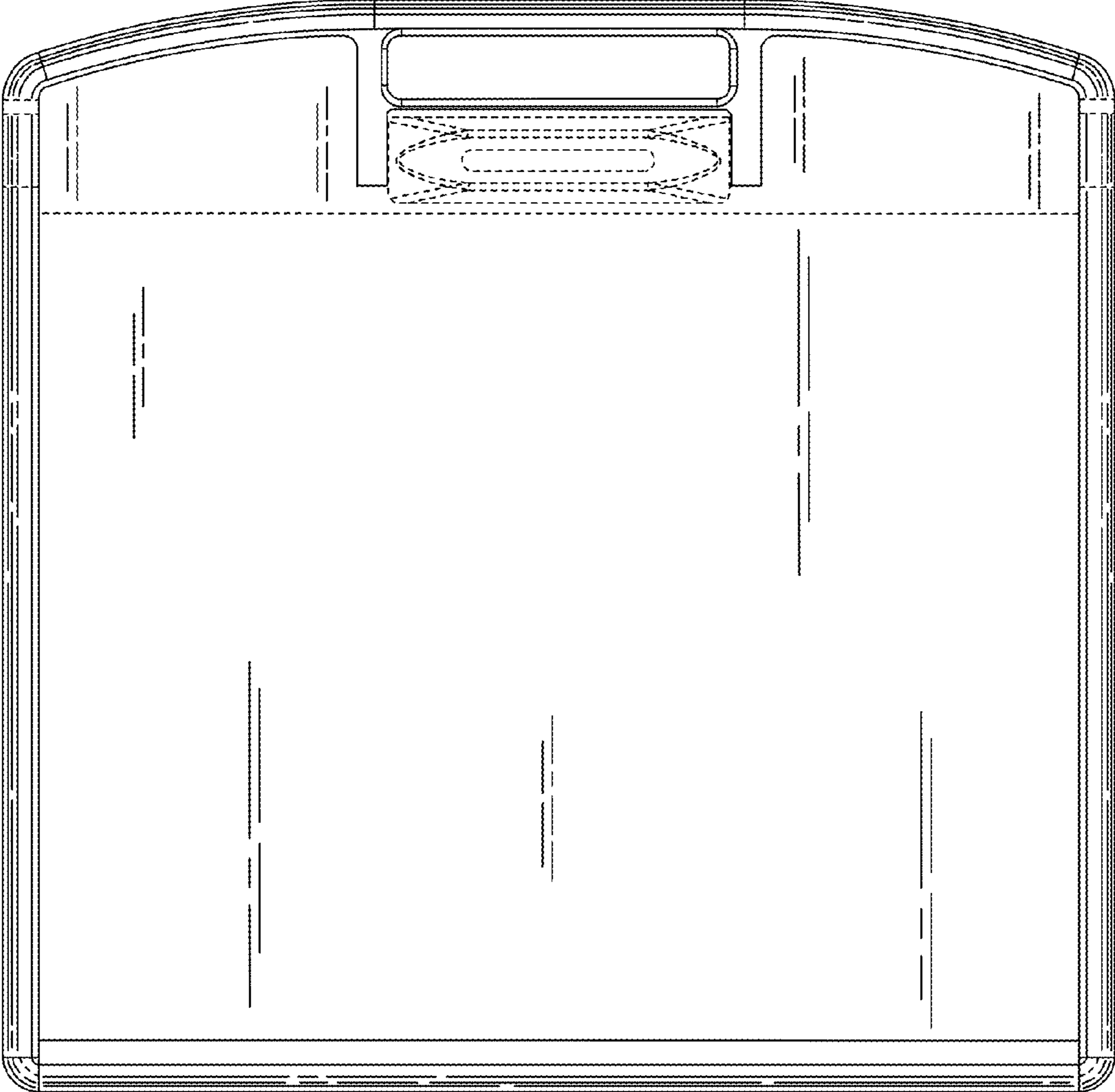


FIG. 9

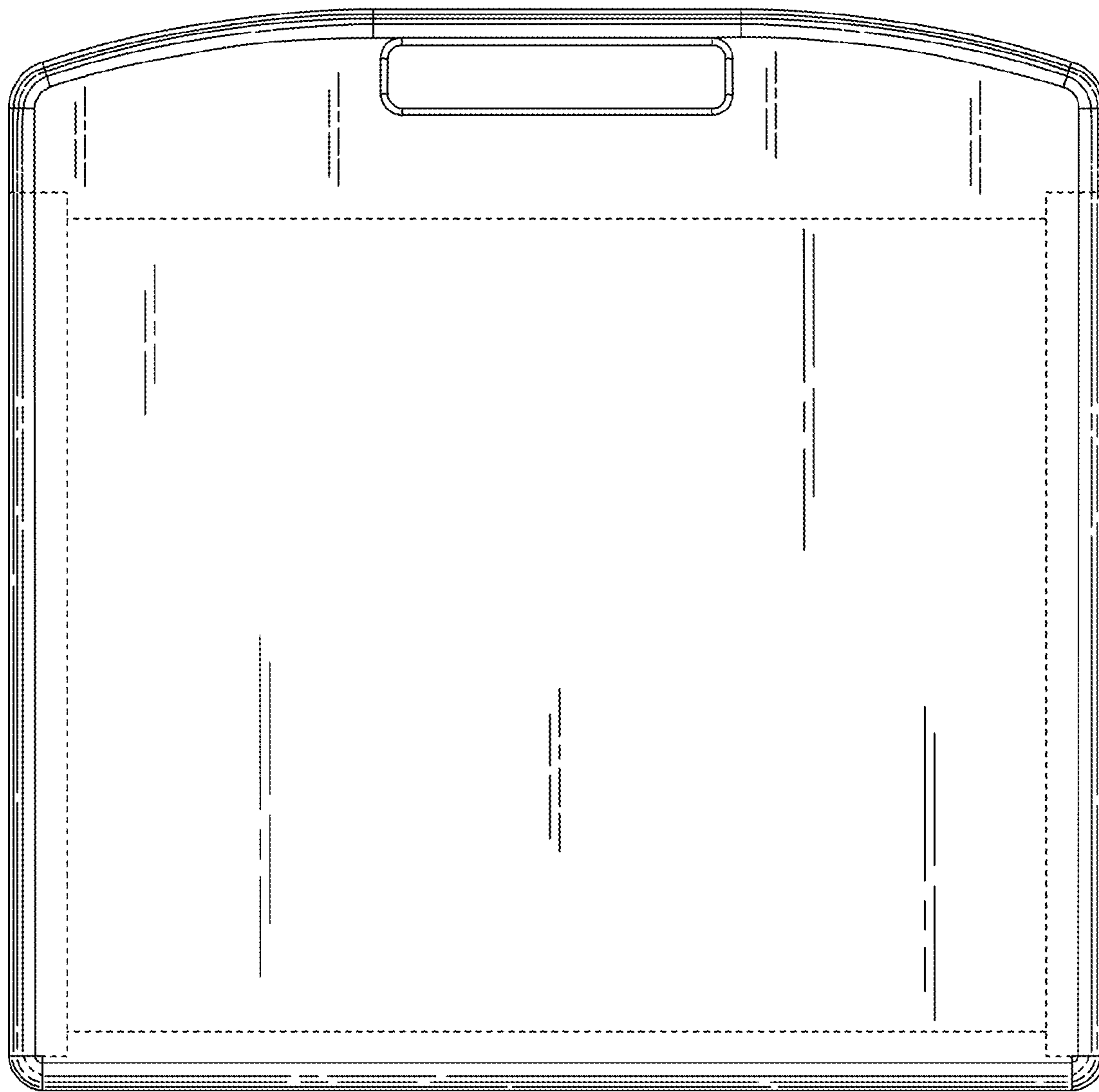


FIG. 10