



US00D751714S

(12) **United States Design Patent**
Ogura

(10) **Patent No.:** **US D751,714 S**
(45) **Date of Patent:** **** Mar. 15, 2016**

(54) **X-RAY DIGITAL IMAGING DEVICE**

(71) Applicant: **FUJIFILM Corporation**, Tokyo (JP)

(72) Inventor: **Ryosuke Ogura**, Kanagawa (JP)

(73) Assignee: **FUJIFILM Corporation**, Tokyo (JP)

(**) Term: **14 Years**

(21) Appl. No.: **29/518,010**

(22) Filed: **Feb. 19, 2015**

(30) **Foreign Application Priority Data**

Aug. 22, 2014 (JP) 2014-018381

(51) **LOC (10) Cl.** **24-01**

(52) **U.S. Cl.**
USPC **D24/158**

(58) **Field of Classification Search**
USPC D24/158-161, 186; D16/250; D14/435,
D14/482
CPC H04N 5/367; G03B 42/04
See application file for complete search history.

(56) **References Cited**

U.S. PATENT DOCUMENTS

5,912,944 A * 6/1999 Budinski G03B 42/04
378/182
5,943,390 A * 8/1999 Wendlandt G03B 42/04
250/483.1
D450,385 S * 11/2001 Salazar D24/158

D477,081 S * 7/2003 Takahashi D24/161
D492,321 S * 6/2004 Farrar D14/435
D659,249 S * 5/2012 Ogura D24/161
D716,947 S * 11/2014 Ogura D24/158
D727,502 S * 4/2015 Sul D24/158
D733,713 S * 7/2015 Shim D14/435
2013/0051531 A1 * 2/2013 Kobayashi G03B 42/04
378/98
2014/0124678 A1 * 5/2014 Yoneyama H04N 5/378
250/393
2015/0063550 A1 * 3/2015 Wojcik G03B 42/04
378/189

* cited by examiner

Primary Examiner — Anhdao Doan

(74) *Attorney, Agent, or Firm* — Young & Thompson

(57) **CLAIM**

The ornamental design for an X-ray digital imaging device, as shown and described.

DESCRIPTION

FIG. 1 is a top, front and right side perspective view of an X-ray digital imaging device showing my new design; FIG. 2 is a front elevational view thereof; FIG. 3 is a rear elevational view thereof; FIG. 4 is a top plan view thereof; FIG. 5 is a right side elevational view thereof; and, FIG. 6 is an enlarged view of a portion defined between arrowheads V-V of FIG. 5, the portion having a circular shape and translucency.

1 Claim, 5 Drawing Sheets

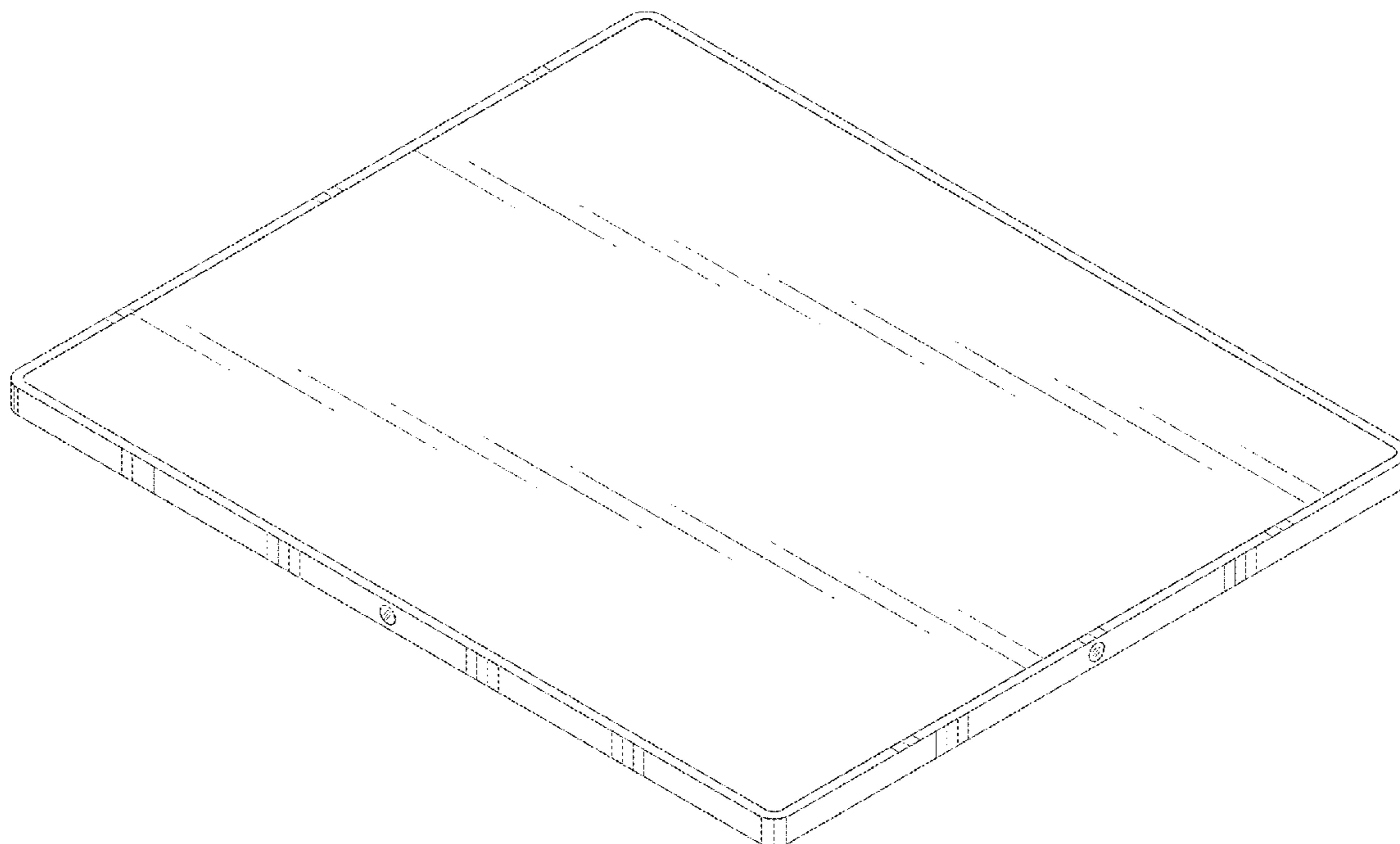


FIG. 1

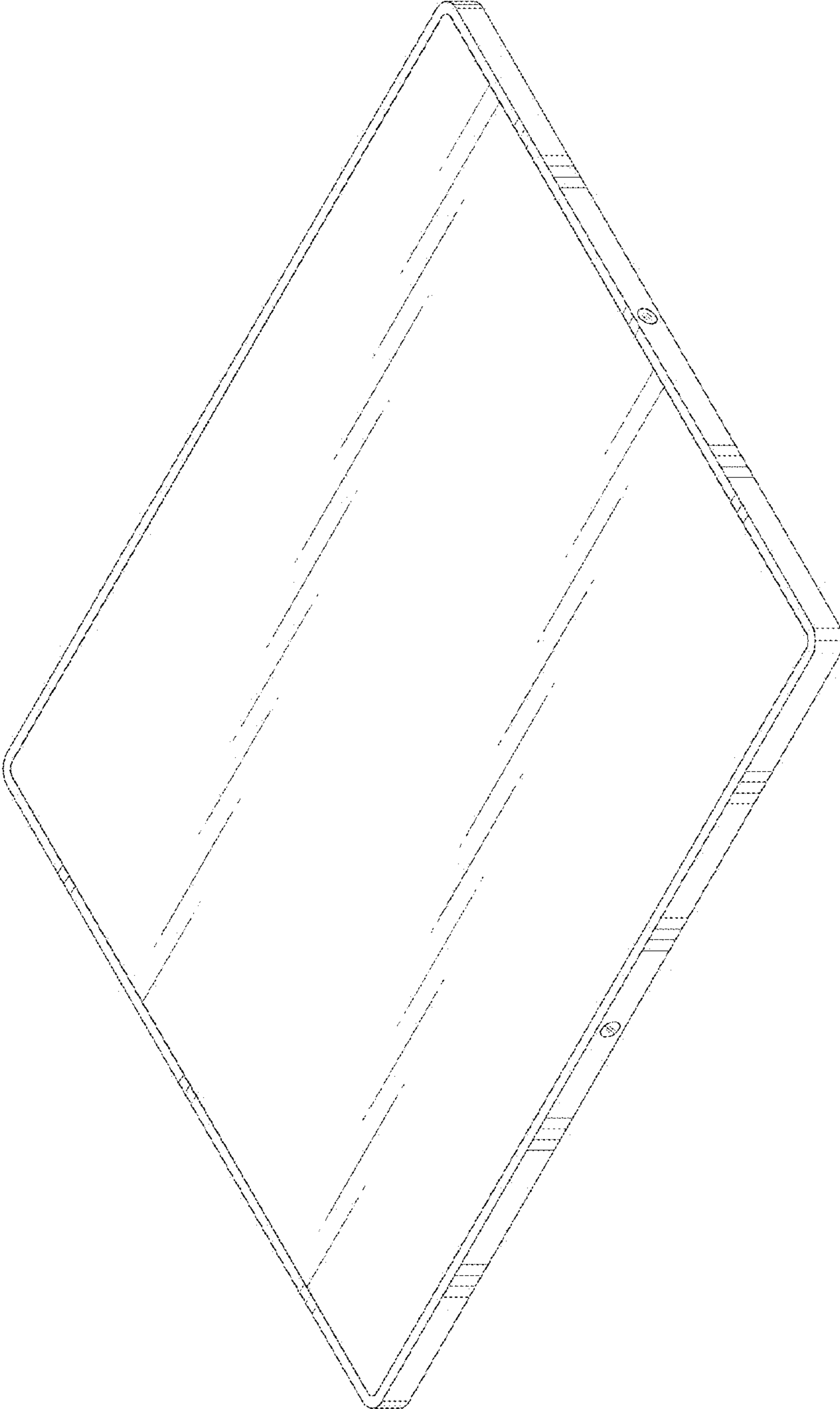


FIG.2

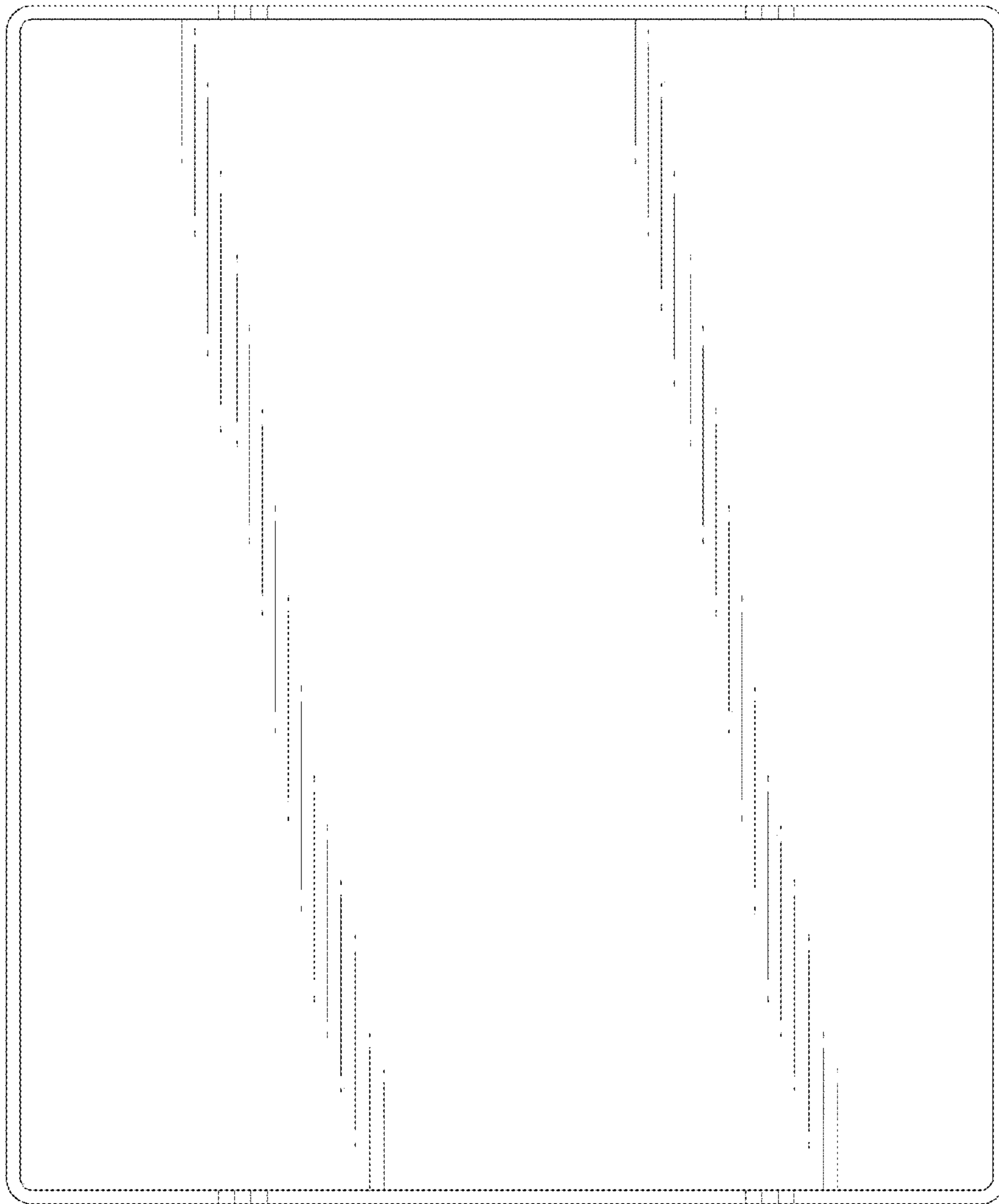


FIG.3

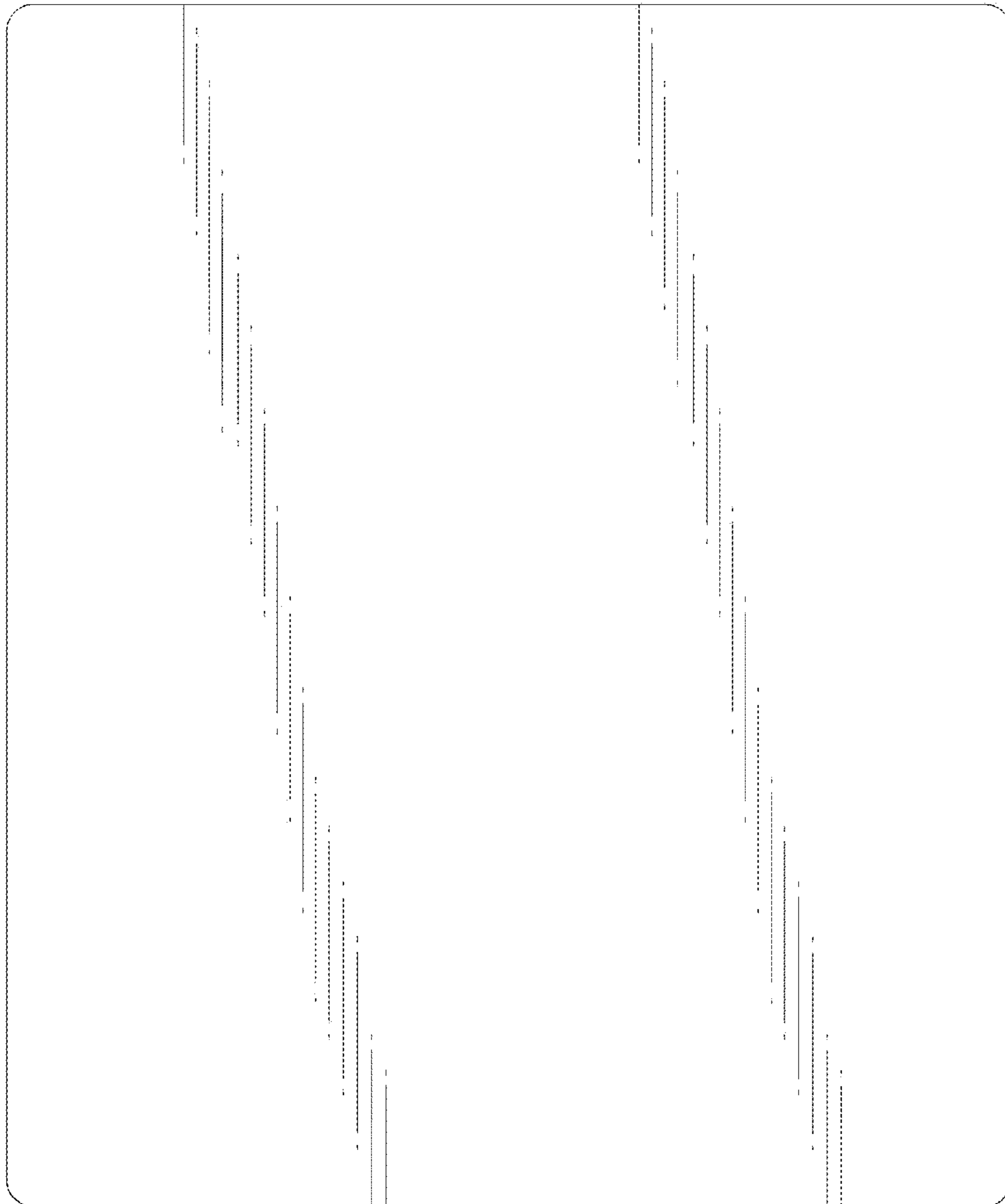


FIG.4



FIG.5

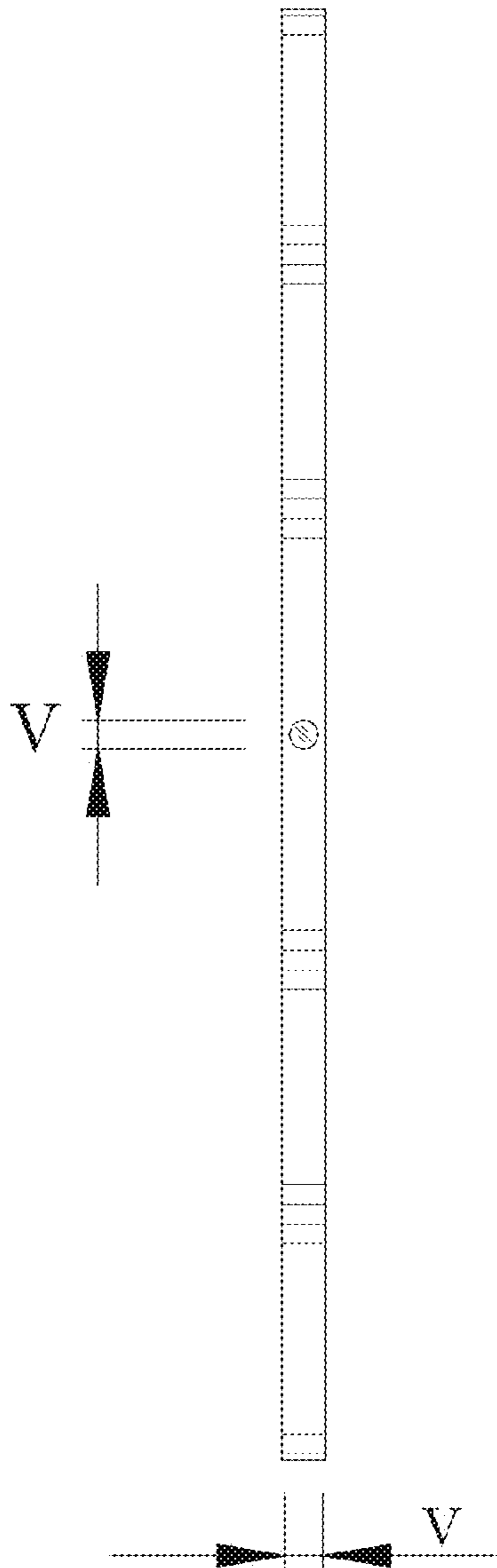


FIG.6

