



US00D751713S

(12) **United States Design Patent**  
**Ogura**

(10) **Patent No.:** **US D751,713 S**  
(45) **Date of Patent:** **\*\* Mar. 15, 2016**

(54) **X-RAY DIGITAL IMAGING DEVICE**

(71) Applicant: **FUJIFILM Corporation**, Tokyo (JP)

(72) Inventor: **Ryosuke Ogura**, Kanagawa (JP)

(73) Assignee: **FUJIFILM Corporation**, Tokyo (JP)

(\*\*) Term: **14 Years**

(21) Appl. No.: **29/518,005**

(22) Filed: **Feb. 19, 2015**

(30) **Foreign Application Priority Data**

Aug. 22, 2014 (JP) ..... 2014-018380

(51) **LOC (10) Cl.** ..... **24-01**

(52) **U.S. Cl.**  
USPC ..... **D24/158**

(58) **Field of Classification Search**  
USPC ..... D24/158-161, 186; D16/250; D14/435,  
D14/482  
CPC ..... H04N 5/357; G03B 42/04  
See application file for complete search history.

(56) **References Cited**

**U.S. PATENT DOCUMENTS**

5,126,286 A \* 6/1992 Chance ..... H01L 23/485  
257/782  
5,943,390 A \* 8/1999 Wendlandt ..... G03B 42/04  
250/483.1

D659,249 S \* 5/2012 Ogura ..... D24/161  
D680,119 S \* 4/2013 Nilsson ..... D14/435  
D680,545 S \* 4/2013 Nilsson ..... D14/435  
D683,459 S \* 5/2013 Haltof ..... D24/161  
D714,444 S \* 9/2014 Ogura ..... D24/158  
D716,947 S \* 11/2014 Ogura ..... D24/158  
D727,502 S \* 4/2015 Sul ..... D24/158

\* cited by examiner

*Primary Examiner* — Anhdao Doan

(74) *Attorney, Agent, or Firm* — Young & Thompson

(57) **CLAIM**

The ornamental design for an X-ray digital imaging device, as shown and described.

**DESCRIPTION**

FIG. 1 is a top, rear and right side perspective view of an X-ray digital imaging device showing my new design;  
FIG. 2 is a top, front and left side perspective view thereof;  
FIG. 3 is a front elevational view thereof;  
FIG. 4 is a rear elevational view thereof;  
FIG. 5 is a top plan view thereof;  
FIG. 6 is a right side elevational view thereof;  
FIG. 7 is an enlarged view of a portion defined between arrowheads VII-VII of FIG. 3;  
FIG. 8 is an enlarged view of a portion defined between arrowheads VIII-VIII of FIG. 4;  
FIG. 9 is an enlarged view of a portion defined between arrowheads IX-IX of FIG. 6; and,  
FIG. 10 is an enlarged view of a portion defined between arrowheads VIII-VIII and arrowheads IX-IX of FIGS. 4 and 6.

**1 Claim, 7 Drawing Sheets**

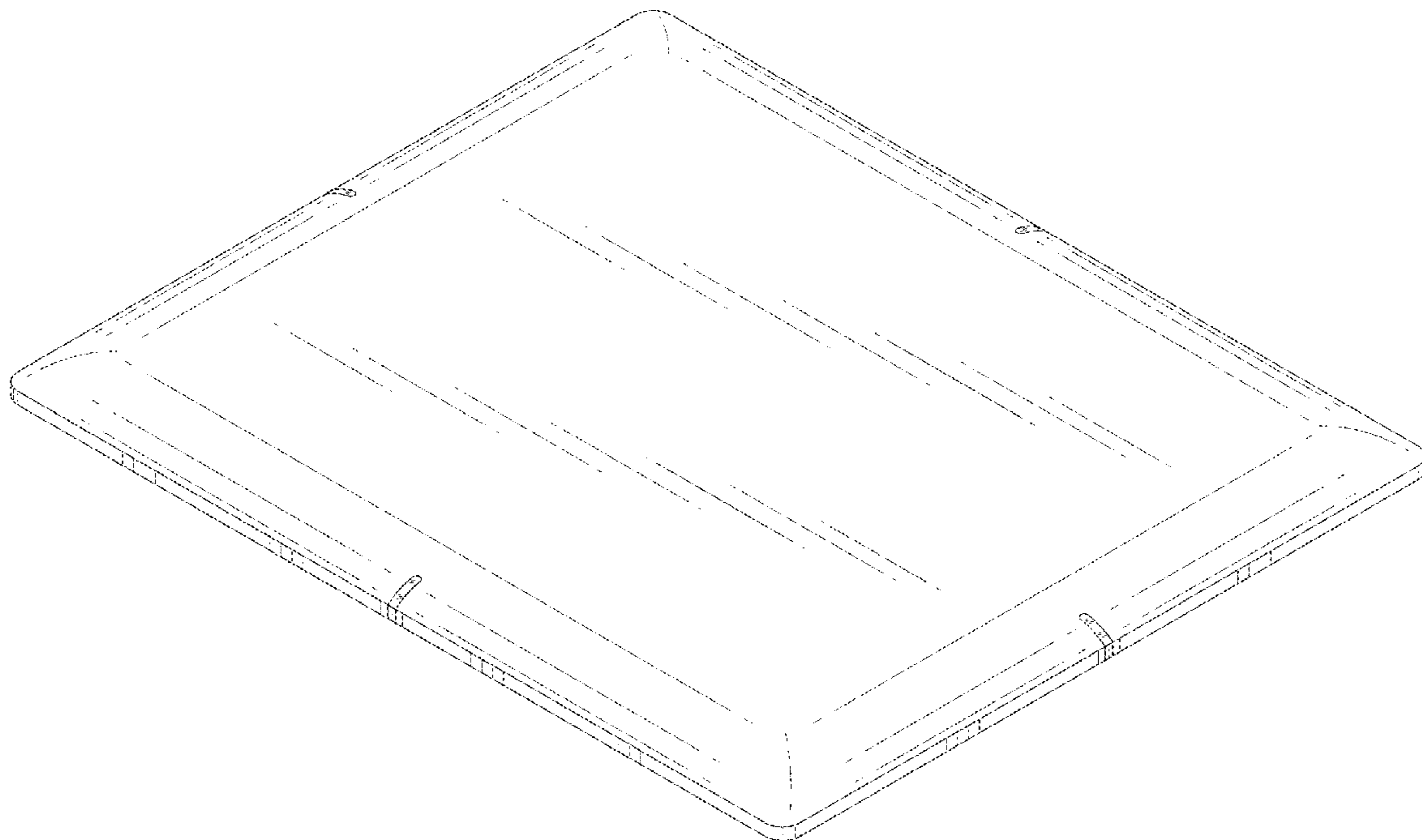


FIG. 1

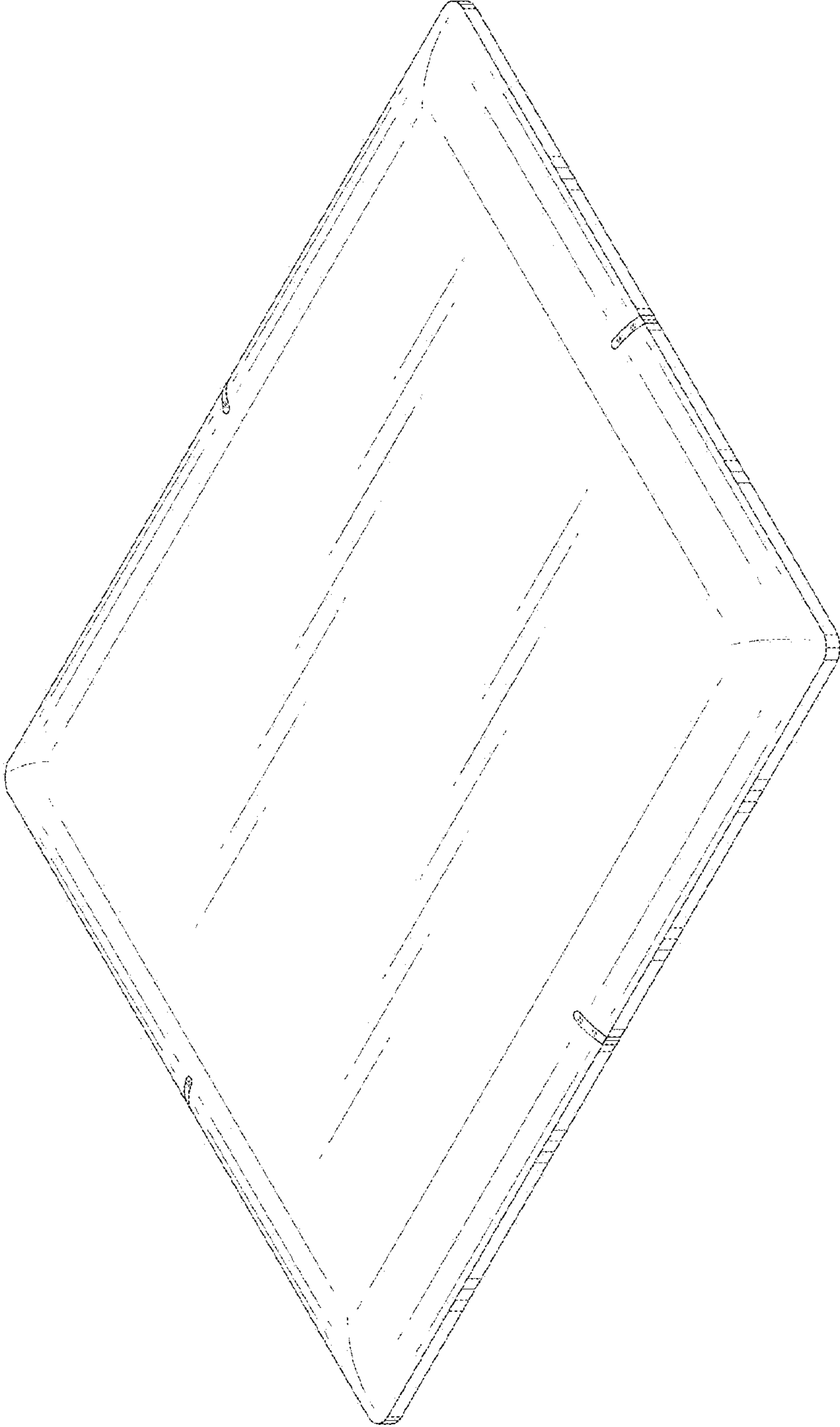


FIG. 2

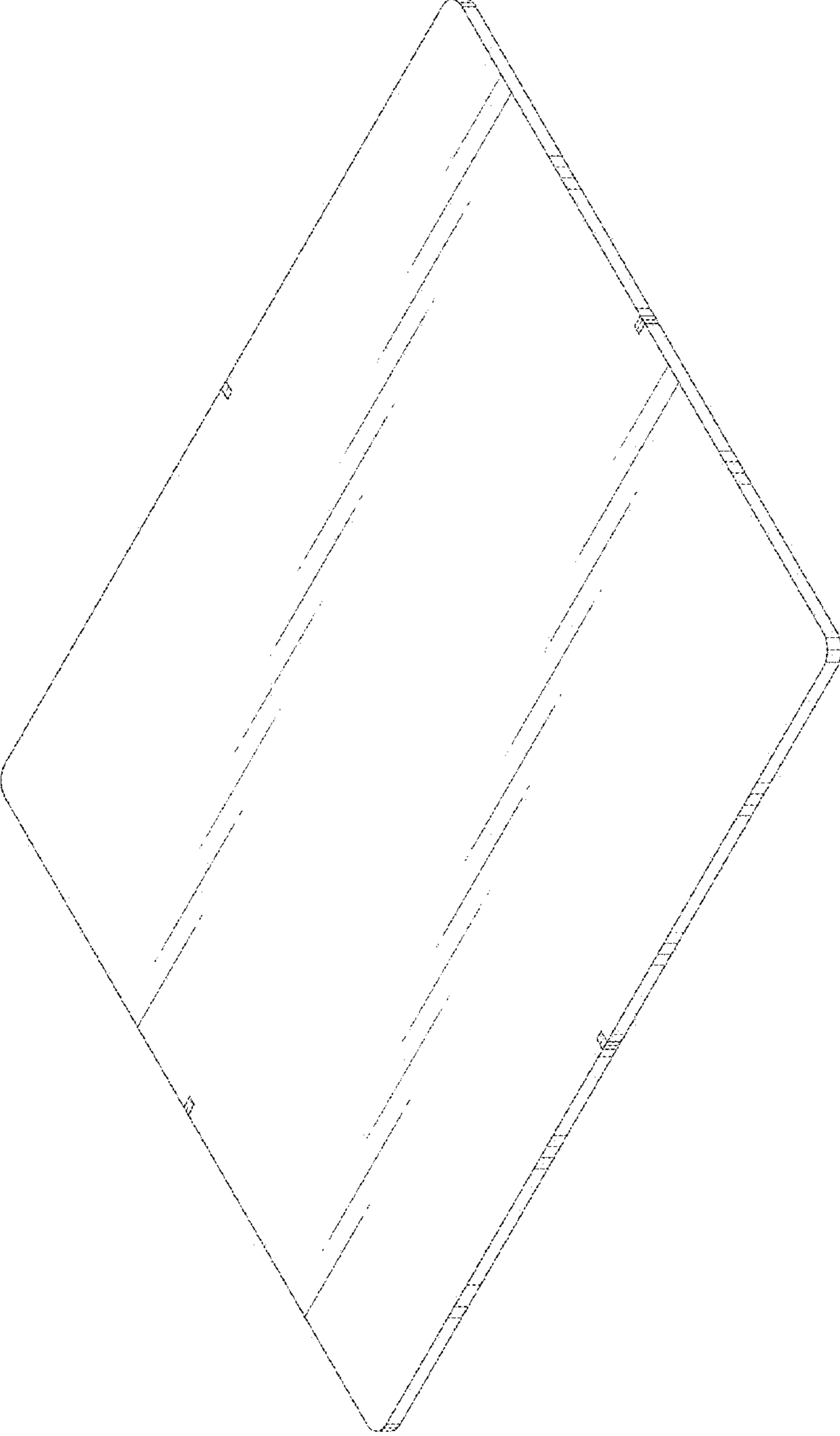


FIG.3

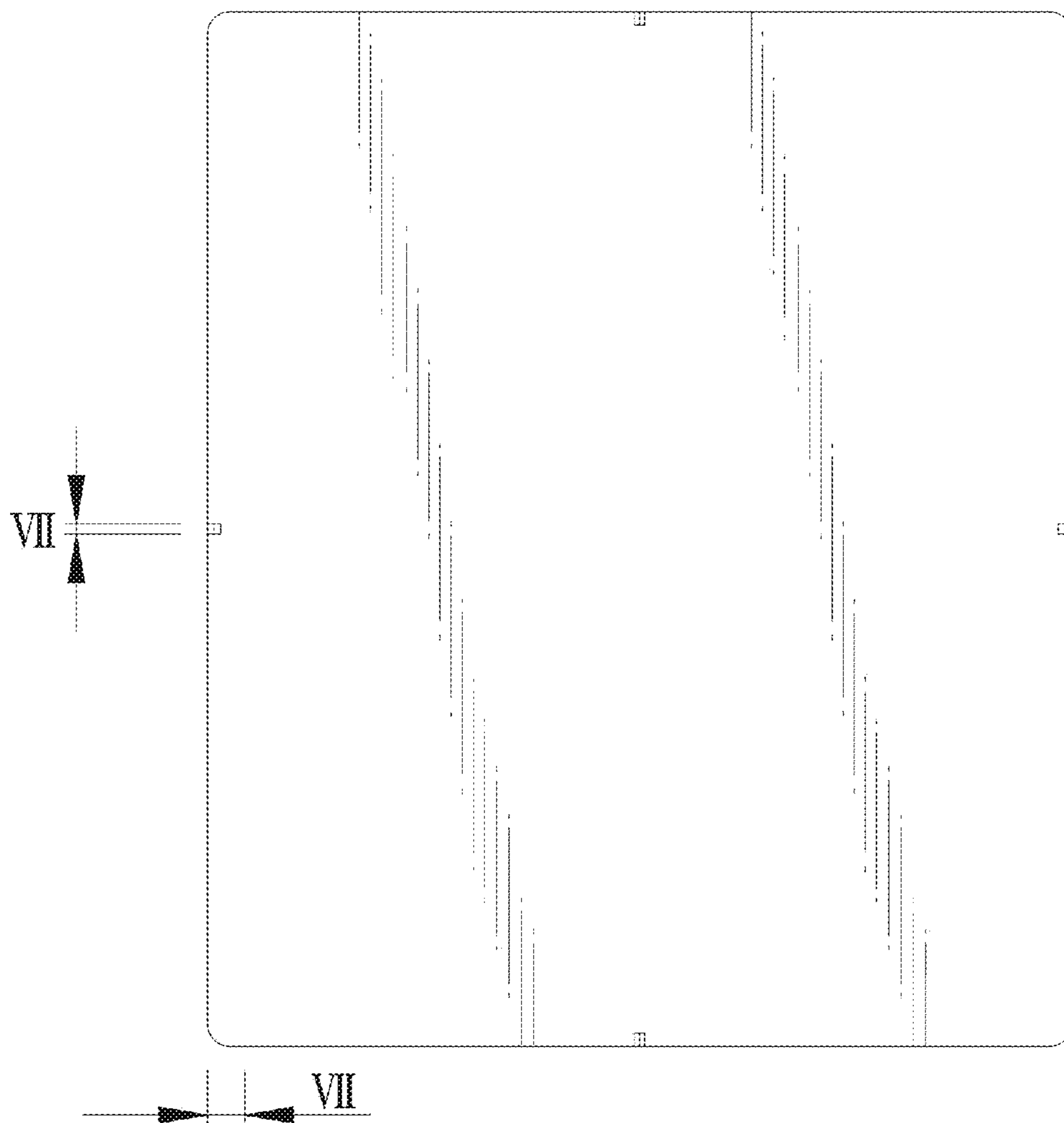


FIG. 4

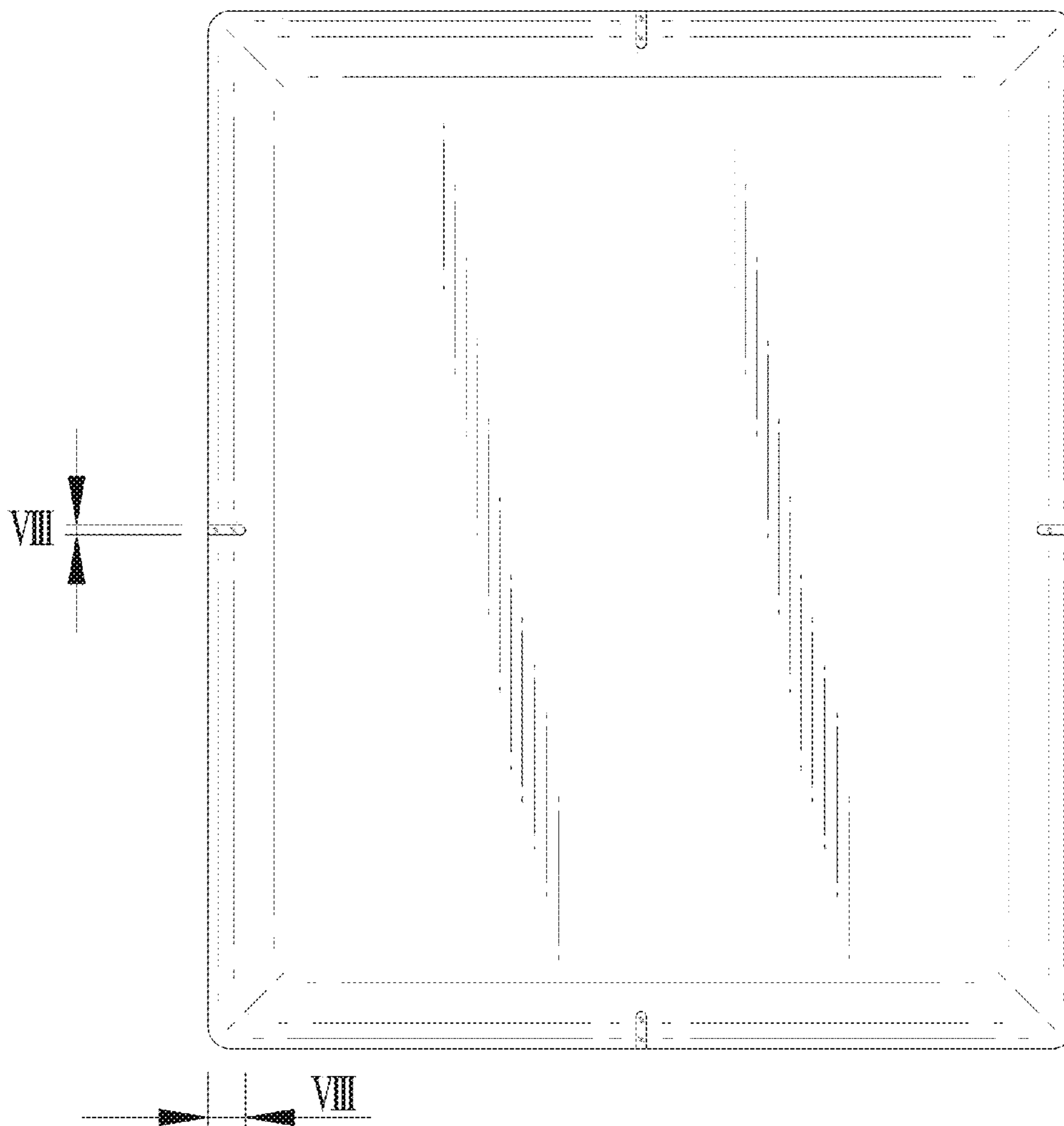


FIG.5



FIG.6

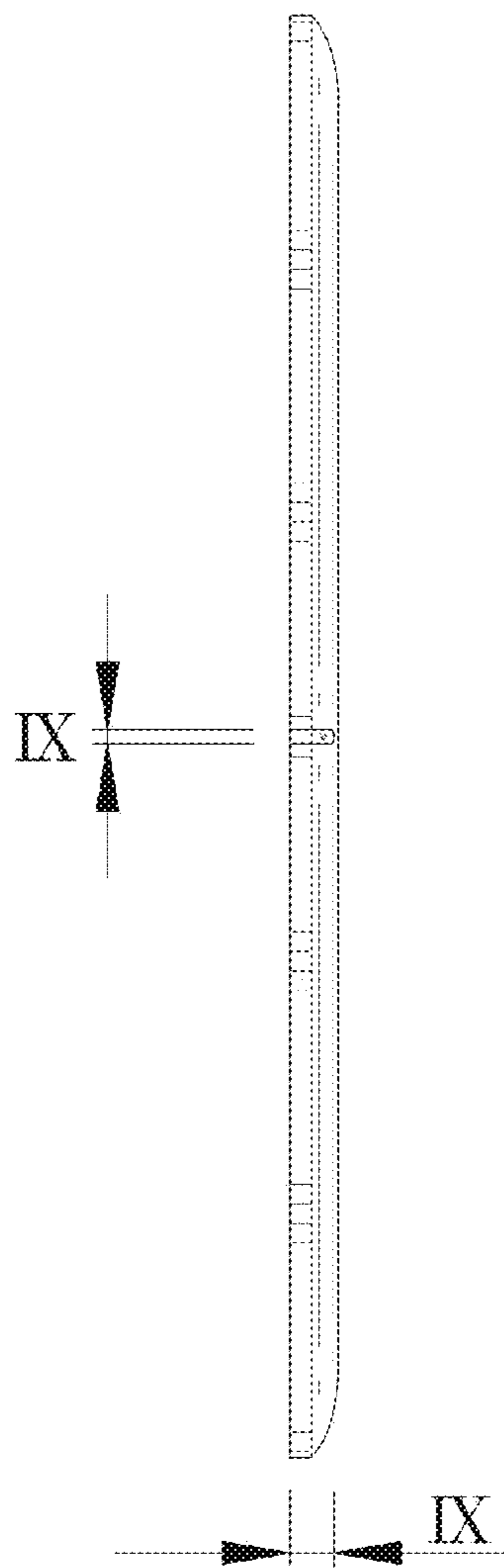


FIG. 7

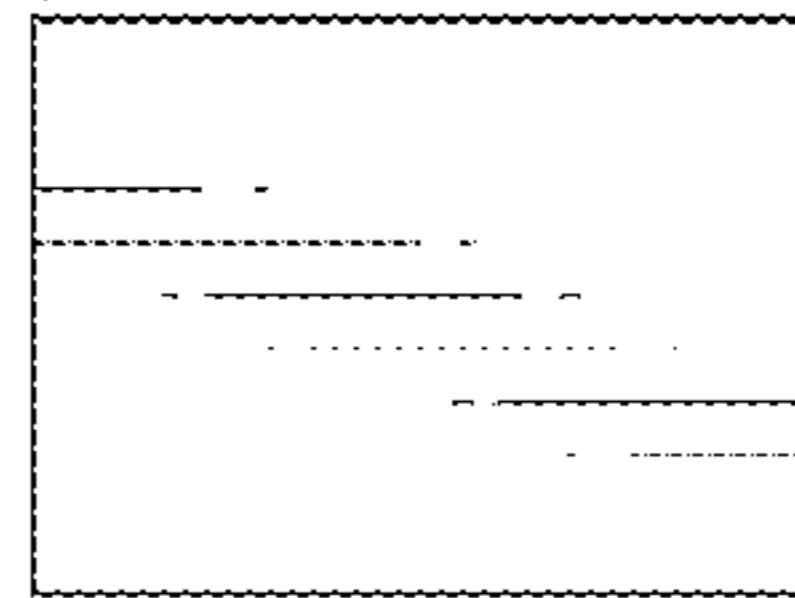


FIG. 8

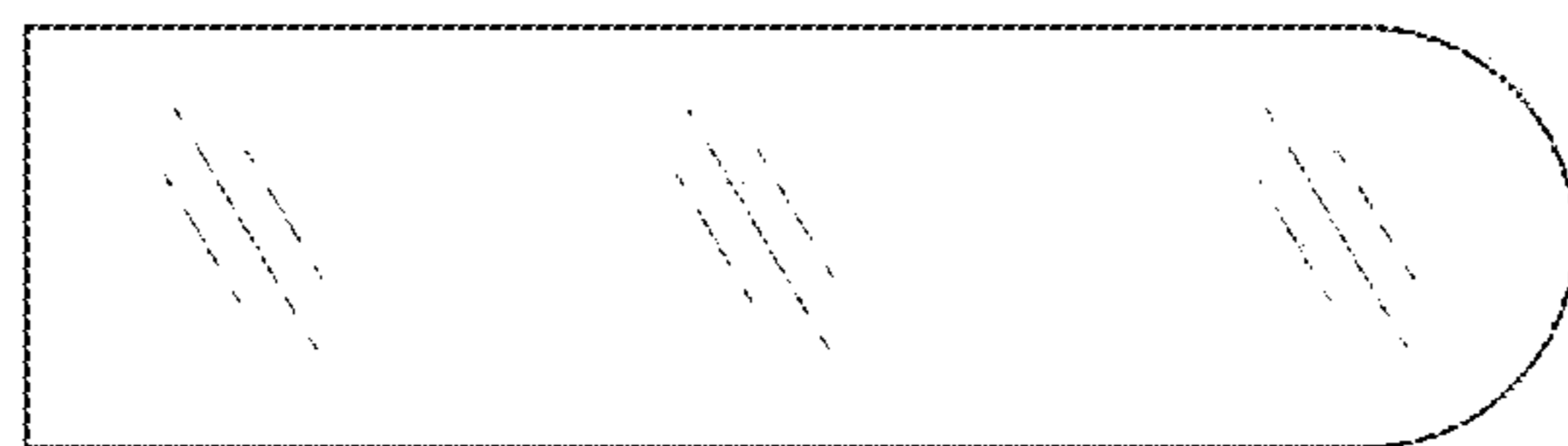


FIG. 9

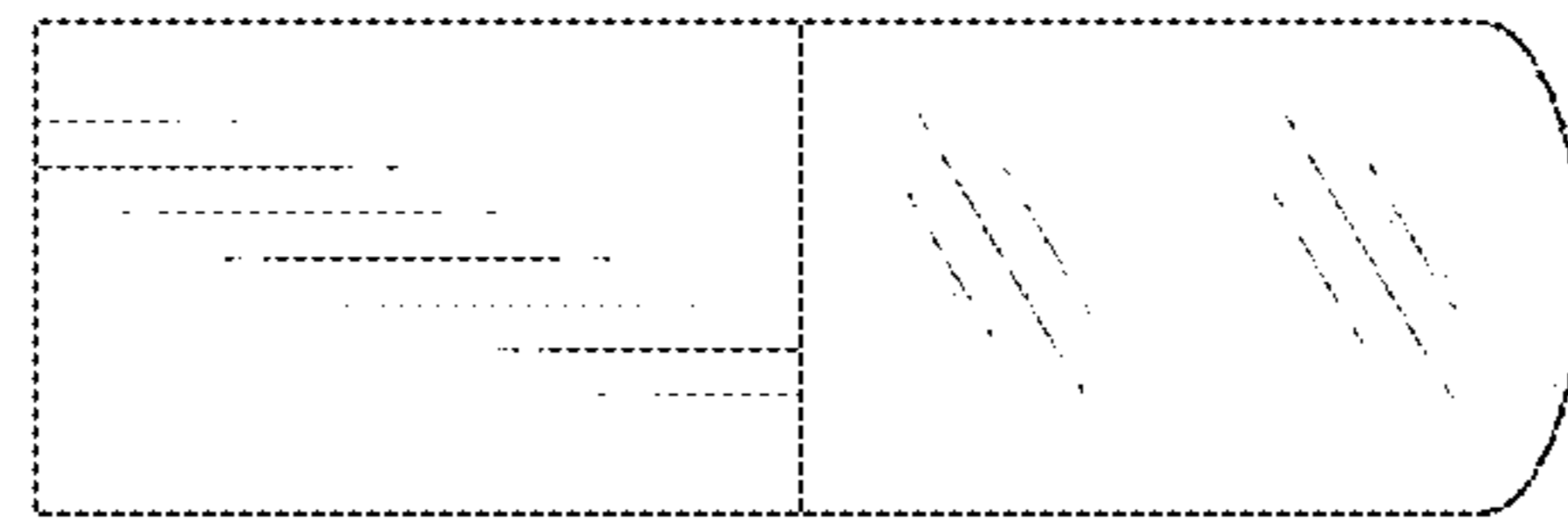


FIG. 10

