



US00D751712S

(12) **United States Design Patent**
Ogura

(10) **Patent No.:** **US D751,712 S**
(45) **Date of Patent:** **** Mar. 15, 2016**

(54) **X-RAY DIGITAL IMAGING DEVICE**

(71) Applicant: **FUJIFILM Corporation**, Tokyo (JP)

(72) Inventor: **Ryosuke Ogura**, Kanagawa (JP)

(73) Assignee: **FUJIFILM Corporation**, Tokyo (JP)

(**) Term: **14 Years**

(21) Appl. No.: **29/517,991**

(22) Filed: **Feb. 19, 2015**

(30) **Foreign Application Priority Data**

Aug. 22, 2014 (JP) 2014-018379

(51) **LOC (10) Cl.** **24-01**

(52) **U.S. Cl.**
USPC **D24/158**

(58) **Field of Classification Search**
USPC D24/158-161, 186; D16/250; D14/435,
D14/482
CPC H04N 5/367; G03B 42/04
See application file for complete search history.

(56) **References Cited**

U.S. PATENT DOCUMENTS

5,126,286 A * 6/1992 Chance H01L 23/485
257/782
5,943,390 A * 8/1999 Wendlandt G03B 42/04
250/483.1
D659,249 S * 5/2012 Ogura D24/161
D680,119 S * 4/2013 Nilsson D14/435

D680,545 S * 4/2013 Nilsson D14/435
D683,459 S * 5/2013 Haltof D24/161
D714,444 S * 9/2014 Ogura D24/158
D716,947 S * 11/2014 Ogura D24/158
D727,502 S * 4/2015 Sul D24/158

* cited by examiner

Primary Examiner — Anhdao Doan

(74) *Attorney, Agent, or Firm* — Young & Thompson

(57) **CLAIM**

The ornamental design for an X-ray digital imaging device, as shown and described.

DESCRIPTION

FIG. 1 is a top, rear and right side perspective view of an X-ray digital imaging device showing my new design;
FIG. 2 is a top, front and left side perspective view thereof;
FIG. 3 is a front elevational view thereof;
FIG. 4 is a rear elevational view thereof;
FIG. 5 is a top plan view thereof;
FIG. 6 is a right side elevational view thereof;
FIG. 7 is a left side elevational view thereof;
FIG. 8 is an enlarged view of a portion defined between arrowheads VIII-VIII of FIG. 4;
FIG. 9 is an enlarged view of a portion defined between arrowheads IX-IX of FIG. 6; and,
FIG. 10 is an enlarged view of a portion defined between arrowheads VIII-VIII and arrowheads IX-IX of FIGS. 4 and 6.

The broken line portions of the X-ray digital imaging device throughout the drawings are shown to illustrate environment only and form no part of the claimed design.
The dash-dot broken lines in FIGS. 1, 4, 6, 8, 9 and 10 define the bounds of the claimed design and form no part thereof.

1 Claim, 8 Drawing Sheets

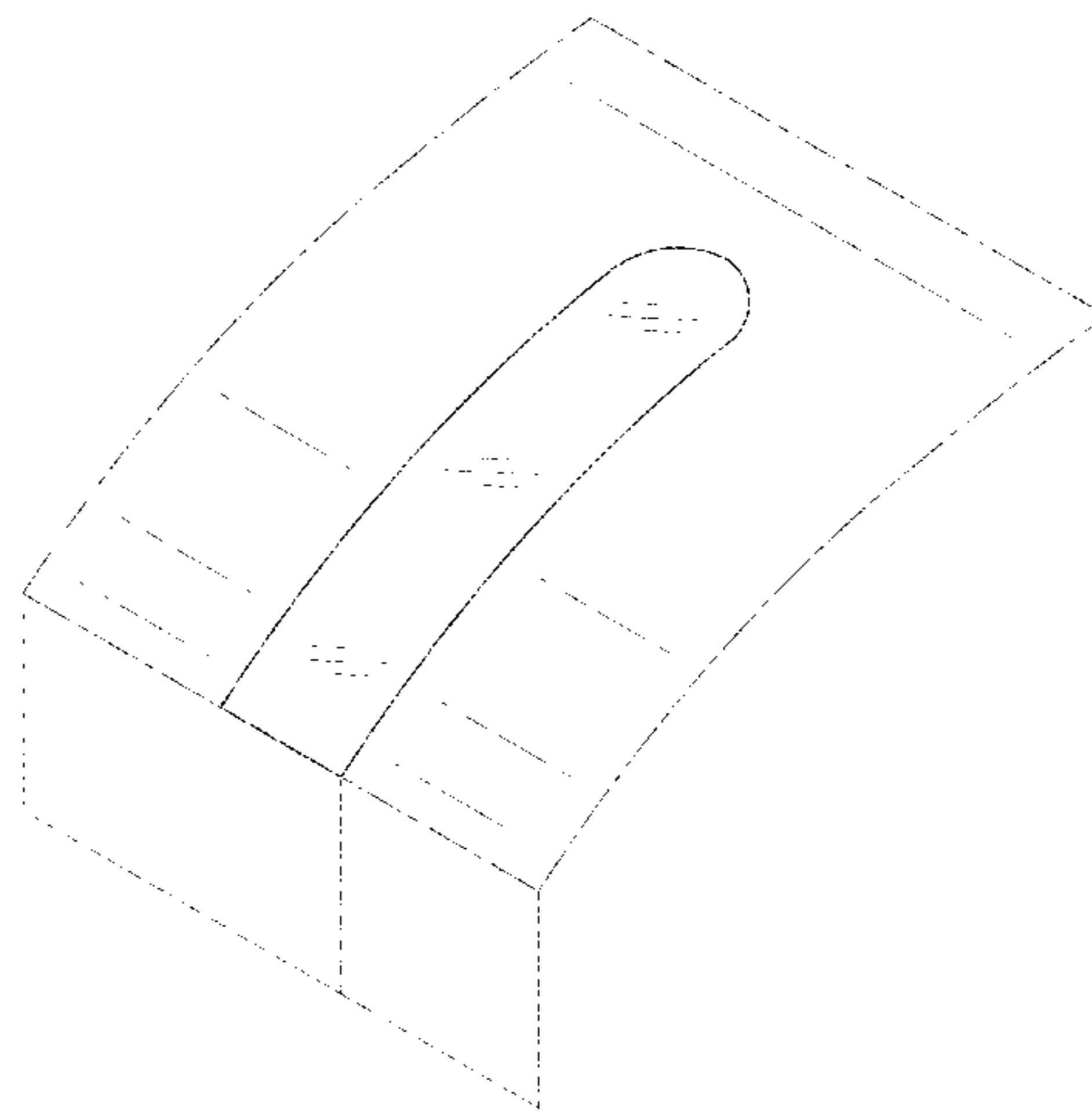
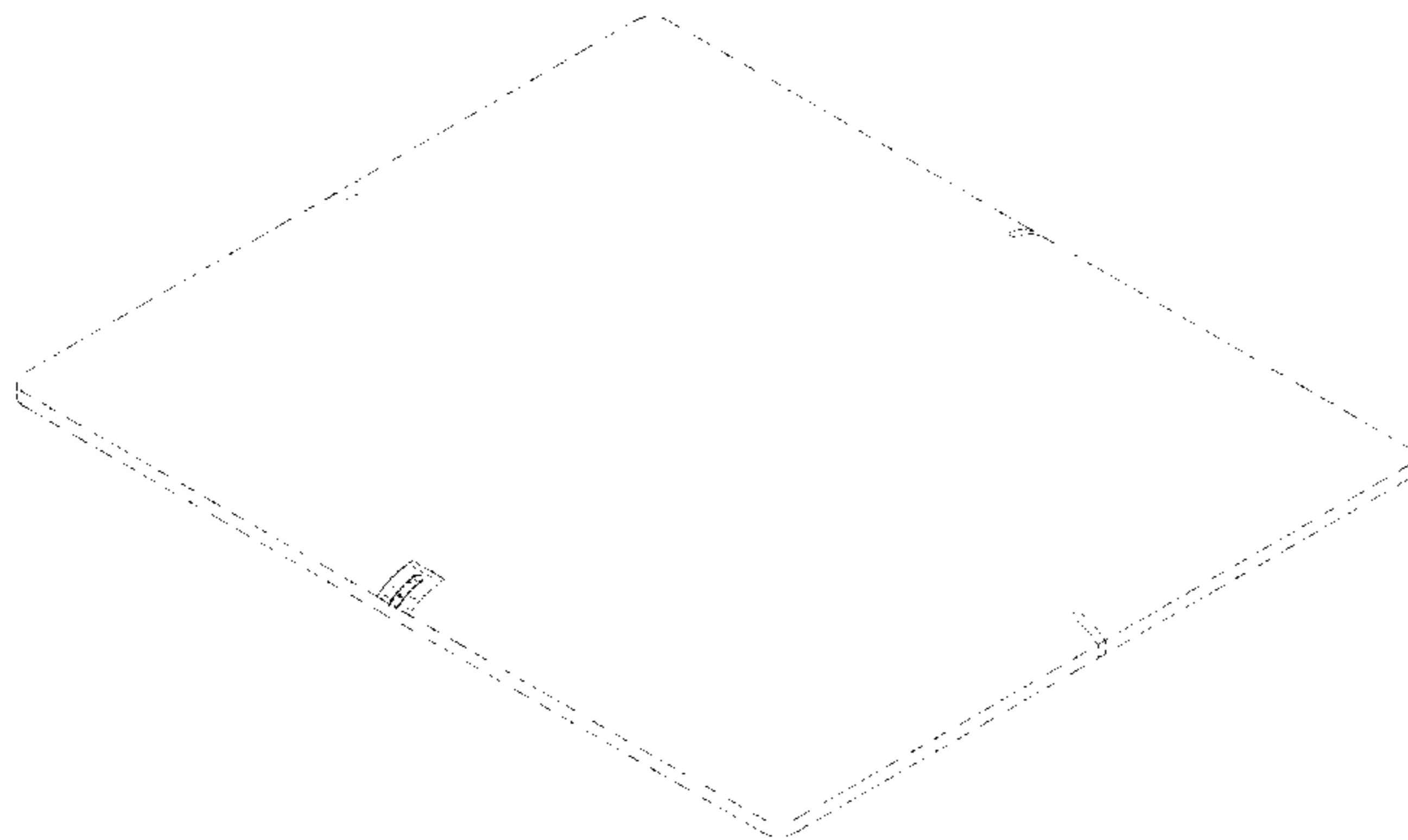


FIG. 1

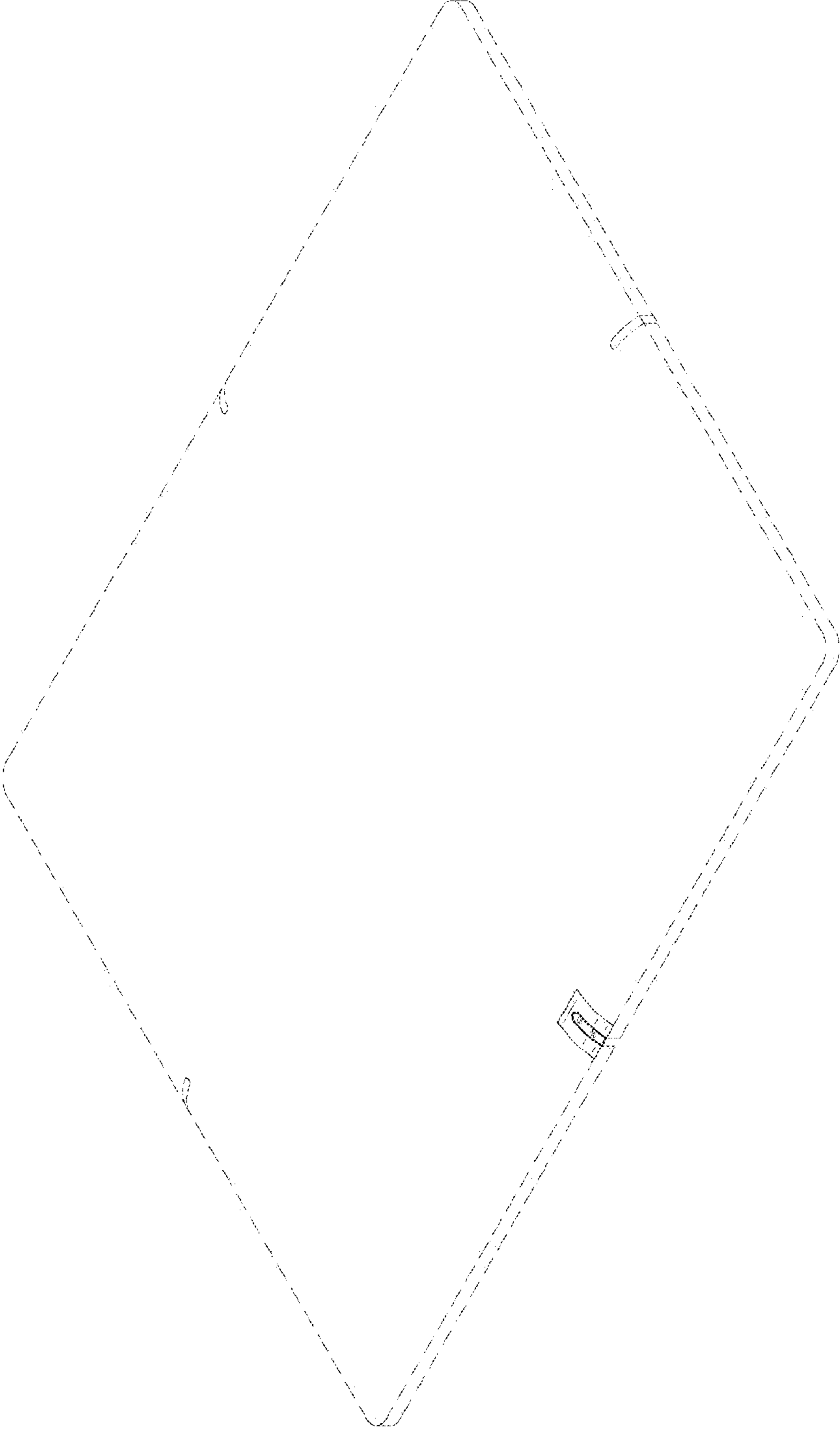


FIG. 2

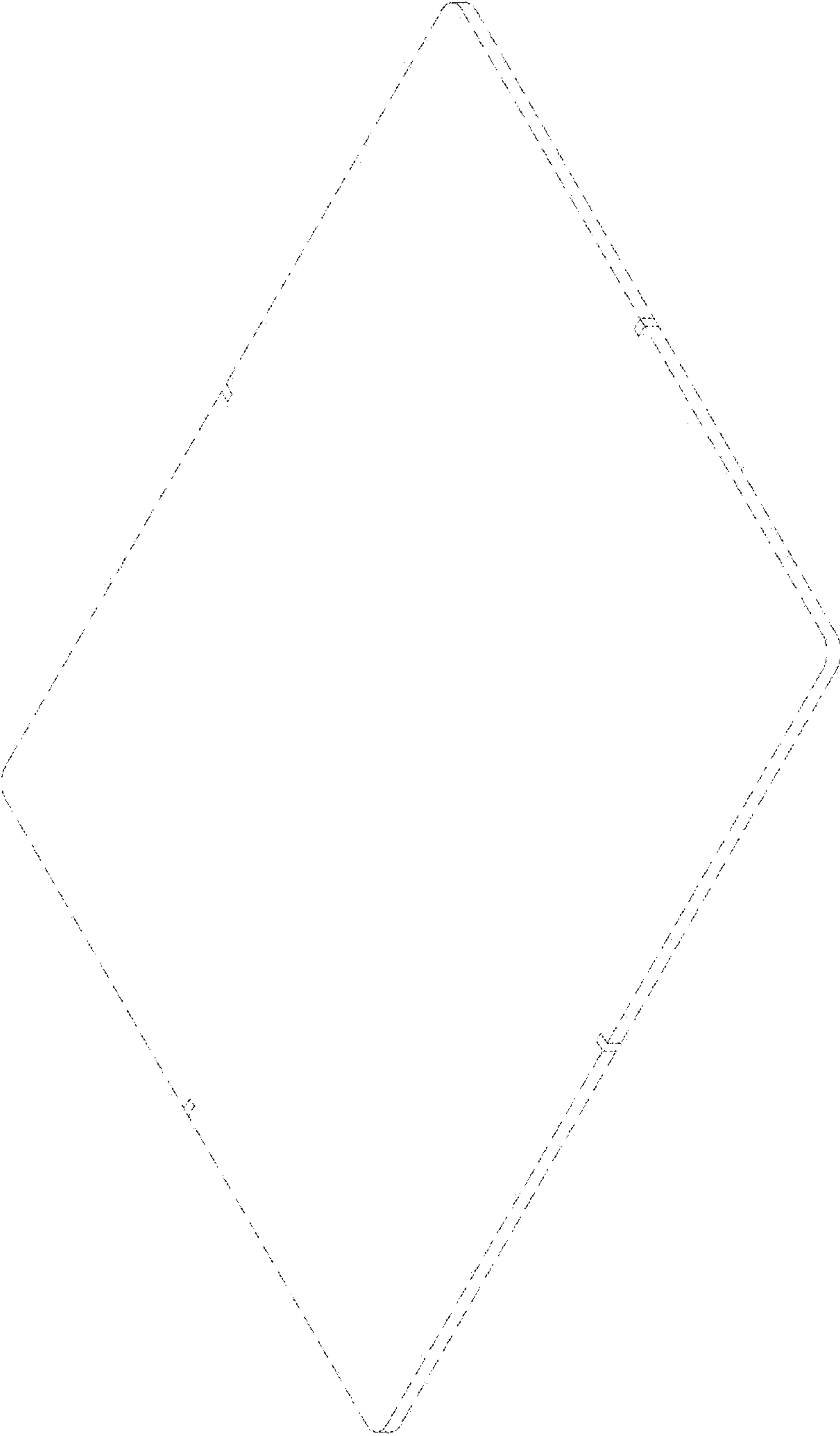


FIG.3

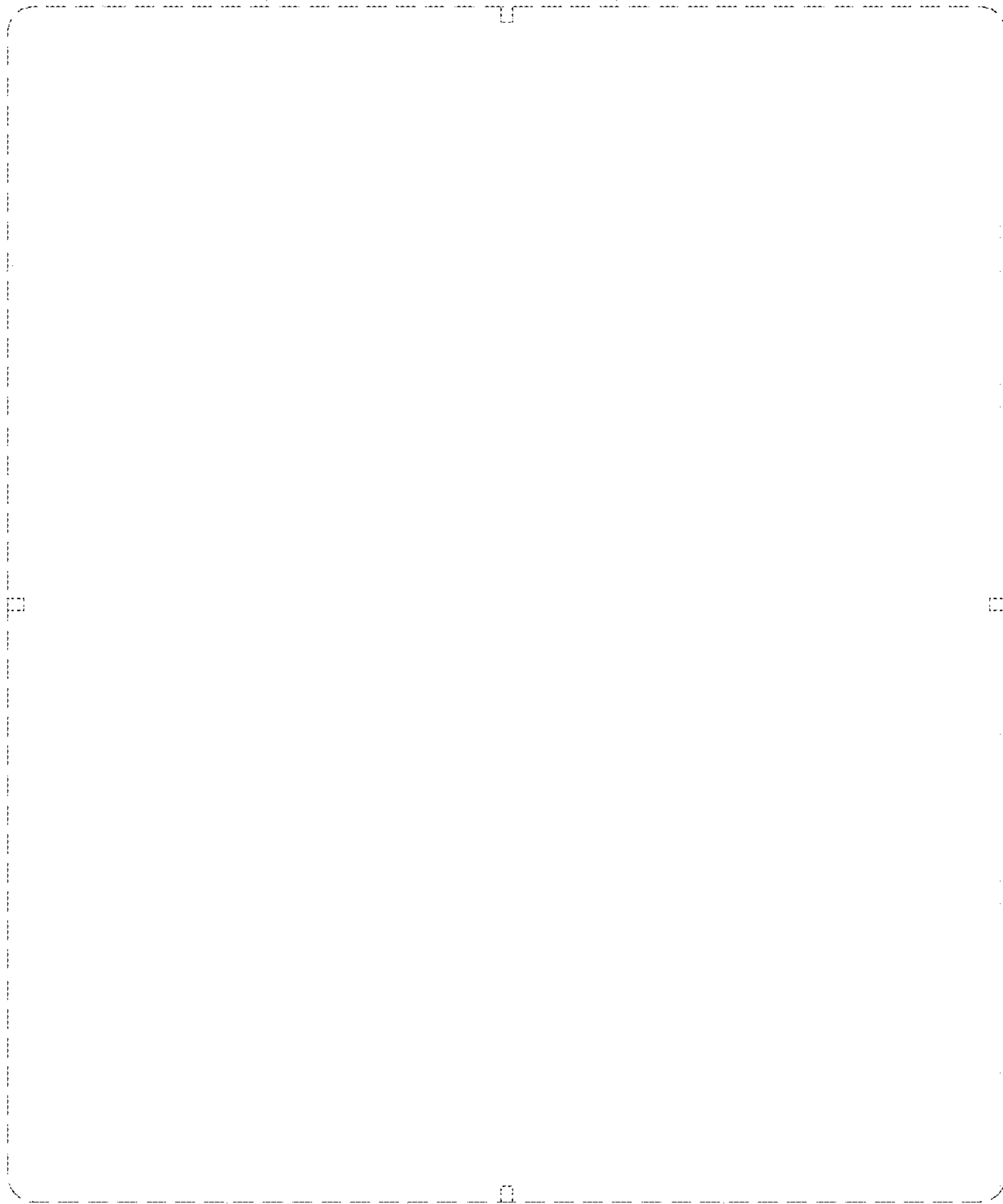


FIG. 4

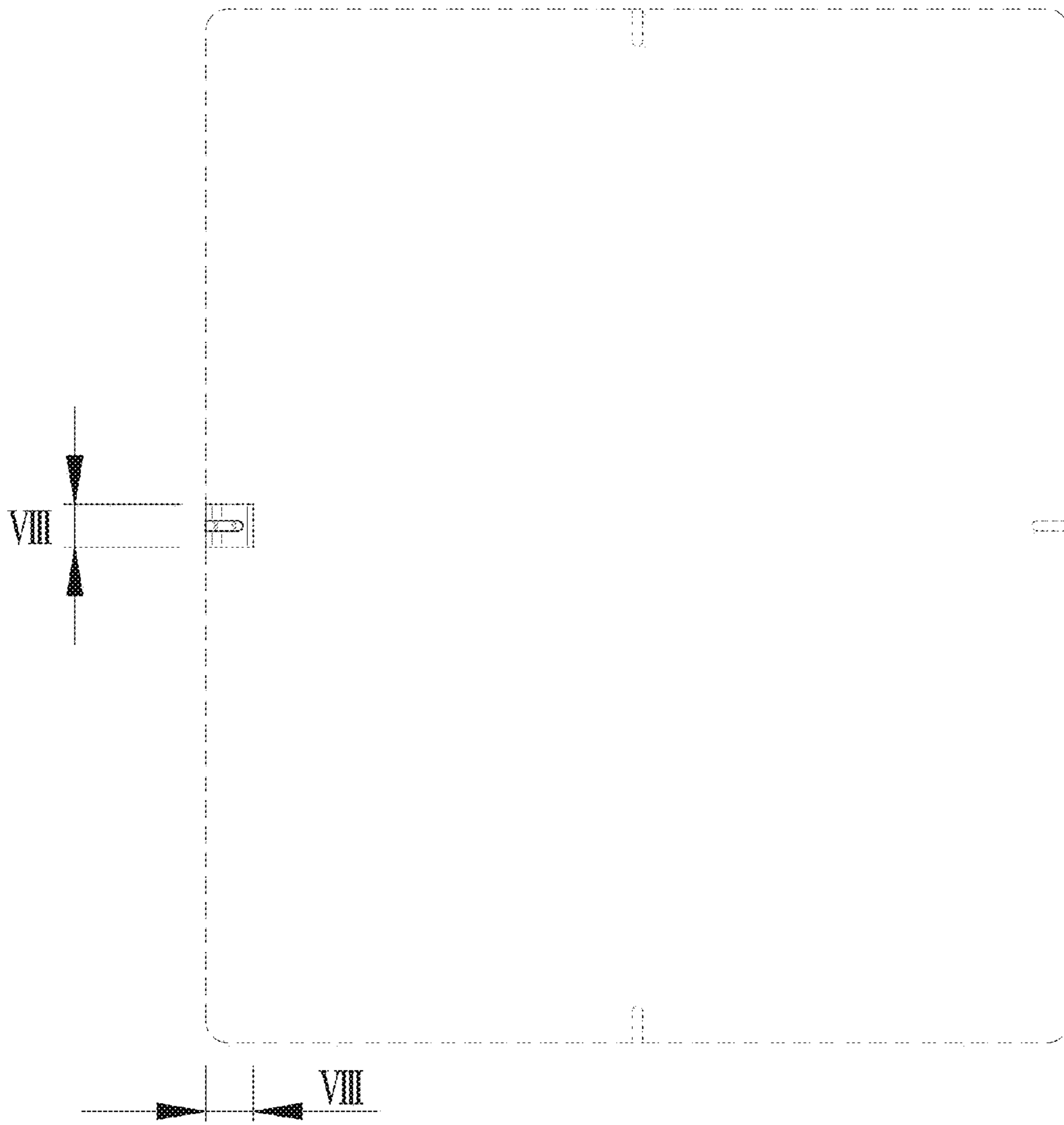


FIG.5

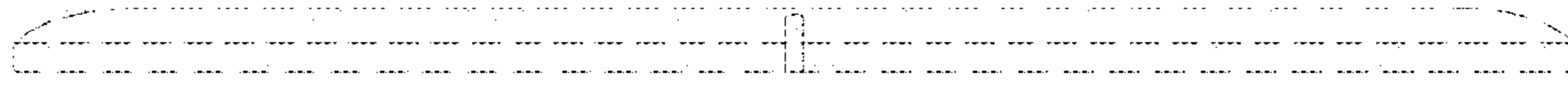


FIG.6

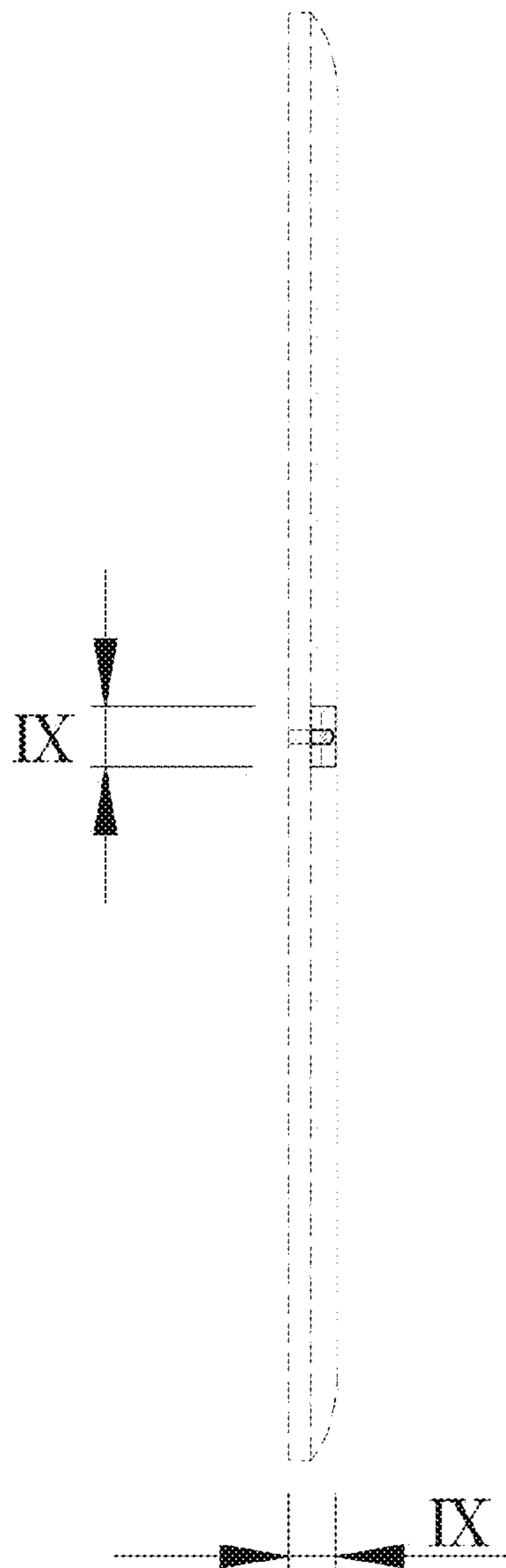


FIG. 7

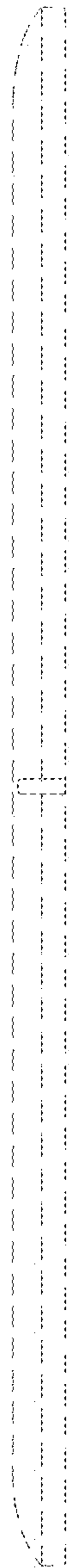


FIG. 8

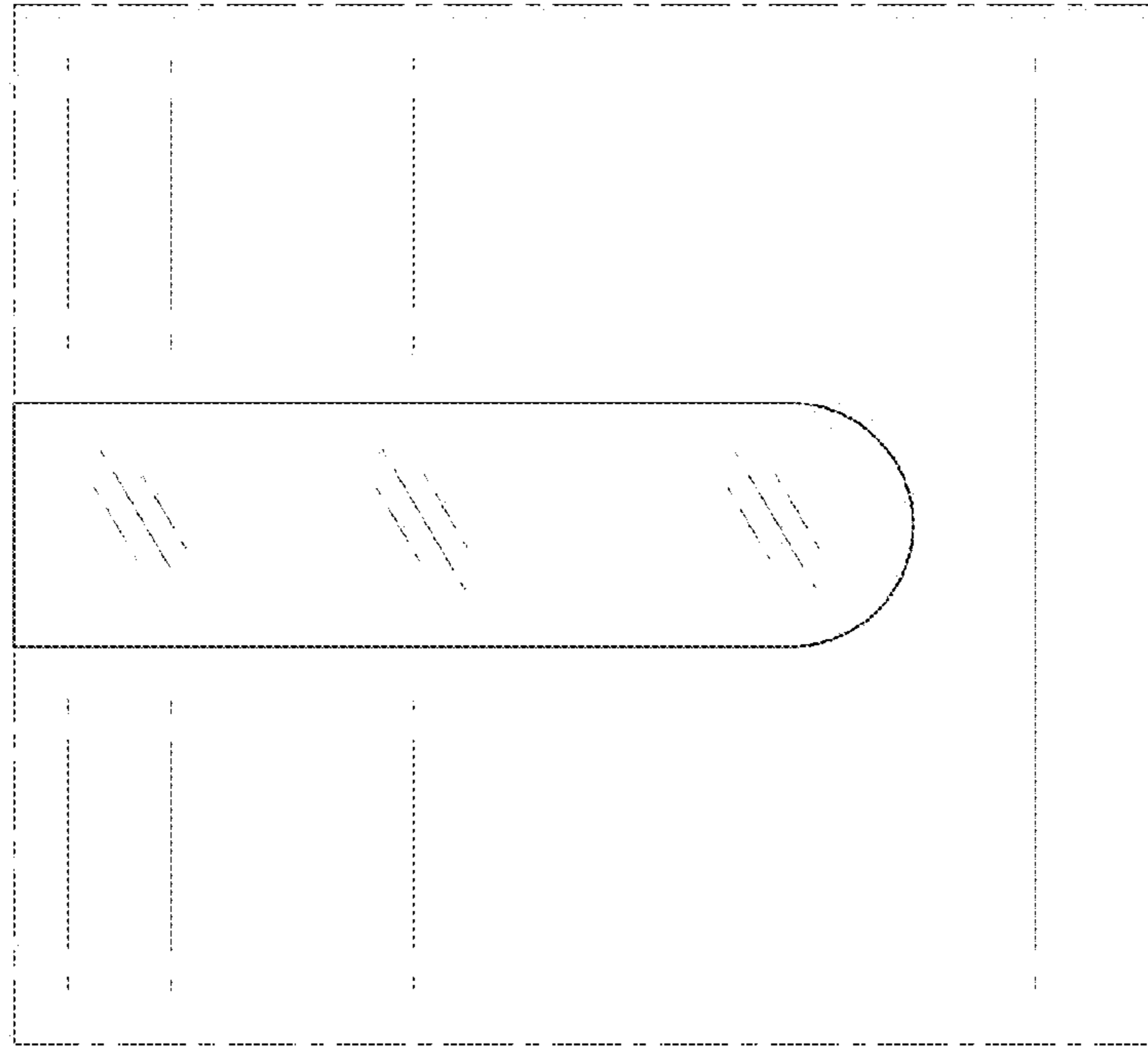


FIG. 9

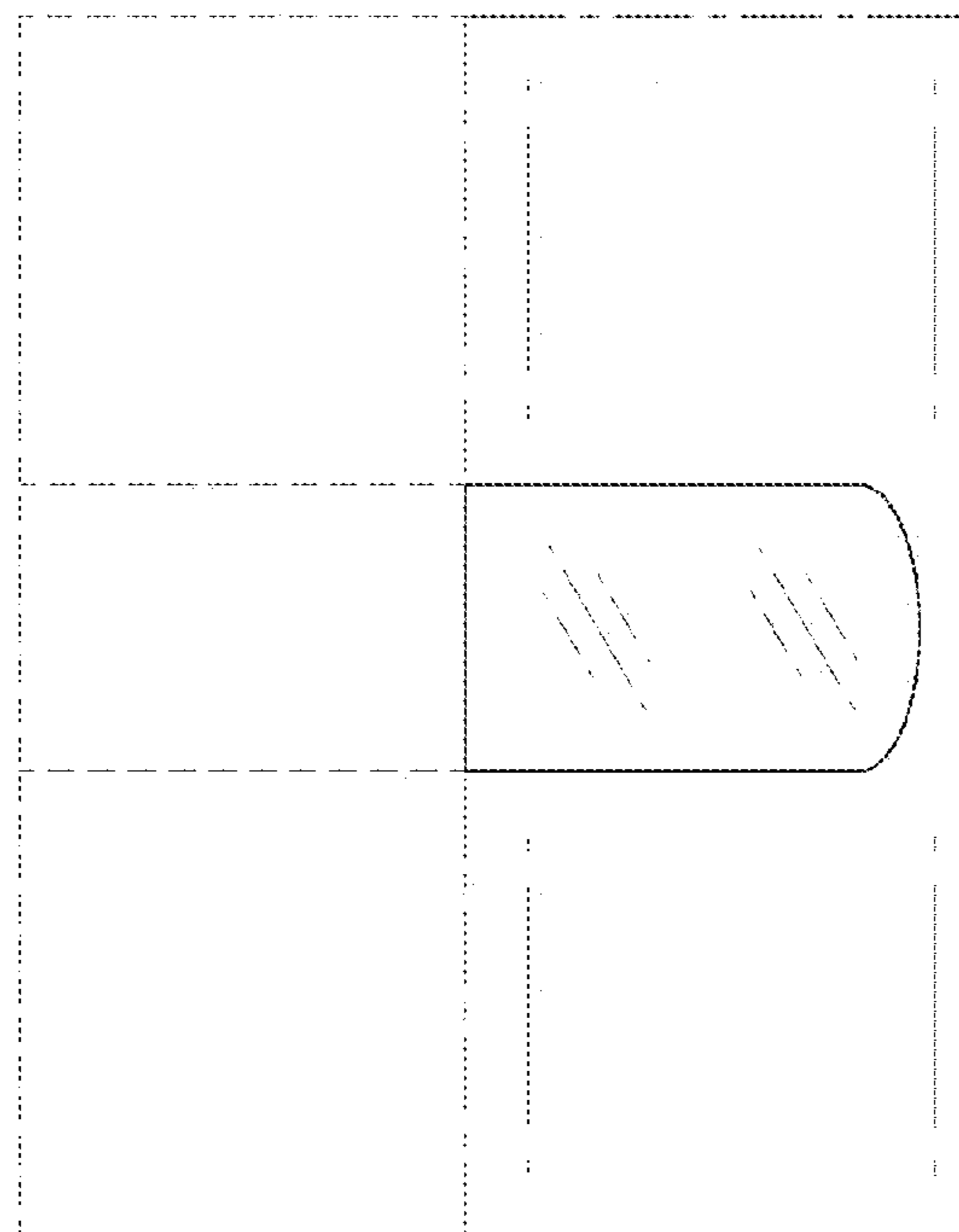


FIG. 10

