



US00D751710S

(12) **United States Design Patent**
Ballsieper

(10) **Patent No.:** **US D751,710 S**
(45) **Date of Patent:** **** Mar. 15, 2016**

(54) **X-RAY SHIELD**
(71) Applicant: **Mavig GmbH**, München (DE)
(72) Inventor: **Barbara Ballsieper**, München (DE)
(73) Assignee: **MAVIG GmbH**, München (DE)
(**) Term: **14 Years**
(21) Appl. No.: **29/503,390**
(22) Filed: **Sep. 25, 2014**

D310,905 S 10/1990 Marchione
D349,577 S * 8/1994 Sayles D24/232
D424,198 S 5/2000 Shepherd et al.
6,703,632 B1 * 3/2004 Macklis G21F 3/00
250/515.1
D504,194 S * 4/2005 Canavan D29/110
D556,324 S 11/2007 Oddsdottir et al.
7,294,845 B2 11/2007 Ballsieper
D569,044 S * 5/2008 Crye D29/100
7,608,847 B2 * 10/2009 Rees G21F 3/02
2/117
7,744,278 B2 6/2010 Barkow et al.
D629,109 S 12/2010 Phillips

(Continued)

(30) **Foreign Application Priority Data**

Jun. 17, 2014 (EM) 002484469

(51) **LOC (10) Cl.** **24-01**

(52) **U.S. Cl.**
USPC **D24/158**

(58) **Field of Classification Search**
USPC D24/158-161, 231; D29/100, 101.1;
D2/860, 861; 378/203, 204, 210;
250/515.1, 516.1, 519.1; 976/DIG. 335
CPC A61B 6/107; G21F 3/00; G21F 3/02;
G21Y 2004/30
See application file for complete search history.

(56) **References Cited**

U.S. PATENT DOCUMENTS

1,636,419 A 7/1927 Hollander
2,239,223 A 4/1941 Gilman
2,794,128 A 5/1957 Shasky
D238,615 S 1/1976 Maier
D241,378 S 9/1976 Burger
D249,278 S 9/1978 Milligan
4,196,355 A 4/1980 Maine
4,254,341 A 3/1981 Herr et al.
D259,139 S 5/1981 Johnson
D300,945 S 5/1989 Fleming et al.
4,923,162 A * 5/1990 Fleming A61B 6/107
248/276.1

FOREIGN PATENT DOCUMENTS

CN 201375521 Y 1/2010
JP 2000-166916 A 6/2000
KR 10-2012-0084574 A 7/2012

OTHER PUBLICATIONS

Radiation Protection Shields & Drapes of the company Radpad, USA
(www.radpad.com), 3 pages.

(Continued)

Primary Examiner — Anhdao Doan
(74) *Attorney, Agent, or Firm* — Nixon & Vanderhye P.C.

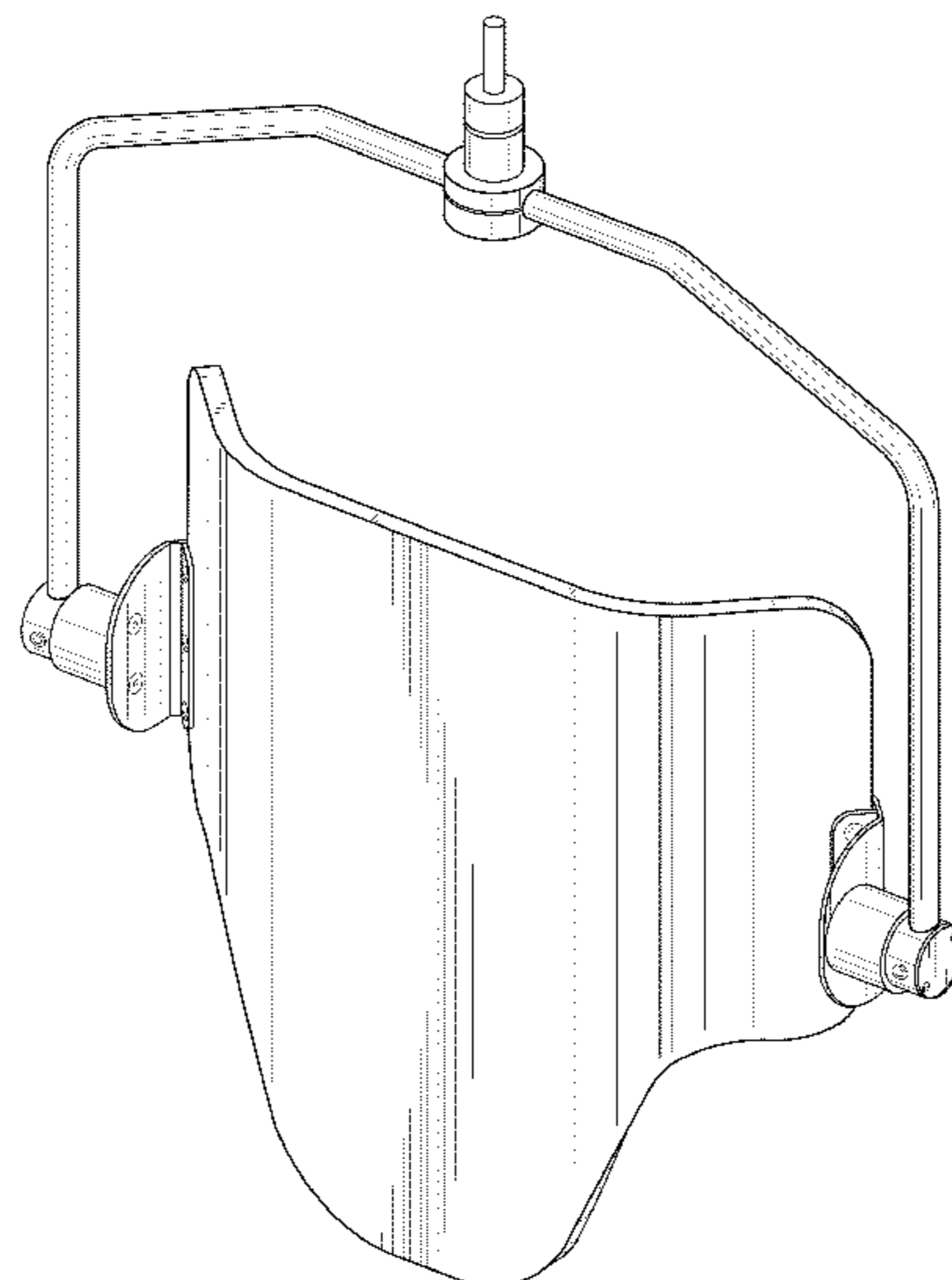
(57) **CLAIM**

The ornamental design for an X-ray shield, as shown and described.

DESCRIPTION

FIG. 1 is a front perspective view of the X-ray shield showing my new ornamental design;
FIG. 2 is a rear view thereof;
FIG. 3 is a right side view thereof with the left side view being a mirror image thereof; and,
FIG. 4 is a top view thereof.

1 Claim, 4 Drawing Sheets



(56)

References Cited

U.S. PATENT DOCUMENTS

D629,110	S	12/2010	Brettle et al.	
D716,449	S	10/2014	Ballsieper	
2009/0323892	A1*	12/2009	Hitzke	A61B 6/107 378/37
2012/0186590	A1*	7/2012	Byers	A61B 6/107 128/849
2013/0270462	A1*	10/2013	Beck	G21F 3/02 250/516.1
2013/0299723	A1*	11/2013	Murase	G21F 3/00 250/515.1
2015/0041686	A1	2/2015	Pizarro	

OTHER PUBLICATIONS

Radiation Protection Covers, Kenex, Great Britain, www.kenex.co.uk.

Radiation Protection Covers, Aadco, U.S.A., www.aadcomed.com.

Radiation Protection Covers, Beijing Huaren, China, bjuaren.com.

Radiation Protection Covers, Mavig, USA.

U.S. Appl. No. 29/466,485, filed Sep. 9, 2013, Ballsieper.

U.S. Appl. No. 29/502,311, filed Sep. 15, 2014, Ballsieper.

* cited by examiner

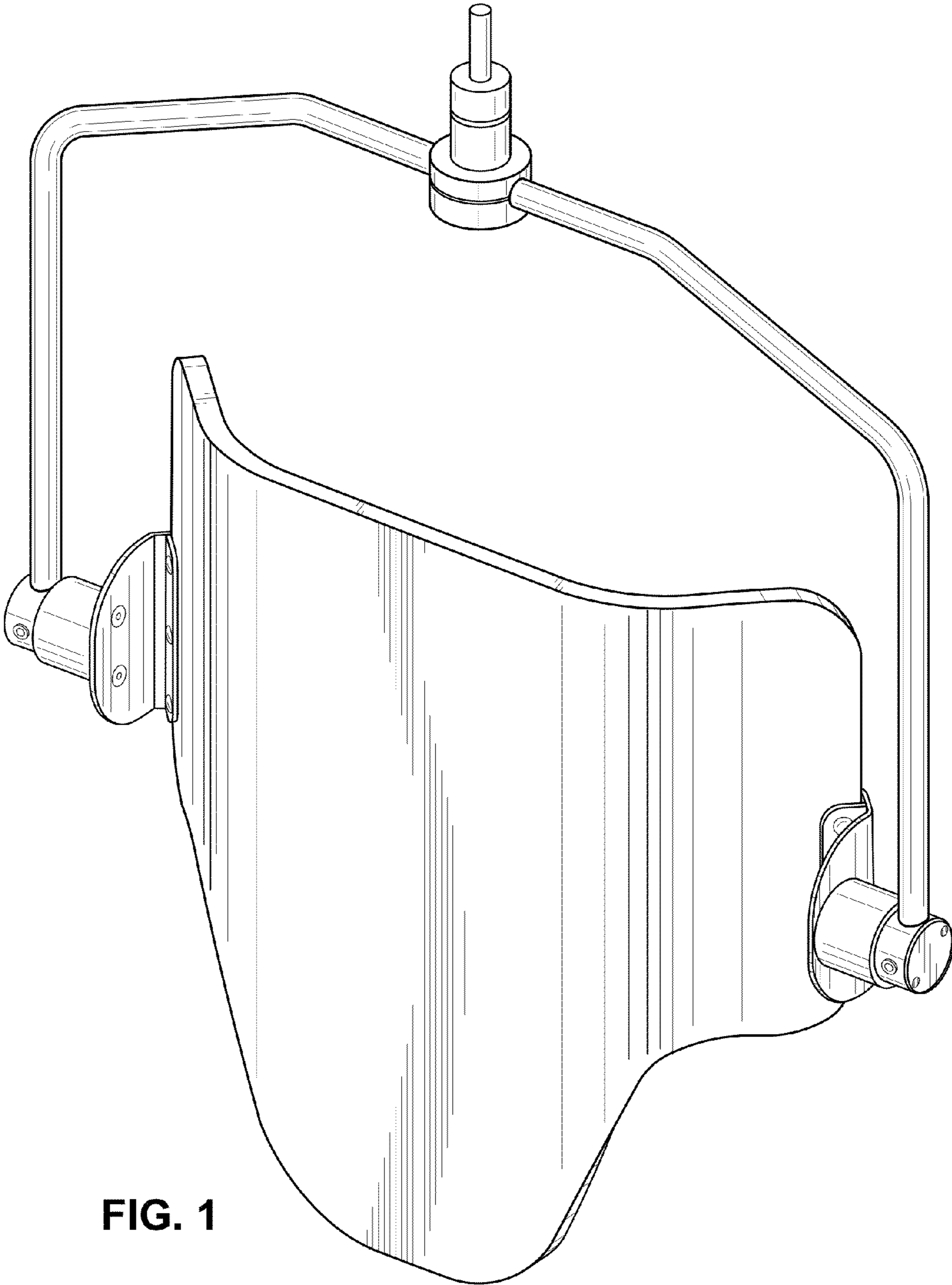


FIG. 1

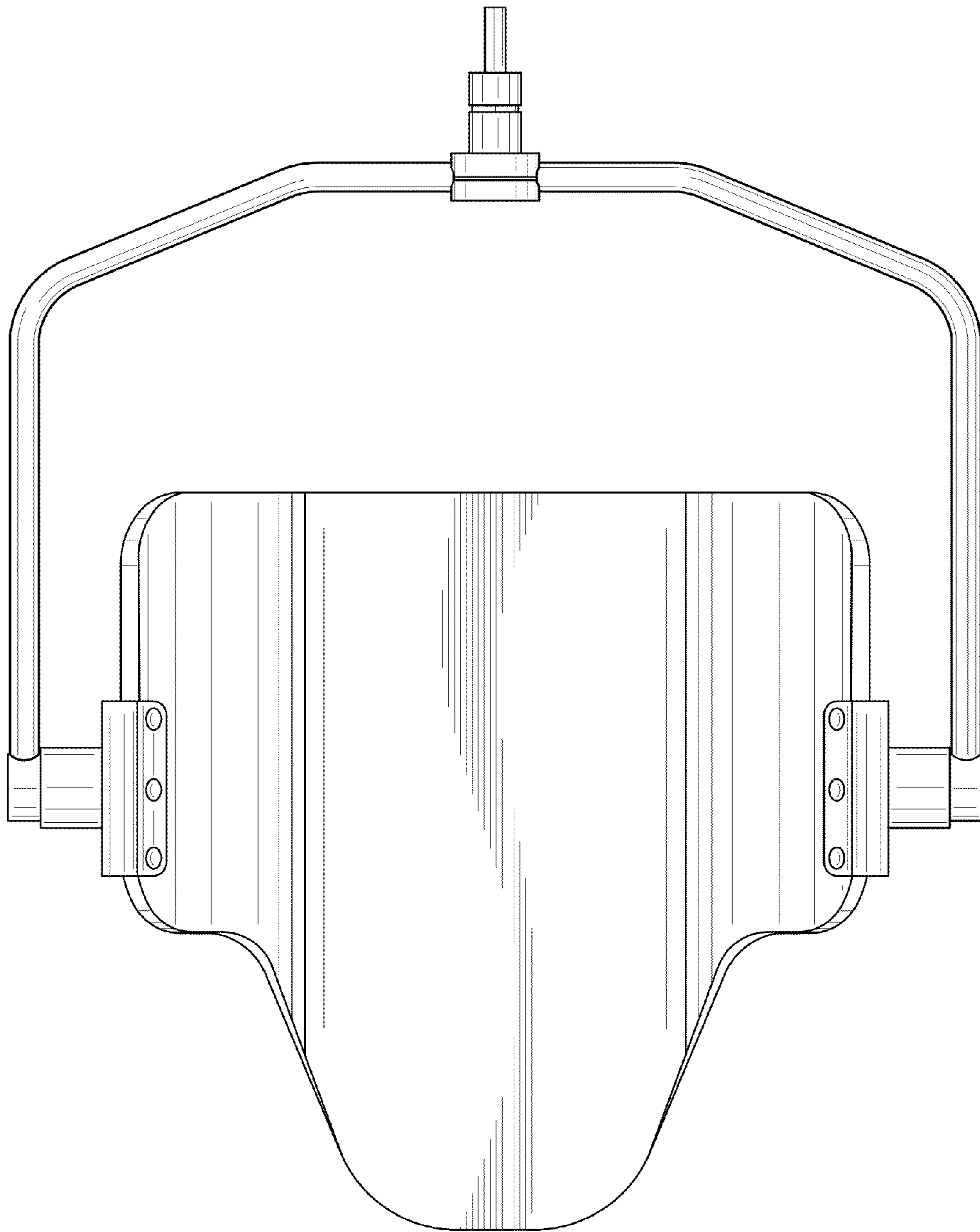


FIG. 2

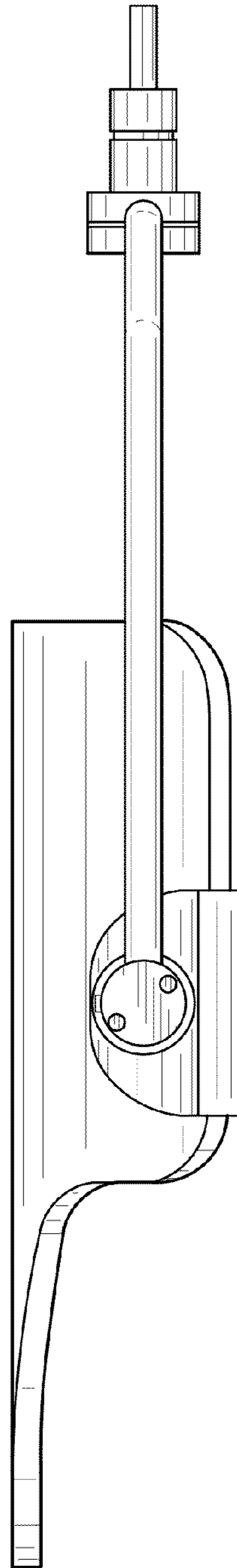


FIG. 3

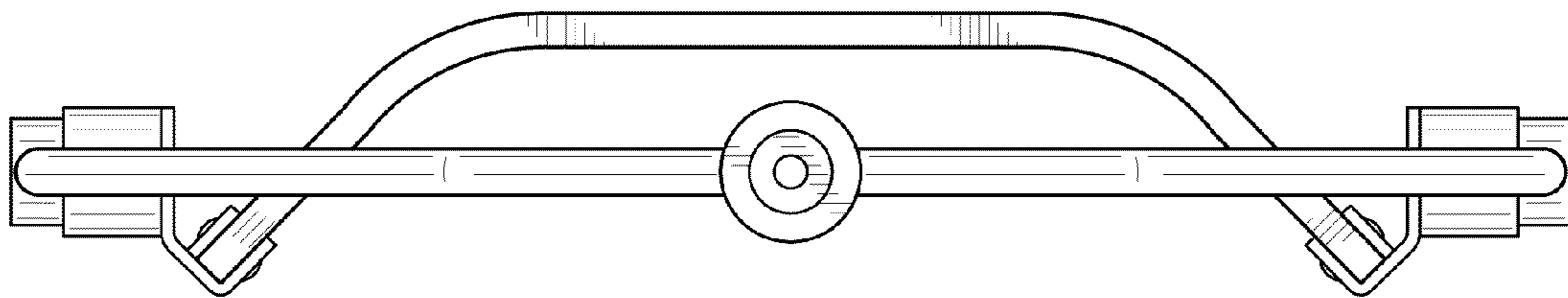


FIG. 4