



US00D751709S

(12) **United States Design Patent**
Lui

(10) **Patent No.:** **US D751,709 S**
(45) **Date of Patent:** **** Mar. 15, 2016**

- (54) **DENTAL IMPLANT ABUTMENT**
- (71) Applicant: **Benedict Lui**, Mississauga (CA)
- (72) Inventor: **Benedict Lui**, Mississauga (CA)
- (**) Term: **15 Years**
- (21) Appl. No.: **29/529,346**
- (22) Filed: **Jun. 5, 2015**

5,823,776 A	10/1998	Duerr et al.	
5,984,680 A	11/1999	Rogers	
5,993,213 A	11/1999	Frischherz et al.	
6,024,567 A *	2/2000	Callan	A61C 8/0048 433/173
D441,448 S	5/2001	Kumar	
6,648,643 B2	11/2003	Hollander et al.	
6,663,388 B1	12/2003	Schär et al.	
6,672,872 B2	1/2004	Cottrell	
D486,914 S *	2/2004	Schulter	D24/156
6,726,480 B1	4/2004	Sutter	
D493,535 S *	7/2004	Whitehead	D24/156
D507,052 S *	7/2005	Wohrle	D24/156
D511,833 S *	11/2005	Wohrle	D24/156
7,014,464 B2	3/2006	Niznick	

Related U.S. Application Data

- (62) Division of application No. 29/449,906, filed on Mar. 15, 2013, now Pat. No. Des. 731,655.

- (51) **LOC (10) Cl.** **24-02**
- (52) **U.S. Cl.**
USPC **D24/156**

- (58) **Field of Classification Search**
USPC D24/155-157
CPC .. A61C 8/0089; A61C 8/0069; A61C 8/0054;
A61C 8/00; A61C 8/0096; A61C 8/0039;
A61C 8/0063; A61C 8/006; A61C 8/0001;
A61C 8/0012; A61C 8/0075; A61C 13/225
See application file for complete search history.

(56) **References Cited**

U.S. PATENT DOCUMENTS

D296,362 S	6/1988	Branemark	
4,960,381 A	10/1990	Niznick	
5,116,225 A	5/1992	Riera	
5,125,840 A	6/1992	Dürr et al.	
5,169,309 A	12/1992	Staubli et al.	
5,195,892 A	3/1993	Gersberg	
D356,869 S *	3/1995	Holmen	D24/156
5,433,606 A	7/1995	Niznick et al.	
D362,720 S *	9/1995	Holmen	D24/155
5,449,291 A	9/1995	Lueschen et al.	
5,674,069 A *	10/1997	Osorio	A61C 8/005 433/172
5,779,480 A *	7/1998	Groll	A61C 8/005 433/172

(Continued)

FOREIGN PATENT DOCUMENTS

EP	0636347 B1	12/1998
EP	0801544 B1	12/1998

(Continued)

Primary Examiner — Susan Bennett Hattan
Assistant Examiner — Charles Hanson
 (74) *Attorney, Agent, or Firm* — Ledgley Law; Cynthia J. Ledgley

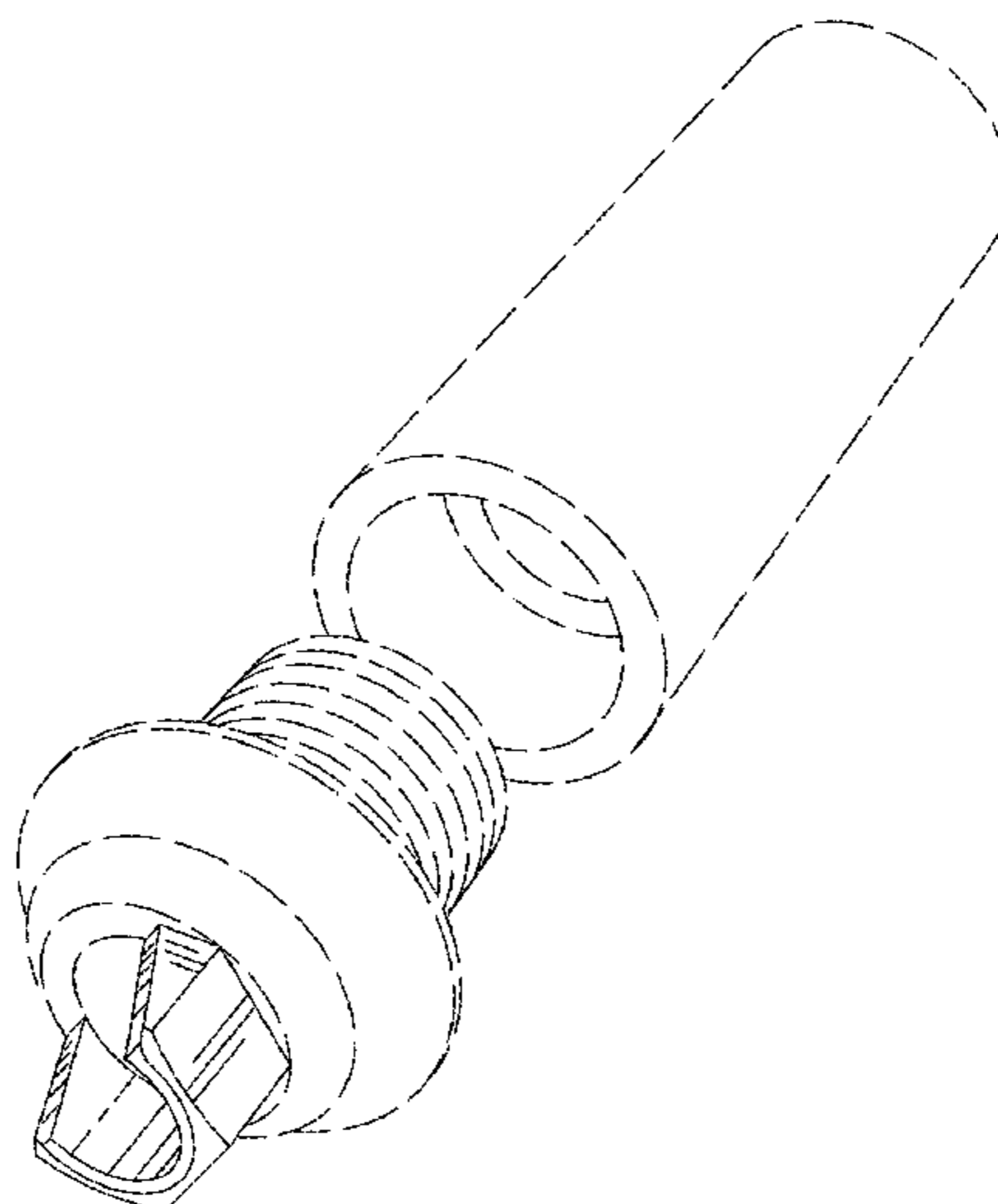
(57) **CLAIM**

I claim the ornamental design for a dental implant abutment, as shown and described.

DESCRIPTION

FIG. 1 is a front perspective view of a dental implant abutment showing my new design;
 FIG. 2 is a front view thereof;
 FIG. 3 is a top plan view thereof;
 FIG. 4 is a bottom plan view thereof;
 FIG. 5 is a left side view thereof; and,
 FIG. 6 is a right side view thereof.
 The broken lines in the drawing depict environmental subject matter only and form no part of the claimed design.

1 Claim, 2 Drawing Sheets



(56)

References Cited

U.S. PATENT DOCUMENTS

7,059,856 B2 6/2006 Marotta
 D528,210 S * 9/2006 Boettcher D24/156
 7,112,063 B2 9/2006 Bulard
 7,249,949 B2 7/2007 Carter
 7,309,231 B2 12/2007 Engman
 D562,453 S 2/2008 Rassoli
 D562,455 S 2/2008 Rassoli
 D567,947 S * 4/2008 Lerner D24/156
 D580,059 S * 11/2008 Boettcher D24/156
 D582,042 S 12/2008 Purga et al.
 D587,372 S 2/2009 Mundwiler et al.
 D587,373 S 2/2009 Purga et al.
 D611,603 S * 3/2010 Noguchi D24/156
 D611,604 S * 3/2010 Aoyagi D24/156
 D616,097 S 5/2010 Johnson et al.
 7,780,448 B2 8/2010 Kim
 D641,877 S 7/2011 Aldecoa
 D642,271 S 7/2011 Anitua Aldecoa
 D646,786 S 10/2011 Anitua Aldecoa
 8,029,282 B2 10/2011 Carter
 8,038,442 B2 10/2011 Hurson
 8,123,524 B2 2/2012 Anitua Aldecoa
 D663,032 S * 7/2012 Mashio D24/156
 D663,419 S * 7/2012 Mashio D24/156
 D667,955 S * 9/2012 Spahn D24/156
 8,267,687 B2 9/2012 Kast et al.
 8,272,870 B2 9/2012 Esposti et al.
 8,328,556 B2 12/2012 Scommegna et al.
 2003/0143514 A1 7/2003 Peltier
 2007/0037122 A1 2/2007 Bassett et al.
 2007/0037123 A1 2/2007 Mansueto et al.
 2008/0153066 A1 6/2008 Schlusel et al.

2008/0274440 A1 11/2008 Smith et al.
 2009/0117521 A1 5/2009 Enrique et al.
 2010/0203476 A1 8/2010 Studer et al.
 2010/0311012 A1 12/2010 Bar Shalom
 2011/0123947 A1 5/2011 Borel et al.
 2011/0123948 A1 5/2011 Hinrichsen
 2011/0306013 A1 12/2011 Boehlen
 2012/0171638 A1 7/2012 Guenter et al.
 2012/0202170 A1 8/2012 Johnson et al.
 2012/0214132 A1 8/2012 Takahashi et al.
 2012/0301850 A1 11/2012 Schär et al.
 2012/0322030 A1 12/2012 Fromovich
 2013/0004915 A1 1/2013 Bellanca et al.
 2013/0022941 A1 1/2013 Tramonte et al.

FOREIGN PATENT DOCUMENTS

EP 0960604 A1 12/1999
 EP 0763350 B1 9/2001
 EP 1034750 B1 10/2005
 EP 1003438 B1 12/2005
 EP 1763324 A1 3/2007
 EP 1948067 A1 7/2008
 EP 2057963 A1 5/2009
 EP 1763324 B1 11/2009
 EP 2152190 A1 2/2010
 EP 2215989 A1 8/2010
 EP 2022443 B1 9/2010
 EP 2260788 A2 12/2010
 EP 1419746 B1 6/2011
 EP 2266498 B1 1/2012
 EP 1656904 B1 4/2012
 EP 1948067 B1 1/2013
 EP 2543338 A1 1/2013

* cited by examiner

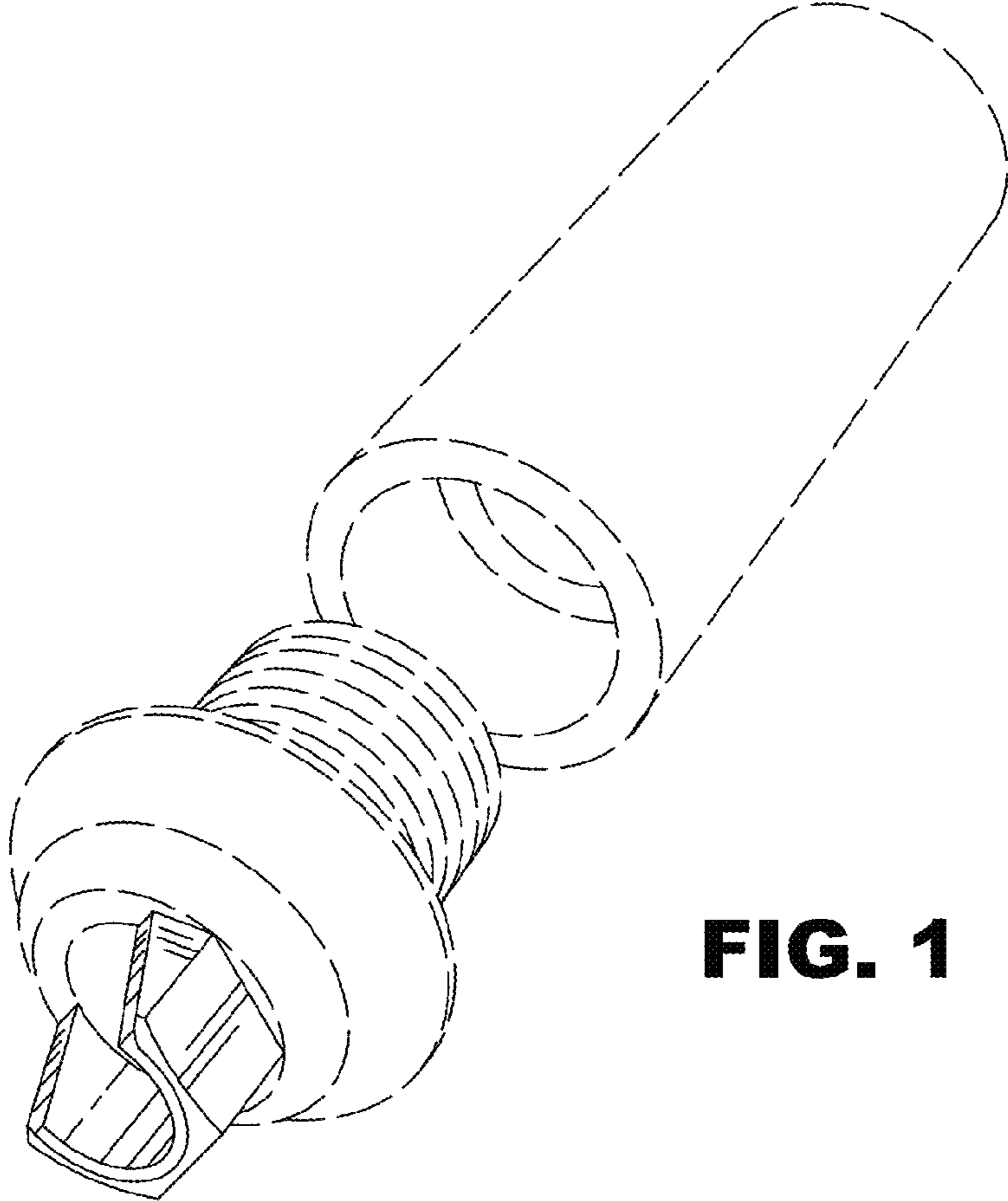


FIG. 1

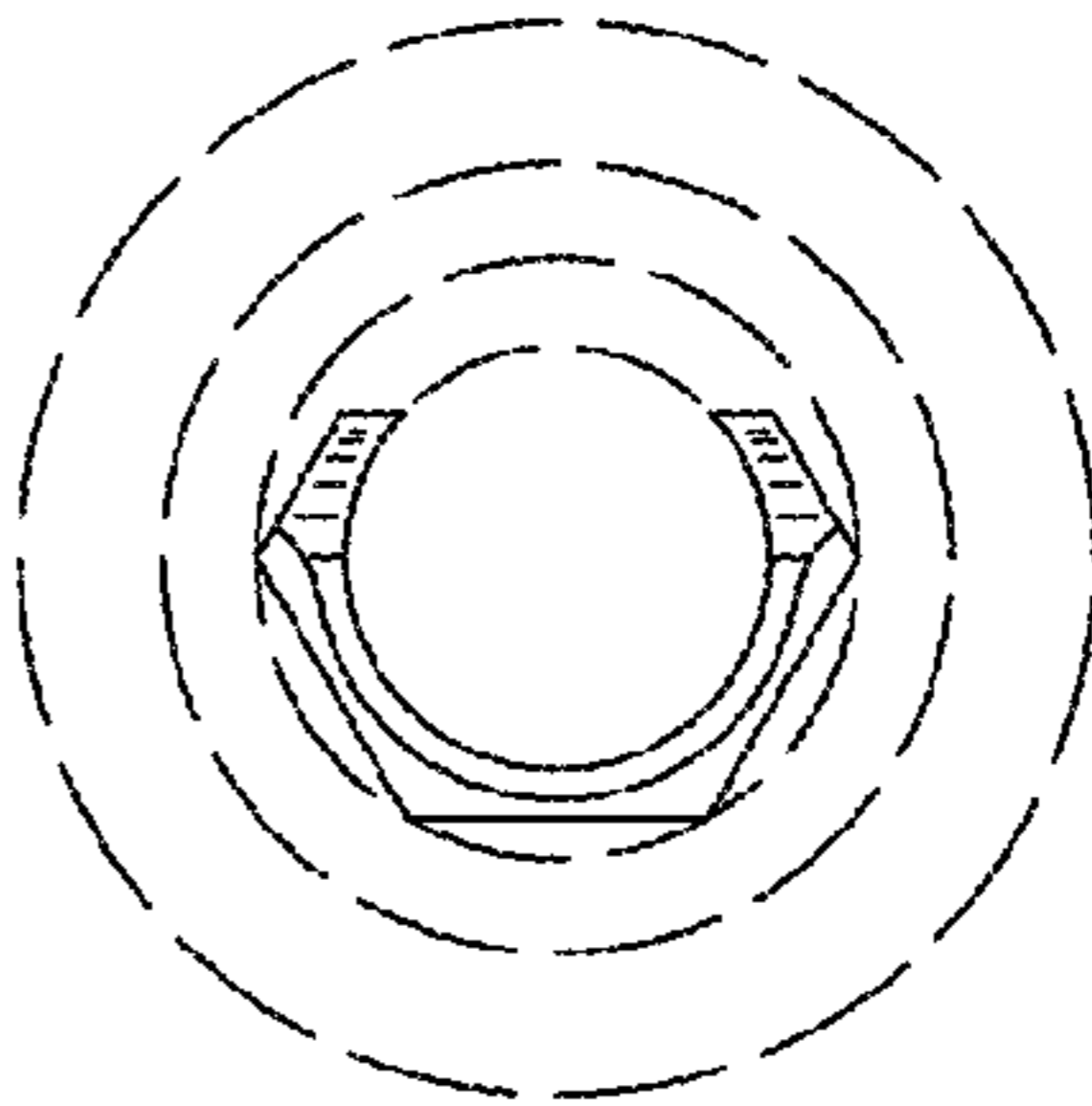


FIG. 2

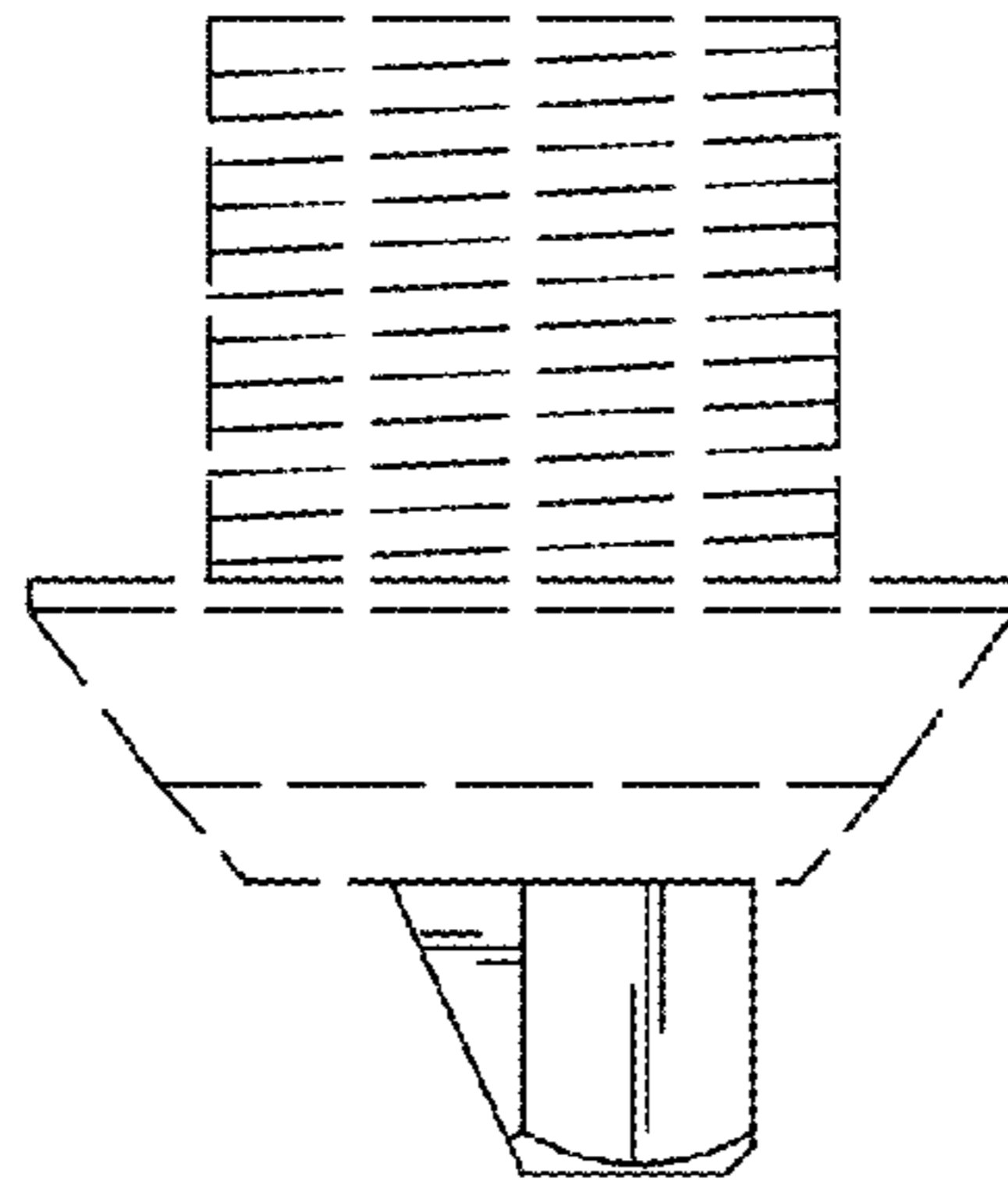


FIG. 3

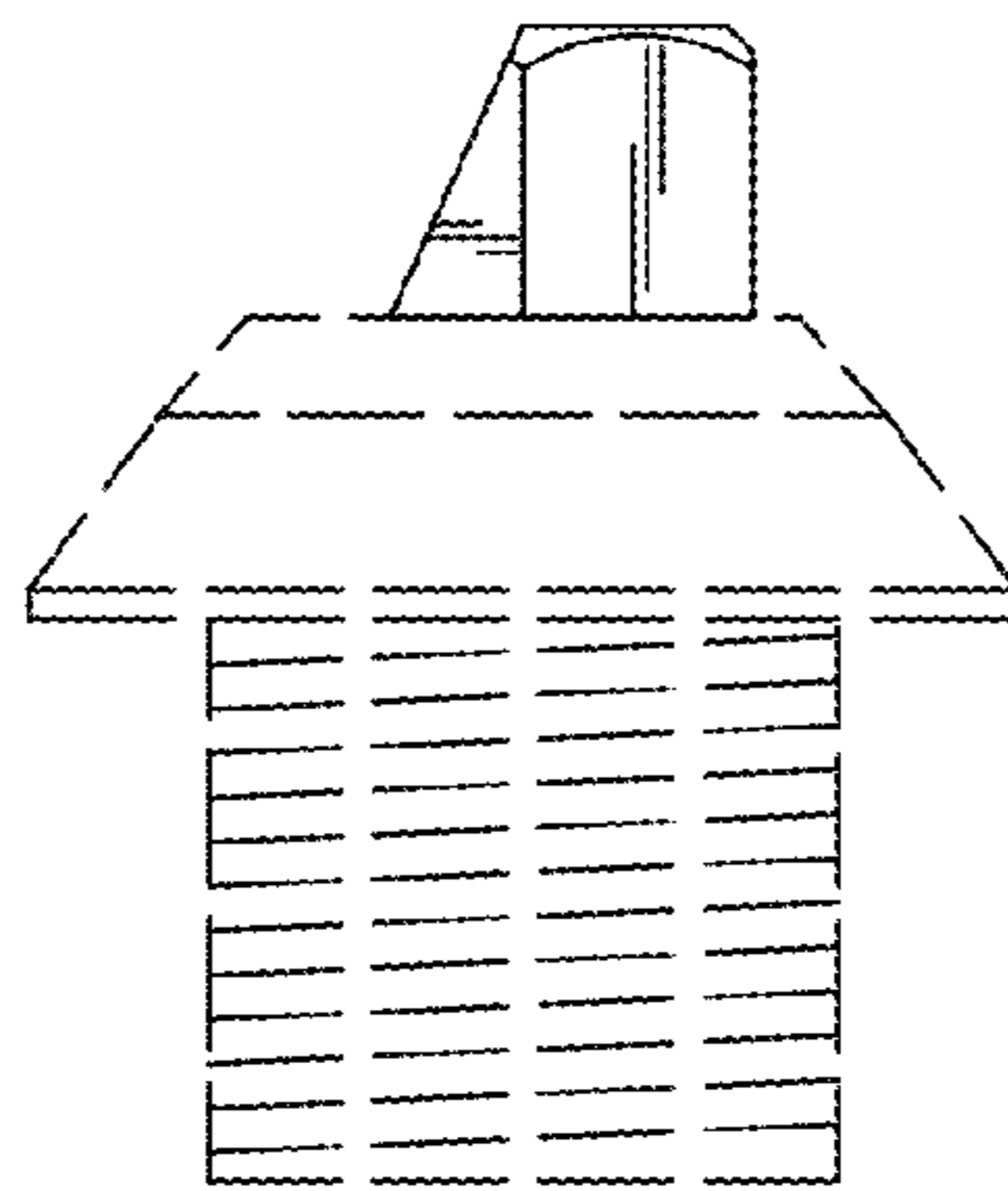


FIG. 4

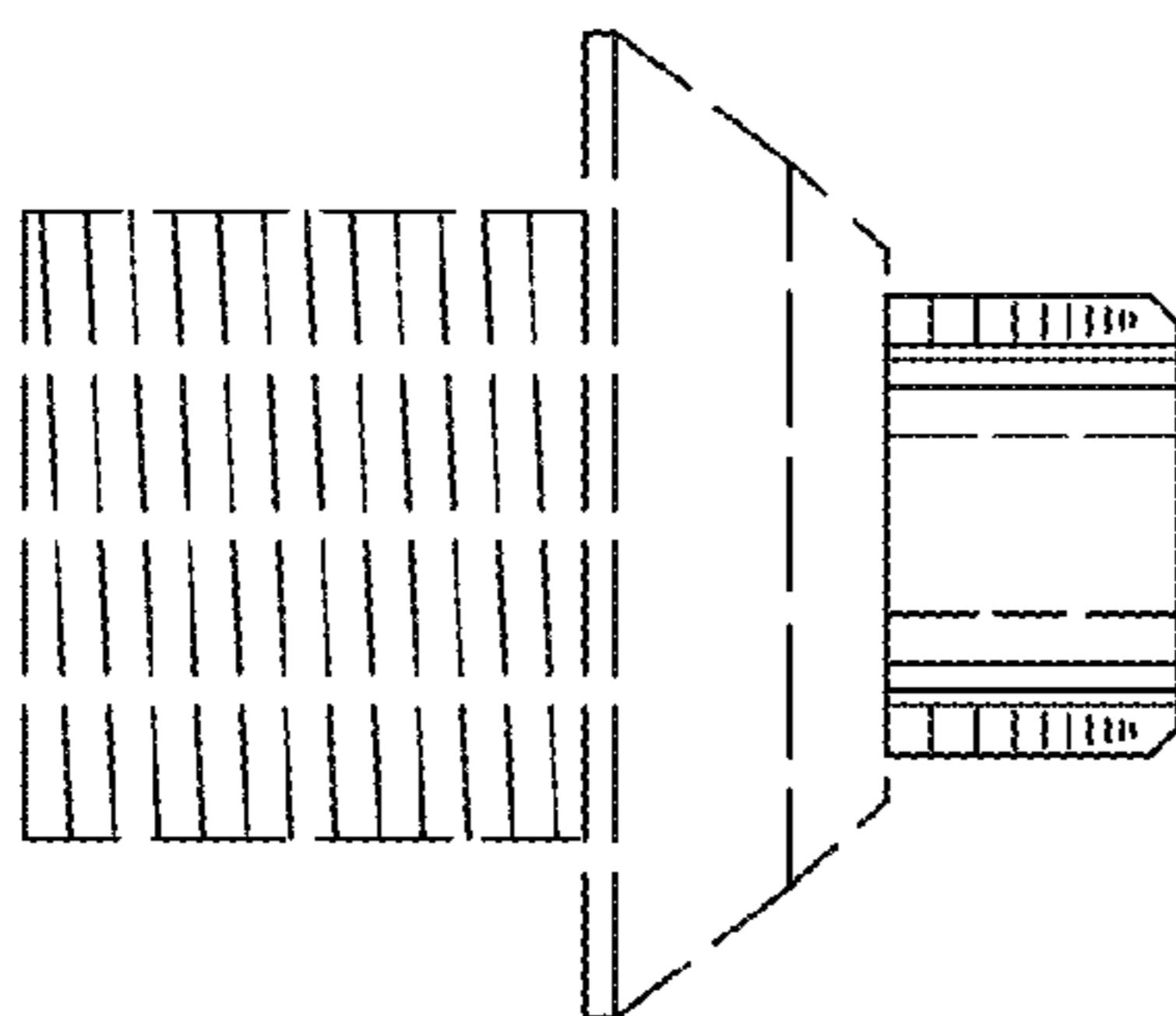


FIG. 5

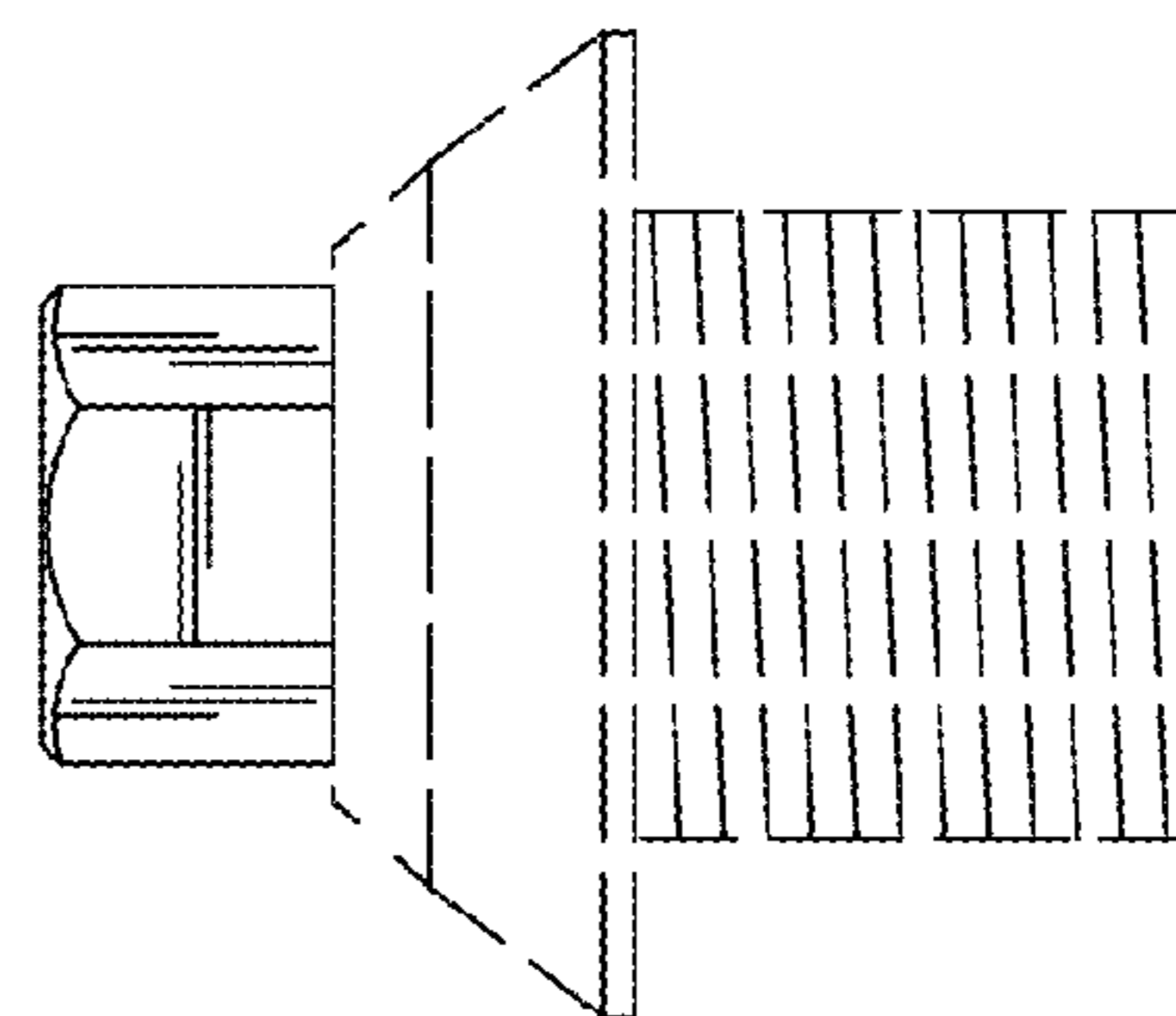


FIG. 6