

US00D751708S

(12) **United States Design Patent**
Tapocik

(10) **Patent No.:** **US D751,708 S**
(45) **Date of Patent:** **** Mar. 15, 2016**

- (54) **STRAIGHT INTERPROXIMAL DENTAL TOOL WITH STRAIGHT BLADE**
- (71) Applicant: **Kerr Corporation**, Orange, CA (US)
- (72) Inventor: **Bryan Tapocik**, Highland, CA (US)
- (73) Assignee: **Kerr Corporation**, Orange, CA (US)
- (**) Term: **14 Years**
- (21) Appl. No.: **29/503,746**
- (22) Filed: **Sep. 29, 2014**
- (51) **LOC (10) Cl.** **24-02**
- (52) **U.S. Cl.**
USPC **D24/152**
- (58) **Field of Classification Search**
USPC D24/152, 147, 176; D8/90; 433/51,
433/125, 142, 166; 132/323, 329
CPC A61C 15/00; A61C 3/06; A61C 5/127;
A61C 15/046; A61C 3/12
See application file for complete search history.

(56) **References Cited**

U.S. PATENT DOCUMENTS

- 2,288,011 A * 6/1942 Mizzy 433/148
- 4,483,676 A * 11/1984 Thierman 433/142

- 5,476,381 A * 12/1995 Dragan 433/142
- 7,455,521 B2 * 11/2008 Fishburne, Jr. 433/142
- D600,810 S * 9/2009 Khouri D24/152
- D609,341 S * 2/2010 Khouri D24/152
- D638,127 S * 5/2011 Khouri D24/152
- 8,419,427 B2 * 4/2013 Effenberger et al. 433/136
- 2006/0127845 A1 * 6/2006 Khouri 433/142

* cited by examiner

Primary Examiner — Wan Laymon

(74) *Attorney, Agent, or Firm* — Wood, Herron & Evans, LLP

(57) **CLAIM**

The ornamental design for a straight interproximal dental tool with straight blade, as shown and described.

DESCRIPTION

FIG. 1 is a top, front, right side perspective view of the straight interproximal dental tool with straight blade, showing my new design;

FIG. 2 is a bottom, rear, left side perspective view thereof;

FIG. 3 is a front elevational view thereof;

FIG. 4 is a rear elevational view thereof;

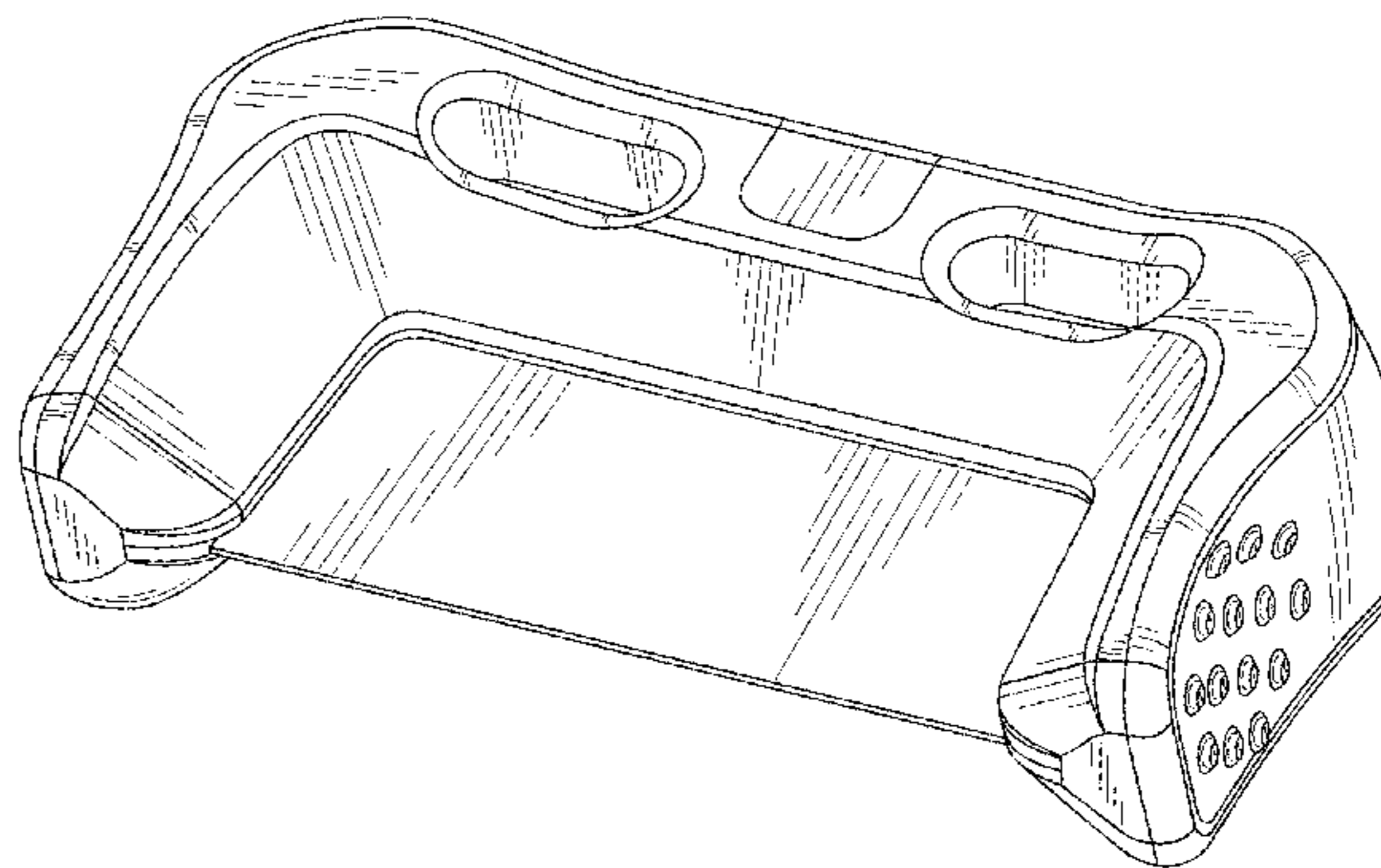
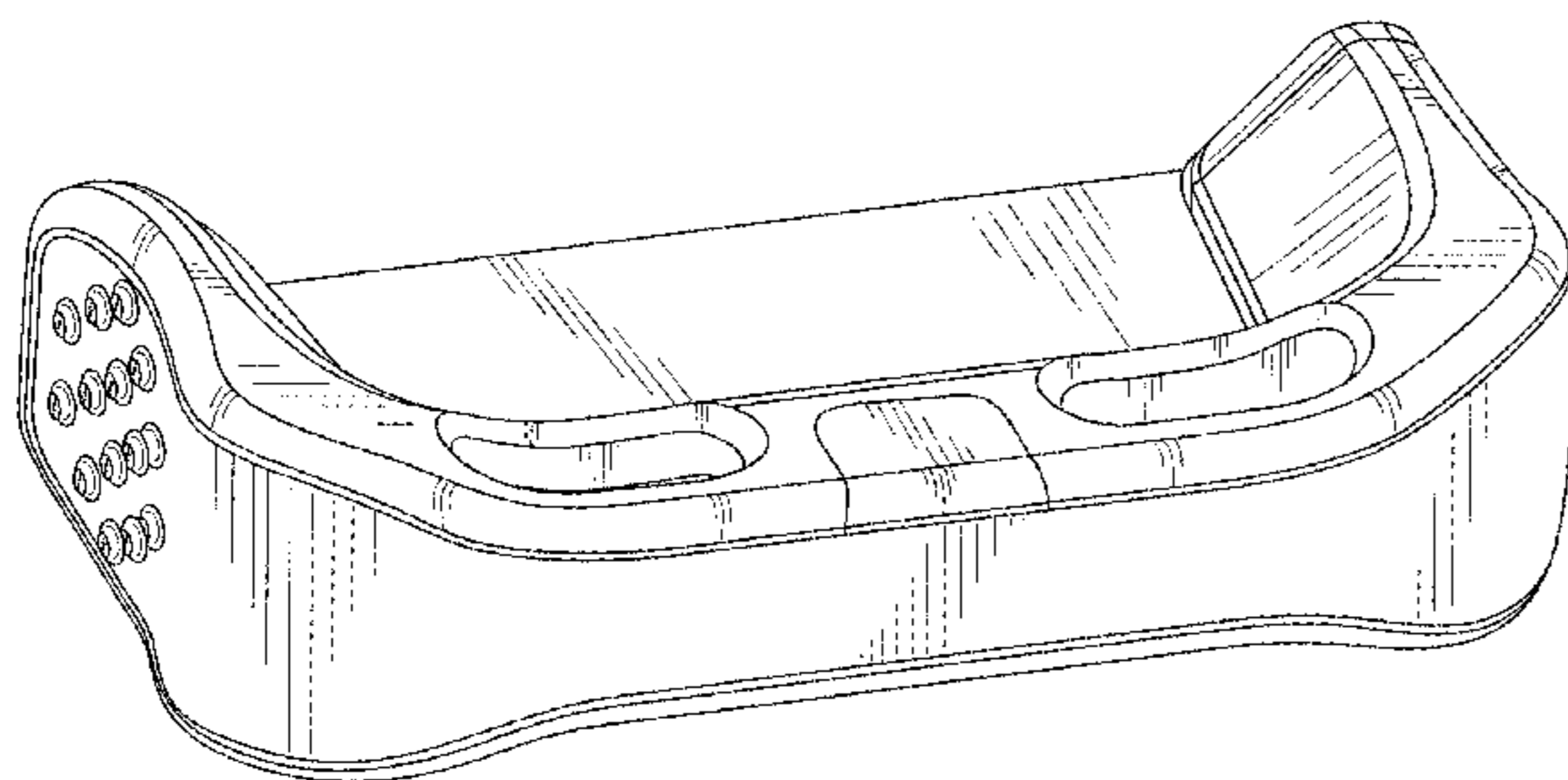
FIG. 5 is a top plan view thereof;

FIG. 6 is a bottom plan view thereof;

FIG. 7 is a left side elevational view thereof; and,

FIG. 8 is a right side elevational view thereof.

1 Claim, 5 Drawing Sheets



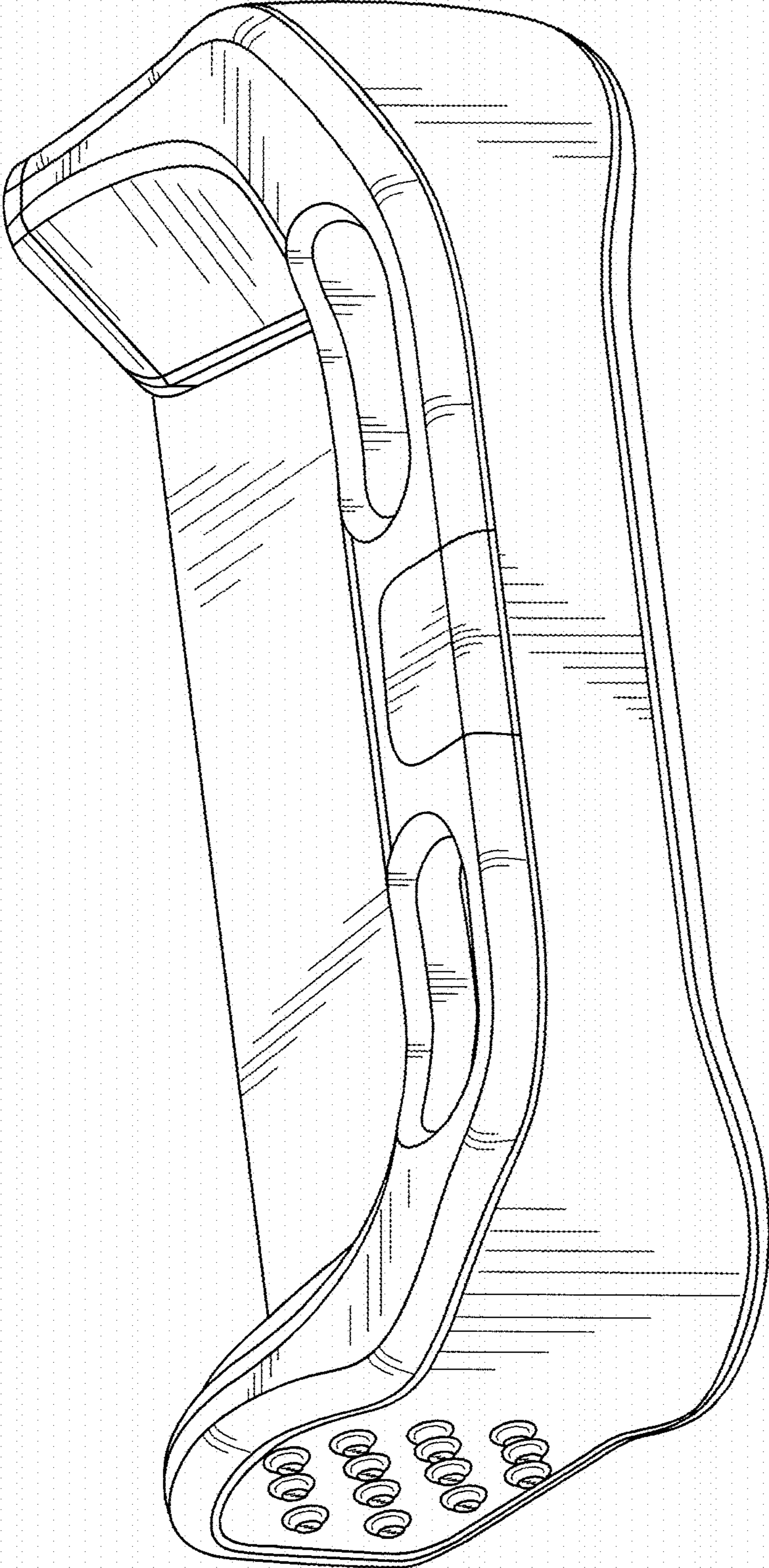


FIG. 1

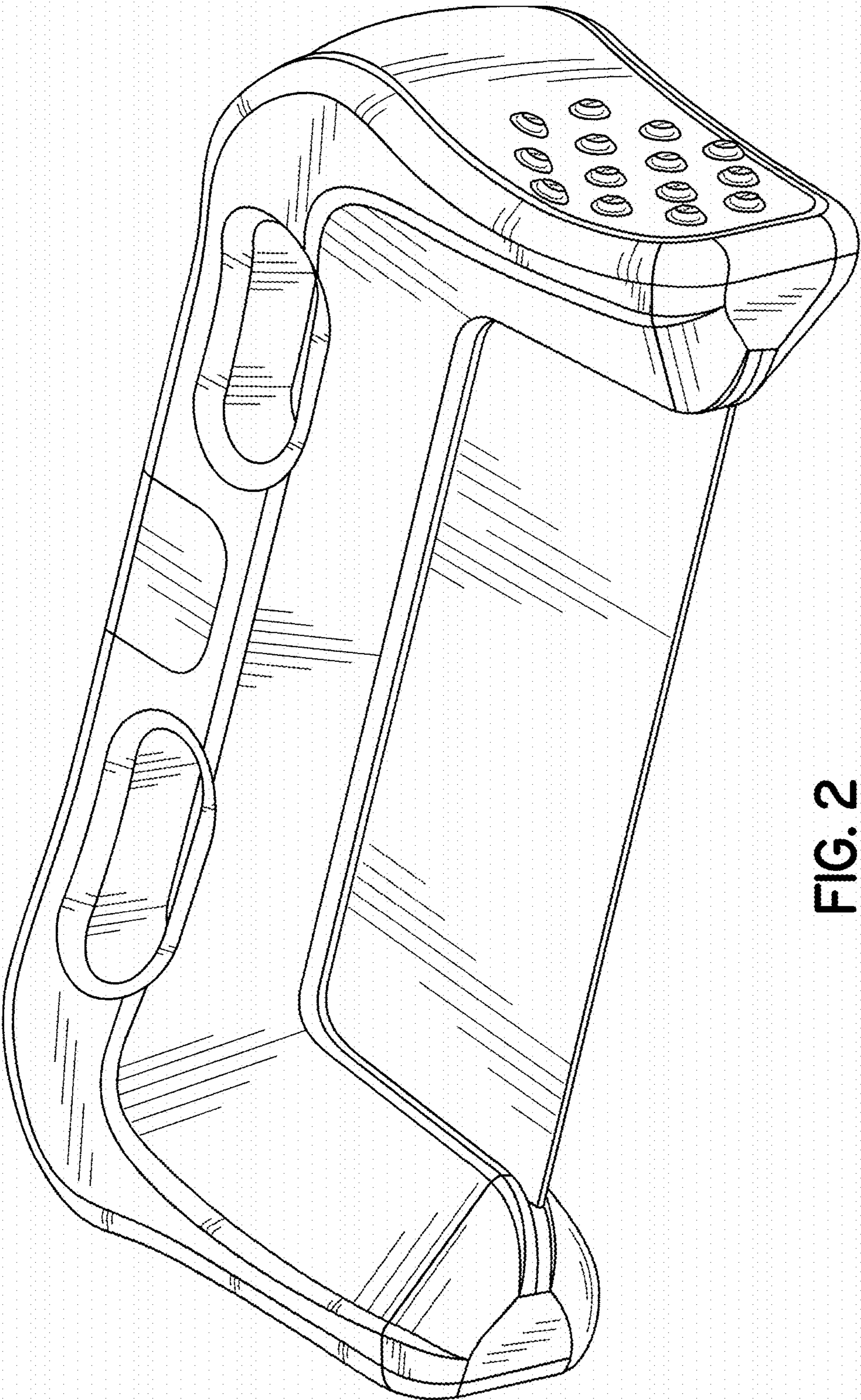


FIG. 2

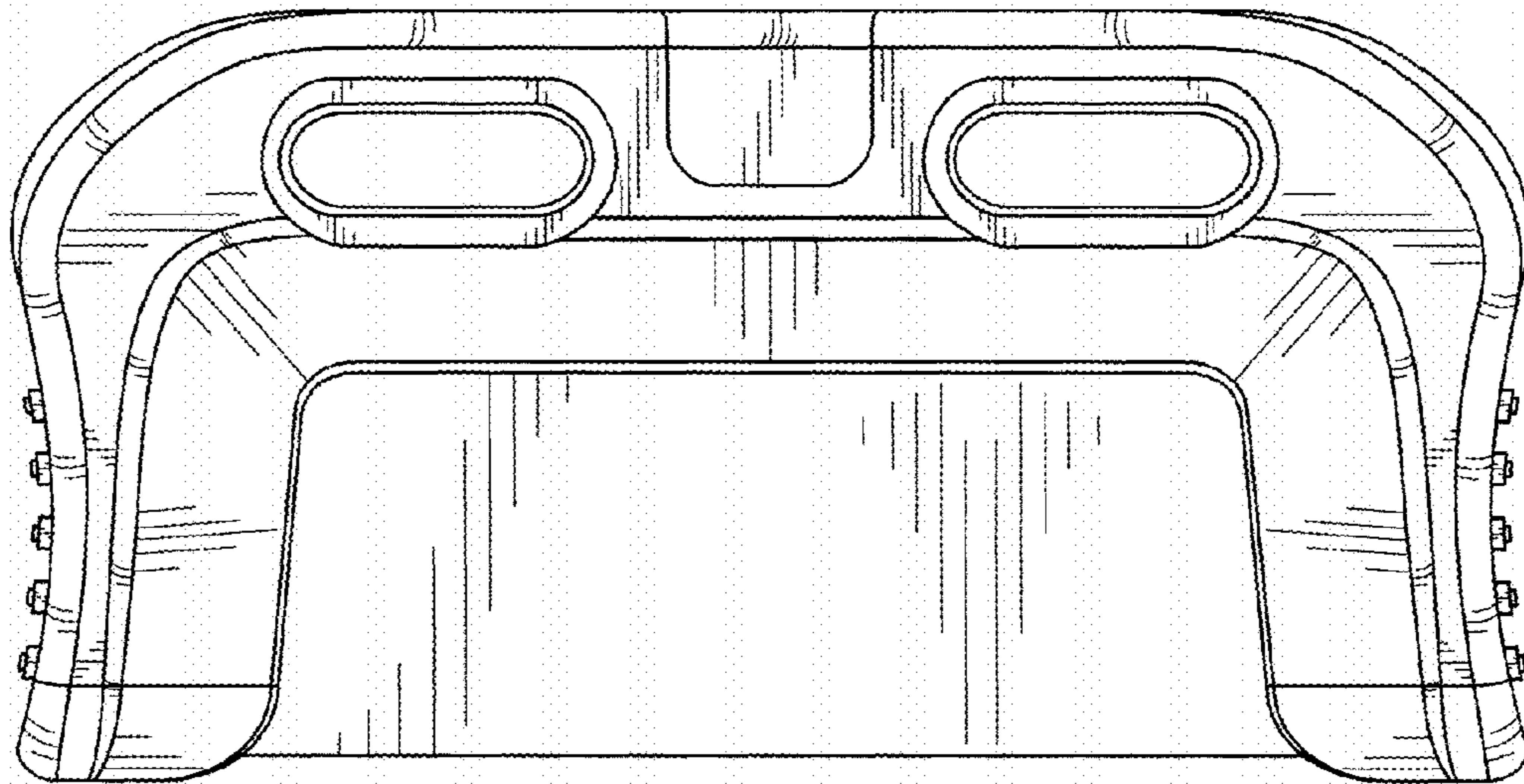


FIG. 3

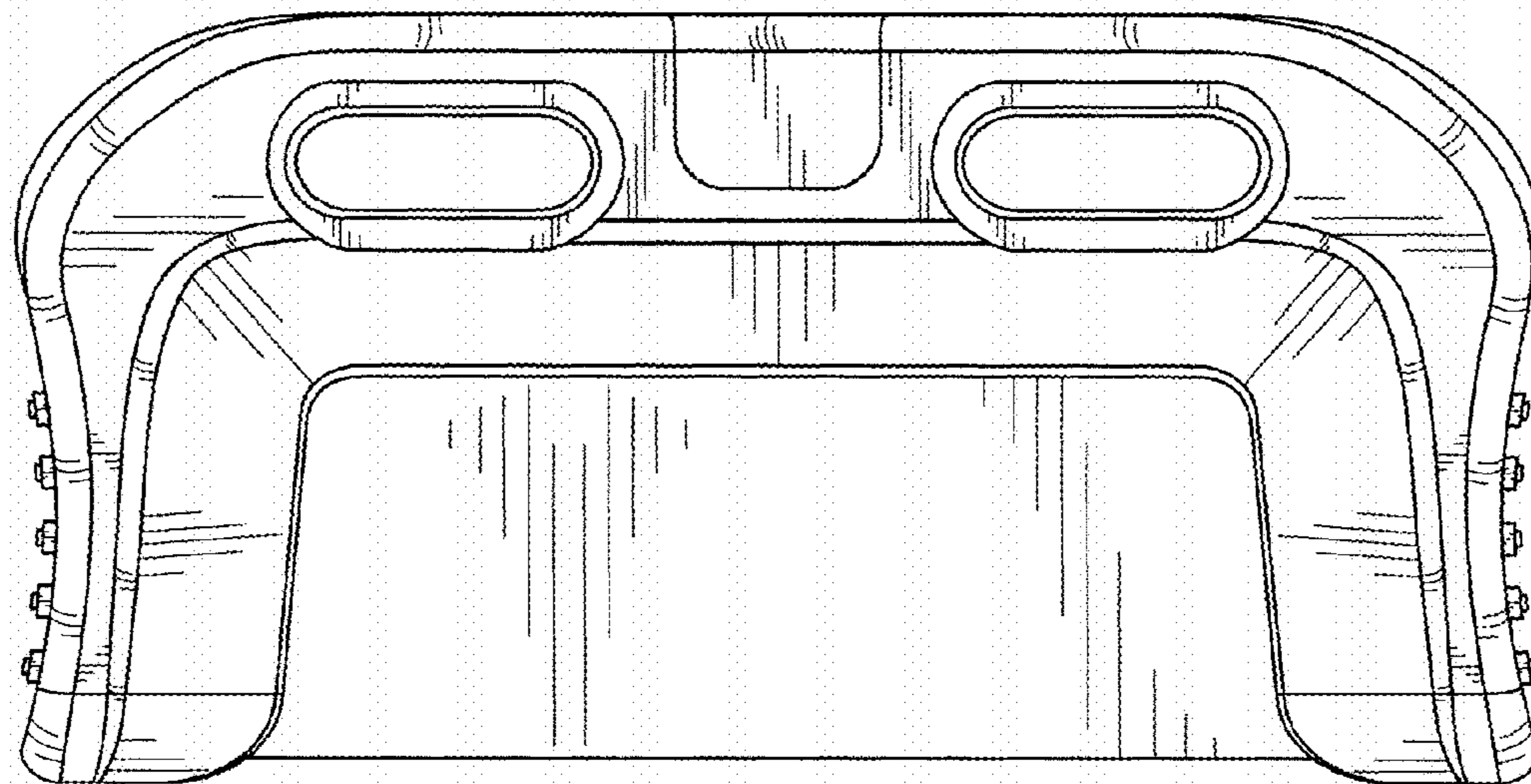


FIG. 4

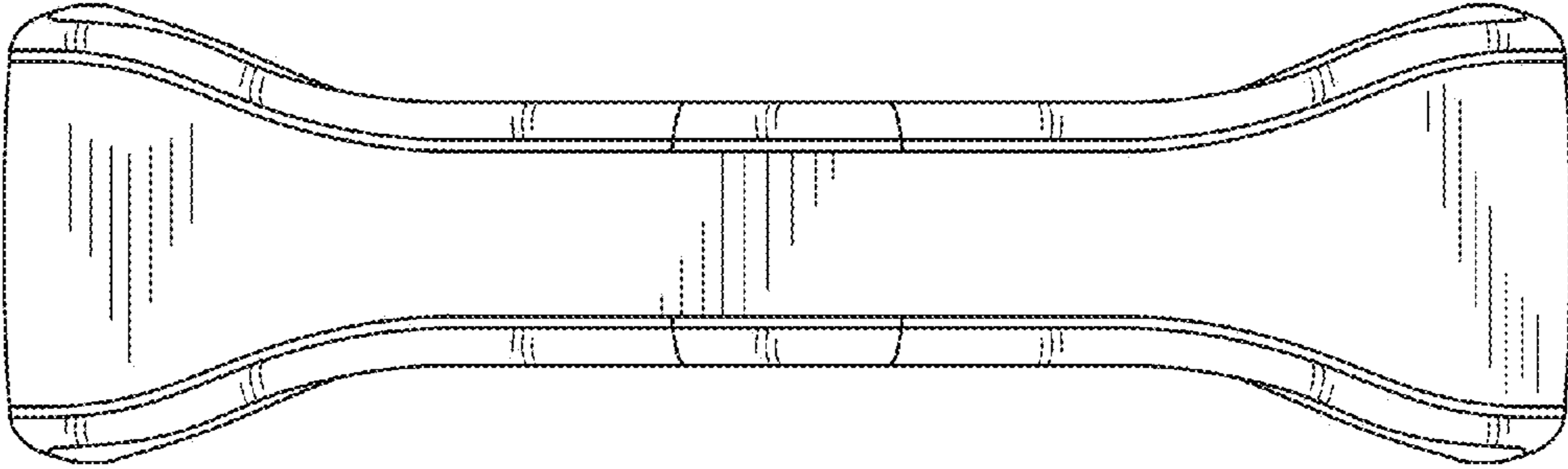


FIG. 5

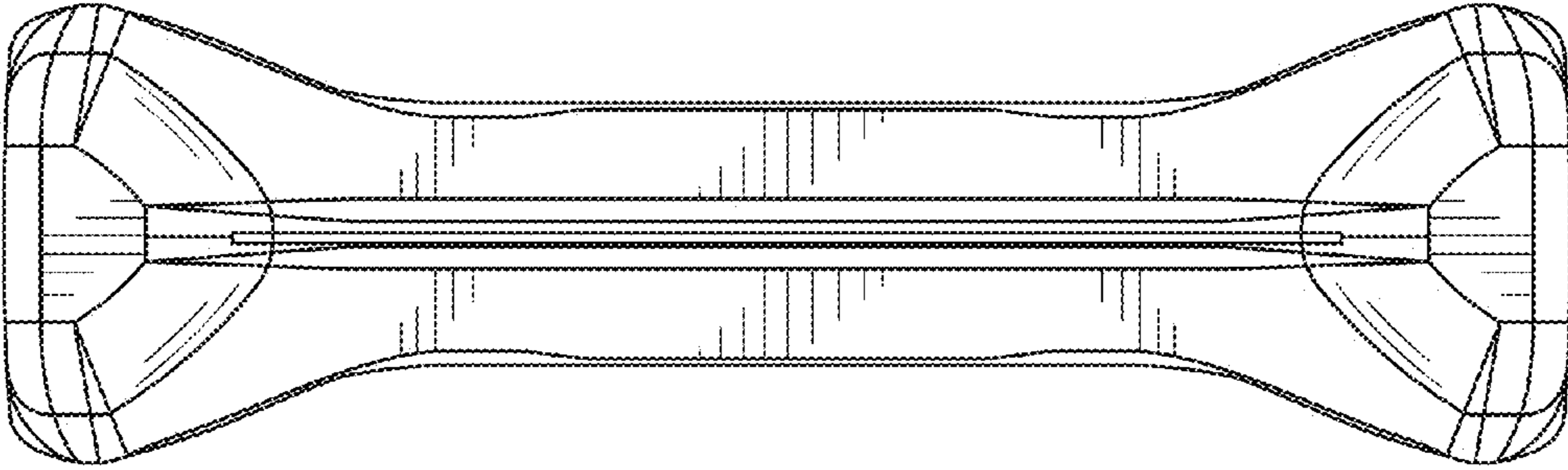


FIG. 6

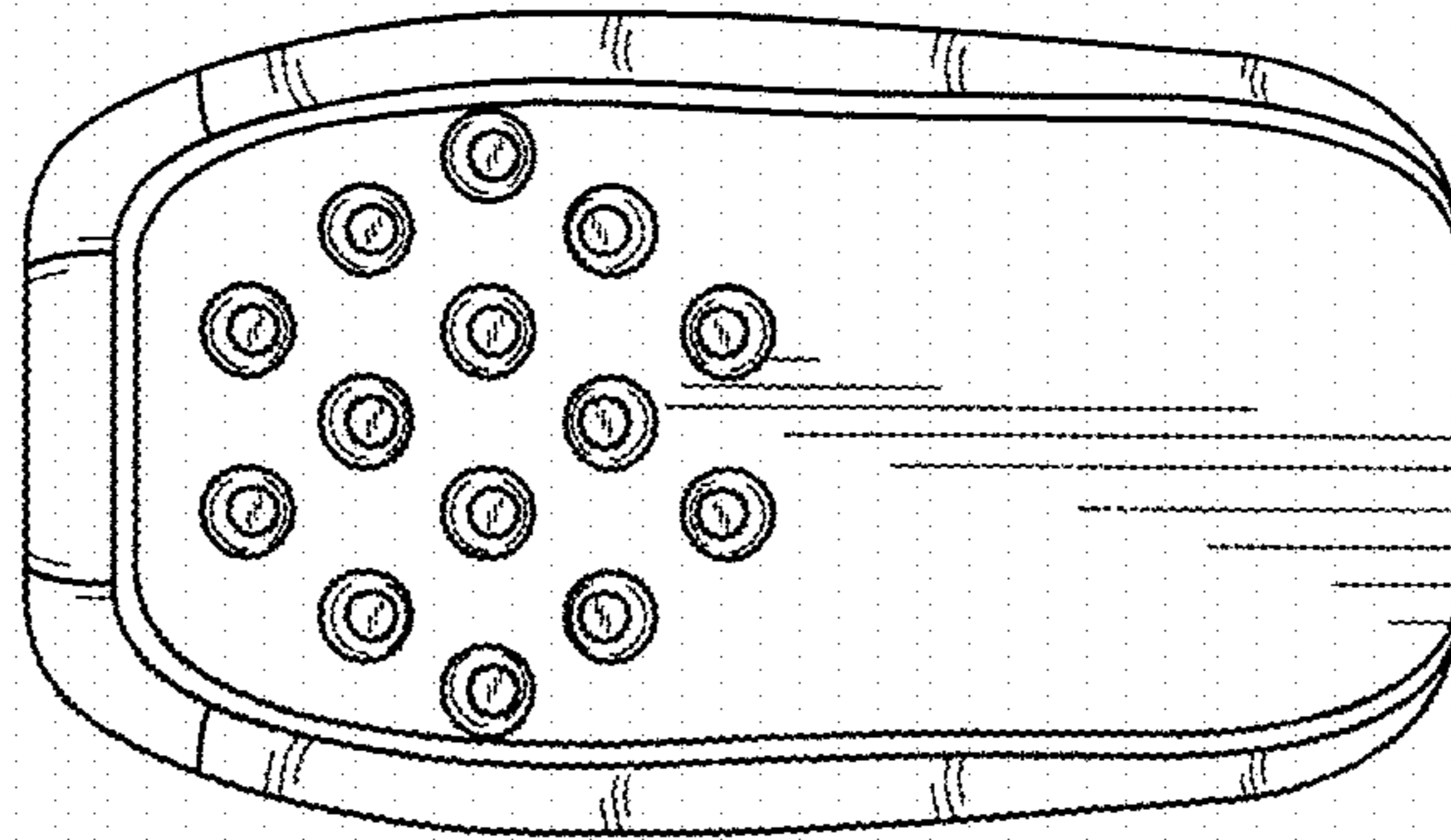


FIG. 7

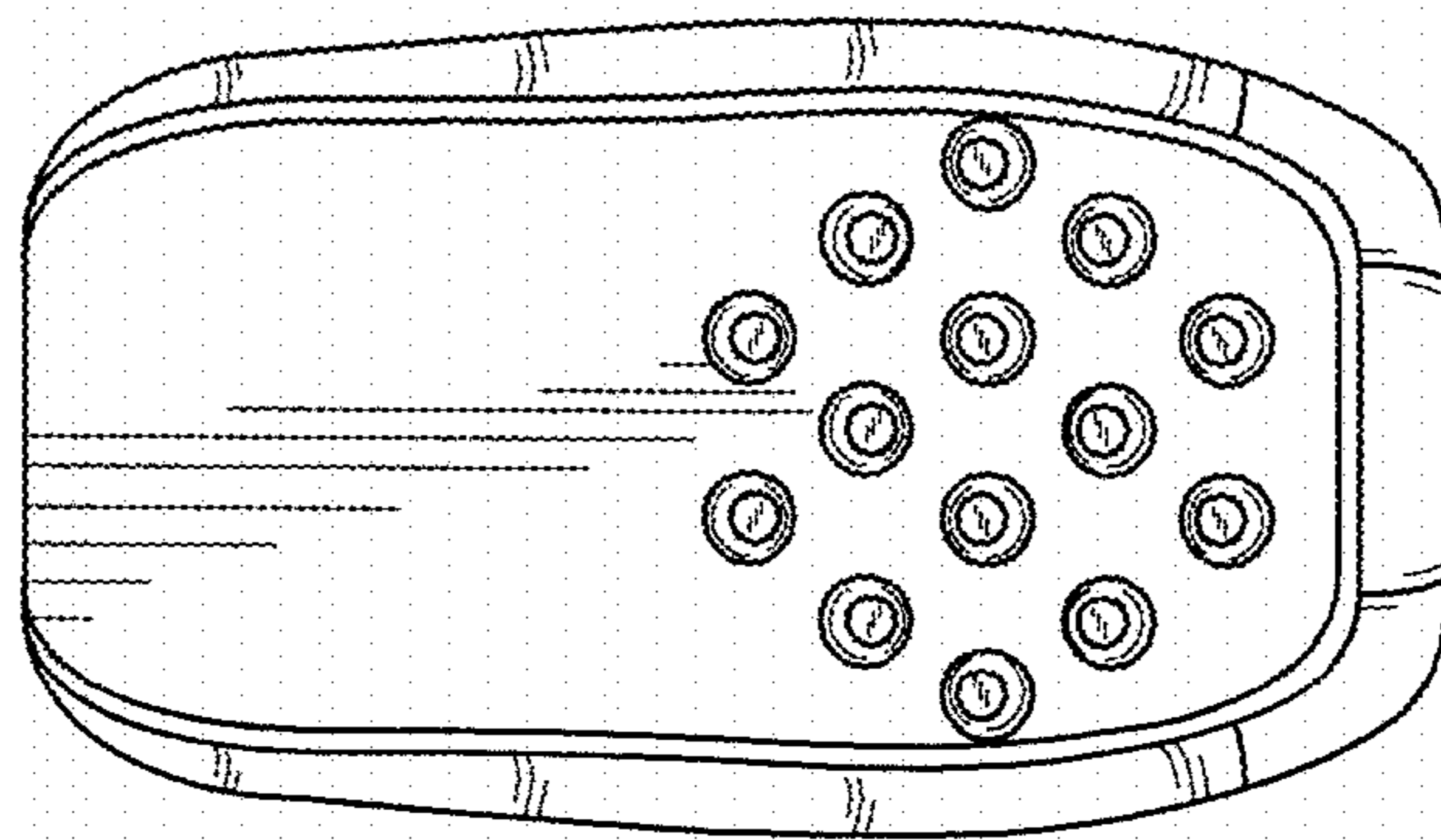


FIG. 8