



US00D751707S

(12) **United States Design Patent**
Baron et al.

(10) **Patent No.:** **US D751,707 S**
(45) **Date of Patent:** **** Mar. 15, 2016**

- (54) **HAND-HELD CAUTERY DEVICE**
- (71) Applicant: **Bovie Medical Corporation**,
Clearwater, FL (US)
- (72) Inventors: **Fred E. Baron**, Largo, FL (US);
Alexandr Reznik, St. Petersburg, FL
(US)
- (73) Assignee: **Bovie Medical Corporation**,
Clearwater, FL (US)

D229,869 S 1/1974 Staub
 D232,591 S 8/1974 Haberman
 D240,277 S * 6/1976 Staub D24/144
 (Continued)

- (**) Term: **14 Years**
- (21) Appl. No.: **29/517,067**
- (22) Filed: **Feb. 10, 2015**

FOREIGN PATENT DOCUMENTS

CN 2715707 Y 8/2005
 EP 1813200 A2 8/2007

(Continued)

OTHER PUBLICATIONS

European Search Report for European Application No. 12161530.6; dated Sep. 5, 2012; eight (8) pages.

(Continued)

Primary Examiner — Wan Laymon

(74) *Attorney, Agent, or Firm* — Michael J. Porco; Gerald E. Hespos; Matthew T. Hespos

Related U.S. Application Data

- (63) Continuation of application No. 13/158,806, filed on Jun. 13, 2011.
- (51) **LOC (10) Cl.** **24-02**
- (52) **U.S. Cl.**
USPC **D24/144**
- (58) **Field of Classification Search**
USPC D24/133, 144, 170; 606/29–30, 34, 39,
606/169; D19/185
CPC A61B 18/082; A61B 18/08; A61B 18/14;
A61B 18/04; A61B 18/10
See application file for complete search history.

(57) **CLAIM**

The ornamental design of a “hand-held cautery device”, as shown and described.

DESCRIPTION

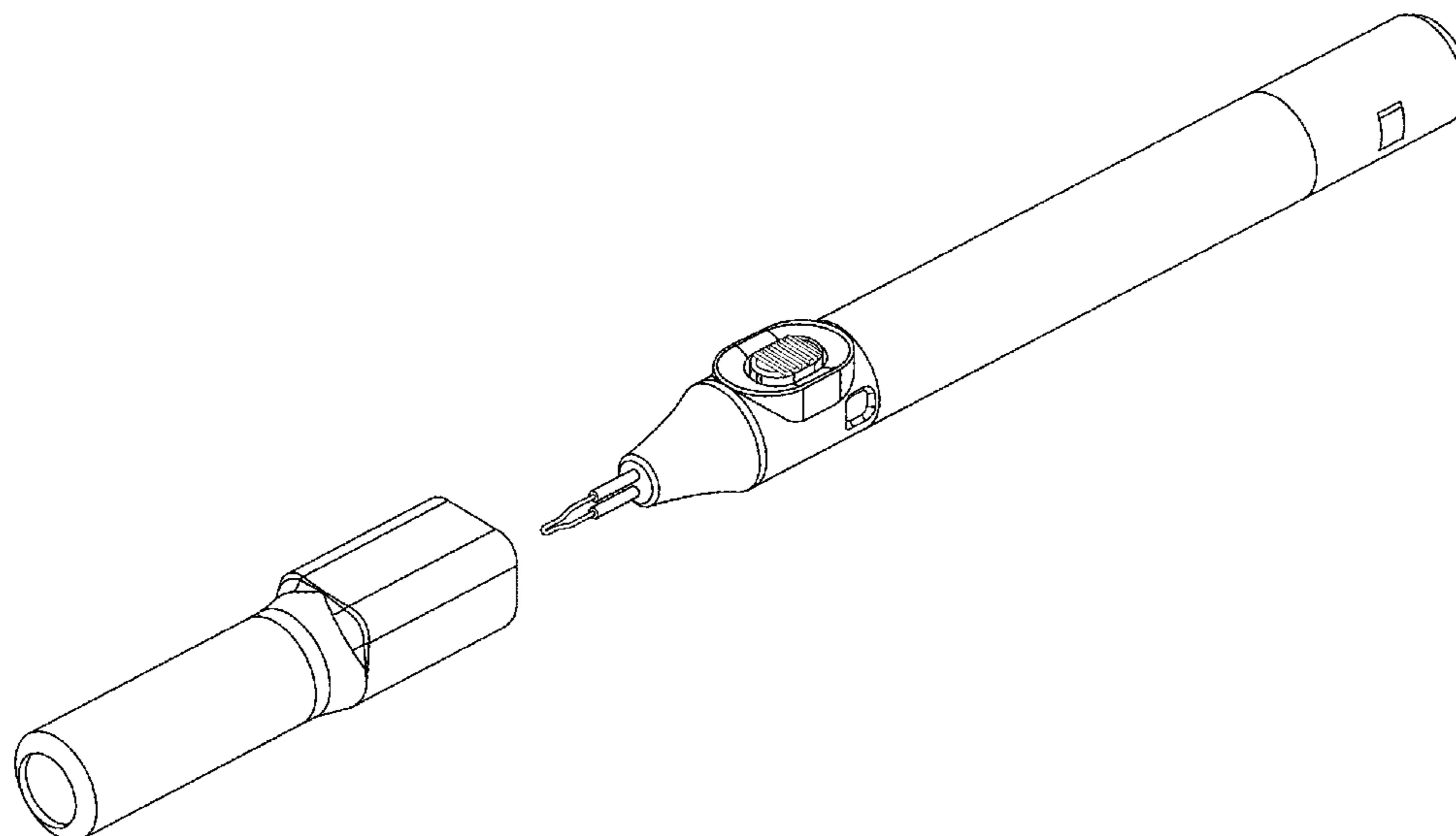
FIG. 1 is a perspective view of a hand-held cautery device of our new, original and ornamental design;
 FIG. 2 is a top view of the hand-held cautery device of FIG. 1 with the cover member removed for ease of illustration;
 FIG. 3 is a bottom view of the hand-held cautery device thereof;
 FIG. 4 is a right side view of the hand-held cautery device thereof, with the left side being a mirror image thereof;
 FIG. 5 is an enlarged front view of the hand-held cautery device thereof; and,
 FIG. 6 is an enlarged back view of the hand-held cautery device thereof.
 The broken lines showing in FIG. 6 are for illustrative purposes only and form no part of the claimed design.

(56) **References Cited**

U.S. PATENT DOCUMENTS

2,994,324 A 8/1961 Lemos
 3,234,356 A 2/1966 Babb
 3,461,874 A * 8/1969 Martinez A61B 18/10
606/30
 3,613,682 A 10/1971 Naylor

1 Claim, 5 Drawing Sheets



(56)

References Cited

U.S. PATENT DOCUMENTS

4,108,181	A	8/1978	Saliaris	
D253,303	S	10/1979	Barton et al.	
D254,150	S	2/1980	Barton et al.	
4,359,052	A	11/1982	Staub	
4,563,570	A	1/1986	Johns	
4,606,342	A	8/1986	Zamba et al.	
4,878,493	A	11/1989	Pasternak et al.	
5,163,937	A	11/1992	Zamba	
5,318,533	A	6/1994	Adams et al.	
5,401,273	A	3/1995	Shippert	
5,688,265	A	11/1997	Citronowicz	
D433,752	S	11/2000	Saravia	
6,214,003	B1	4/2001	Morgan et al.	
D449,395	S	10/2001	Dalton et al.	
6,482,200	B2	11/2002	Shippert	
7,241,294	B2	7/2007	Reschke	
7,566,331	B2	7/2009	Looper et al.	
7,699,856	B2	4/2010	Van Wyk et al.	
7,699,859	B2	4/2010	Bombard et al.	
7,879,032	B1	2/2011	Garito et al.	
8,915,909	B2 *	12/2014	Manwaring A61B 18/10 606/27	
8,932,279	B2 *	1/2015	Stringham A61B 18/082 606/29	
2001/0027968	A1	10/2001	Stuart	

2003/0234632	A1	12/2003	Fang
2004/0092992	A1	5/2004	Adams et al.
2004/0126627	A1	7/2004	Heine et al.
2005/0015080	A1	1/2005	Ciccione et al.
2005/0159752	A1	7/2005	Walker et al.
2005/0203546	A1	9/2005	Van Wyk et al.
2006/0089622	A1	4/2006	Bourne et al.
2008/0284372	A1	11/2008	Cover et al.
2009/0112200	A1	4/2009	Eggers
2009/0138006	A1	5/2009	Bales et al.
2009/0171354	A1	7/2009	Deville et al.
2009/0173804	A1	7/2009	Kah, Jr. et al.
2009/0218207	A1	9/2009	Mou
2009/0240246	A1	9/2009	Deville et al.
2010/0004669	A1	1/2010	Smith et al.
2010/0069940	A1	3/2010	Miller et al.
2011/0064978	A1	3/2011	McGahan et al.

FOREIGN PATENT DOCUMENTS

WO	WO0112090	2/2001
WO	2004054626	1/2004

OTHER PUBLICATIONS

Machine translation of CN 2715707 Y.

* cited by examiner

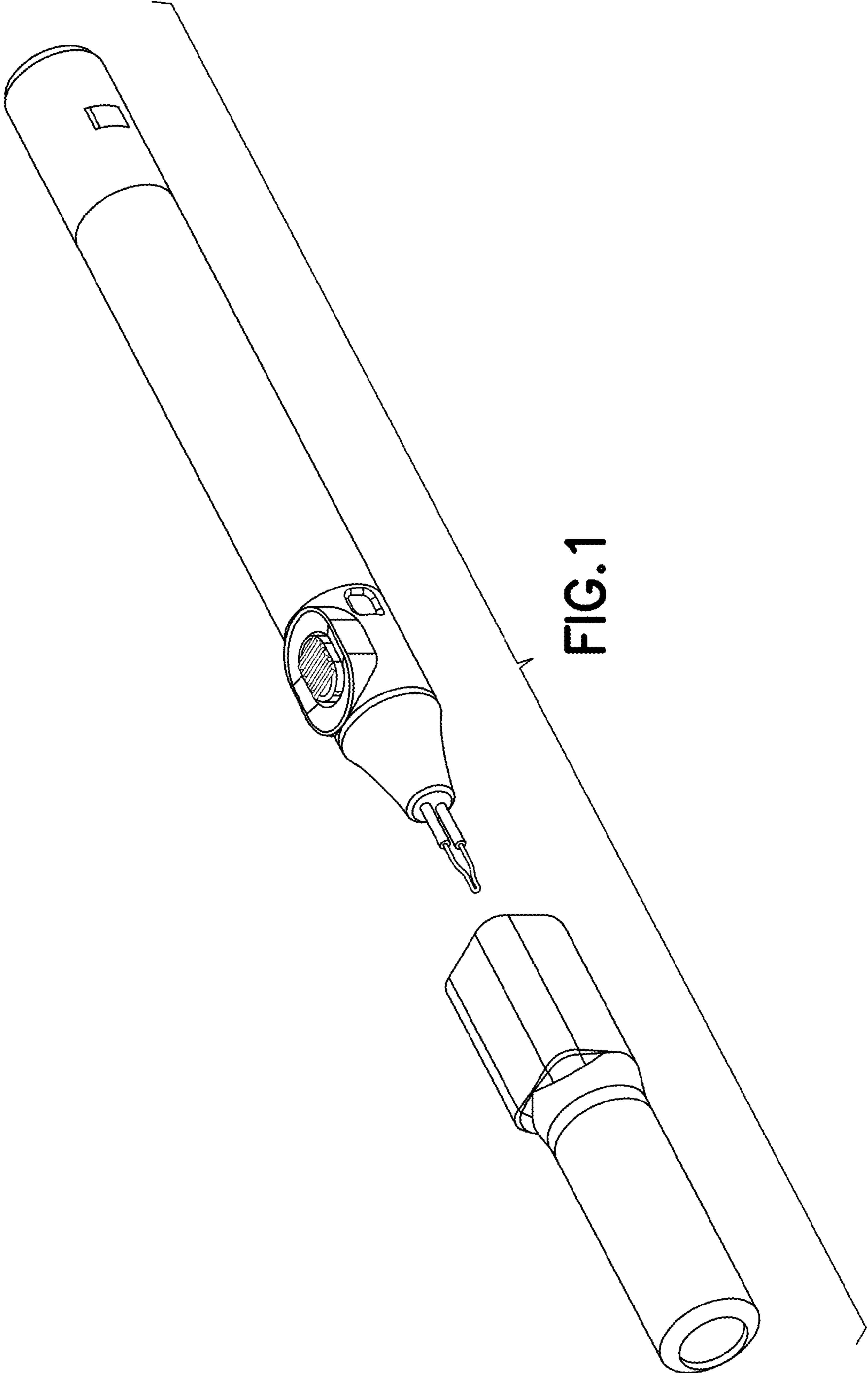


FIG. 1

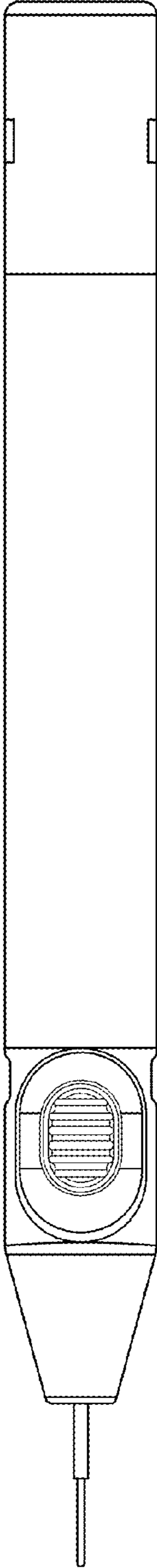


FIG. 2



FIG.3

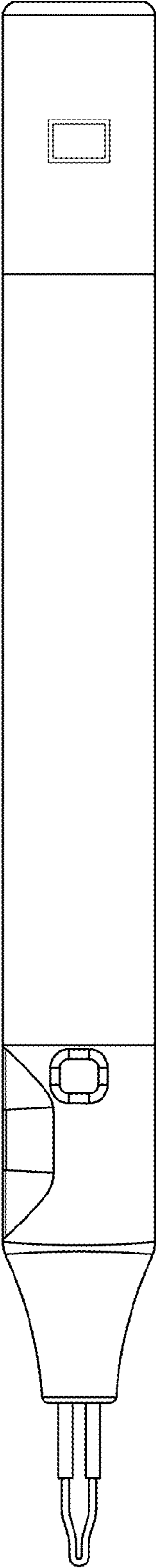


FIG. 4

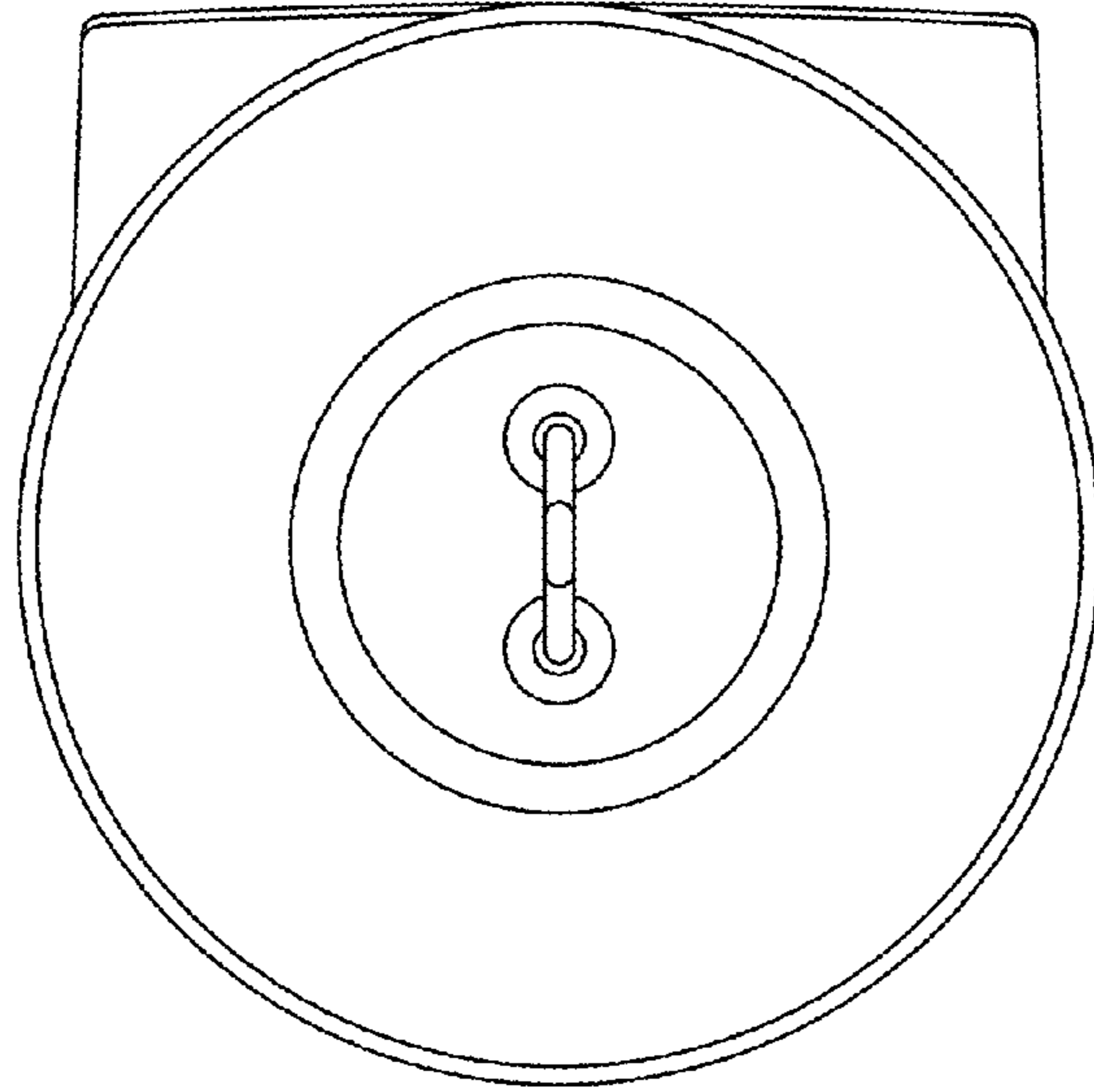


FIG. 5

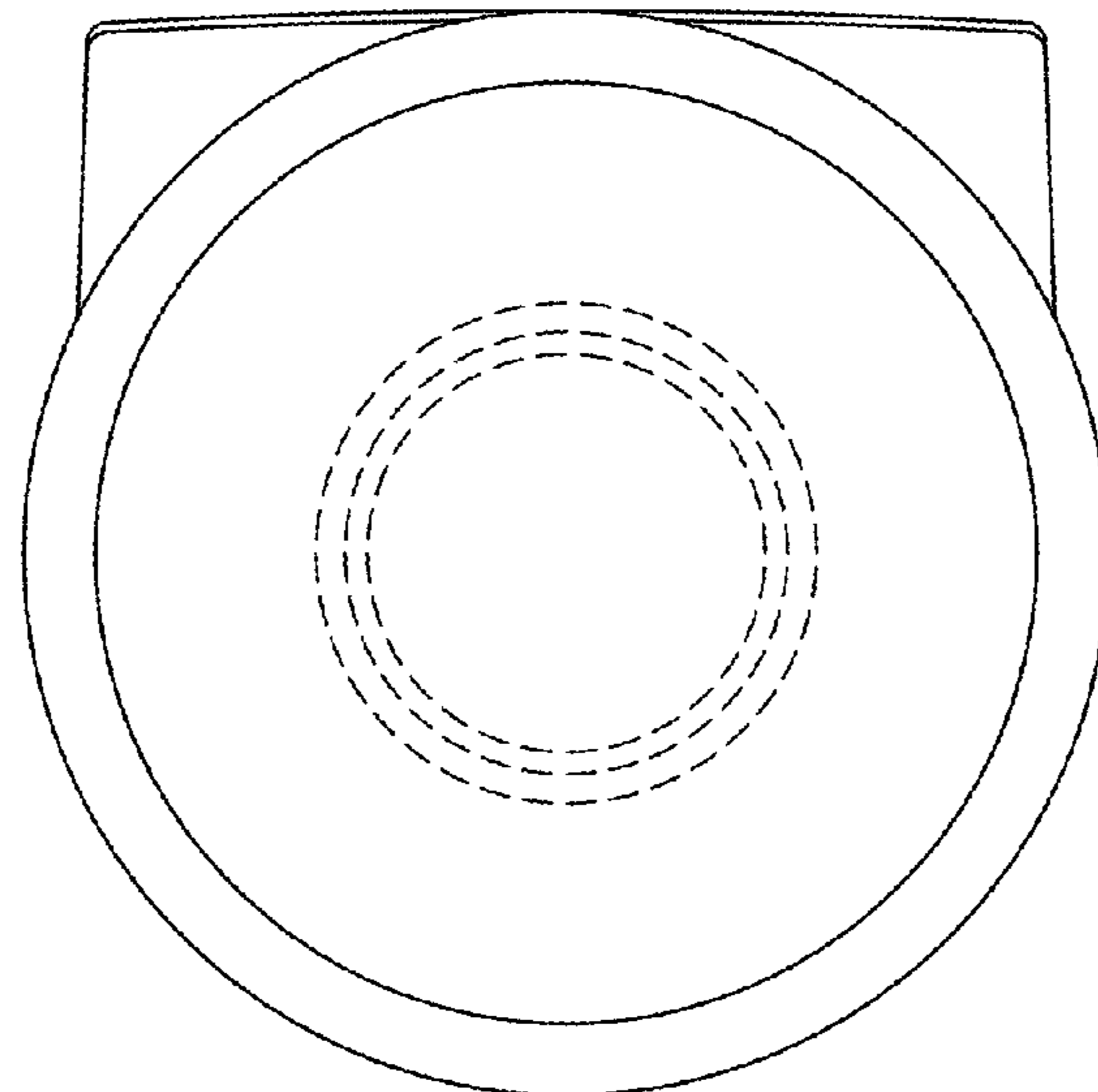


FIG. 6