

US00D751706S

(12) **United States Design Patent**  
**Chambers**

(10) **Patent No.:** **US D751,706 S**  
(45) **Date of Patent:** **\*\* Mar. 15, 2016**

(54) **TATTOO MACHINE FOOT SWITCH**

(71) Applicant: **Ian Chambers**, Baldwin Park, CA (US)

(72) Inventor: **Ian Chambers**, Baldwin Park, CA (US)

(73) Assignees: **Michael Chen**, Baldwin Park, CA (US);  
**Wen Wei**, Baldwin Park, CA (US); **Billy Chen**, Baldwin Park, CA (US)

(\*\*) Term: **14 Years**

(21) Appl. No.: **29/506,551**

(22) Filed: **Oct. 16, 2014**

(51) **LOC (10) CL.** ..... **24-02**

(52) **U.S. CL.**  
USPC ..... **D24/133**; D13/167

(58) **Field of Classification Search**  
USPC ..... D24/146, 140, 133; D13/167  
CPC ..... Y10T 74/2164; Y10T 74/2165; Y10T 74/2167; Y10T 74/2168; Y10T 74/2169; Y10T 74/217; Y10T 74/2172; G05G 1/30; G05G 1/305; G05G 1/44; G05G 1/445; A61B 2017/00973; A61B 2017/00977; A61B 2018/0091; A61B 2018/00916; A61B 2018/0094

See application file for complete search history.

(56) **References Cited**

**U.S. PATENT DOCUMENTS**

D338,188 S *	8/1993	Lee	.....	D13/110
D386,473 S *	11/1997	England	.....	D13/147
D391,923 S *	3/1998	Tracey	.....	D13/167
5,976,060 A *	11/1999	Nunez	.....	A63B 22/0056 482/52
D518,086 S *	3/2006	Ito	.....	D17/99
D542,740 S *	5/2007	Pollard	.....	D13/167
D543,512 S *	5/2007	Schurg	.....	D13/167
D669,037 S *	10/2012	Becker	.....	D13/167
D687,775 S *	8/2013	McGuire	.....	D13/110
D704,164 S *	5/2014	Green	.....	D14/217

D727,498 S *	4/2015	Creed	.....	D13/167
2004/0213684 A1 *	10/2004	Klein	.....	F04B 15/08 417/374
2010/0005948 A1 *	1/2010	Romolino	.....	G10D 13/065 84/422.3

**FOREIGN PATENT DOCUMENTS**

DE	102013114918 A1 *	7/2015	.....	G05G 1/44
FR	2392654 A1 *	12/1978	.....	H01H 21/26
JP	D1430861	1/2012		
WO	D032443-001	5/1995		

**OTHER PUBLICATIONS**

Painful Pleasures. <URL: <http://store.painfulpleasures.com/tattoo-supplies/tattoo-power-supplies-and-accessories/tattoo-foot-pedals-switches/coffin-style-morse-code-foot-switch-tattoo-pedal.html>>. Visited Nov. 10, 2015. Coffin-shaped tattoo machine foot switch.\*

\* cited by examiner

*Primary Examiner* — Bridget L Eland

*Assistant Examiner* — Lauren McVey

(74) *Attorney, Agent, or Firm* — QuickPatents, LLC; Kevin Prince

(57) **CLAIM**

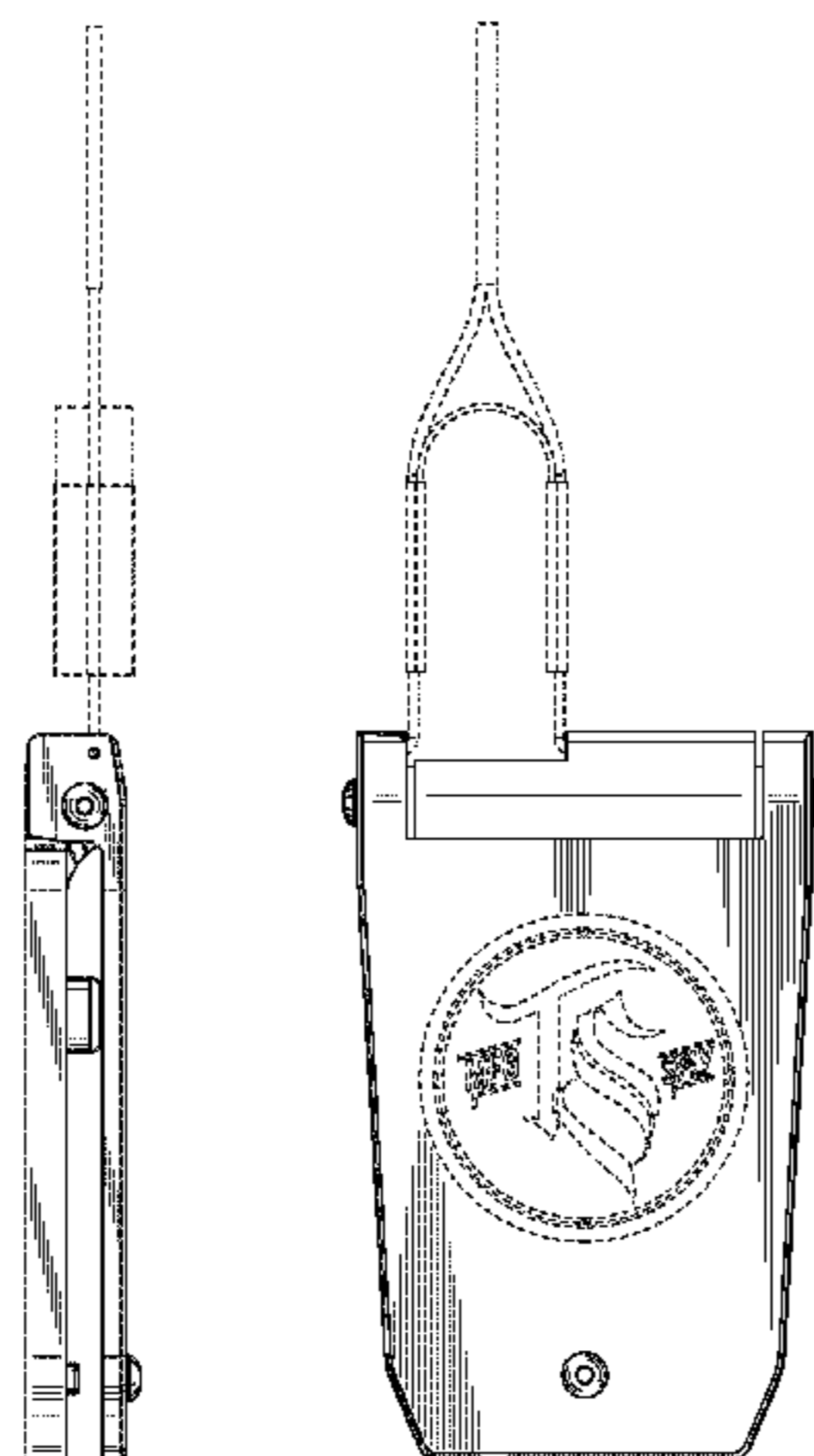
I claim the ornamental design for a tattoo machine foot switch, as shown and described.

**DESCRIPTION**

FIG. 1 is a perspective view of a tattoo machine foot switch, showing my new design;  
FIG. 2 is a rear elevational view thereof;  
FIG. 3 is a front elevational view thereof;  
FIG. 4 is a right-side elevational view thereof, the left-side elevational view being a mirror image thereof;  
FIG. 5 is a top plan view thereof;  
FIG. 6 is a bottom plan view thereof; and,  
FIG. 7 is a right-side exploded perspective view thereof, the left-side exploded perspective view being a mirror image thereof.

The outermost broken line of the circle in FIGS. 1, 5, and 7 that are immediately adjacent to the claim and encompass structures not included in the claim, represent the bounds of the claim while all other broken lines, are directed to environment; the broken lines form no part of the claimed design.

**1 Claim, 4 Drawing Sheets**



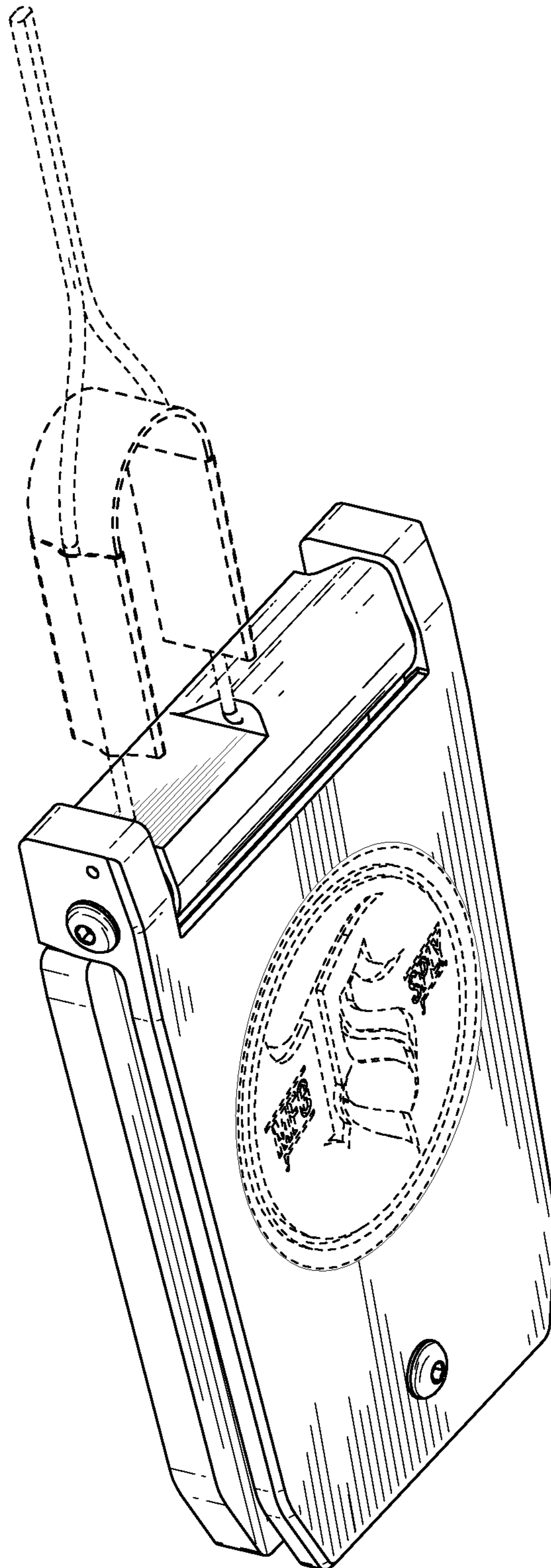


FIG. 1

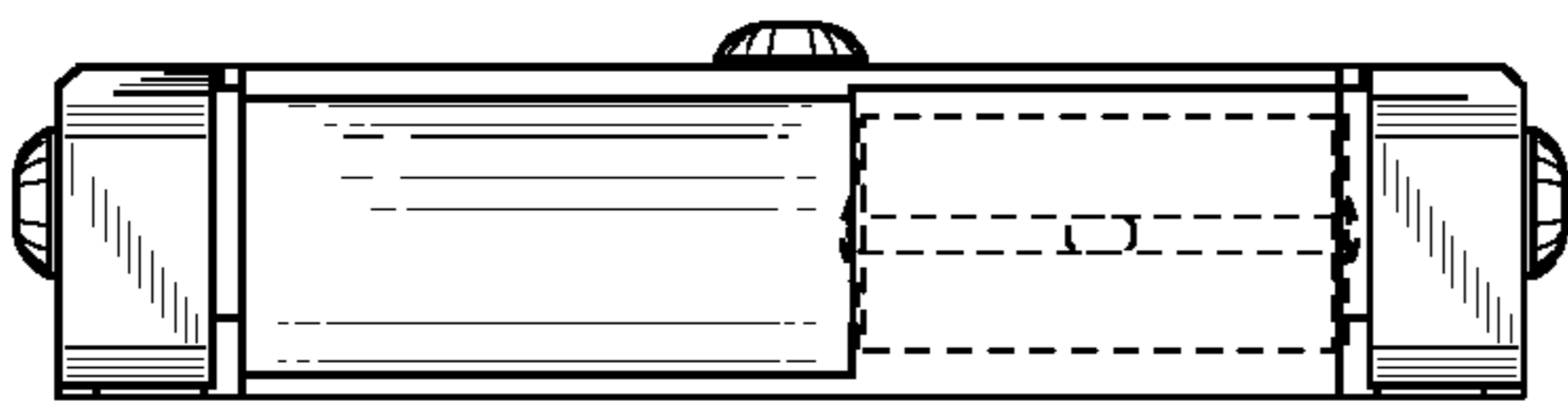


FIG. 2

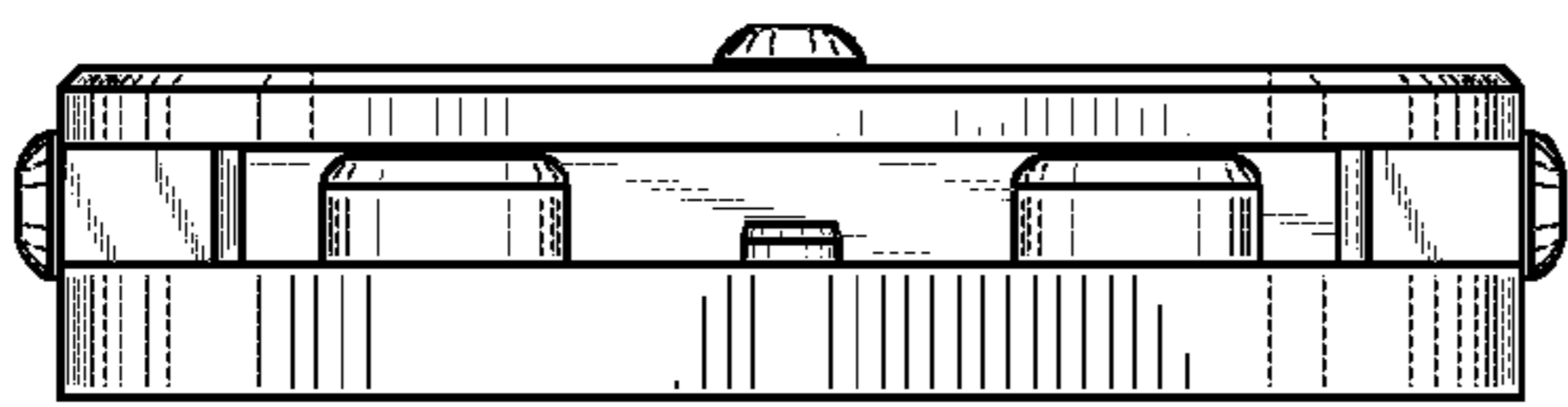


FIG. 3

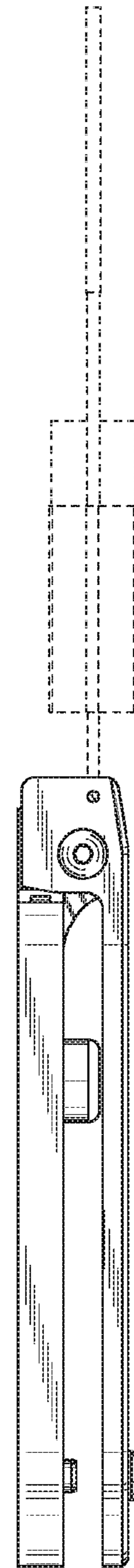


FIG. 4

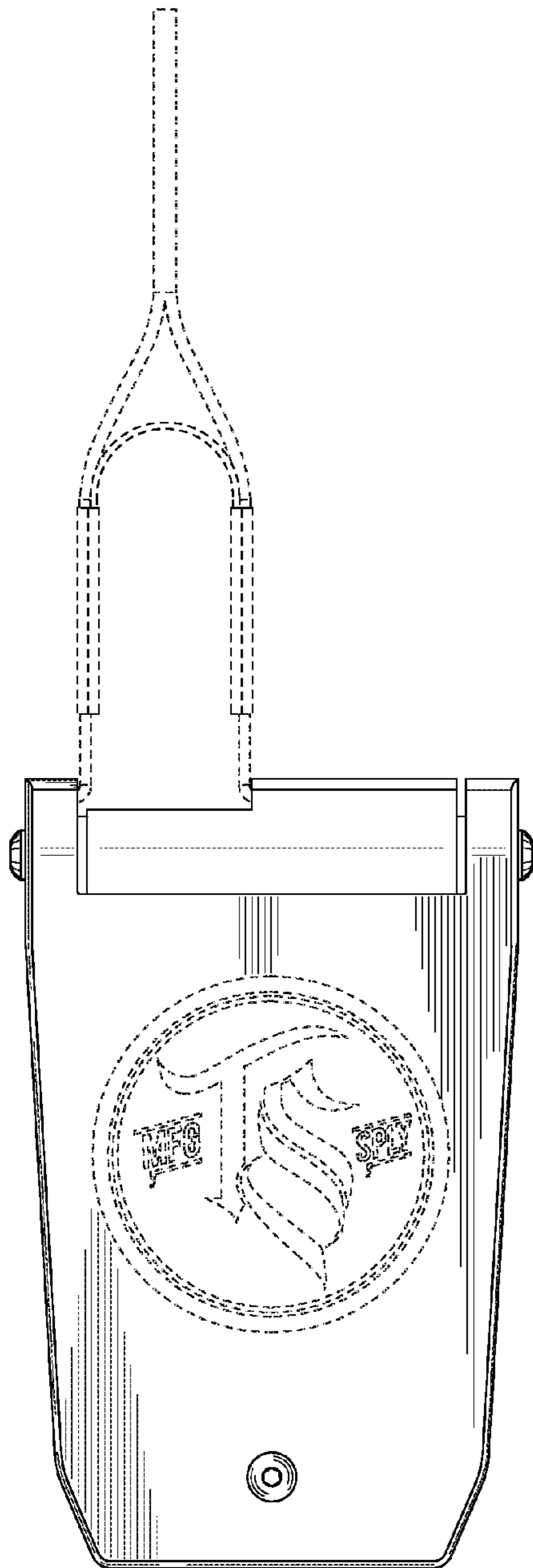


FIG. 5

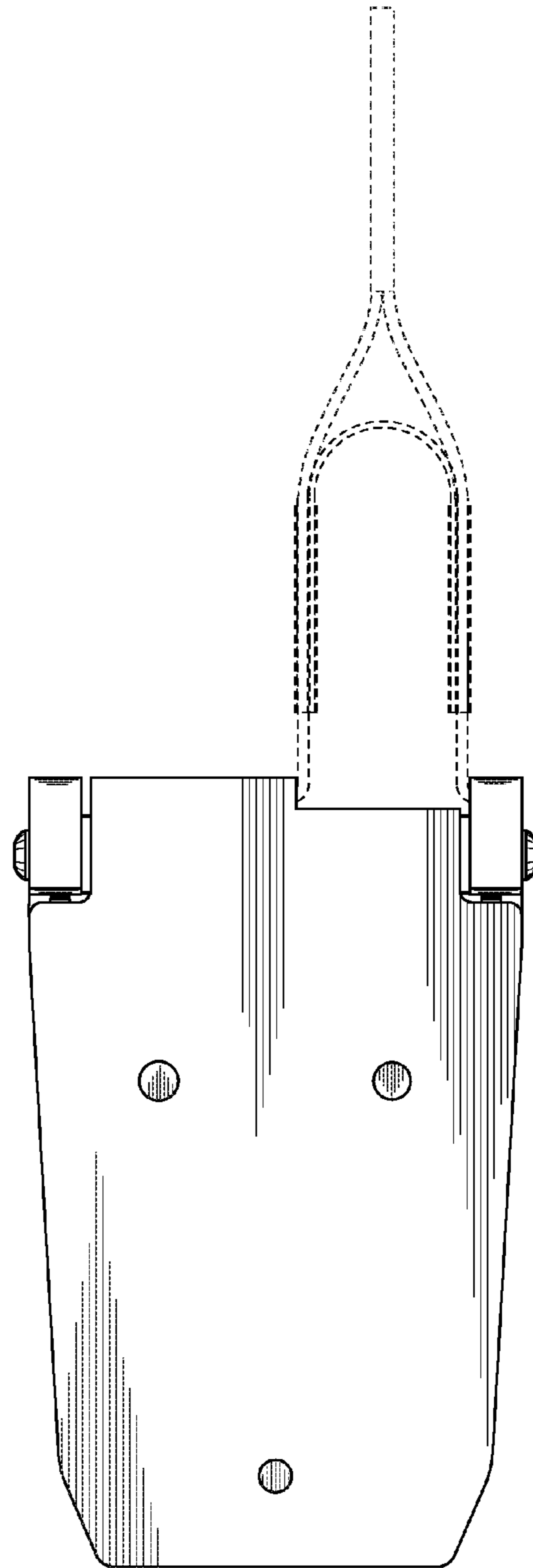


FIG. 6

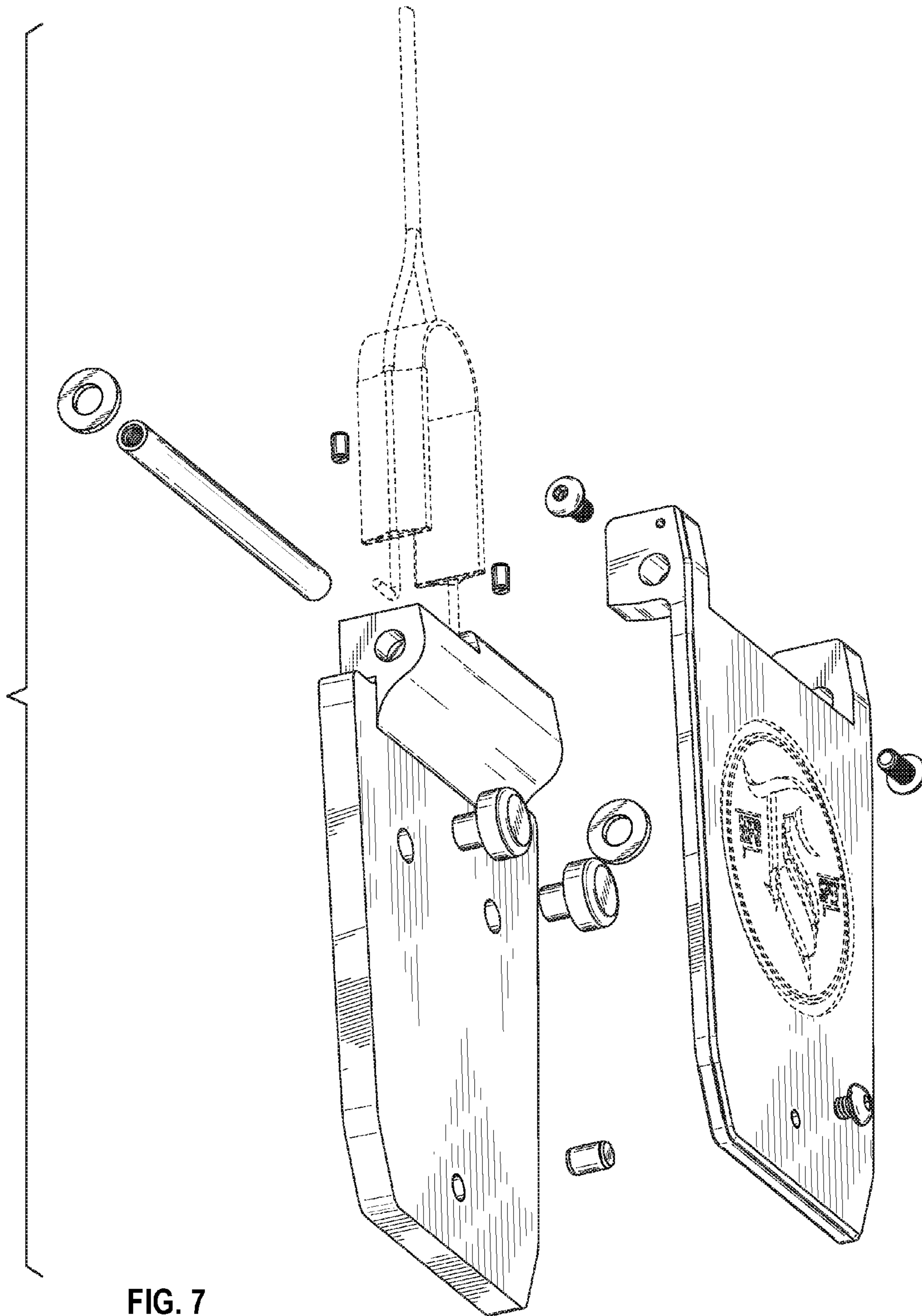


FIG. 7