



US00D751705S

(12) **United States Design Patent**  
**Hitscherich, Jr. et al.**

(10) **Patent No.:** **US D751,705 S**  
(45) **Date of Patent:** **\*\* Mar. 15, 2016**

(54) **SYRINGE**

(71) Applicant: **Biogen MA Inc.**, Cambridge, MA (US)  
(72) Inventors: **Carl F. Hitscherich, Jr.**, Marblehead, MA (US); **Soham Bhatt**, Cambridge, MA (US); **Nam Chen**, Cambridge, MA (US); **Chase Fetzer**, Shirley, MA (US)  
(73) Assignee: **Biogen MA Inc.**, Cambridge, MA (US)  
(\*\*) Term: **14 Years**  
(21) Appl. No.: **29/468,730**

(22) Filed: **Oct. 2, 2013**

(51) **LOC (10) Cl.** ..... **24-01**

(52) **U.S. Cl.**  
USPC ..... **D24/130**

(58) **Field of Classification Search**  
USPC ..... D24/127-131, 112-114, 133, 186, 104;  
606/181, 185; 604/264, 272, 115, 232,  
604/187, 158, 164.08, 192, 263, 163, 181,  
604/184, 198, 227; 600/101, 139, 143;  
128/200.24, 207.14, 207.15  
CPC ..... A61M 5/322; A61M 5/31511; A61M  
5/3202; A61M 5/326; A61M 5/347  
See application file for complete search history.

(56) **References Cited**

**U.S. PATENT DOCUMENTS**

D212,991 S \* 12/1968 Evers ..... D24/114  
D274,470 S \* 6/1984 Lundquist ..... D24/114  
D335,344 S \* 5/1993 Hastings ..... D24/114  
2,617,880 A 11/1993 Streck et al.

(Continued)

**FOREIGN PATENT DOCUMENTS**

EP 1 062 961 A1 12/2000  
EP 1 417 981 A1 5/2004

(Continued)

**OTHER PUBLICATIONS**

International Search Report for PCT/US13/34396, United States, Jun. 17, 2013, 2 pages.

*Primary Examiner* — David Muller  
*Assistant Examiner* — Nathan Johnston  
(74) *Attorney, Agent, or Firm* — Sterne, Kessler, Goldstein & Fox P.L.L.C.

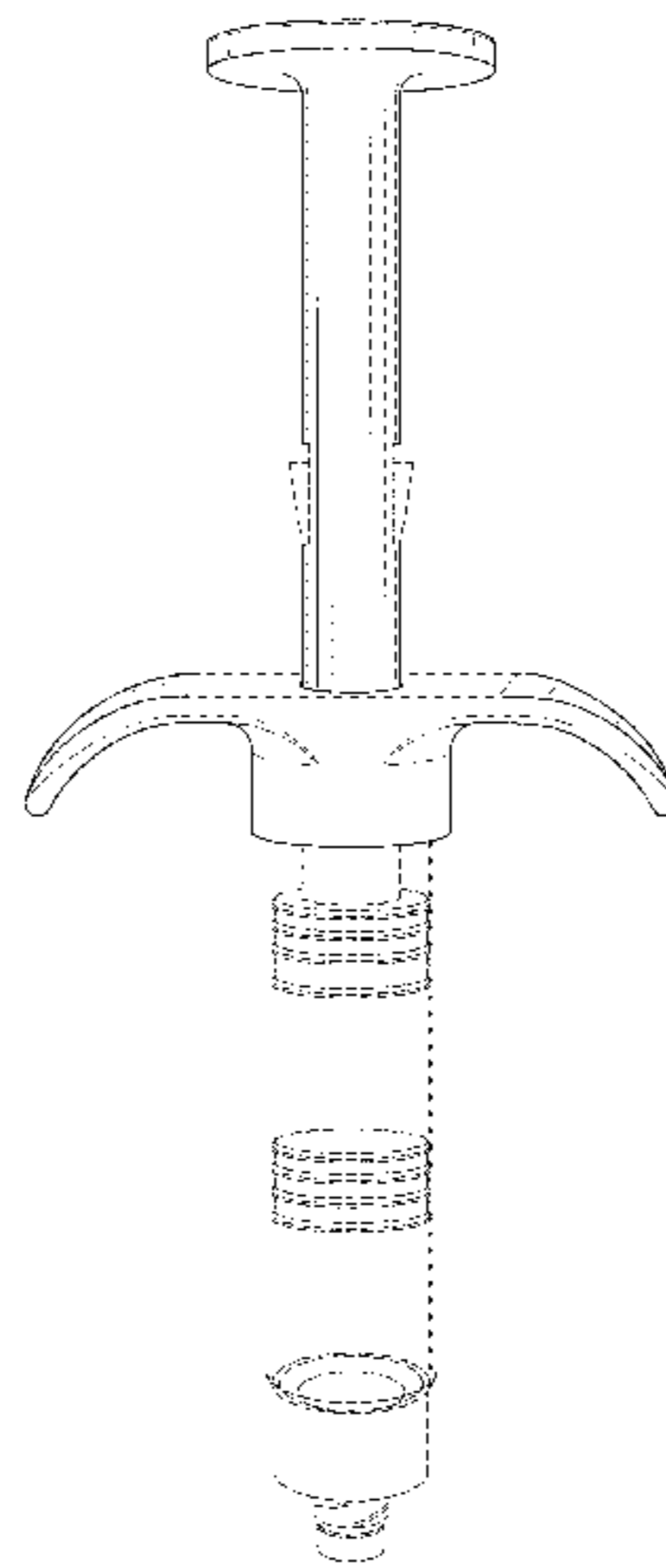
(57) **CLAIM**

The ornamental design for a syringe, as shown and described.

**DESCRIPTION**

FIG. 1 is a top perspective view of a portion of a syringe showing our new design;  
FIG. 2 is a front elevation view thereof;  
FIG. 3 is a rear elevation view thereof;  
FIG. 4 is a right elevation side view thereof;  
FIG. 5 is a left side elevation view thereof;  
FIG. 6 is a top plan view thereof;  
FIG. 7 is a bottom plan view thereof;  
FIG. 8 is a bottom perspective view thereof;  
FIG. 9 is a top perspective view of another portion of the syringe showing our new design;  
FIG. 10 is a right side elevation view thereof;  
FIG. 11 is a left side elevation view thereof;  
FIG. 12 is a front elevation view thereof;  
FIG. 13 is a rear elevation view thereof;  
FIG. 14 is a top plan view thereof;  
FIG. 15 is a bottom plan view thereof;  
FIG. 16 is a bottom perspective view thereof; and,  
FIG. 17 is a front elevation view of the portions of FIGS. 1-16 combined to form the entire syringe showing our new design in an environment in which it may be used.  
The broken lines in the Figures show portions of the syringe that form no part of the claimed design, and in FIG. 17 also show an unclaimed environment in which the syringe may be used.

**1 Claim, 17 Drawing Sheets**



(56)

**References Cited**

U.S. PATENT DOCUMENTS

D372,310 S \* 7/1996 Hartnett ..... D24/146  
 5,542,934 A 8/1996 Silver  
 5,582,595 A 12/1996 Haber et al.  
 5,593,391 A 1/1997 Stanners  
 D425,198 S 5/2000 Porta  
 6,296,625 B1 10/2001 Vetter et al.  
 6,626,870 B1 \* 9/2003 Yarborough et al. .... 604/199  
 6,626,921 B2 \* 9/2003 Blatter et al. .... 606/153  
 7,022,112 B2 4/2006 Pokorney  
 D543,279 S \* 5/2007 Numata et al. .... D24/130  
 7,361,162 B2 4/2008 Koller et al.  
 D581,045 S \* 11/2008 Sudo et al. .... D24/130  
 D590,500 S 4/2009 Sudo et al.  
 D610,678 S 2/2010 Kawamura  
 D627,877 S 11/2010 Schmelling et al.

D641,078 S 7/2011 Morgan et al.  
 D649,632 S 11/2011 Morgan et al.  
 D650,071 S 12/2011 McCauley  
 D661,389 S \* 6/2012 Morgan et al. .... D24/130  
 D674,086 S \* 1/2013 Khalaj ..... D24/114  
 D699,342 S \* 2/2014 Suzuki ..... D24/114  
 2008/0195059 A1 8/2008 Sudo et al.  
 2009/0182284 A1 7/2009 Morgan

FOREIGN PATENT DOCUMENTS

EP 1 958 655 A1 8/2008  
 EP 2 240 222 10/2010  
 GB 718837 11/1954  
 KR 30-0664702 S 10/2012  
 WO WO 89/09071 10/1989  
 WO WO 2013/149032 10/2013

\* cited by examiner

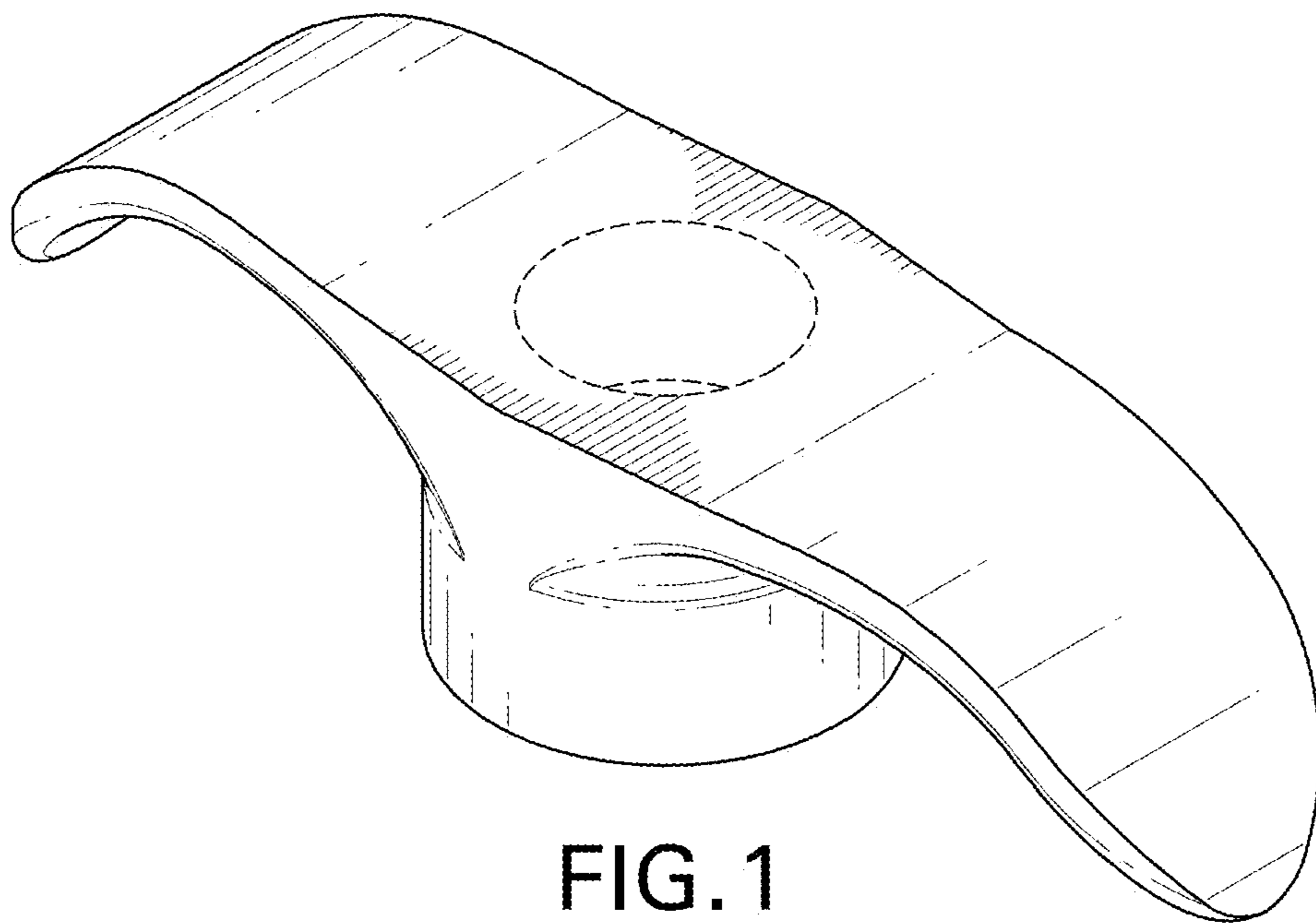


FIG. 1

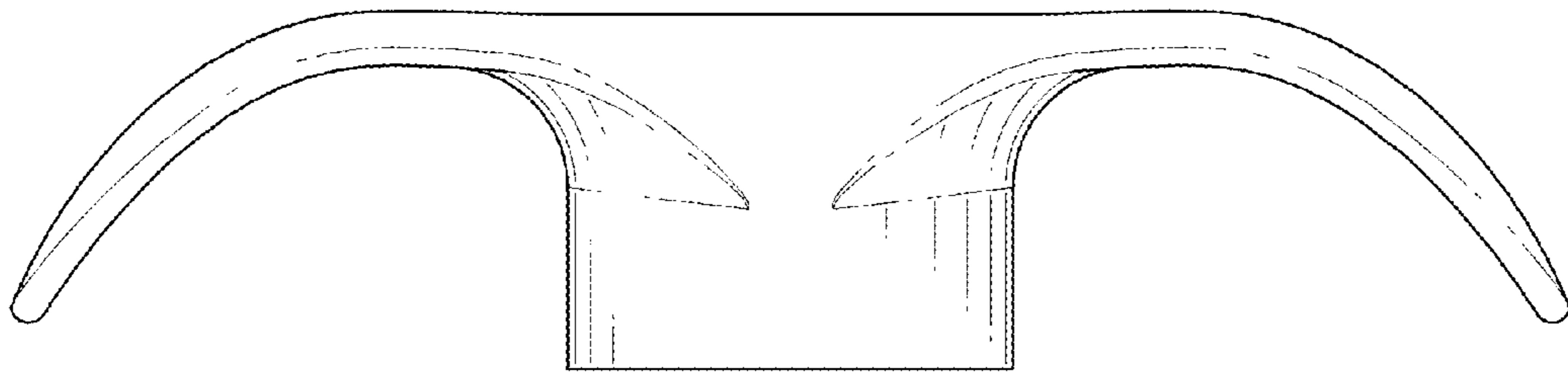


FIG. 2

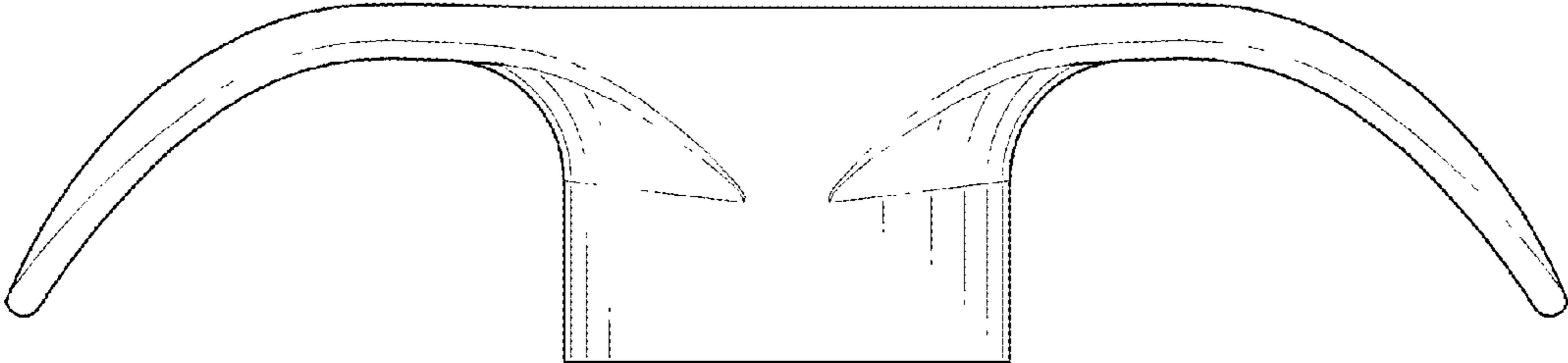


FIG. 3

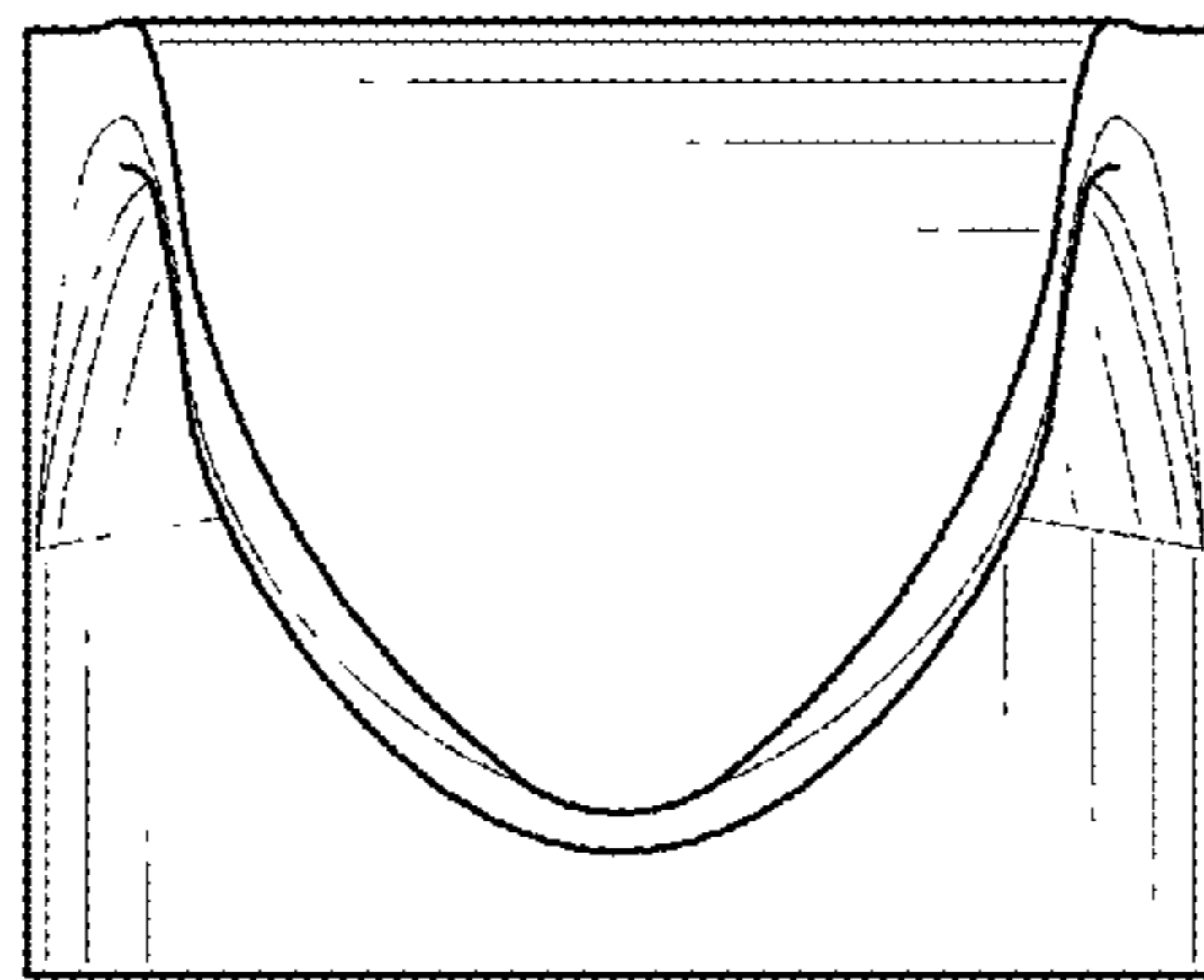


FIG.4

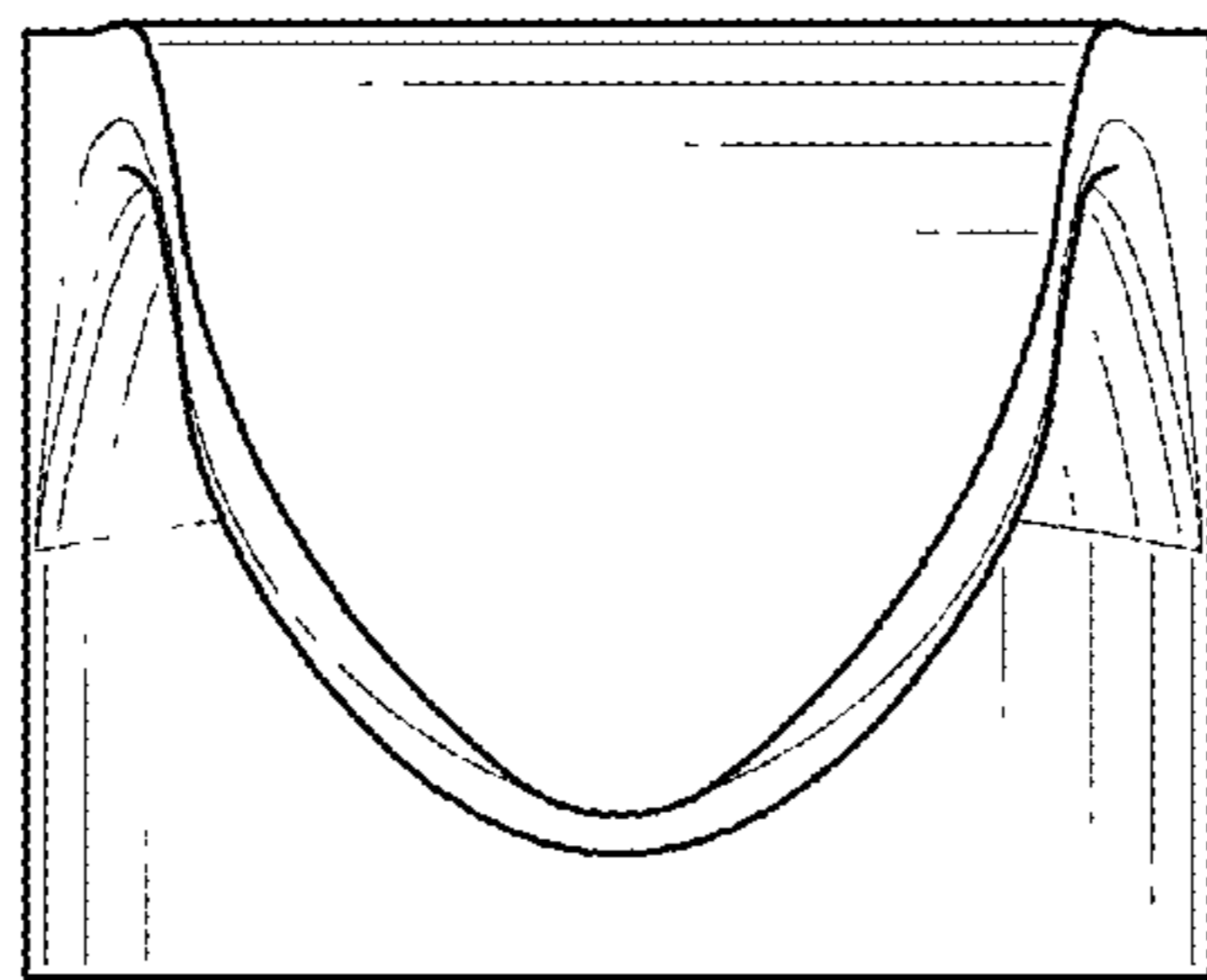


FIG. 5

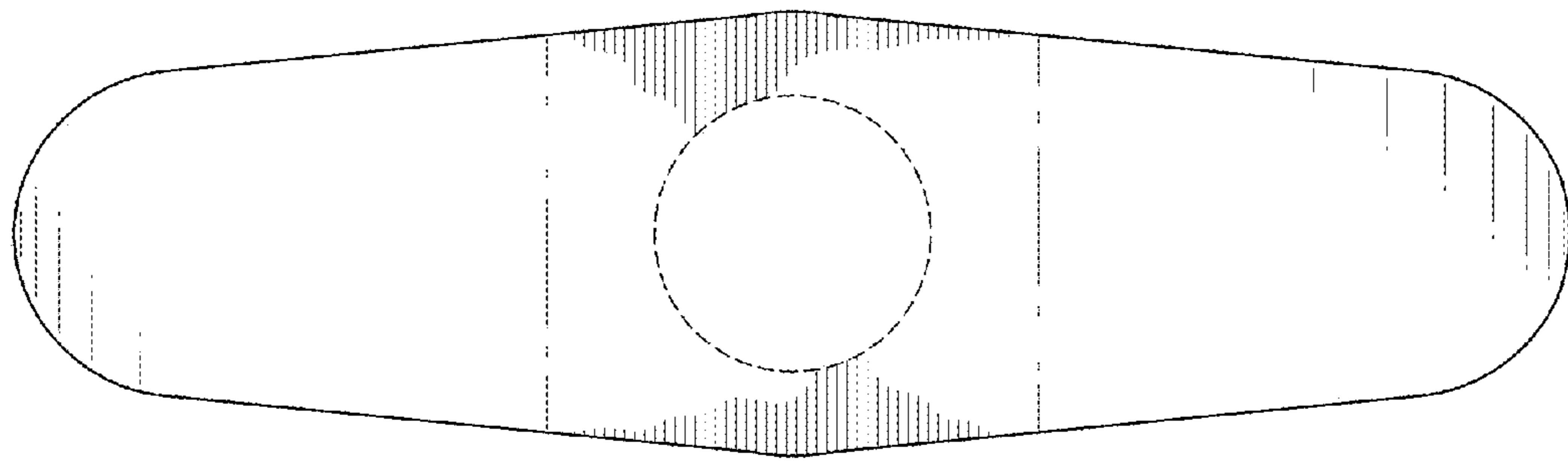


FIG. 6



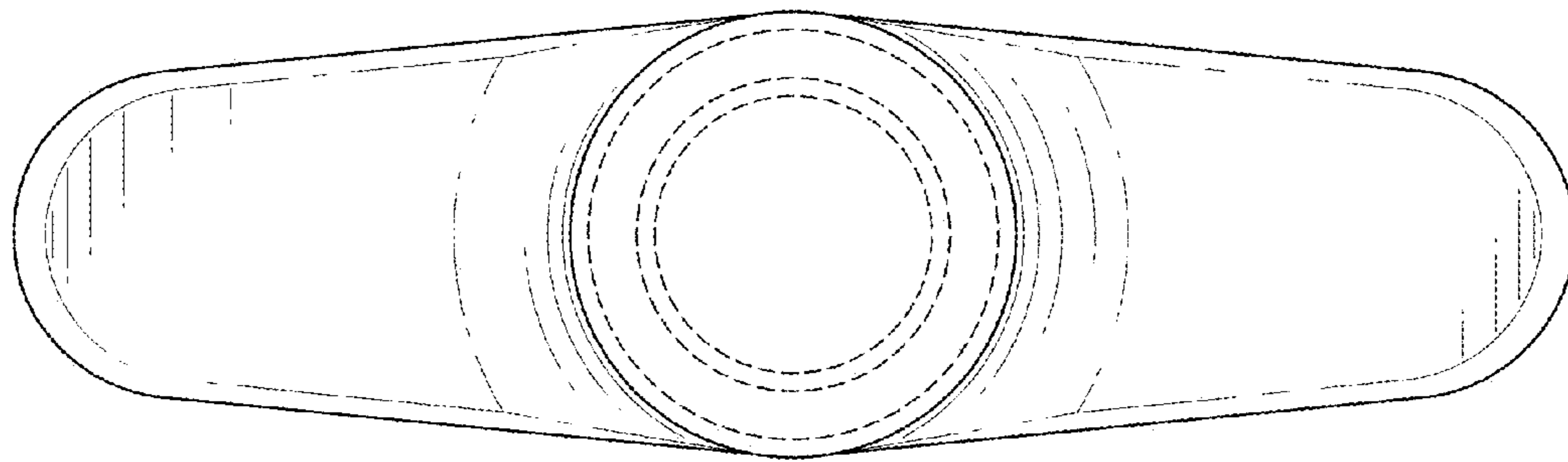


FIG. 7

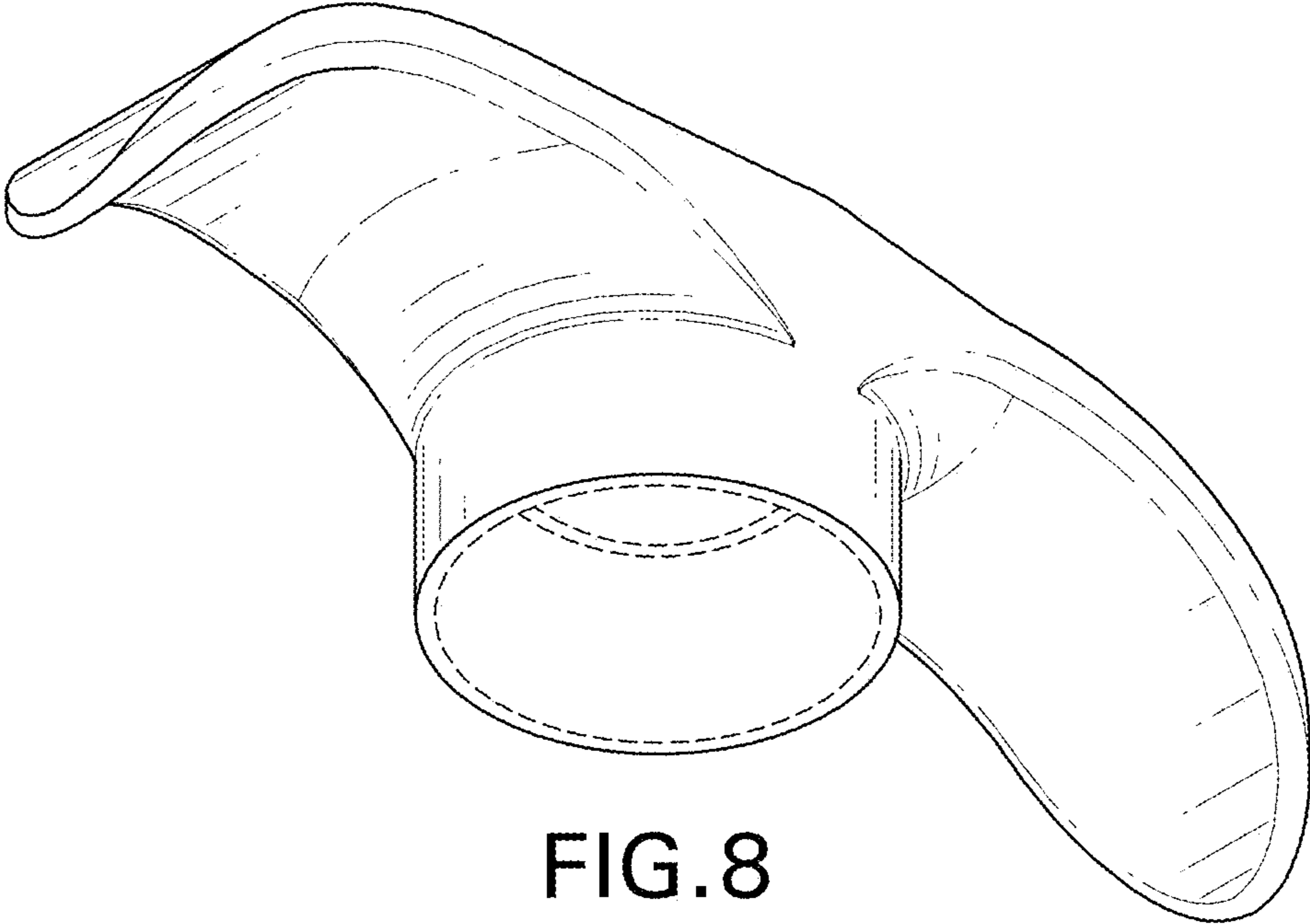


FIG. 8

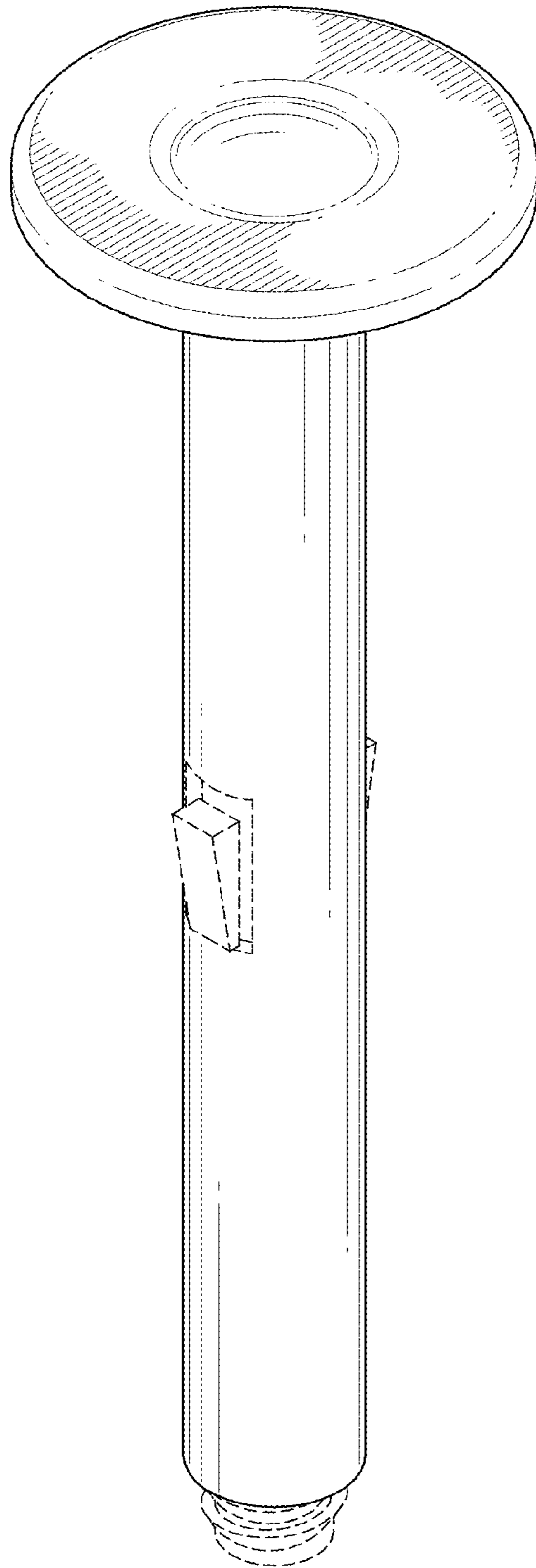


FIG. 9

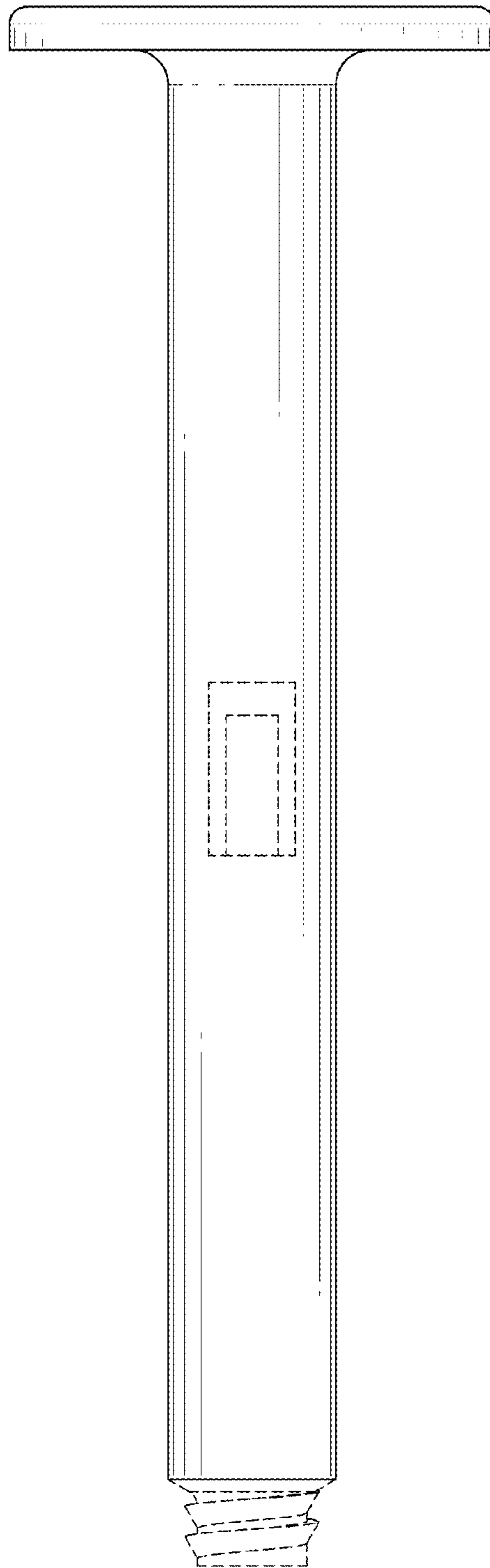


FIG. 10

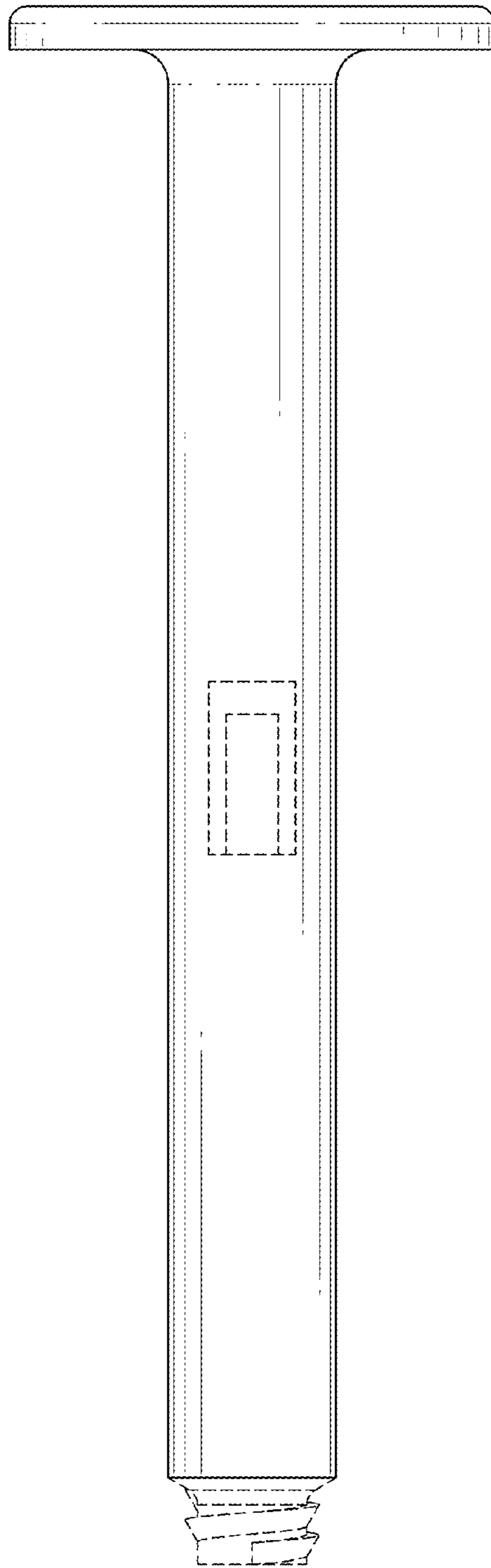


FIG. 11

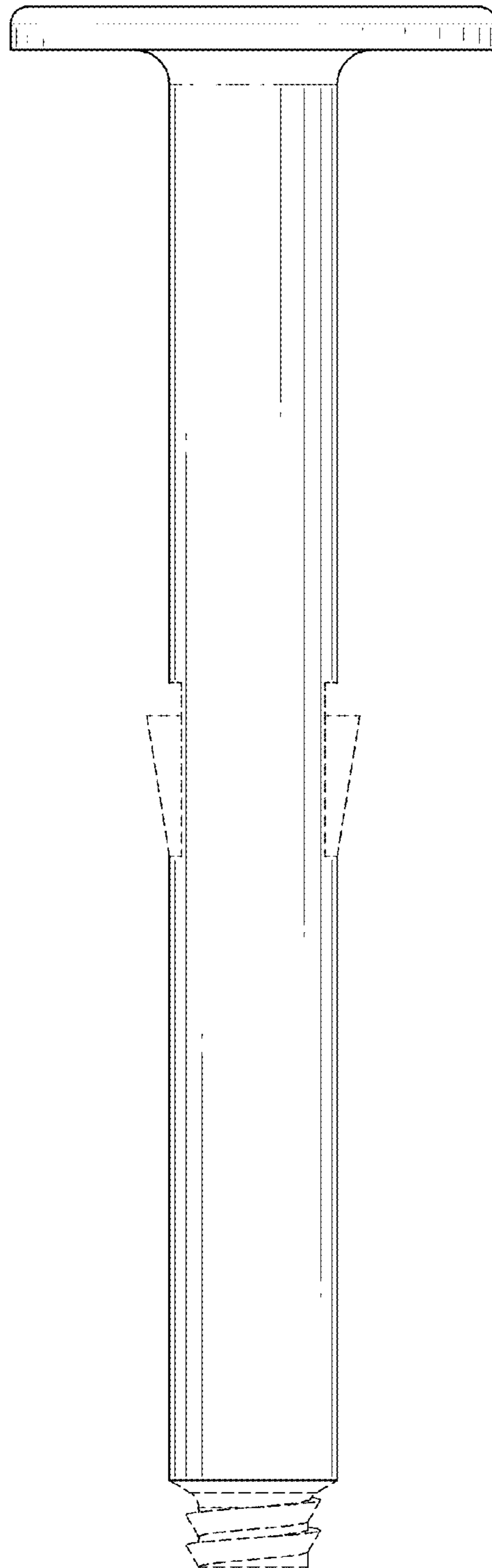


FIG. 12

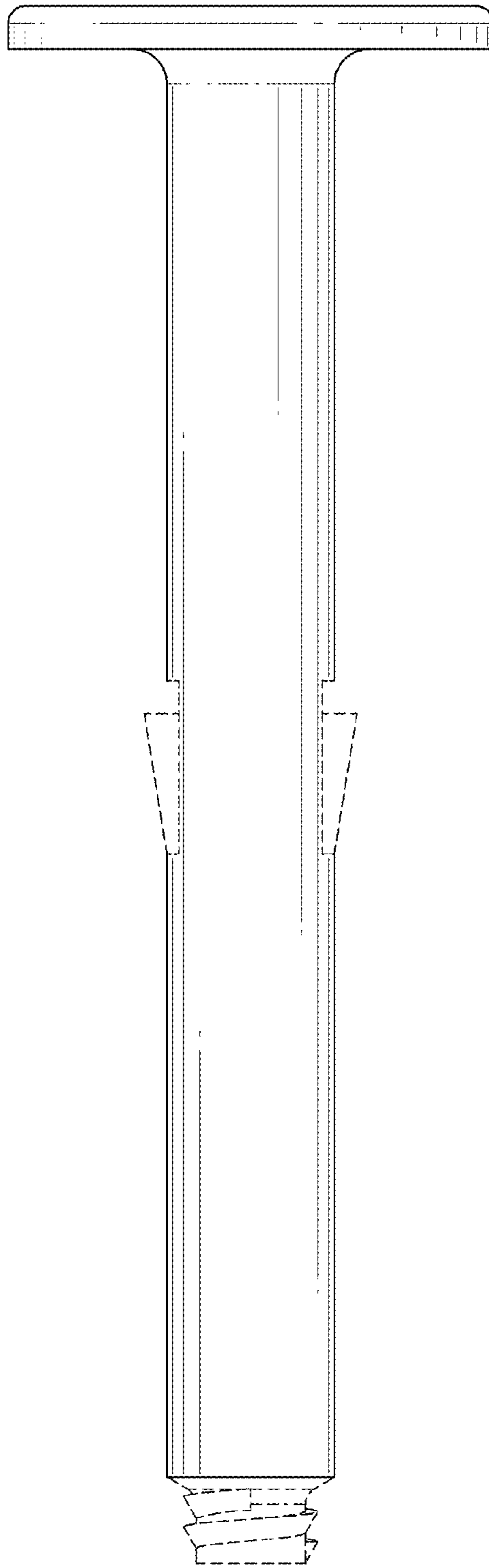


FIG. 13

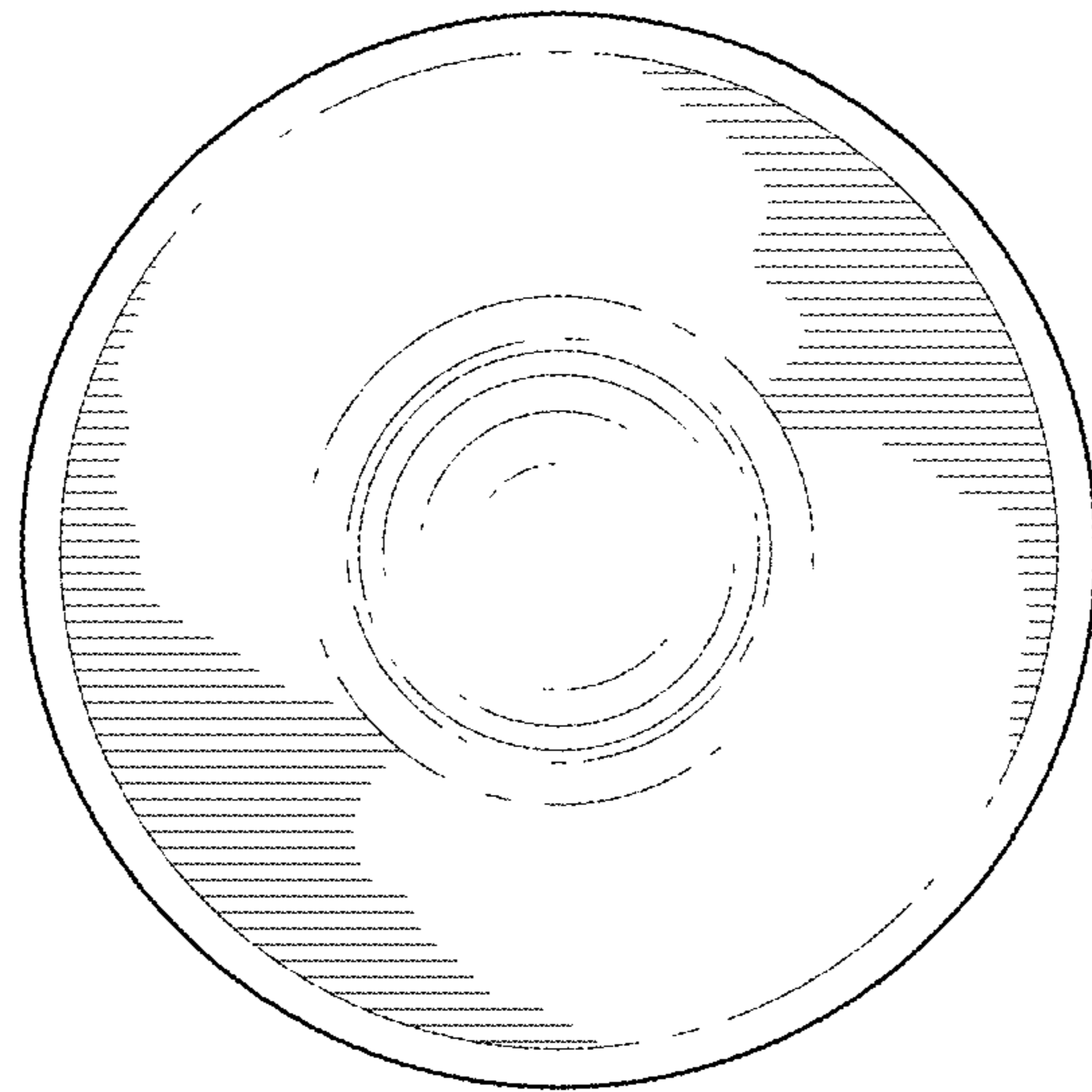


FIG. 14



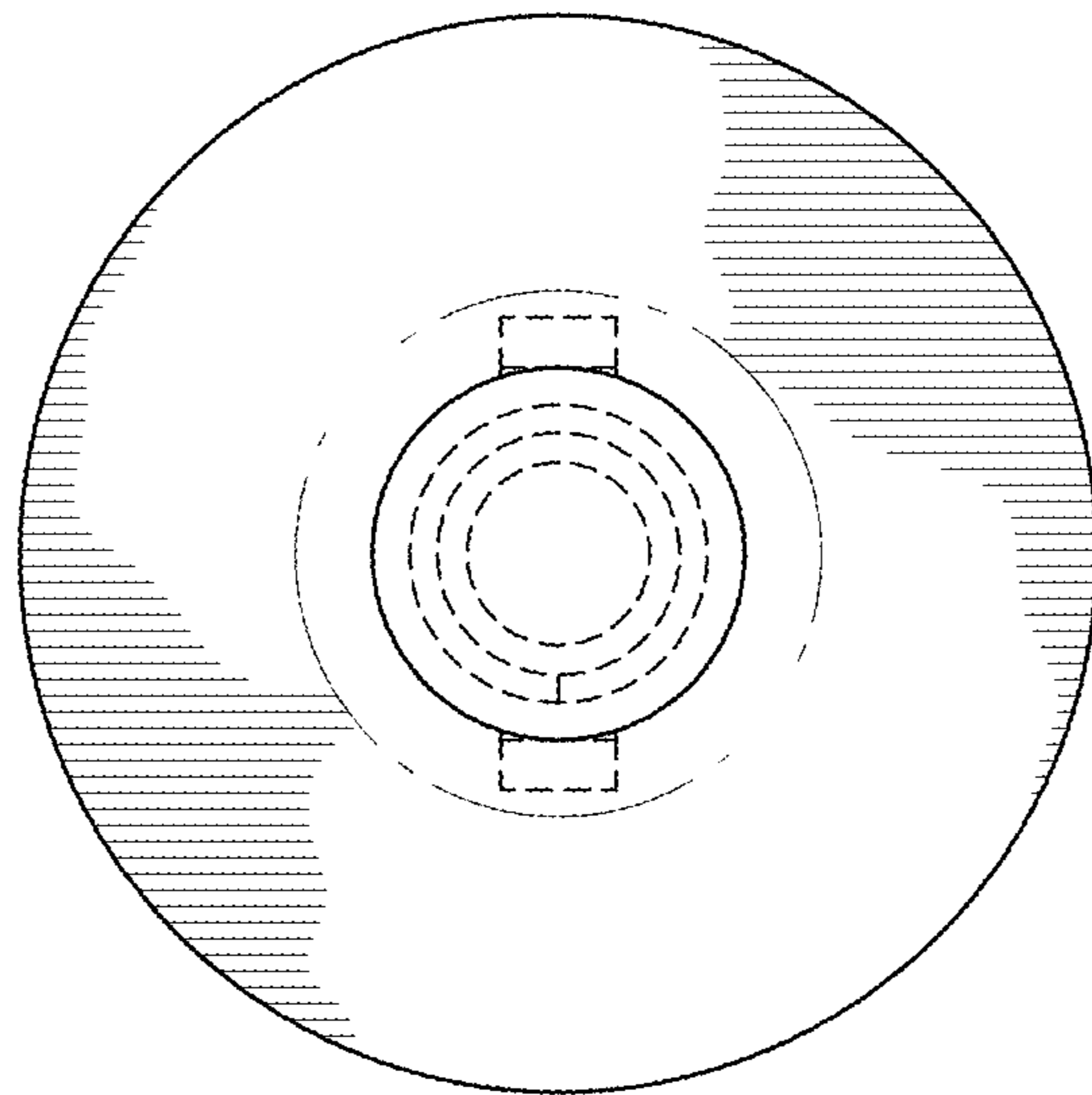


FIG. 15

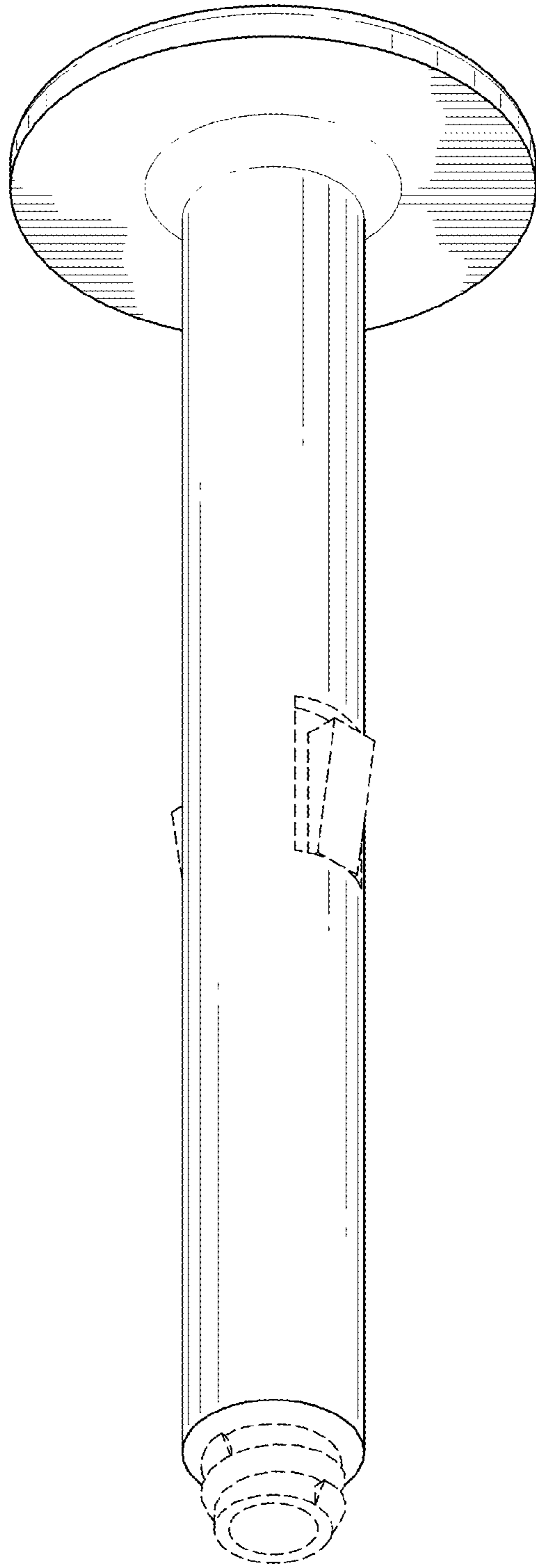


FIG. 16

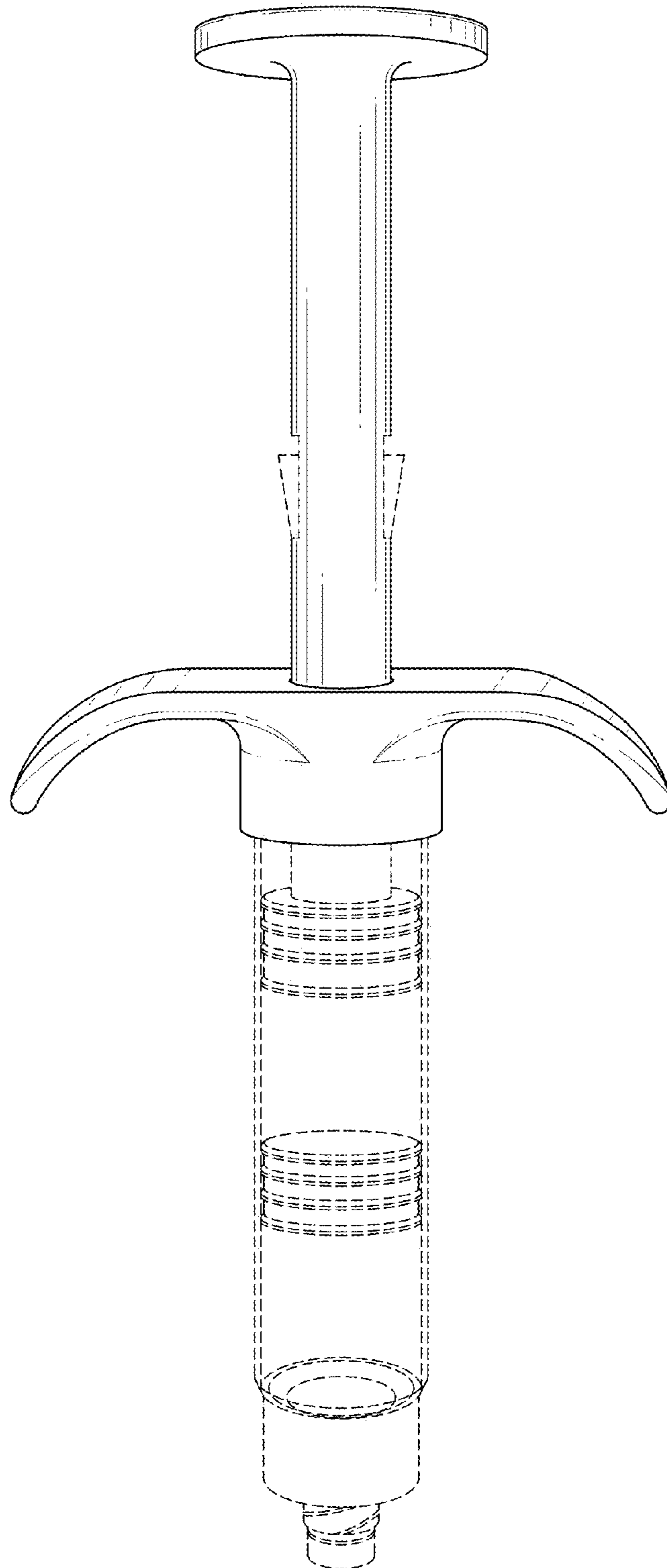


FIG. 17