



US00D751703S

(12) **United States Design Patent**  
**Corydon et al.**

(10) **Patent No.:** **US D751,703 S**  
(45) **Date of Patent:** **\*\* Mar. 15, 2016**

(54) **COMPACT MALE URINARY CATHETER**

(71) Applicant: **Coloplast A/S**, Humlebaek (DK)

(72) Inventors: **Marlene Corydon**, Espergaerde (DK);  
**Bent Hagel**, Fredensborg (DK); **Benny Matthiassen**, Lyngby (DK)

(73) Assignee: **Coloplast A/S**, Humelbaek (DK)

(\*\*) Term: **14 Years**

(21) Appl. No.: **29/458,413**

(22) Filed: **Jun. 19, 2013**

(30) **Foreign Application Priority Data**

Jun. 10, 2013 (EM) ..... 002252627

(51) **LOC (10) Cl.** ..... **24-02**

(52) **U.S. Cl.**  
USPC ..... **D24/130**

(58) **Field of Classification Search**  
USPC ..... D24/130, 127, 133, 129, 112-114, 186,  
D24/108; 604/508, 509, 510, 15, 38, 219,  
604/73, 214, 218, 228  
CPC . A61M 25/0662; A61M 25/10; A61M 27/00;  
A61M 3/0279; A61B 8/21  
See application file for complete search history.

(56) **References Cited**

**U.S. PATENT DOCUMENTS**

D353,668 S \* 12/1994 Banks et al. .... D24/112  
D355,031 S \* 1/1995 Yoshikawa ..... D24/112

(Continued)

**FOREIGN PATENT DOCUMENTS**

DK PA 2001 01041 12/2002  
WO 98/11932 3/1998

(Continued)

**OTHER PUBLICATIONS**

DK Design Application No. MA 1997 00852(Coloplast A/S) filed Feb. 10, 1997, Publication No. MR 1998 00043 published Oct. 17, 1997.

*Primary Examiner* — Garth Rademaker

*Assistant Examiner* — Samantha Q Lawrence

(74) *Attorney, Agent, or Firm* — Coloplast Corp., Coloplast A/S; Nick Baumann

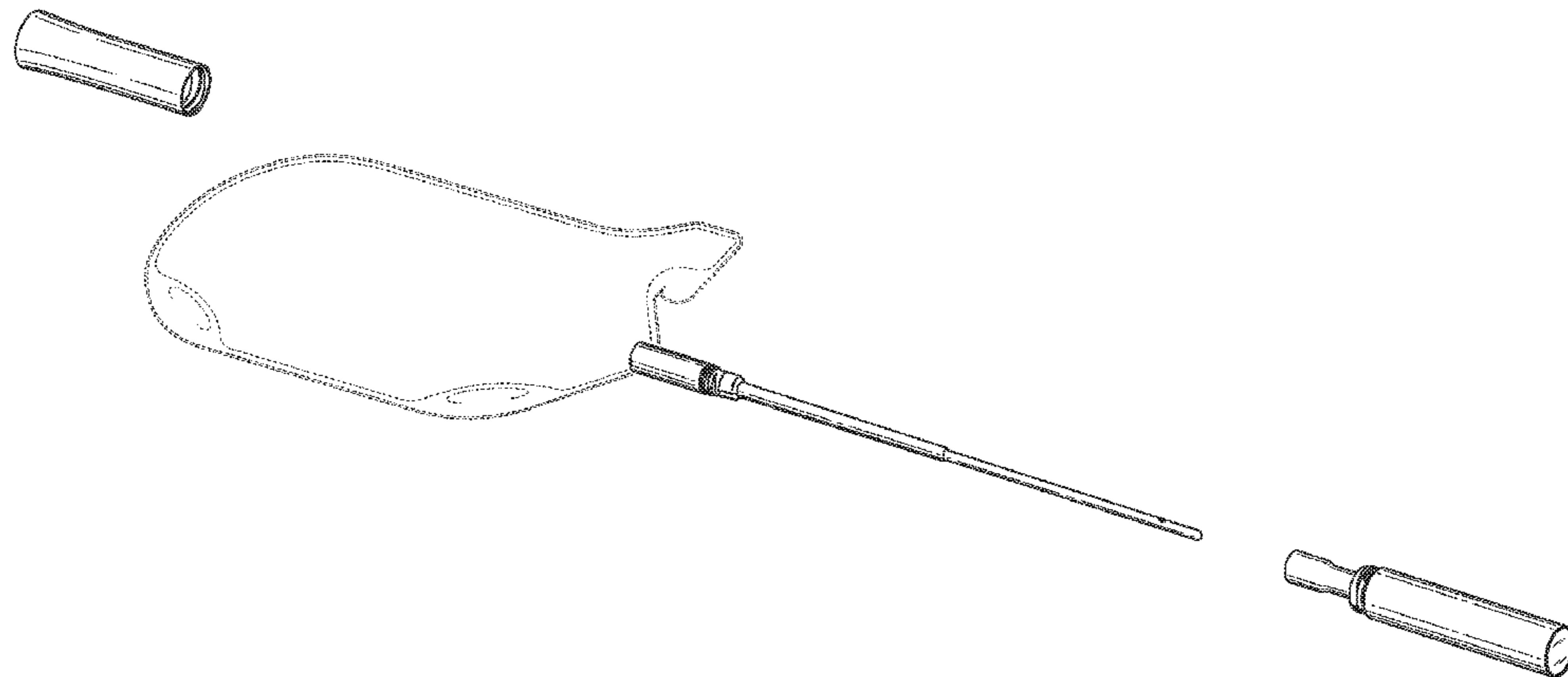
(57) **CLAIM**

The ornamental design for a compact male urinary catheter, as shown and described.

**DESCRIPTION**

FIG. 1 is an isometric and exploded view of one embodiment of a compact male urinary catheter;  
FIG. 2 is a perspective view of a cap of the compact male urinary catheter illustrated in FIG. 1;  
FIG. 3 is a perspective view of a catheter of the compact male urinary catheter illustrated in FIG. 1;  
FIG. 4 is a perspective view of a container portion of the compact male urinary catheter illustrated in FIG. 1;  
FIG. 5 a front side view of the compact male urinary catheter illustrated in FIG. 1, where a back side view is not illustrated as it is a mirror image of the front side view;  
FIG. 6 is a left side view of the compact male urinary catheter illustrated in FIG. 1;  
FIG. 7 is a right side view of the compact male urinary catheter illustrated in FIG. 1;  
FIG. 8 is a top side view of the compact male urinary catheter illustrated in FIG. 1, where a bottom side view is not illustrated as it is a mirror image of the top side view;  
FIG. 9 is an isometric view of the compact male urinary catheter illustrated in FIG. 1 in an assembled state to show an end of the cap;  
FIG. 10 is a front side view of the compact male urinary catheter illustrated in FIG. 9, where a back side view is not illustrated as it is a mirror image of the front side view;  
FIG. 11 is a left side view of the compact male urinary catheter illustrated in FIG. 9; and,  
FIG. 12 is a right side view of the compact male urinary catheter illustrated in FIG. 9.  
In FIG. 1-FIG. 8 the broken lines illustrate a urine collection bag associated with the compact male urinary catheter and form no part of the claimed design.  
In FIG. 9-FIG. 10 the broken lines illustrate a seal placed around the assembled compact male urinary catheter and form no part of the claimed design.

**1 Claim, 12 Drawing Sheets**



# US D751,703 S

Page 2

(56)

## References Cited

### U.S. PATENT DOCUMENTS

D381,422 S \* 7/1997 Erskine et al. .... D24/130  
D383,538 S \* 9/1997 Erskine et al. .... D24/130  
D395,501 S \* 6/1998 Erskine et al. .... D24/112  
5,843,027 A \* 12/1998 Stone et al. .... 604/509  
D505,067 S \* 5/2005 Nestenborg ..... D9/722  
D531,724 S \* 11/2006 Gessert et al. .... D24/133  
D542,414 S \* 5/2007 Atkins ..... D24/130  
D542,914 S \* 5/2007 Tanghoj ..... D24/112  
D558,339 S \* 12/2007 Christopher et al. .... D24/130  
7,613,503 B2 \* 11/2009 Hamm ..... 600/476  
D624,238 S \* 9/2010 Turner ..... D27/101  
D627,064 S \* 11/2010 Appelbaum et al. .... D24/130  
D666,712 S \* 9/2012 Laurence ..... D24/130  
D679,803 S \* 4/2013 Carter ..... D24/112  
D695,891 S \* 12/2013 Biel et al. .... D24/112  
D700,318 S \* 2/2014 Amoah et al. .... D24/112  
D710,495 S \* 8/2014 Wu et al. .... D24/112  
D713,957 S \* 9/2014 Woehr et al. .... D24/112  
2003/0004496 A1 1/2003 Tanghoj  
2005/0245892 A1 \* 11/2005 Elkins et al. .... 604/508  
2006/0254604 A1 \* 11/2006 Martinez Fernandez .... 131/273  
2007/0083154 A1 \* 4/2007 Sauvageau ..... 604/73

2013/0259921 A1 \* 10/2013 Hossainy ..... 424/450  
2014/0107614 A1 \* 4/2014 Barron et al. .... 604/508  
2014/0275774 A1 \* 9/2014 Tarazona et al. .... 600/106

### FOREIGN PATENT DOCUMENTS

WO 00/30696 6/2000  
WO 03/002043 1/2003  
WO 03/002177 1/2003  
WO 03/002178 1/2003  
WO 03/002179 1/2003  
WO 03/002325 1/2003  
WO 2004/056909 7/2004  
WO 2006/002644 1/2006  
WO 2006/045809 5/2006  
WO 2006/119781 11/2006  
WO 2008/104603 9/2008  
WO 2008/138352 11/2008  
WO 2013/029620 3/2013  
WO 2013/029621 3/2013  
WO 2013/029622 3/2013  
WO 2013/075725 5/2013  
WO 2013/083137 6/2013

\* cited by examiner

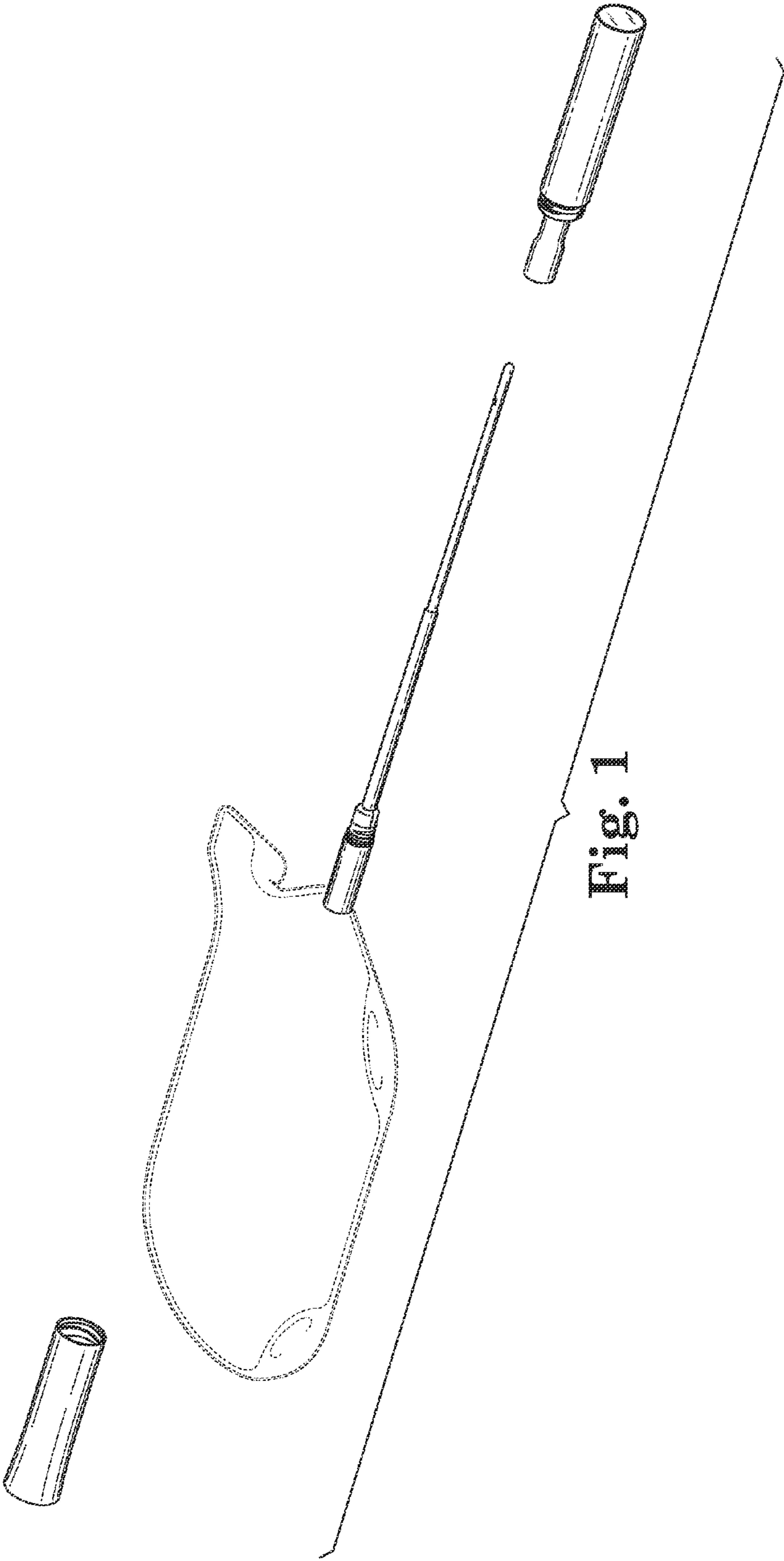


Fig. 1

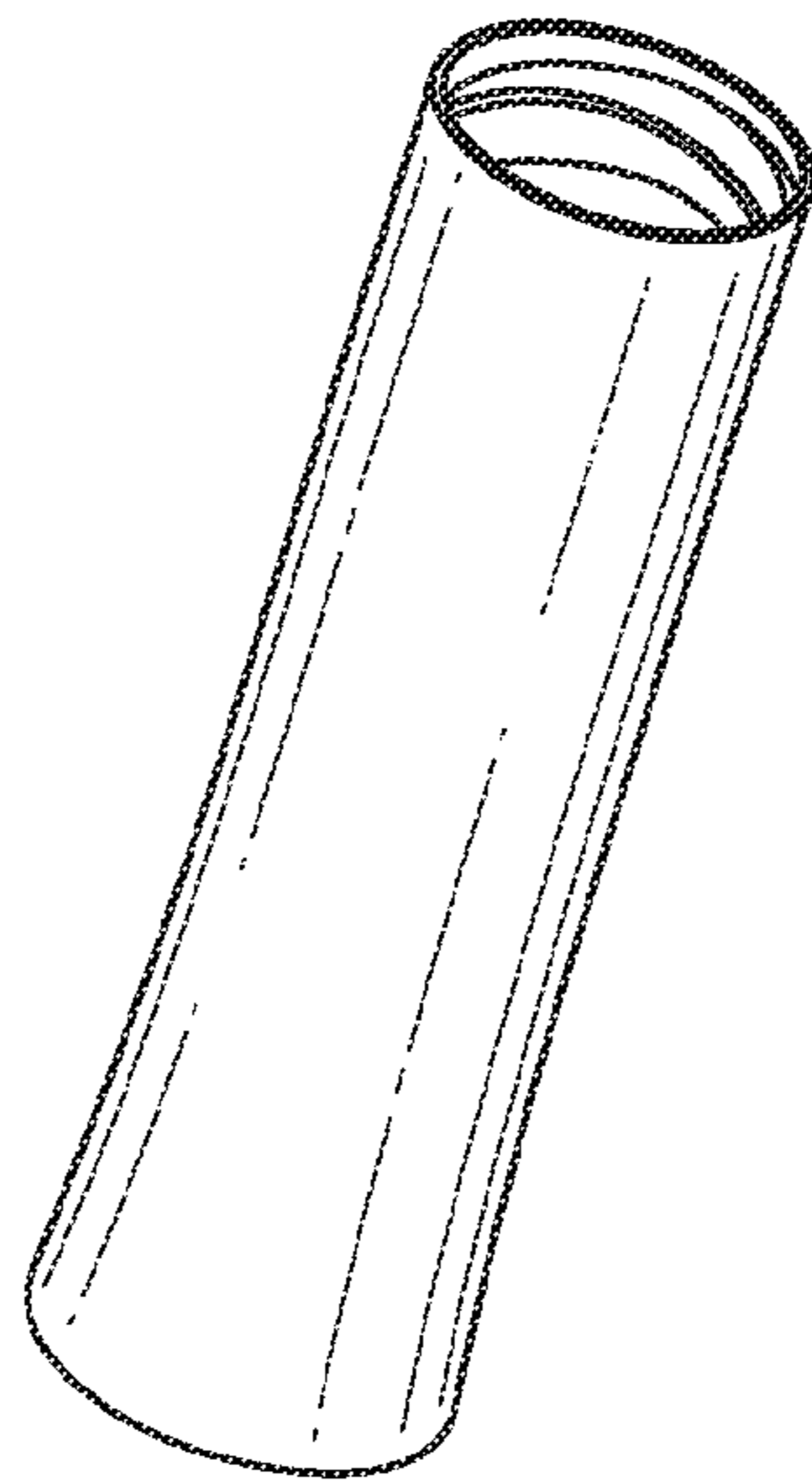


Fig. 2

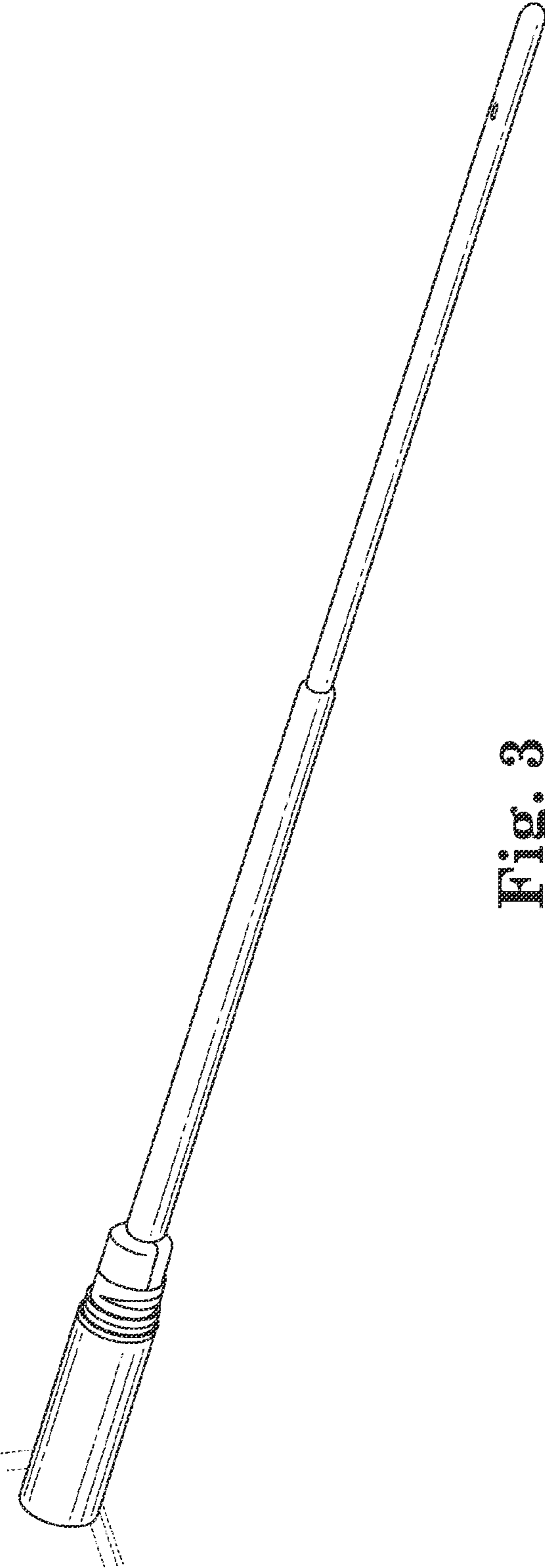


Fig. 3

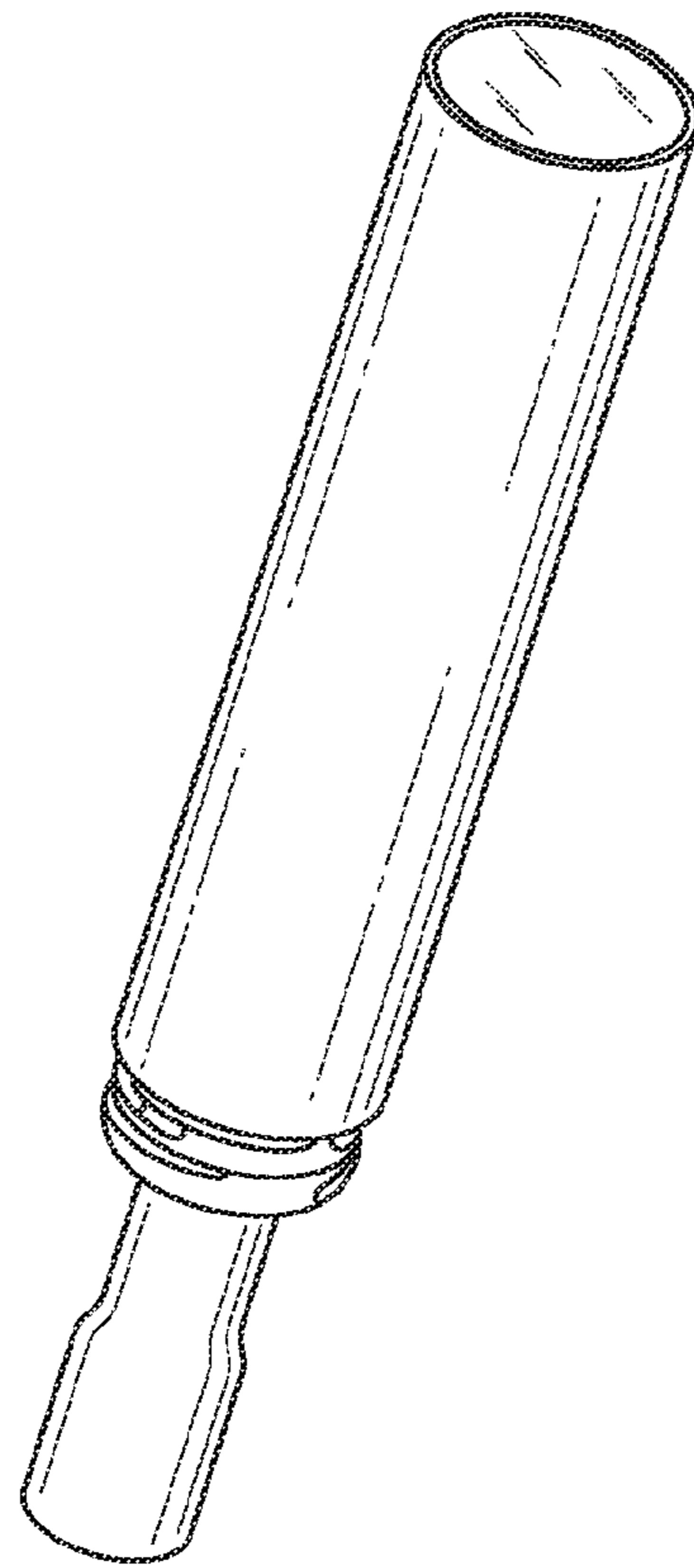


Fig. 4

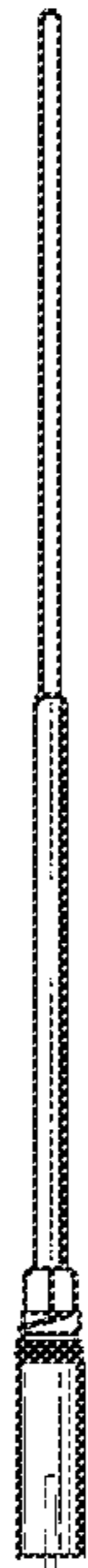
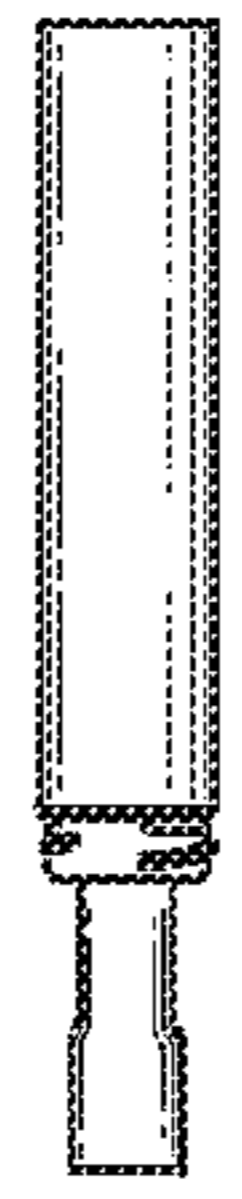


Fig. 5

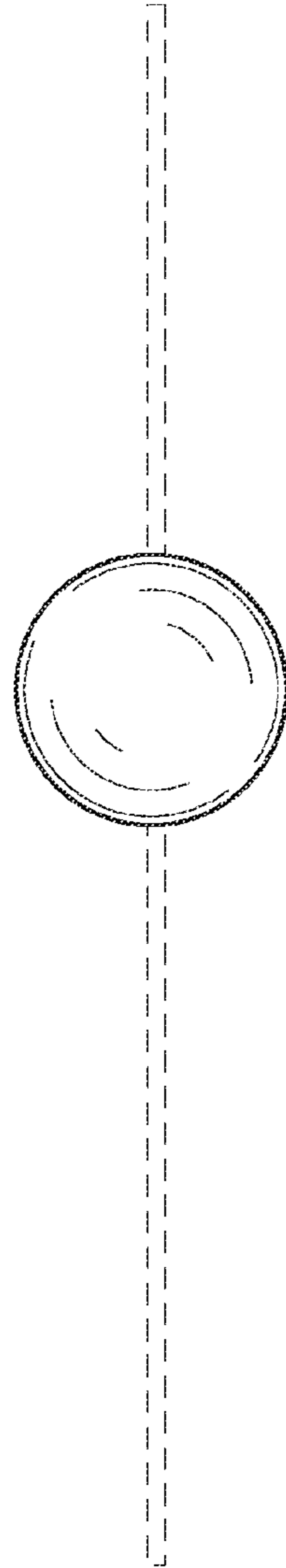


Fig. 6



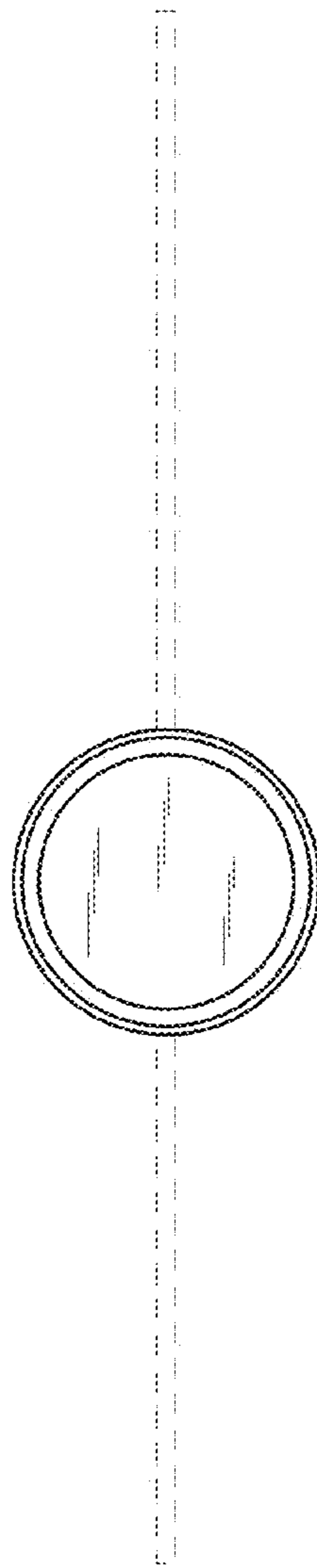


Fig. 7

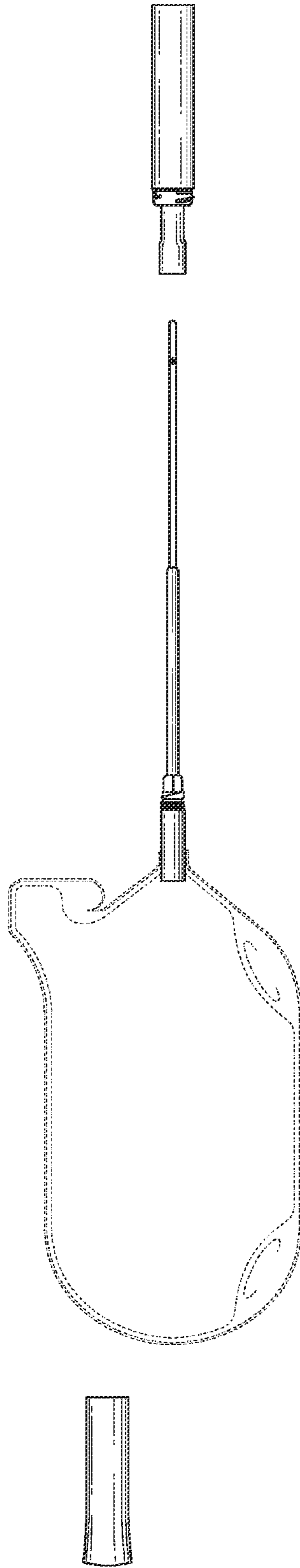


Fig. 8

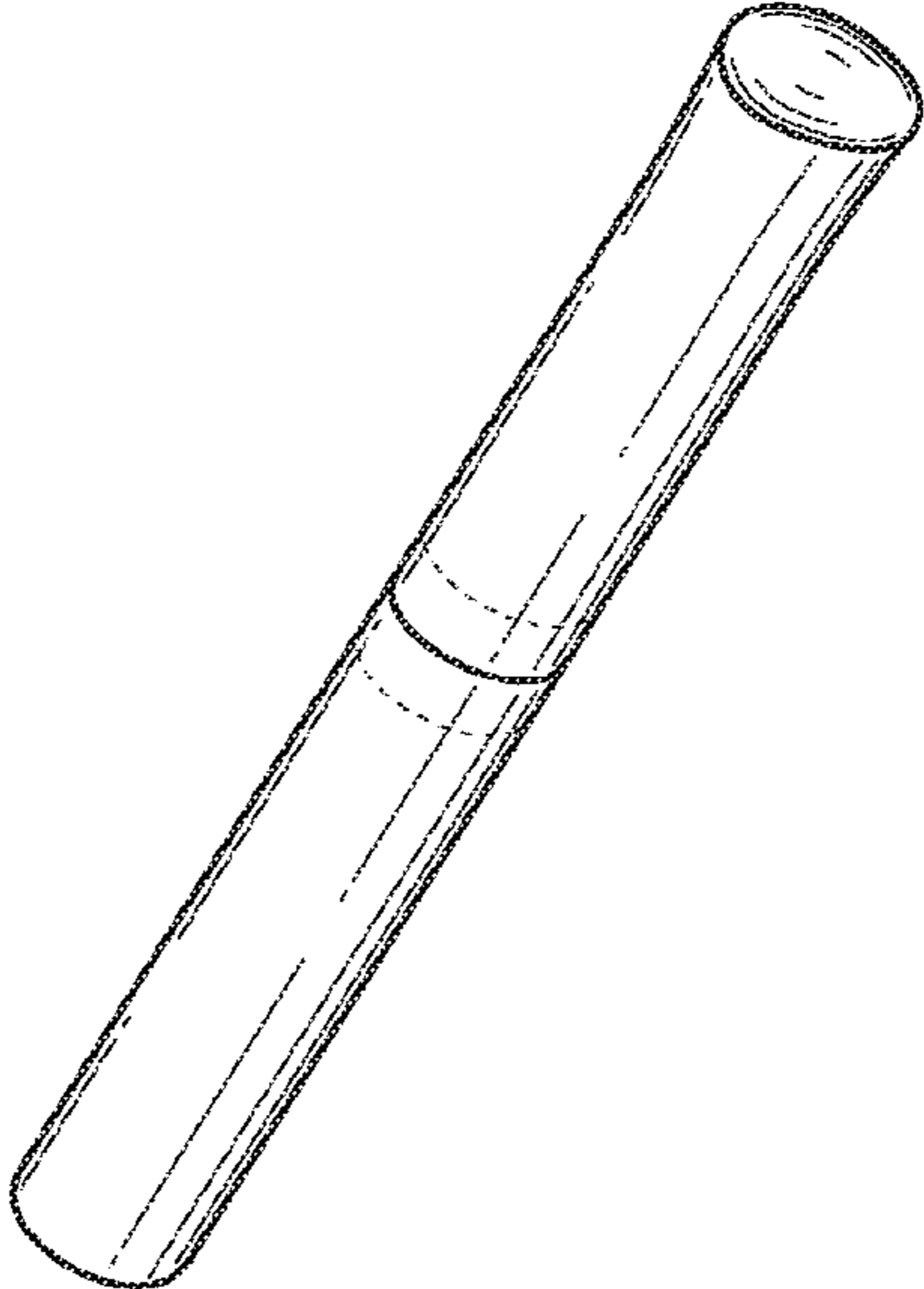
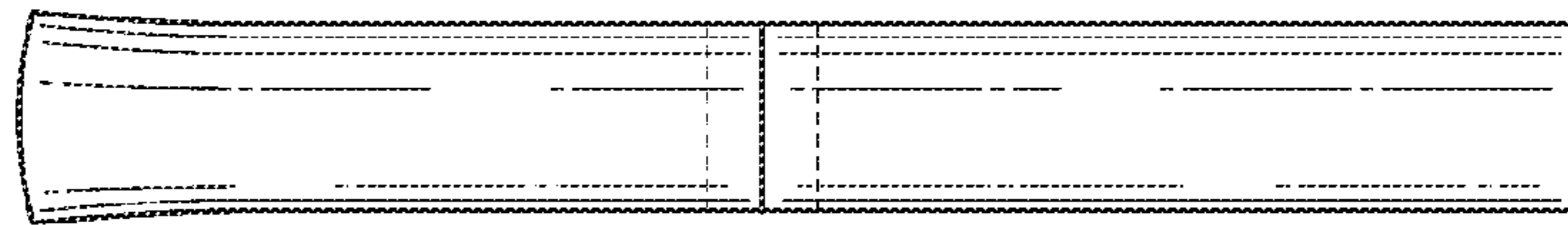
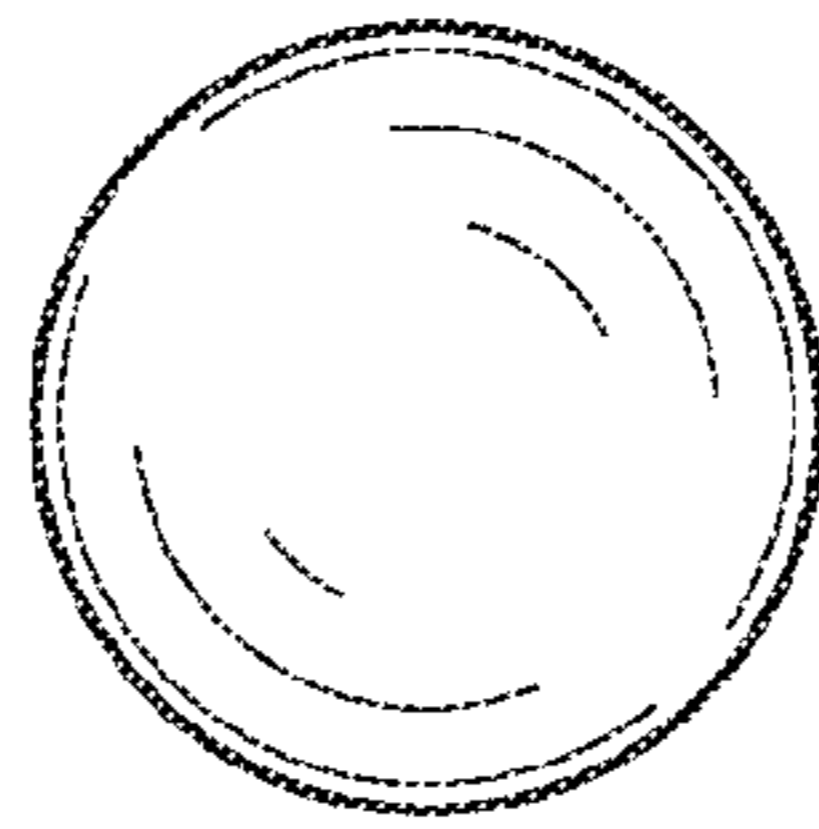


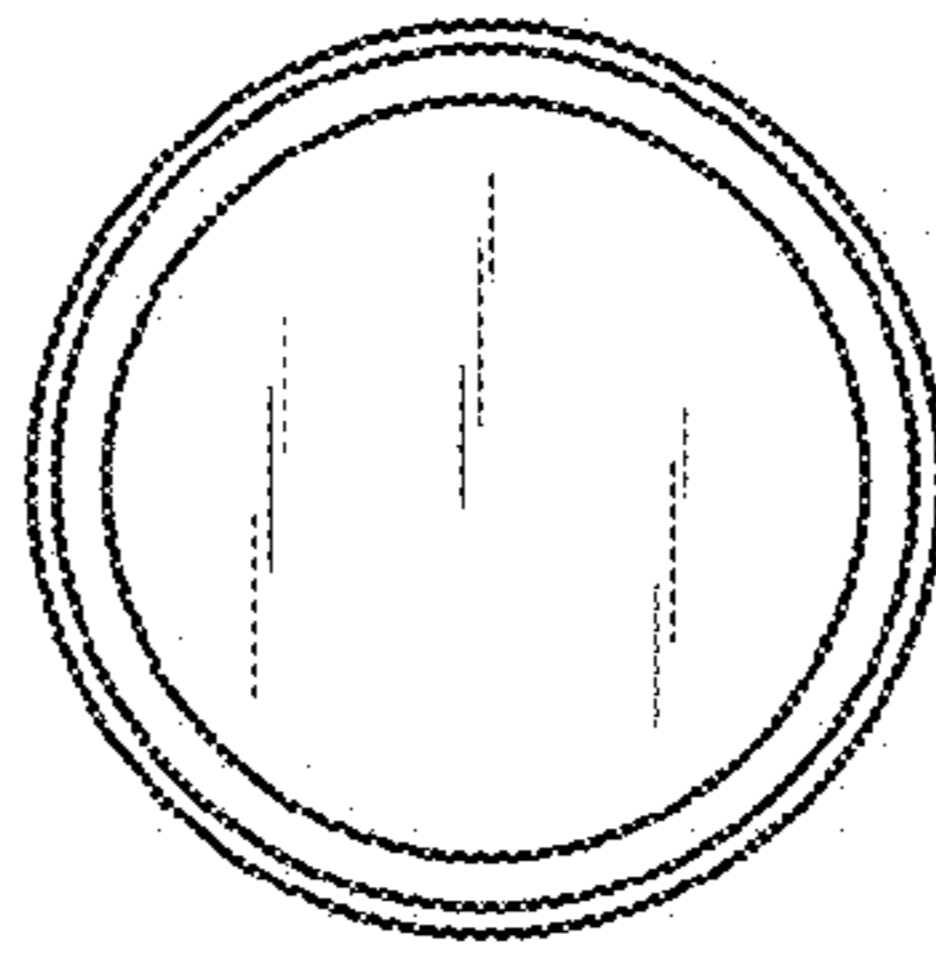
Fig. 9



**Fig. 10**



**Fig. 11**



**Fig. 12**