



US00D751702S

(12) **United States Design Patent**
Eaton et al.

(10) **Patent No.:** **US D751,702 S**
(45) **Date of Patent:** **** Mar. 15, 2016**

(54) **MONITOR SYSTEM FOR DRUG DELIVERY**
(71) Applicant: **EYE DROP IMAGING TECHNOLOGY, LLC**, Fort Myers, FL (US)
(72) Inventors: **Alexander M. Eaton**, Fort Myers, FL (US); **Gabriel Gordon**, Santa Barbara, CA (US); **Guangjun Gao**, Fort Myers, FL (US)
(73) Assignee: **Eye Droop Imaging Technology, LLC**, Fort Myers, FL (US)

D297,053 S * 8/1988 Janzen D24/128
D373,823 S * 9/1996 Baldwin D24/128
5,620,422 A * 4/1997 Halbich A61M 5/1782
141/27
D457,952 S * 5/2002 Sherman D24/115
D463,550 S * 9/2002 Sherman D24/115
7,458,551 B2 * 12/2008 Wang A61M 5/158
248/313
D592,304 S * 5/2009 Kuehfuss D24/128
D611,152 S * 3/2010 Updyke D24/169
D629,898 S * 12/2010 Bigelow D24/128
D667,953 S * 9/2012 Wright D24/140
2012/0316507 A1 * 12/2012 Agard A61B 17/8819
604/187

* cited by examiner

(**) Term: **14 Years**

Primary Examiner — David Muller

(21) Appl. No.: **29/489,364**

Assistant Examiner — Nathan Johnston

(22) Filed: **Apr. 29, 2014**

(74) *Attorney, Agent, or Firm* — Quarles & Brady LLP; Yakov Sidorin

(51) **LOC (10) Cl.** **24-01**

(52) **U.S. Cl.**
USPC **D24/128**

(57) **CLAIM**

The ornamental design for a monitor system for drug delivery, as shown and described.

(58) **Field of Classification Search**
USPC D24/127–131, 112–114, 133, 186; 606/181, 185; 604/264, 272, 115, 232, 604/187, 158, 164.08, 192, 263, 163, 181, 604/184, 198, 227; 600/101, 139, 143; 128/200.24, 207.14, 207.15
CPC A61B 5/4833; A61B 2576/00; A61B 19/5212; G06F 19/3456; A61F 9/0008
See application file for complete search history.

DESCRIPTION

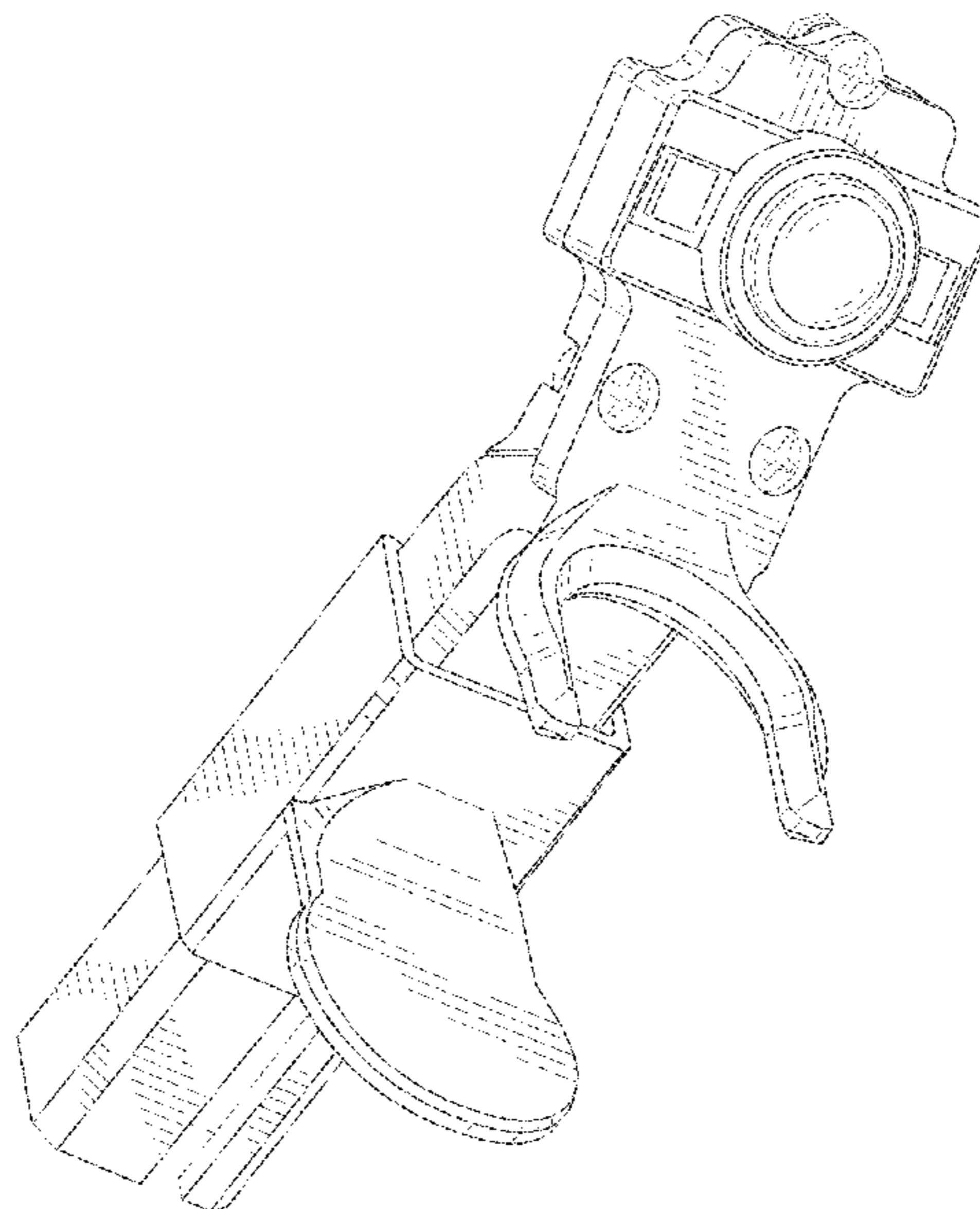
FIG. 1 is a left side elevation view of the design; FIG. 2 is a right side elevation view thereof; FIG. 3 is a front elevation view thereof; FIG. 4 is a back elevation view thereof; FIG. 5 is a top plan view thereof; FIG. 6 is a bottom plan view thereof; and, FIG. 7 is a perspective view thereof. The broken line showing of parts of the drawings is included for the purpose of illustrating use and environment and forms no part of the claimed design.

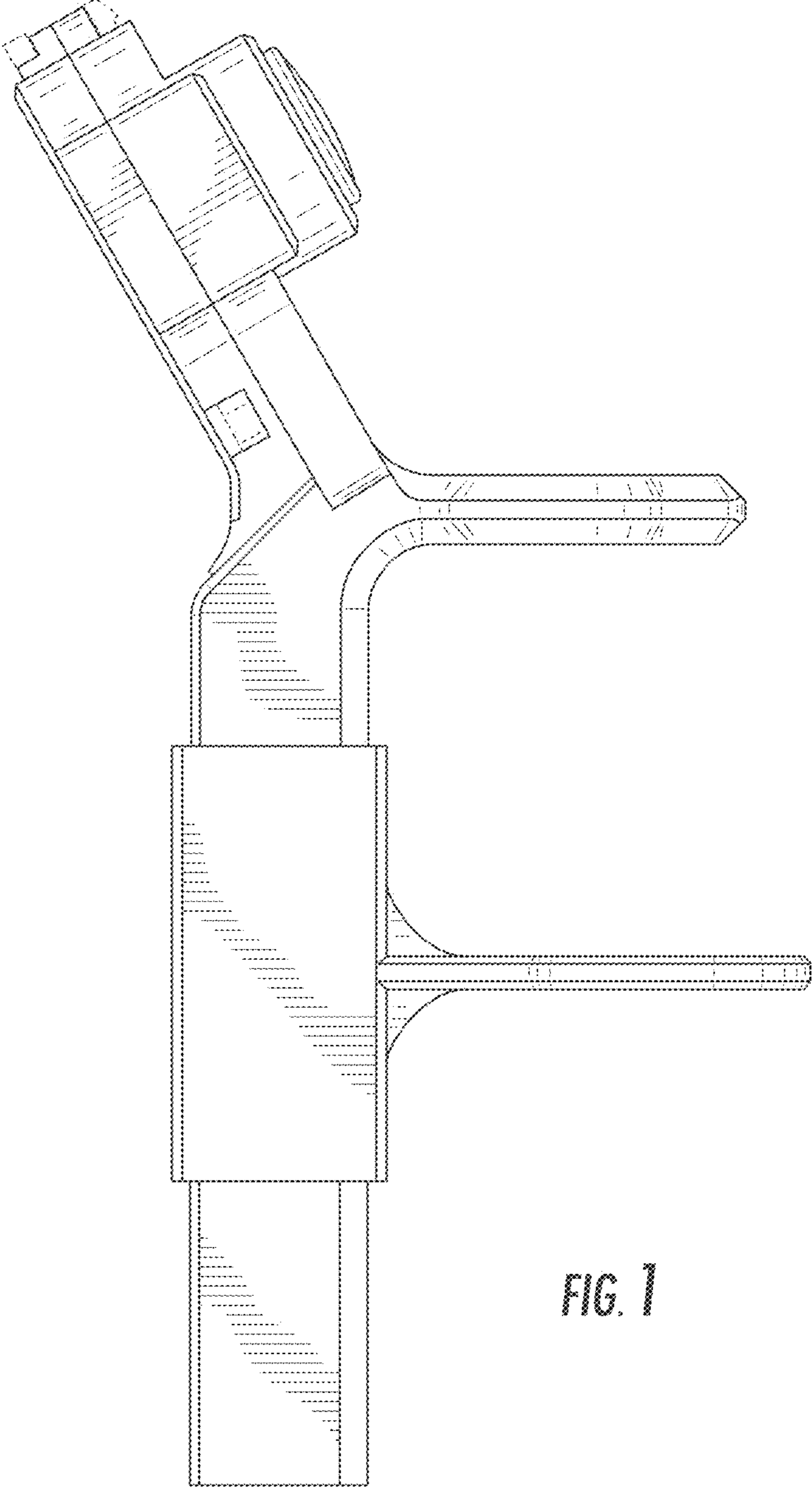
(56) **References Cited**

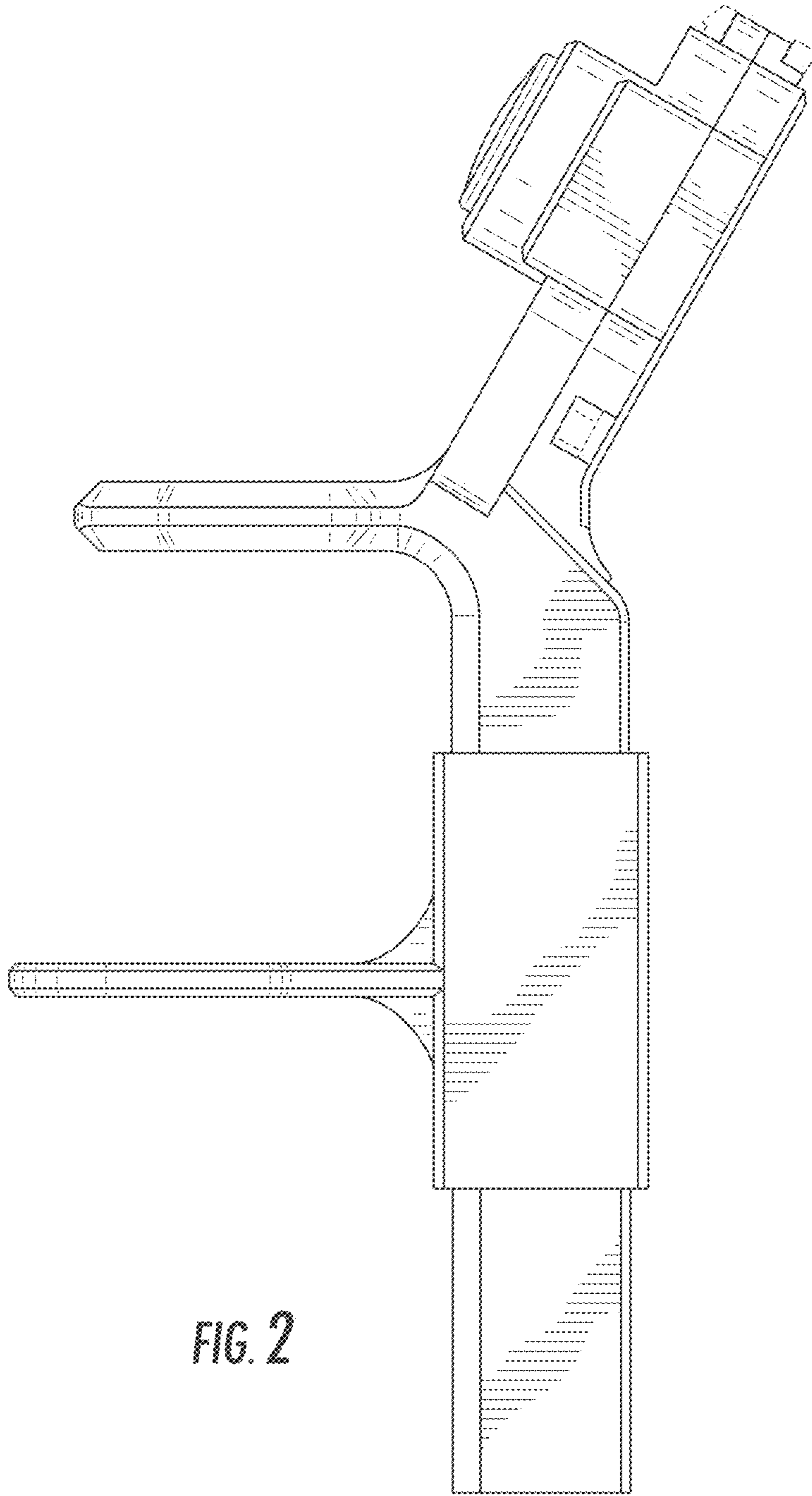
U.S. PATENT DOCUMENTS

1,647,039 A * 10/1927 Fischer G01N 9/14
248/309.1
D208,284 S * 8/1967 Waine D24/158

1 Claim, 6 Drawing Sheets







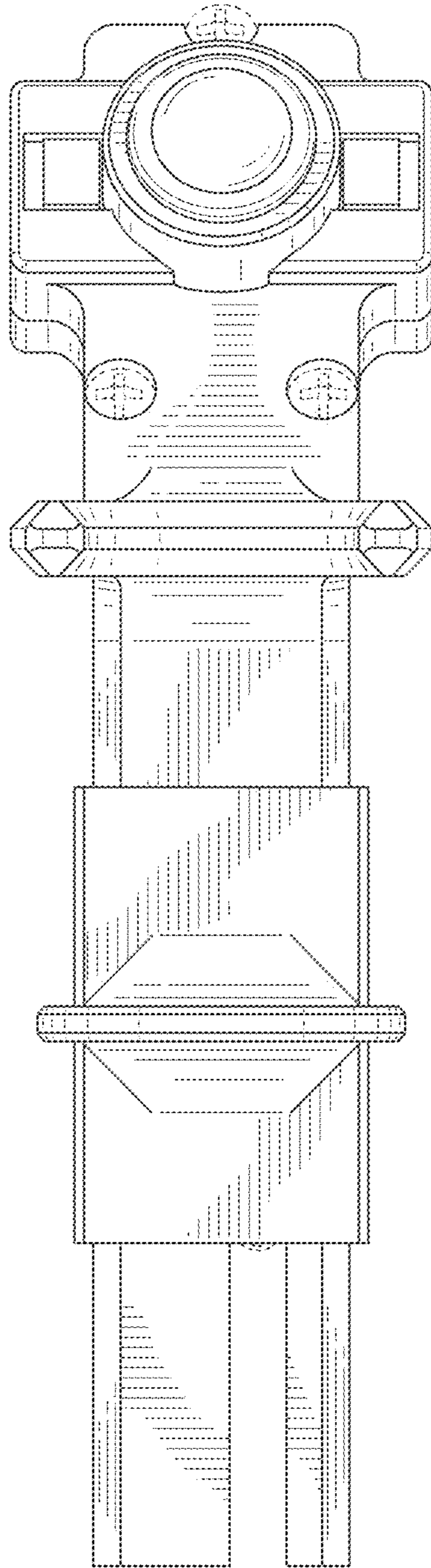


FIG. 3

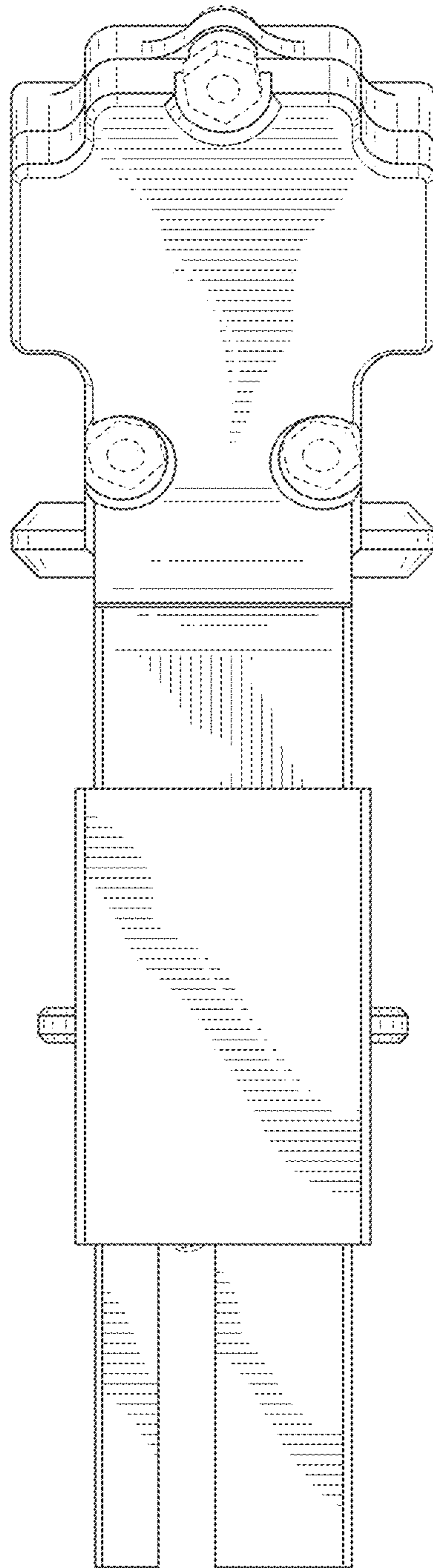


FIG. 4

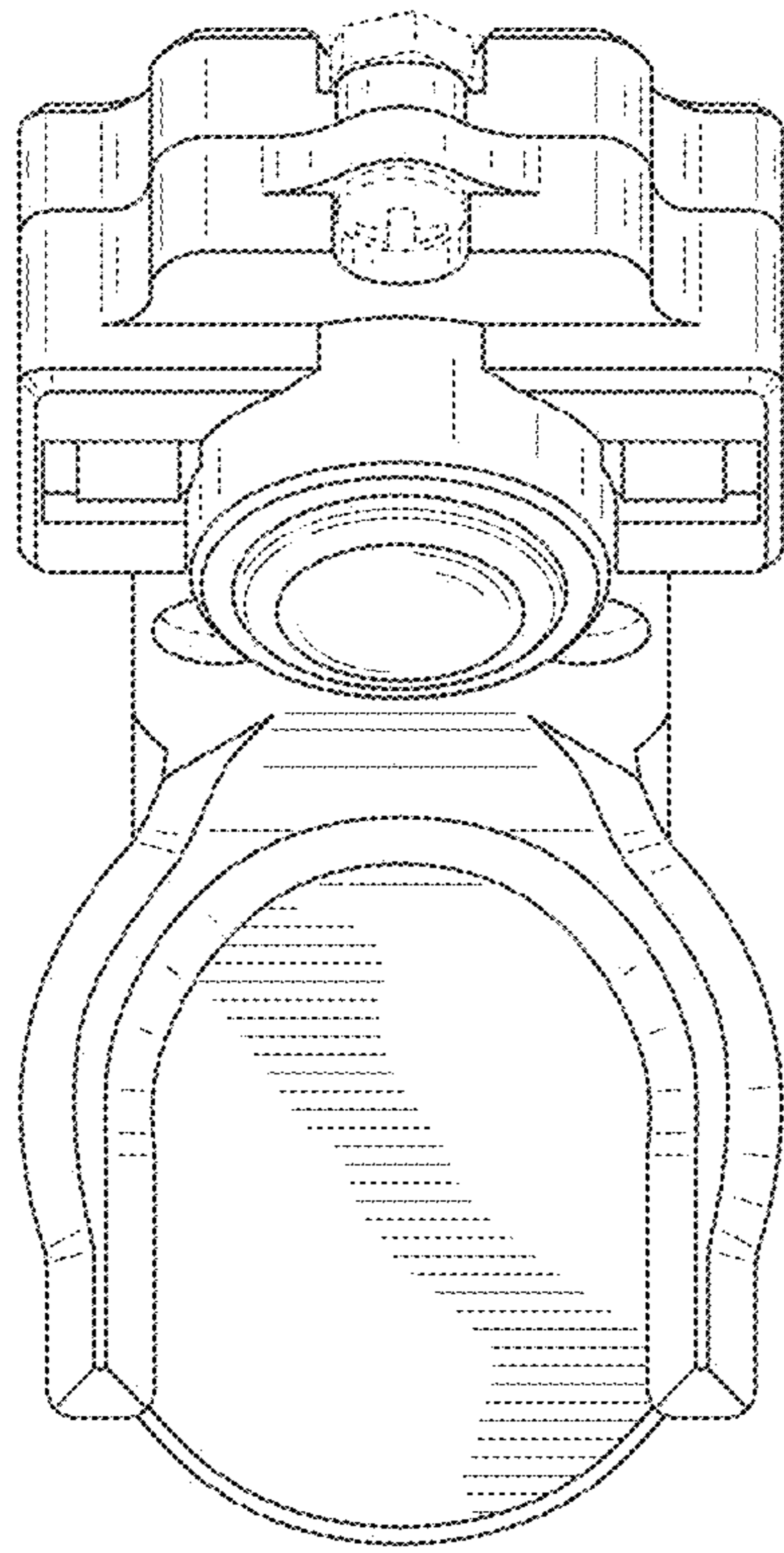


FIG. 5

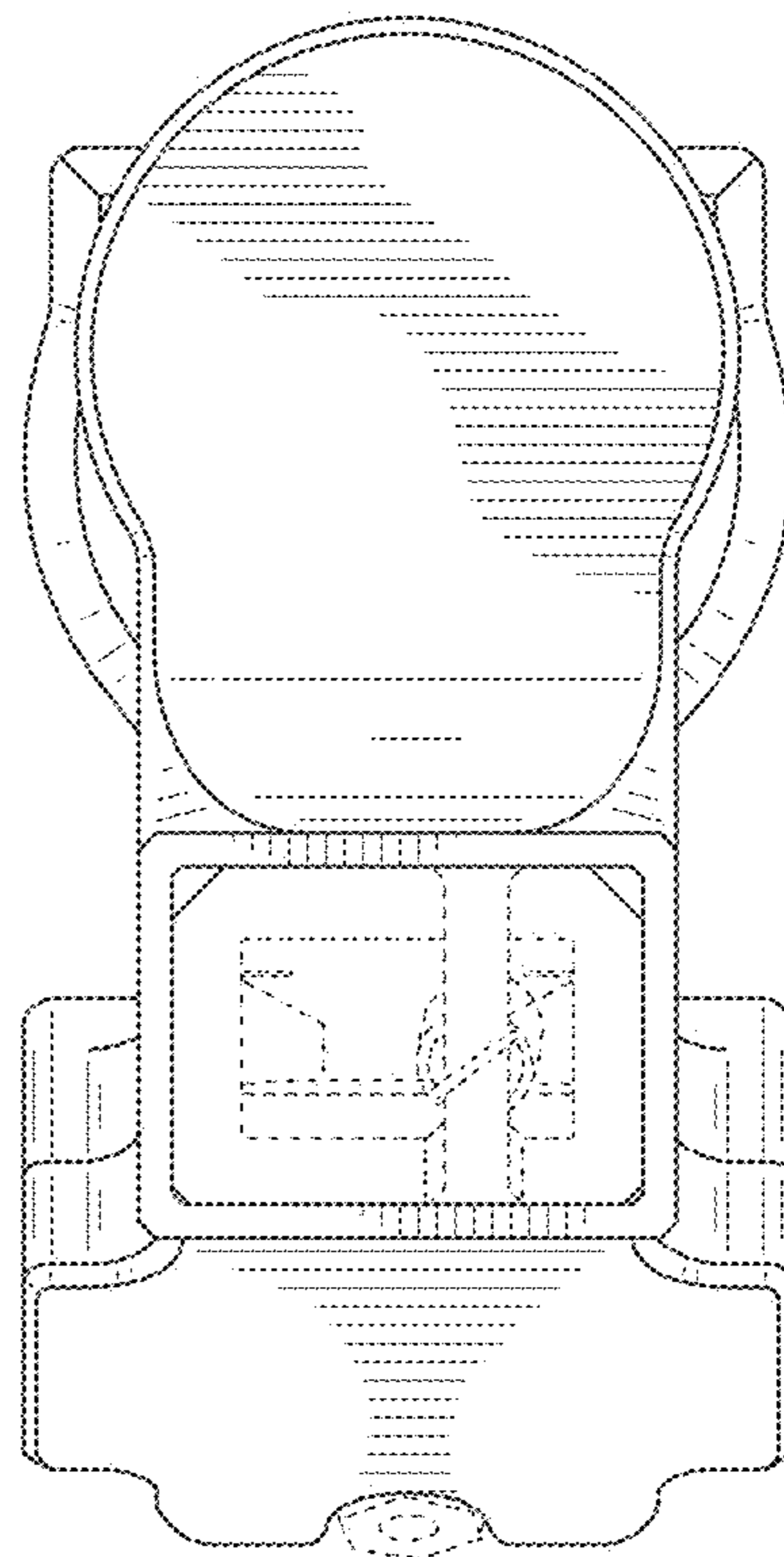


FIG. 6

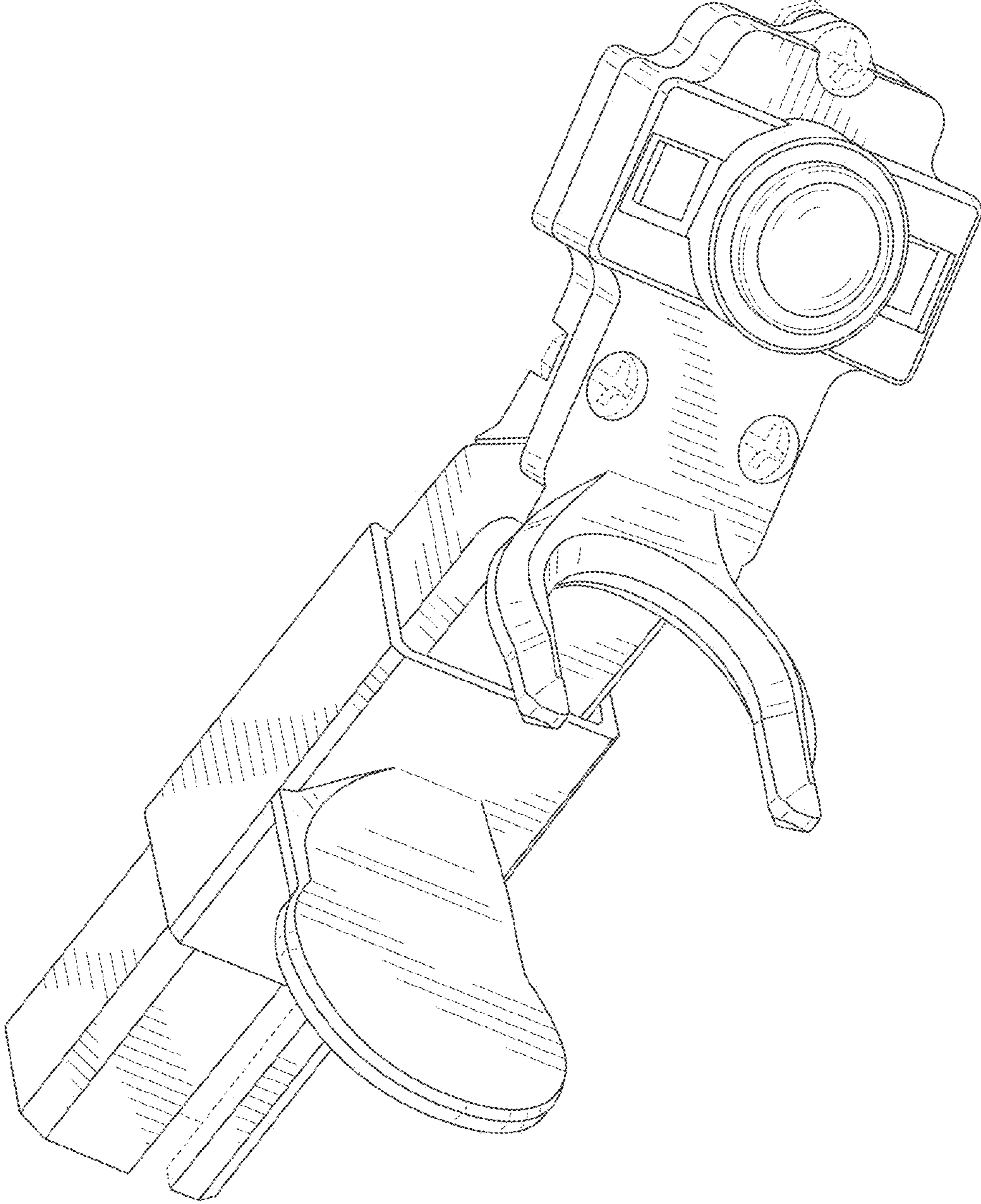


FIG. 7