



US00D751701S

(12) **United States Design Patent**  
**Sharpe**

(10) **Patent No.:** **US D751,701 S**  
(45) **Date of Patent:** **\*\* Mar. 15, 2016**

(54) **SAMPLE COLLECTION ASSISTANCE  
DEVICE**

(71) Applicant: **Tamara Sharpe**, Charlotte, NC (US)

(72) Inventor: **Tamara Sharpe**, Charlotte, NC (US)

(\*\*) Term: **14 Years**

(21) Appl. No.: **29/458,229**

(22) Filed: **Jun. 17, 2013**

(51) **LOC (10) Cl.** ..... **24-02**

(52) **U.S. Cl.**  
USPC ..... **D24/128**

(58) **Field of Classification Search**  
USPC ..... D24/108, 117, 122, 127, 128; D7/620;  
D9/455; 604/322; 220/737; 248/300,  
248/311.2, 214

See application file for complete search history.

(56) **References Cited**

**U.S. PATENT DOCUMENTS**

2,979,301	A *	4/1961	Reveal	248/214
D226,623	S	4/1973	Shuford	
4,557,452	A	12/1985	Khuong	
4,844,400	A *	7/1989	Jasmagy, Jr.	248/311.2
D306,544	S	3/1990	Anderson	
5,174,965	A	12/1992	Jones et al.	
5,199,678	A *	4/1993	Luebke	248/311.2
5,325,991	A	7/1994	Williams	
5,492,220	A	2/1996	Estay	
D379,655	S *	6/1997	Savignac	D24/122
5,938,160	A *	8/1999	Hartmann et al.	248/311.2
6,260,811	B1	7/2001	O'Neil	
D478,479	S *	8/2003	Garvin	D7/620
D493,072	S	7/2004	Palmer	
6,883,765	B2	4/2005	Lozano et al.	
D511,439	S *	11/2005	Roybal	D7/620
D554,965	S *	11/2007	Moore	D8/102
D625,150	S *	10/2010	Ciarrocchi, Jr.	D7/600.1
D720,587	S *	1/2015	Derochers	D8/45

2002/0179794	A1	12/2002	Yang	
2003/0197104	A1 *	10/2003	Heybl et al.	248/311.2
2004/0200943	A1 *	10/2004	Rokov	248/311.2
2005/0051690	A1	3/2005	Phillips et al.	
2008/0140032	A1	6/2008	O'Malley	
2013/0026336	A1 *	1/2013	Beckey et al.	248/692
2014/0117183	A1 *	5/2014	McClure	248/311.2

**OTHER PUBLICATIONS**

Dynalon Labware, Plastic Laboratory Labware, Dynalab Corporation, [http://www.dynalabcorp.com/documents/Dynalon2011\\_LR.pdf](http://www.dynalabcorp.com/documents/Dynalon2011_LR.pdf).

\* cited by examiner

*Primary Examiner* — Garth Rademaker

*Assistant Examiner* — Samantha Q Lawrence

(74) *Attorney, Agent, or Firm* — Moore & Van Allen PLLC; Patrick B. Horne

(57) **CLAIM**

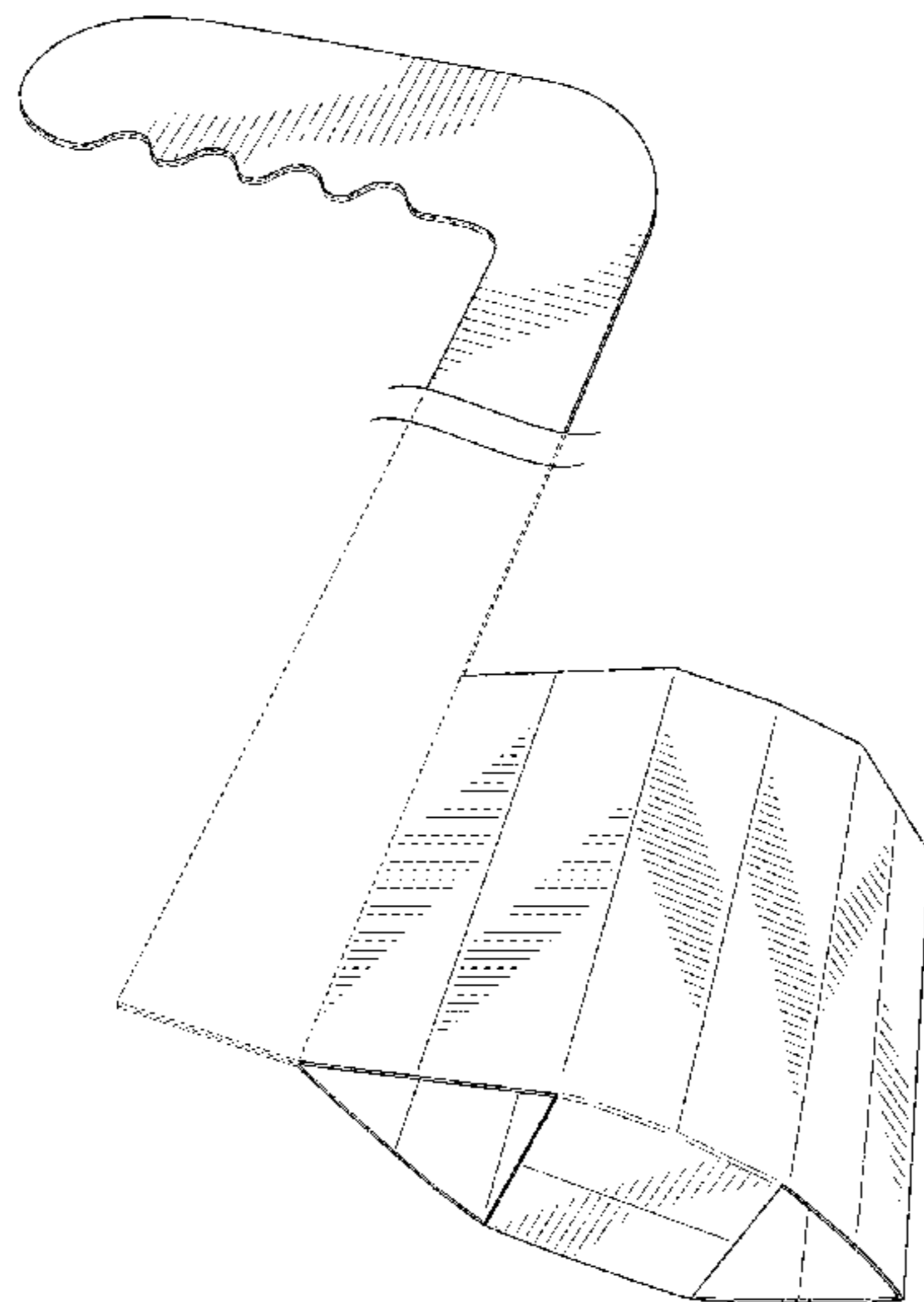
The ornamental design for a sample collection assistance device, as shown and described.

**DESCRIPTION**

FIG. 1 is a perspective view of a sample collection assistance device;  
FIG. 2 is a front view thereof;  
FIG. 3 is a rear view thereof;  
FIG. 4 is a side view thereof;  
FIG. 5 is an opposite side view thereof;  
FIG. 6 is a top view thereof; and,  
FIG. 7 is a bottom view thereof.

The sample collection assistance device is shown with a symbolic break in its length. The appearance of any portion of the article between the break lines forms no part of the design. The broken lines shown in FIGS. 1-7 illustrate portions of the sample collection assistance device that form no part of the claimed design.

**1 Claim, 5 Drawing Sheets**



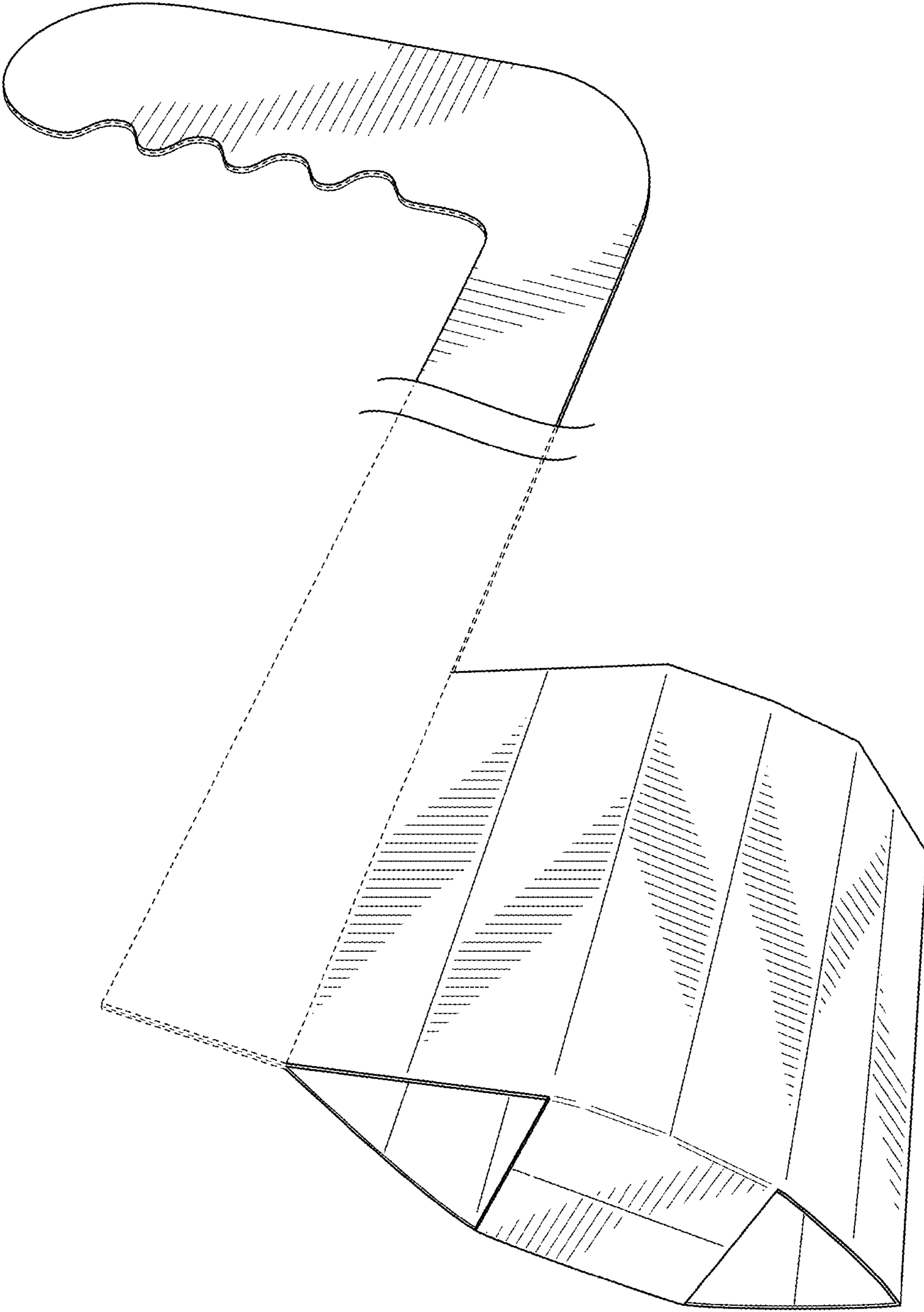
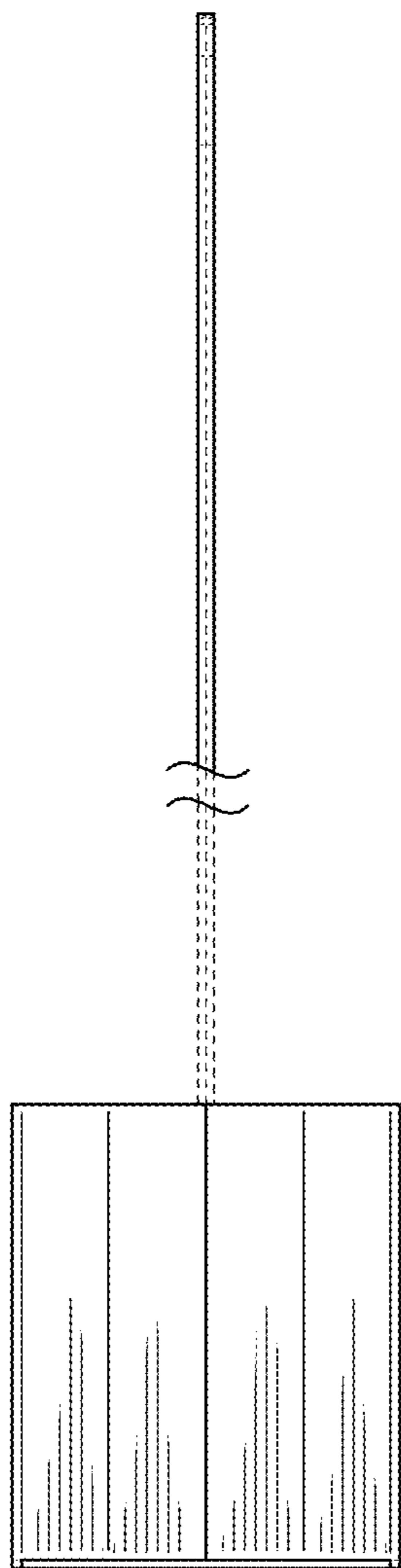
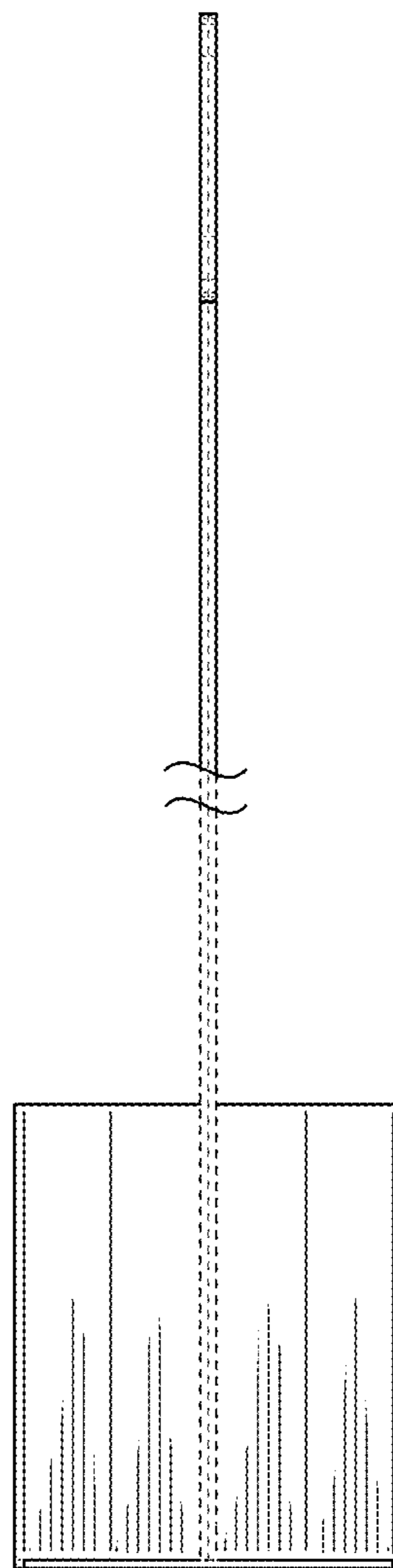


FIG. 1



**FIG. 2**



**FIG. 3**

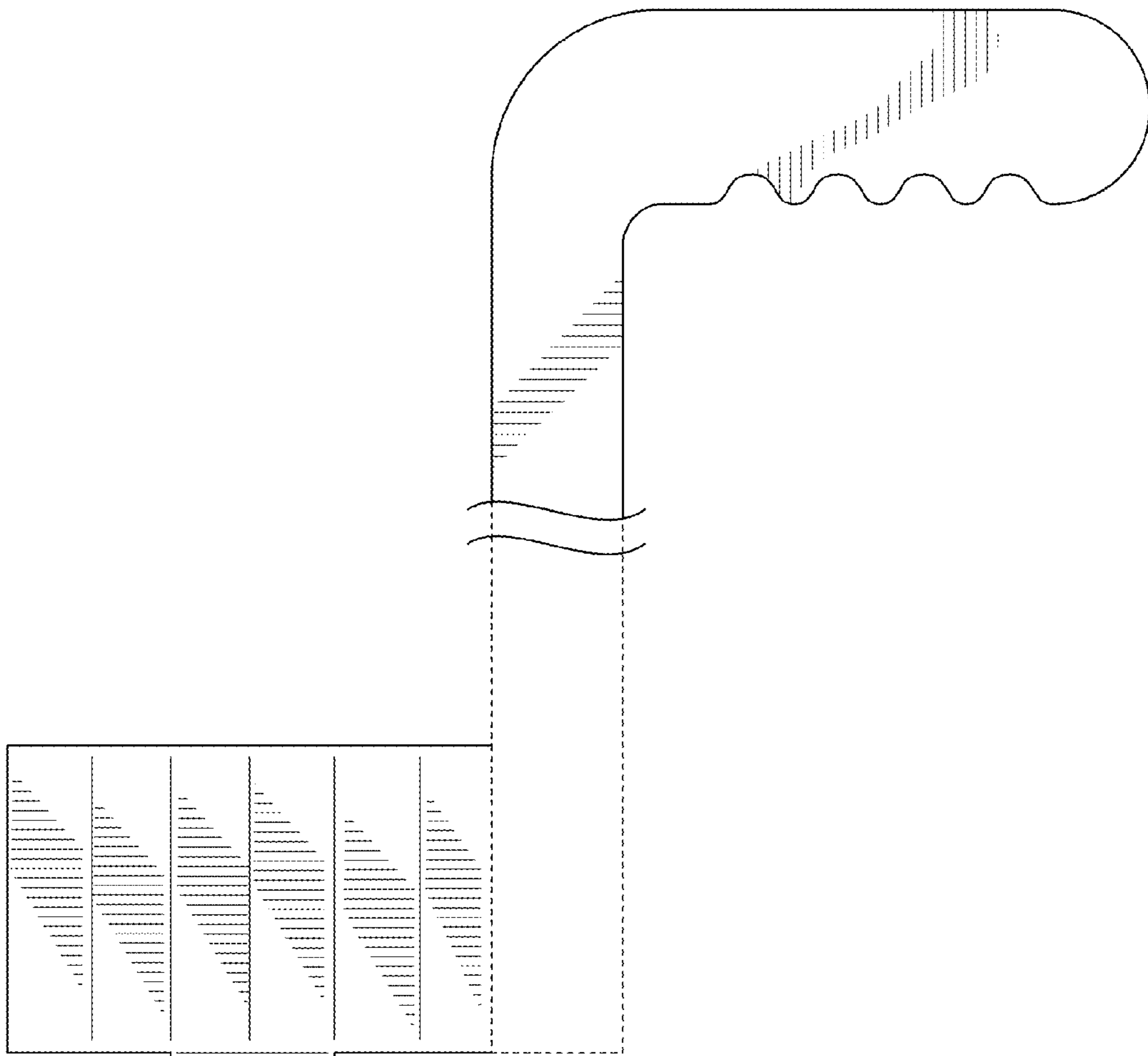


FIG. 4

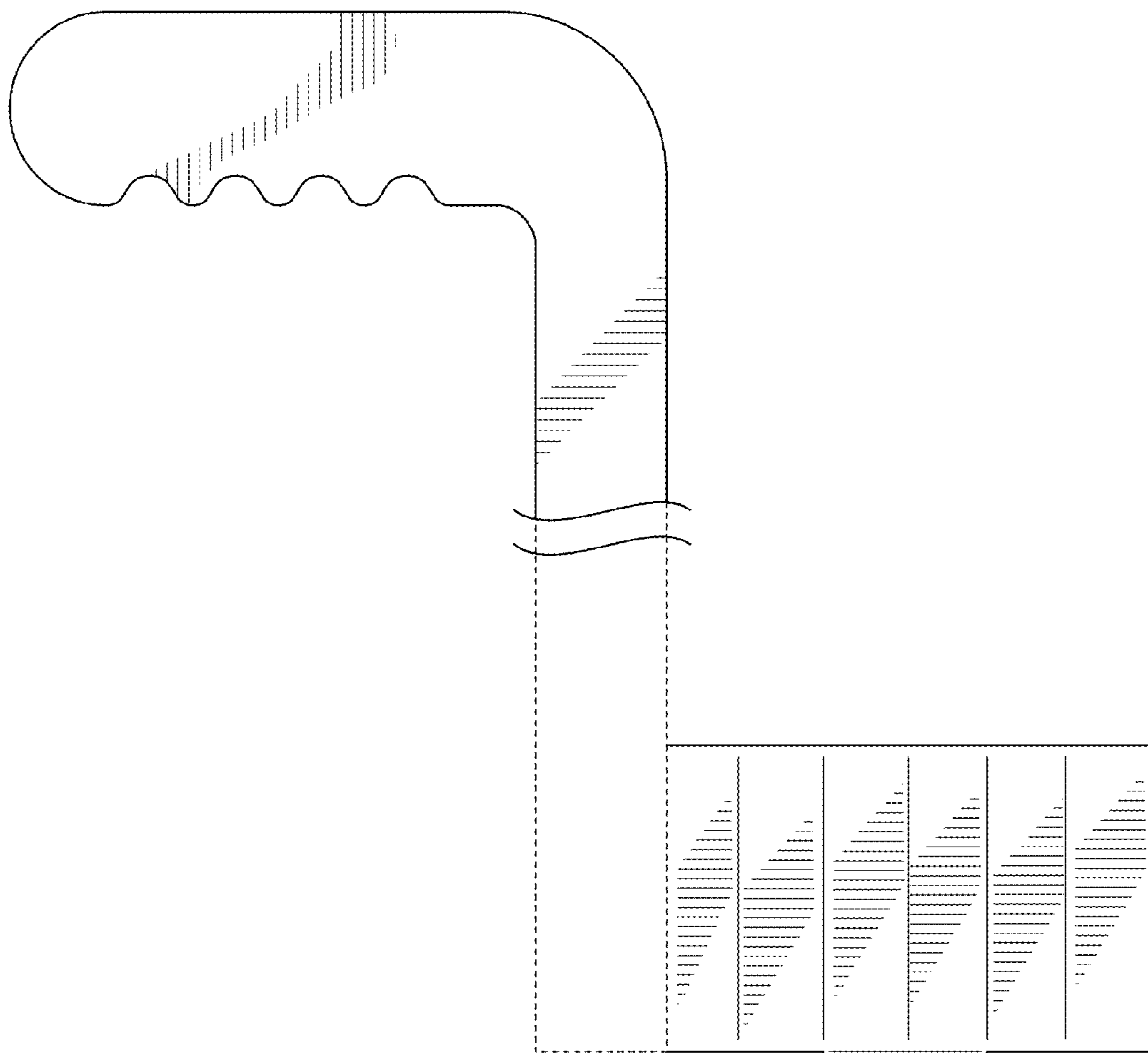
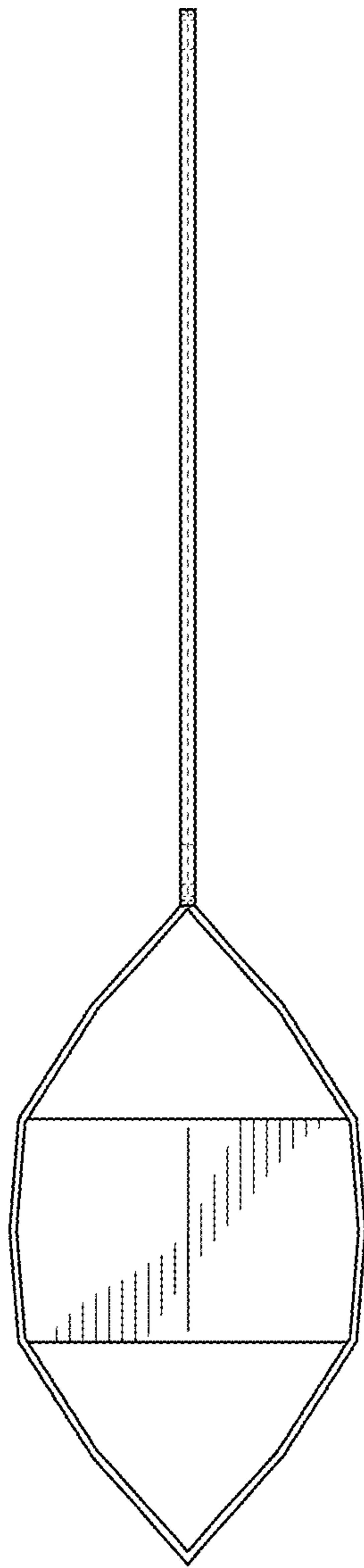
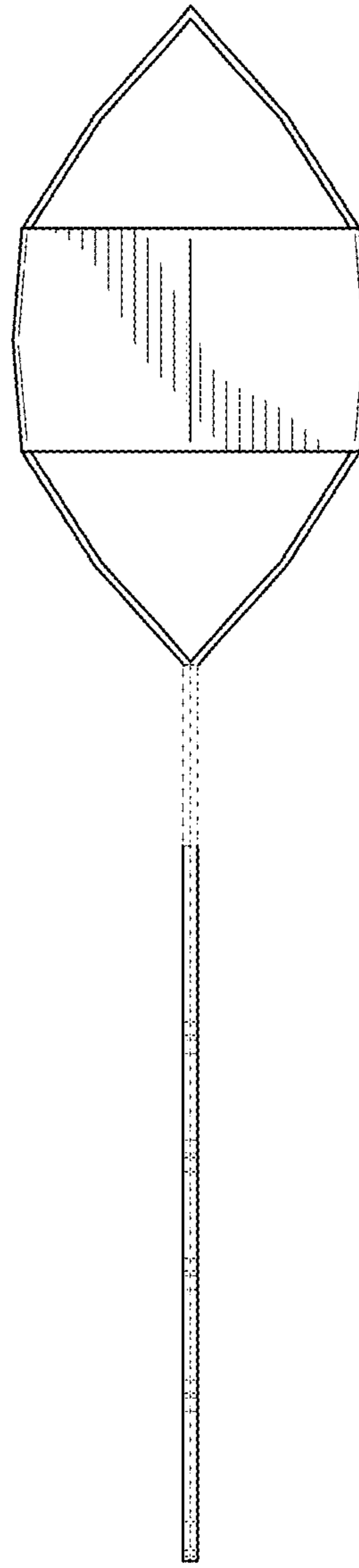


FIG. 5



**FIG. 6**



**FIG. 7**