



US00D751699S

(12) **United States Design Patent**
Mills

(10) **Patent No.:** **US D751,699 S**
(45) **Date of Patent:** **** Mar. 15, 2016**

(54) **NEEDLE SAFETY DEVICE**

(71) Applicant: **Becton Dickinson France**, Le Pont de
Claix (FR)

(72) Inventor: **Freddy Mills**, St Martin de la Cluze
(FR)

(73) Assignee: **Becton Dickinson France**, Le Pont de
Claix (FR)

(**) Term: **14 Years**

(21) Appl. No.: **29/511,269**

(22) Filed: **Dec. 9, 2014**

(30) **Foreign Application Priority Data**

Jun. 20, 2014 (EM) 002486472-0001

(51) **LOC (10) Cl.** **24-02**

(52) **U.S. Cl.**
USPC **D24/127**

(58) **Field of Classification Search**

USPC D24/127-131, 112-114, 133, 186;
606/181, 185; 604/264, 523-528, 272,
604/187, 158, 164.01-164.11, 181, 184,
604/227; 600/101, 139, 143; 128/200.24,
128/207.14, 207.15
CPC A61M 25/00; A61M 39/00; A61M 27/00;
A61M 25/0043; A61M 25/0067; A61M
25/0097; A61F 2/958

See application file for complete search history.

(56) **References Cited**

U.S. PATENT DOCUMENTS

4,735,311 A 4/1988 Lowe et al.
4,964,866 A 10/1990 Szwarc
4,986,818 A 1/1991 Imbert et al.
5,085,647 A 2/1992 Henderson et al.
5,304,148 A 4/1994 Lannoye et al.

5,980,495 A 11/1999 Heinz et al.
6,331,174 B1 12/2001 Reinhard et al.
6,485,474 B1 11/2002 Heinz et al.
6,551,286 B1 4/2003 Claessens
6,719,732 B2 4/2004 Courteix
7,387,617 B2 6/2008 Wittland et al.
D607,999 S * 1/2010 Holmes D24/130
D609,804 S * 2/2010 Uchida D24/112
D636,489 S * 4/2011 D'Agostino D24/130
D653,338 S * 1/2012 Mangeshikar D24/133
D655,815 S * 3/2012 Miller D24/133
D678,522 S * 3/2013 Gustavsson D24/130
D701,304 S * 3/2014 Lair D24/129
D709,187 S * 7/2014 Li D24/129
D713,957 S * 9/2014 Woehr D24/112
D717,430 S * 11/2014 Shiraiishi D24/130
D735,321 S * 7/2015 Blanchard D24/112
D735,853 S * 8/2015 Pa D24/129
D737,430 S * 8/2015 Wargner D24/112

(Continued)

FOREIGN PATENT DOCUMENTS

DE 4234319 A1 4/1994
DE 4438360 A1 5/1996

(Continued)

Primary Examiner — David Muller

(74) *Attorney, Agent, or Firm* — The Webb Law Firm

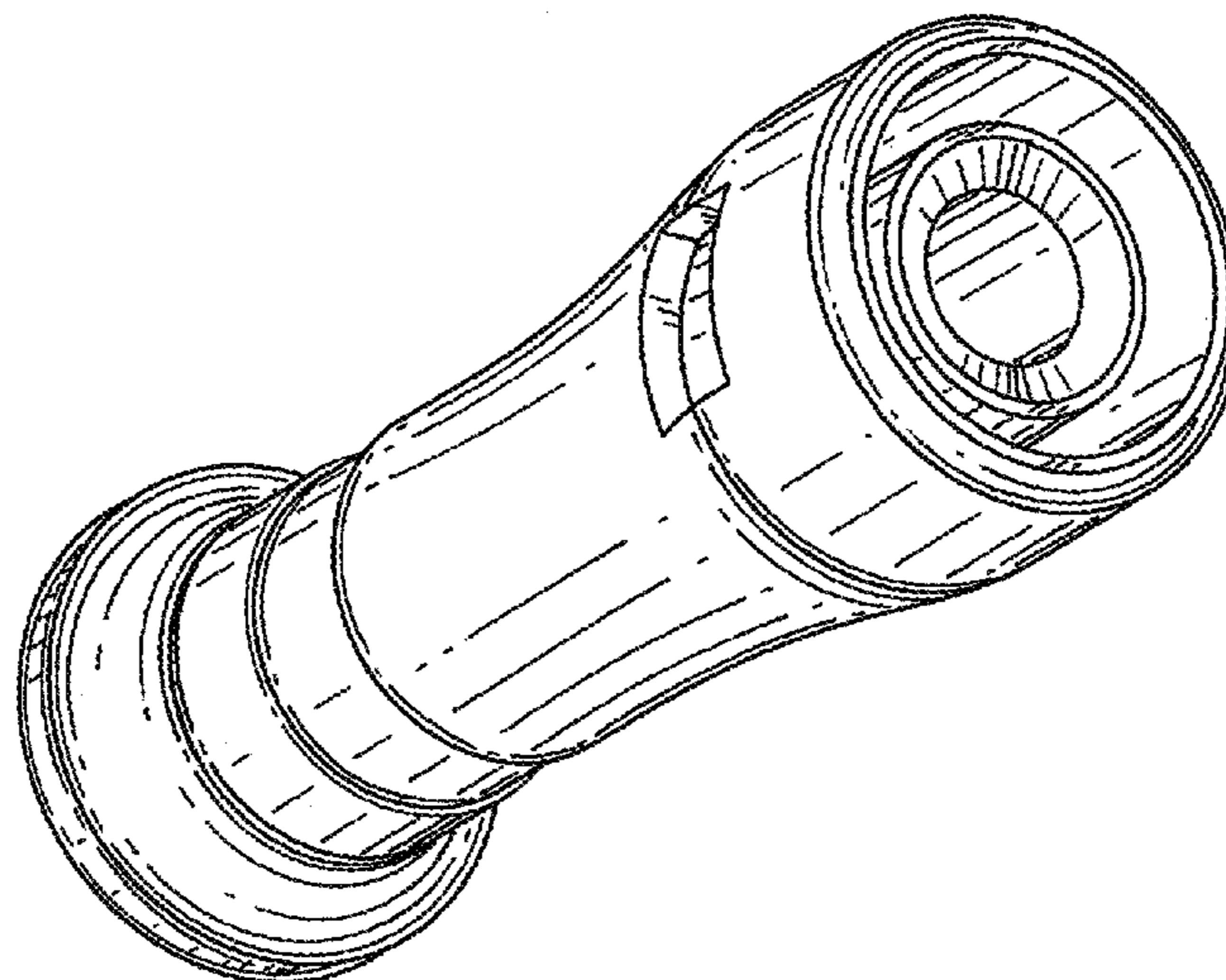
(57) **CLAIM**

The ornamental design for a needle safety device, as shown
and described.

DESCRIPTION

FIG. 1 is a front perspective view of a needle safety device in
accordance with the present invention;
FIG. 2 is a rear perspective view thereof;
FIG. 3 is a right side view thereof;
FIG. 4 is a left side view thereof;
FIG. 5 is a top view thereof; and,
FIG. 6 is a bottom view thereof.

1 Claim, 3 Drawing Sheets



(56)

References Cited

U.S. PATENT DOCUMENTS

2005/0038391 A1 2/2005 Wittland et al.
2010/0292652 A1 11/2010 Gantin
2012/0330243 A1 12/2012 Liversidge
2013/0012886 A1 1/2013 Kawachi

FOREIGN PATENT DOCUMENTS

EP 1099450 B1 5/2001
EP 1208861 B1 5/2002
EP 0873758 B1 10/2002
EP 1101505 B1 3/2003

EP 0896827 B1 11/2004
EP 2533835 12/2012
EP 1502617 B1 3/2013
EP 2035064 B1 9/2013
JP 1178264 A 7/1989
JP 10305098 A 11/1998
JP 2005329050 A 12/2005
WO 2008003899 A2 1/2008
WO 2011098831 A1 8/2011
WO 2011114917 A1 9/2011
WO 2012023938 A1 2/2012
WO 2012116791 A1 9/2012
WO 2014131987 A1 9/2014

* cited by examiner

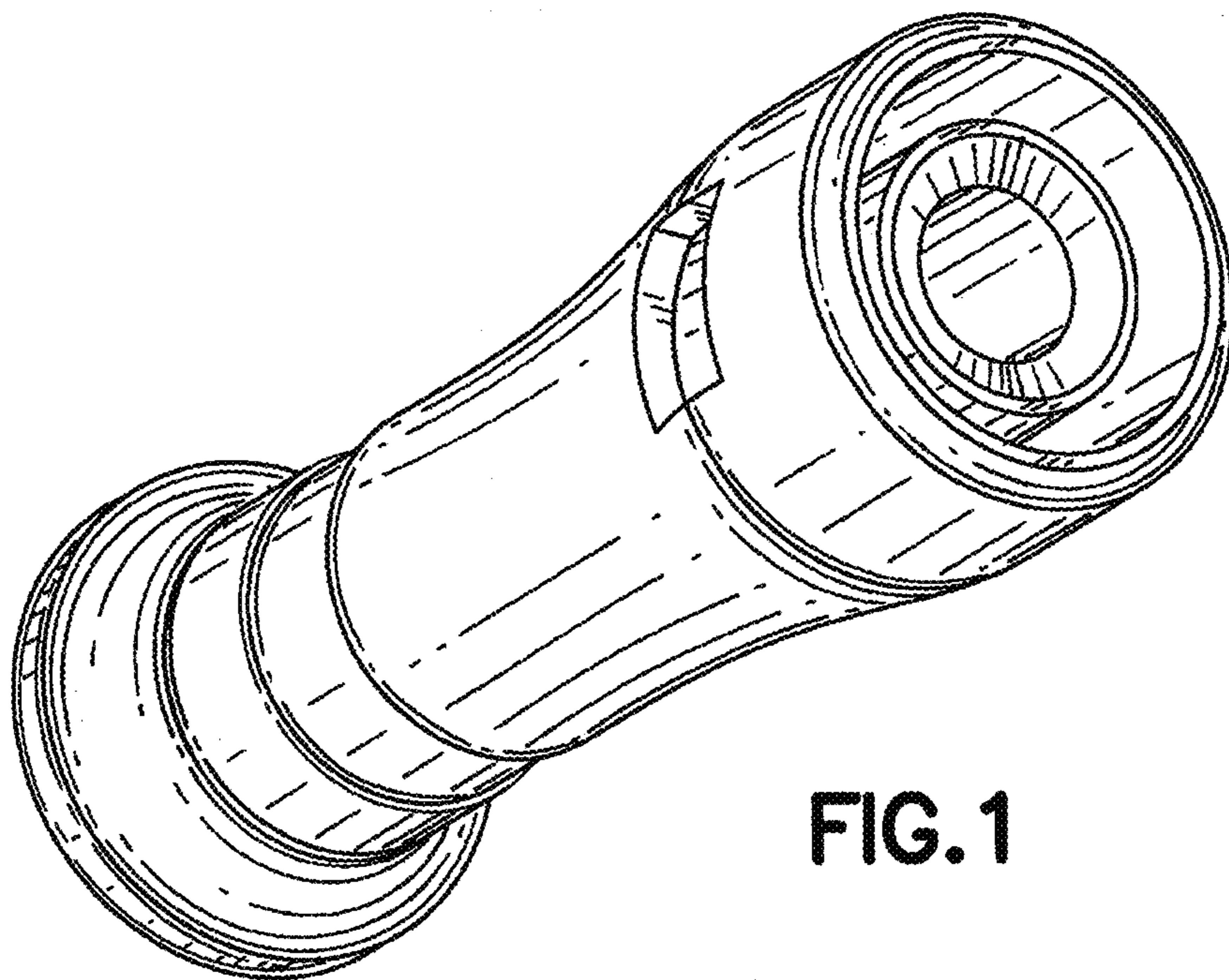


FIG. 1

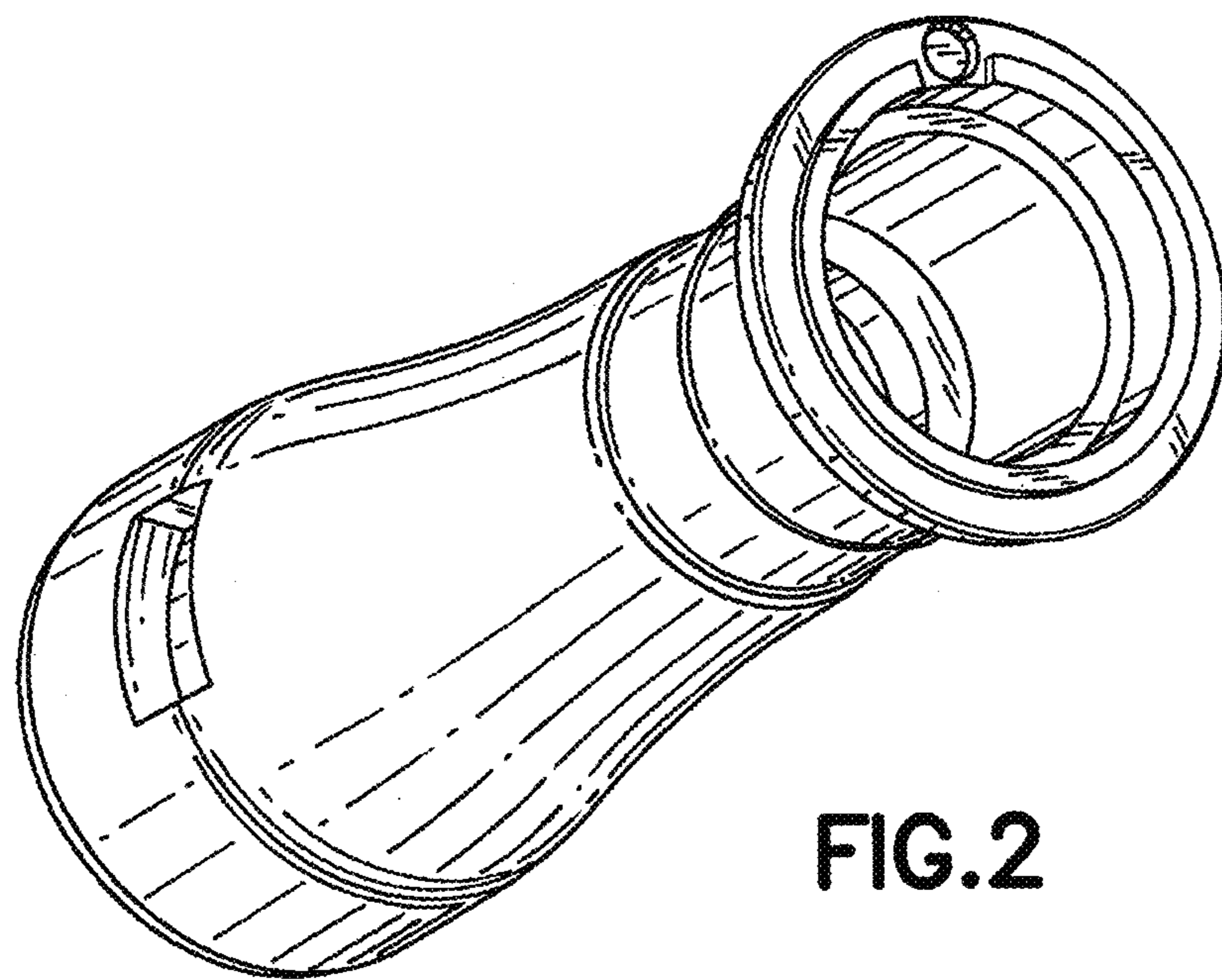


FIG. 2

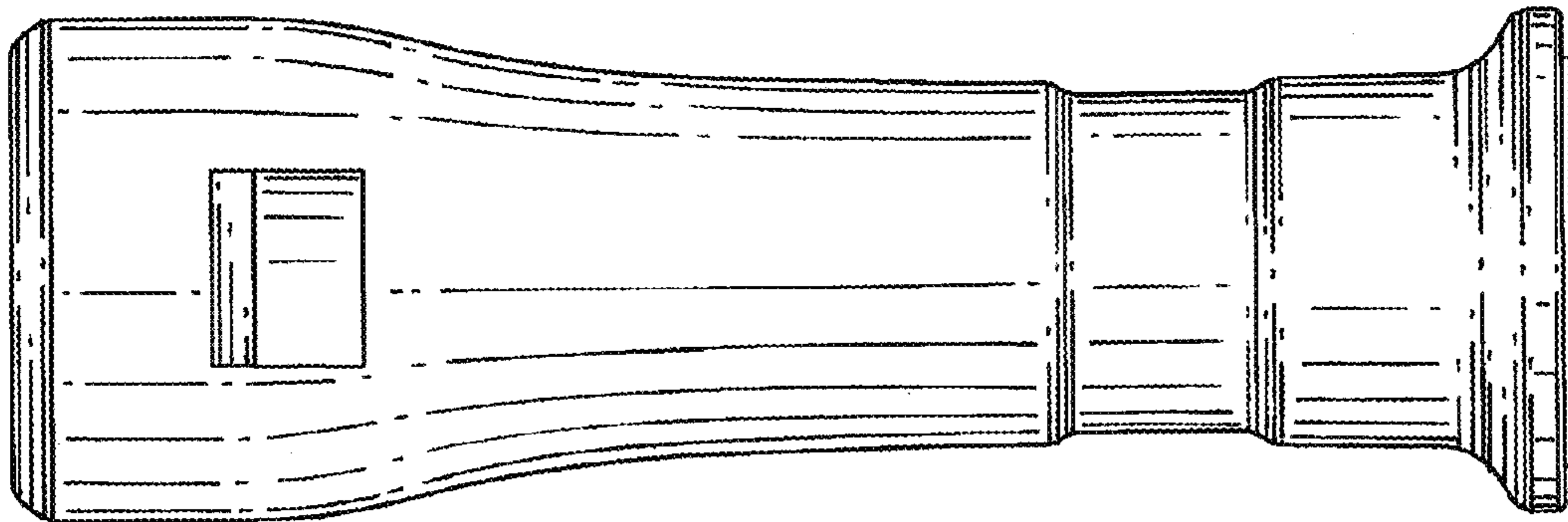


FIG. 3

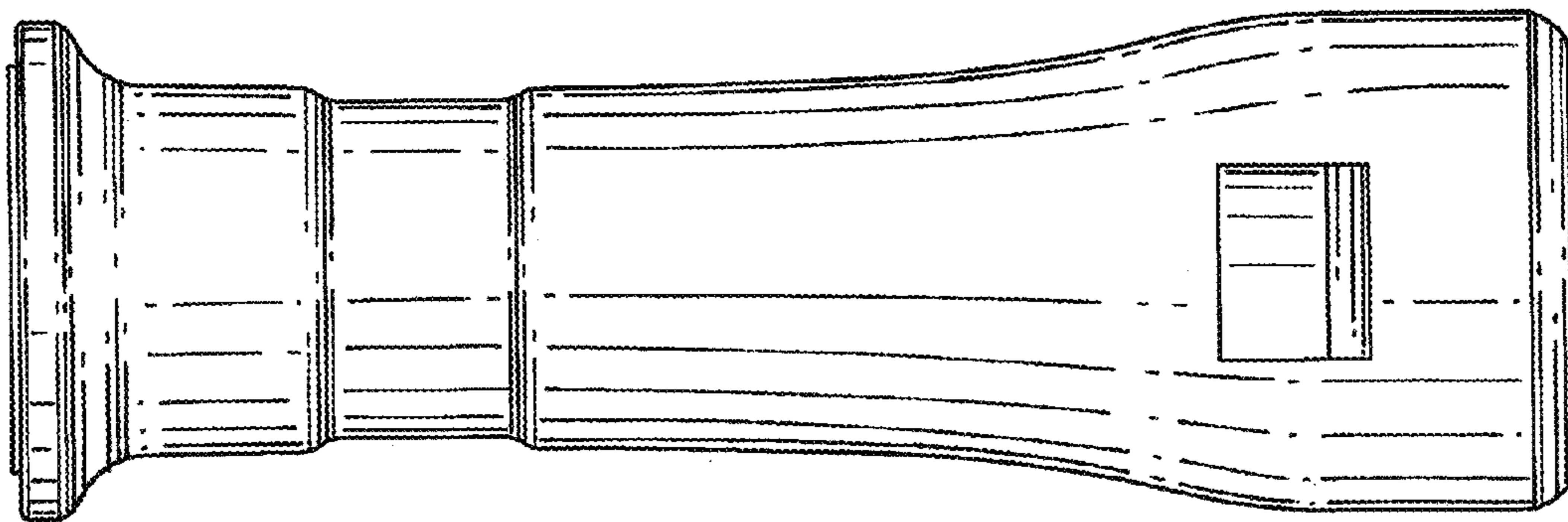


FIG. 4

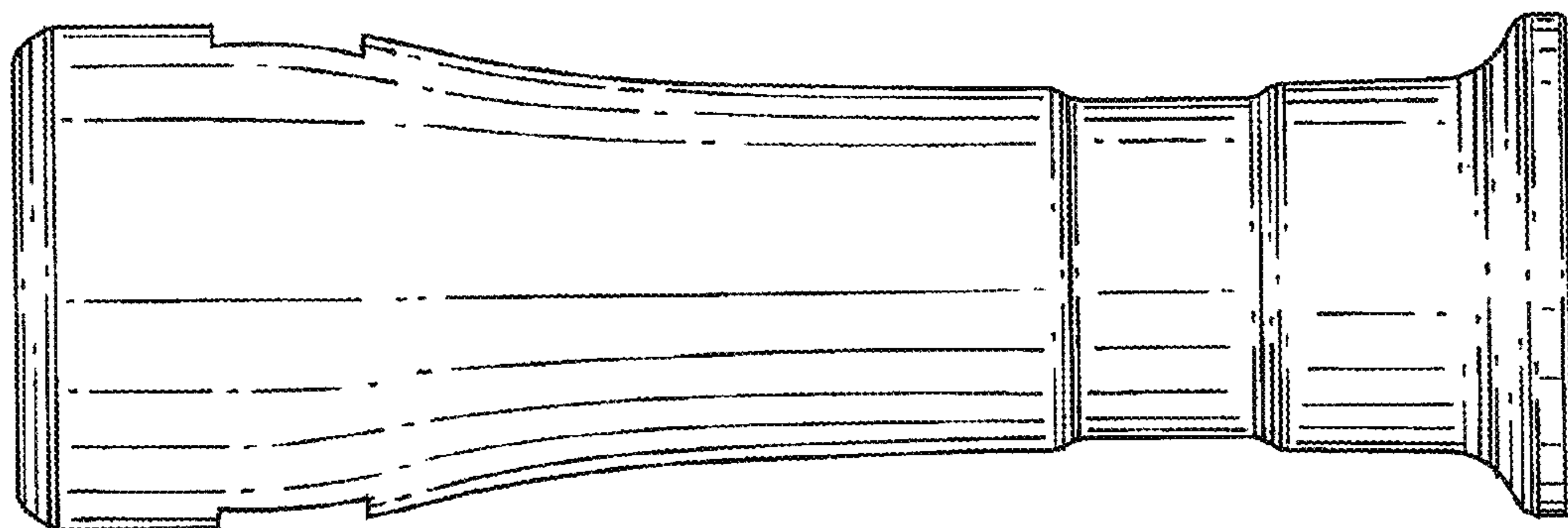


FIG. 5

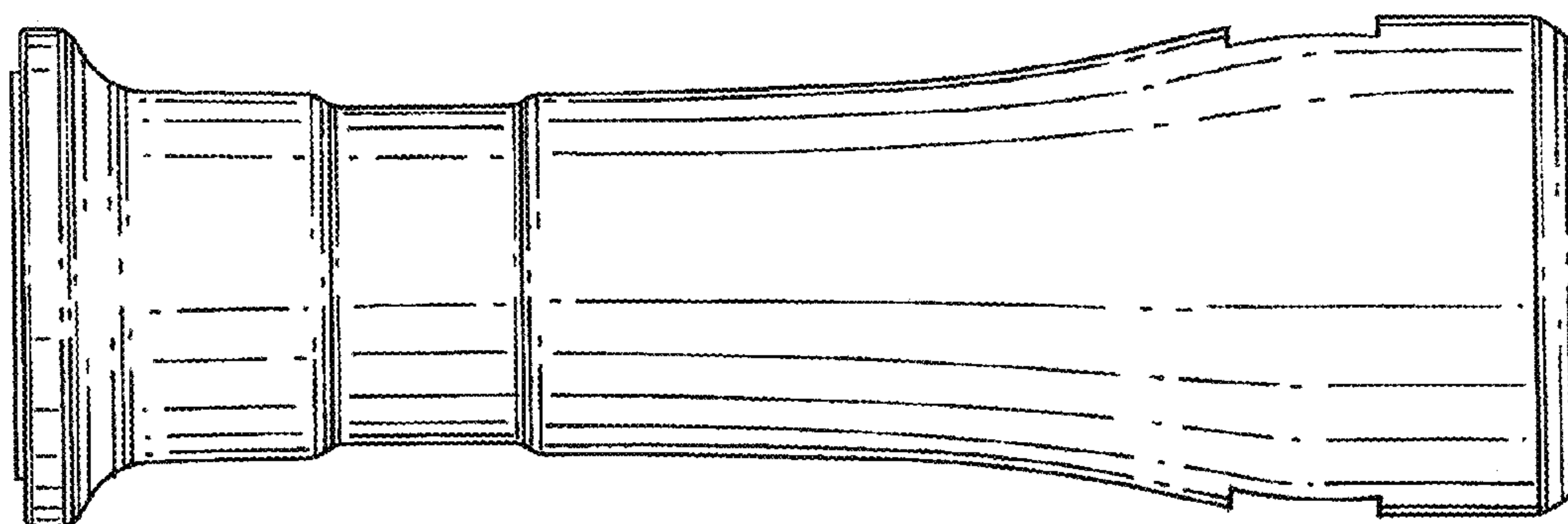


FIG. 6