



US00D751694S

(12) **United States Design Patent**
Shubin, Sr. et al.

(10) **Patent No.:** **US D751,694 S**
(45) **Date of Patent:** **** Mar. 15, 2016**

(54) **BIOLOGICAL FLUID COLLECTION DEVICE**

(71) Applicant: **Steven A. Shubin, Sr.**, Dripping Springs, TX (US)

(72) Inventors: **Steven A. Shubin, Sr.**, Dripping Springs, TX (US); **Steven A. Shubin, Jr.**, Santa Fe, NM (US)

(73) Assignee: **Steven A. Shubin, Sr.**, Dripping Springs, TX (US)

(**) Term: **14 Years**

(21) Appl. No.: **29/514,961**

(22) Filed: **Jan. 19, 2015**

Related U.S. Application Data

(63) Continuation of application No. 29/450,640, filed on Mar. 20, 2013.

(51) **LOC (10) Cl.** **24-24**

(52) **U.S. Cl.**
USPC **D24/121**

(58) **Field of Classification Search**
USPC D24/121-123, 112, 207, 216, 224;
D9/716, 524, 435, 441, 447;
D7/509-511, 309, 305, 900, 538, 539,
D7/321; 600/38

CPC B29C 45/2602; A61H 19/00
See application file for complete search history.

(56) **References Cited**

U.S. PATENT DOCUMENTS

D309,710 S * 8/1990 Groves D9/447
D345,073 S * 3/1994 Carlson D7/300.1

D360,950 S * 8/1995 Mazurek D24/223
D420,285 S * 2/2000 Sagan D9/428
D478,779 S * 8/2003 Stamper, III D7/510
D517,407 S * 3/2006 Floyd D9/435
D518,377 S * 4/2006 Kortleven D3/323
D617,187 S * 6/2010 Murray D9/435
D656,022 S * 3/2012 Thielman D9/435
D679,181 S * 4/2013 Vogel D9/443
D705,061 S * 5/2014 Jo D9/435
D705,062 S * 5/2014 Jo D9/435
D714,144 S * 9/2014 Vogel D9/443

FOREIGN PATENT DOCUMENTS

CA 152715 6/2014

* cited by examiner

Primary Examiner — David Muller
Assistant Examiner — Nathan Johnston

(57) **CLAIM**

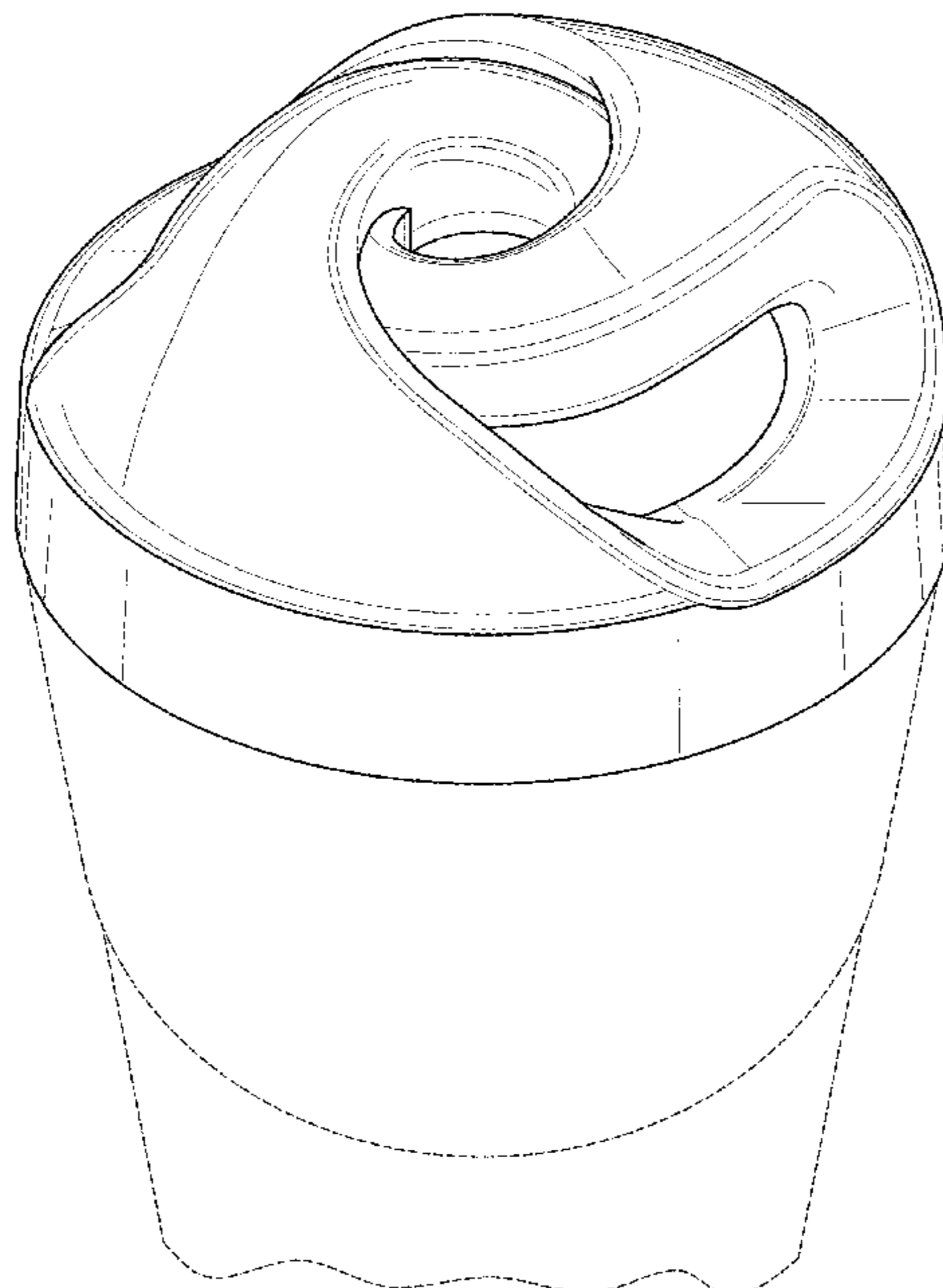
The ornamental design for a biological fluid collection device, as shown.

DESCRIPTION

FIG. 1 is a perspective view of a biological fluid collection device showing our new design;
FIG. 2 is an elevation end-view thereof;
FIG. 3 is a first side-elevation view thereof; and,
FIG. 4 is a second side-elevation thereof.

The portion of the biological fluid collection device depicted in broken lines forms no part of the claimed design. A side-elevation view opposite the first side-elevation view is omitted as such would be identical to the first side-elevation view. Likewise, a side-elevation view opposite the second side-elevation view is omitted as such would be identical to the second side-elevation view.

1 Claim, 4 Drawing Sheets



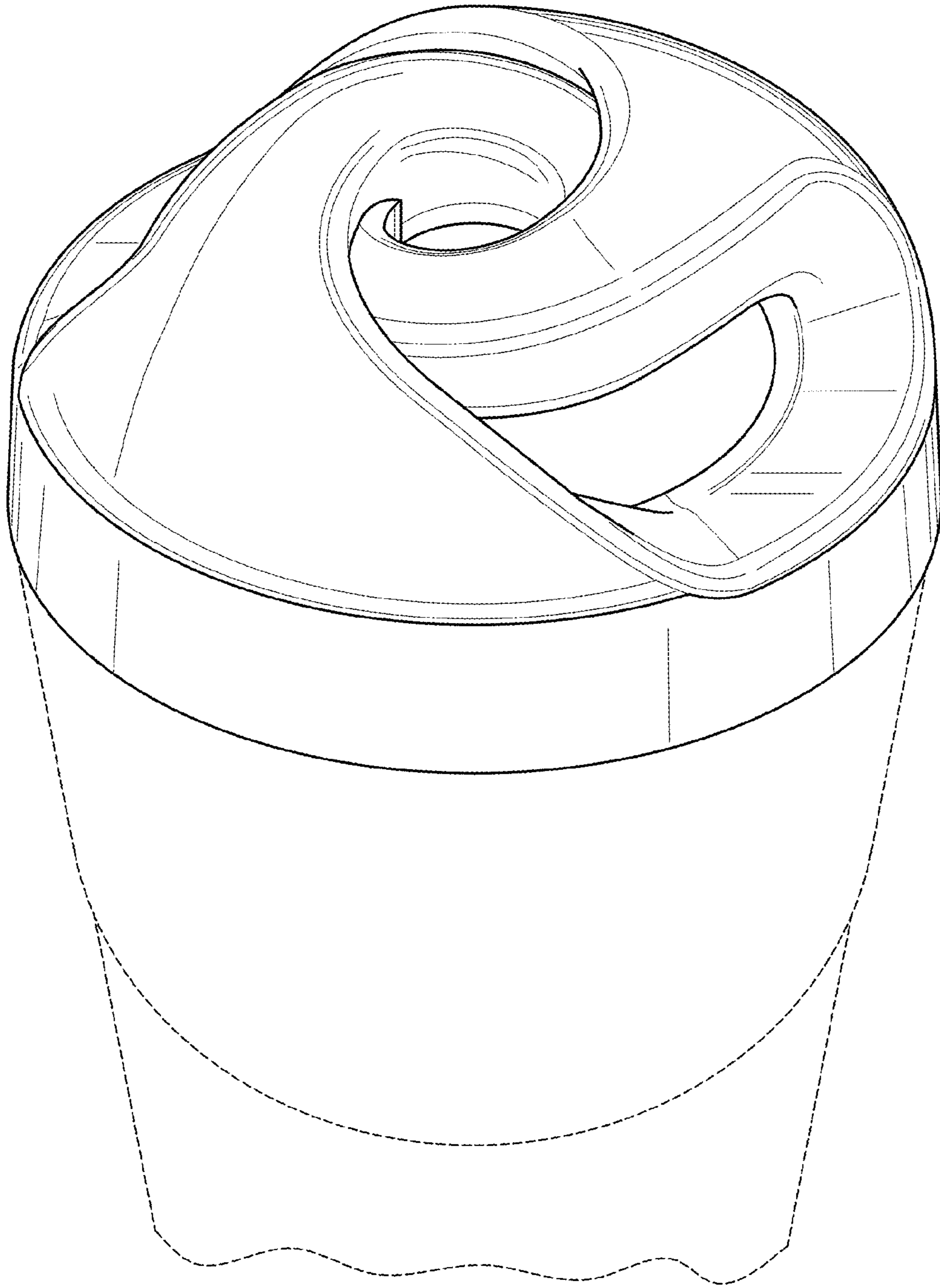


FIG. 1



FIG. 2

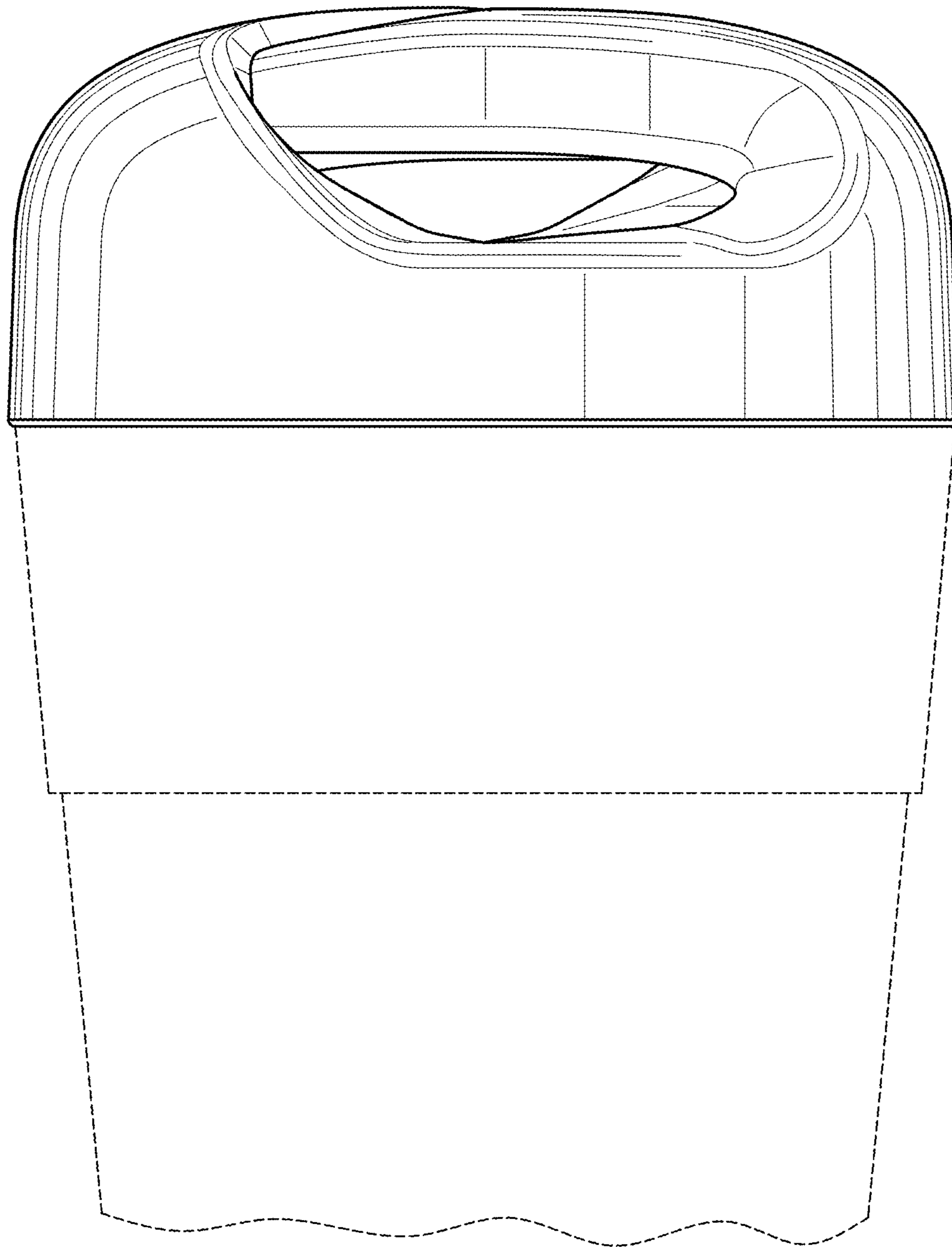


FIG. 3

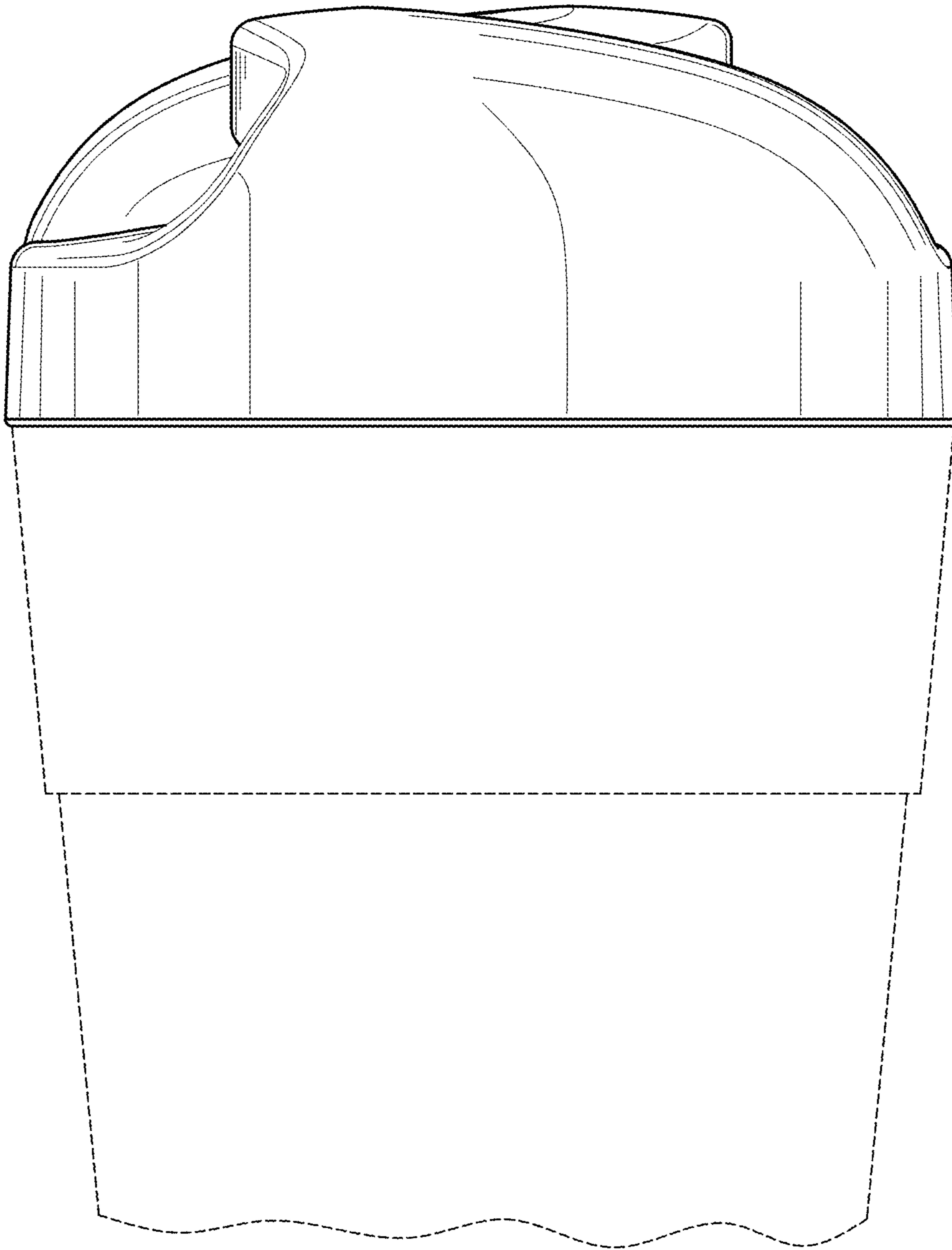


FIG. 4