



US00D751691S

(12) **United States Design Patent**
Shaw et al.

(10) **Patent No.:** **US D751,691 S**
(45) **Date of Patent:** **** Mar. 15, 2016**

- (54) **HOUSING FOR BLOOD COLLECTION SET**
- (71) Applicants: **Retractable Technologies, Inc.**, Little Elm, TX (US); **Thomas J. Shaw**, Frisco, TX (US)
- (72) Inventors: **Thomas J Shaw**, Frisco, TX (US); **Ni Zhu**, Plano, TX (US)
- (73) Assignee: **Retractable Technologies, Inc.**, Little Elm, TX (US)
- (**) Term: **14 Years**
- (21) Appl. No.: **29/481,995**
- (22) Filed: **Feb. 12, 2014**
- (51) **LOC (10) Cl.** **24-02**
- (52) **U.S. Cl.**
USPC **D24/112**
- (58) **Field of Classification Search**
USPC D24/112-114, 133, 186, 104, 127-131;
606/181, 185; 604/264, 272, 115, 232,
604/187, 158, 164.08, 192, 263, 163, 181,
604/184, 198, 227; 600/101, 139, 143;
128/200.24, 207.14, 207.15
CPC A61B 5/1411; A61B 5/14532; A61M
1/3693
See application file for complete search history.

7,553,275	B2 *	6/2009	Padget et al.	600/142
D645,962	S	9/2011	Shaw et al.		
D660,420	S	5/2012	Shaw et al.		
2009/0259201	A1 *	10/2009	Hwang et al.	604/263
2012/0071831	A1 *	3/2012	Erskine	604/164.08
2013/0066276	A1 *	3/2013	Ito et al.	604/164.08
2014/0094774	A1 *	4/2014	Blanchard	604/506
2014/0100529	A1 *	4/2014	Ito	604/164.08
2014/0364809	A1 *	12/2014	Isaacson et al.	604/164.08

OTHER PUBLICATIONS

Vanishpoint Blood Collection Sets, <http://www.vanishpoint.com/files/RTI-Product-Catalog.pdf>.*

* cited by examiner

Primary Examiner — David Muller

Assistant Examiner — Nathan Johnston

(74) *Attorney, Agent, or Firm* — Monty L. Ross; Ross Barnes LLP; Robin L. Barnes

(57) **CLAIM**

The ornamental design for a housing for blood collection set, as shown and described.

DESCRIPTION

FIG. 1 is a perspective view of a housing for a blood collection set;
FIG. 2 is a top plan view thereof;
FIG. 3 is a bottom plan view thereof;
FIG. 4 is a front elevation view thereof;
FIG. 5 is a rear elevation view thereof;
FIG. 6 is a left side elevation view thereof; and,
FIG. 7 is right side elevation view thereof.

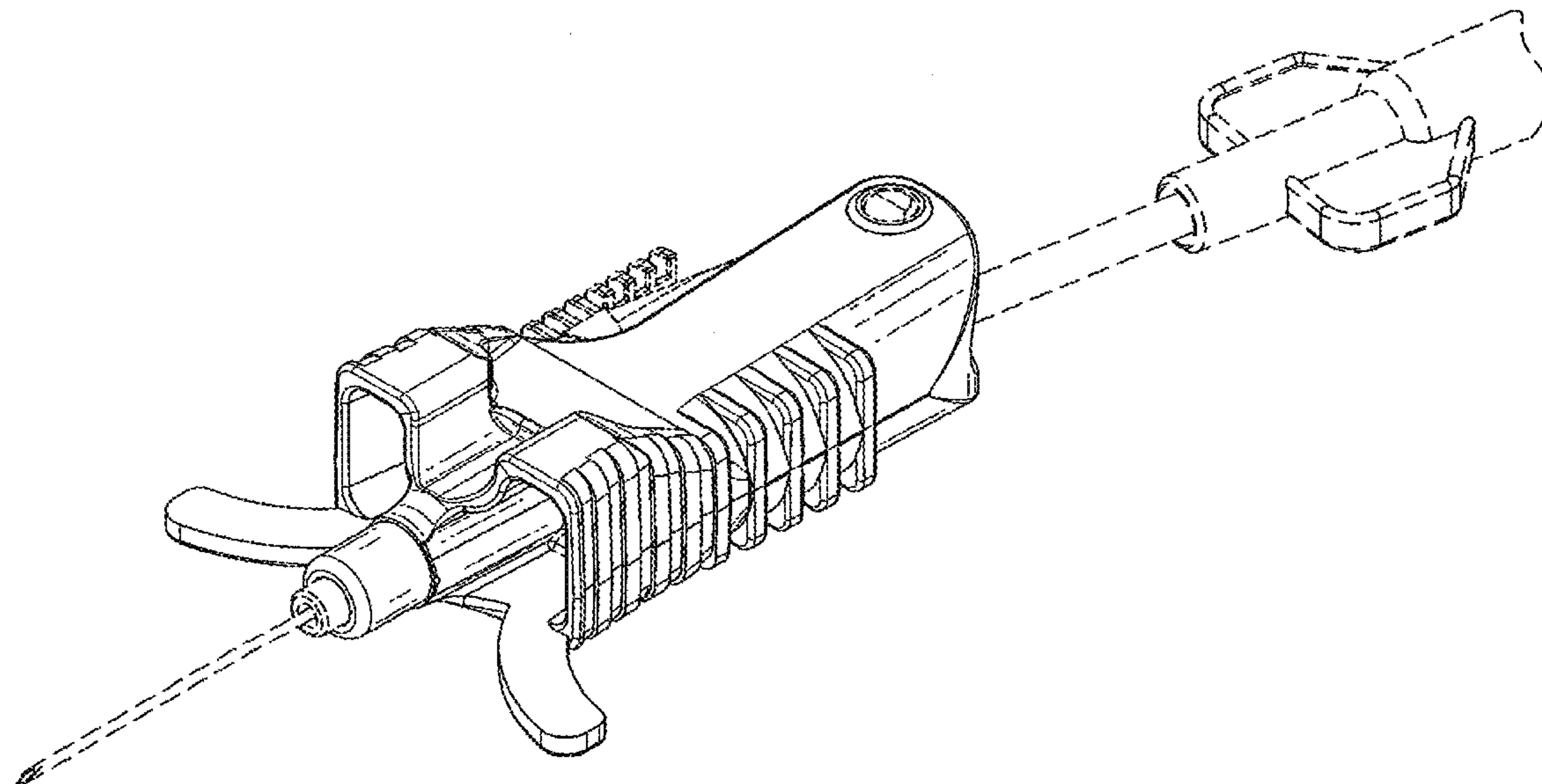
The broken line showing of parts of the drawings is included for the purpose of illustrating use and environment and forms no part of the claimed design.

1 Claim, 5 Drawing Sheets

(56) **References Cited**

U.S. PATENT DOCUMENTS

4,994,040	A *	2/1991	Cameron et al.	604/160
5,098,389	A *	3/1992	Cappucci	604/158
5,104,381	A *	4/1992	Gresl et al.	604/158
D395,501	S *	6/1998	Erskine et al.	D24/112
D452,000	S *	12/2001	Crawford et al.	D24/112
D458,994	S *	6/2002	Cindrich	D24/130



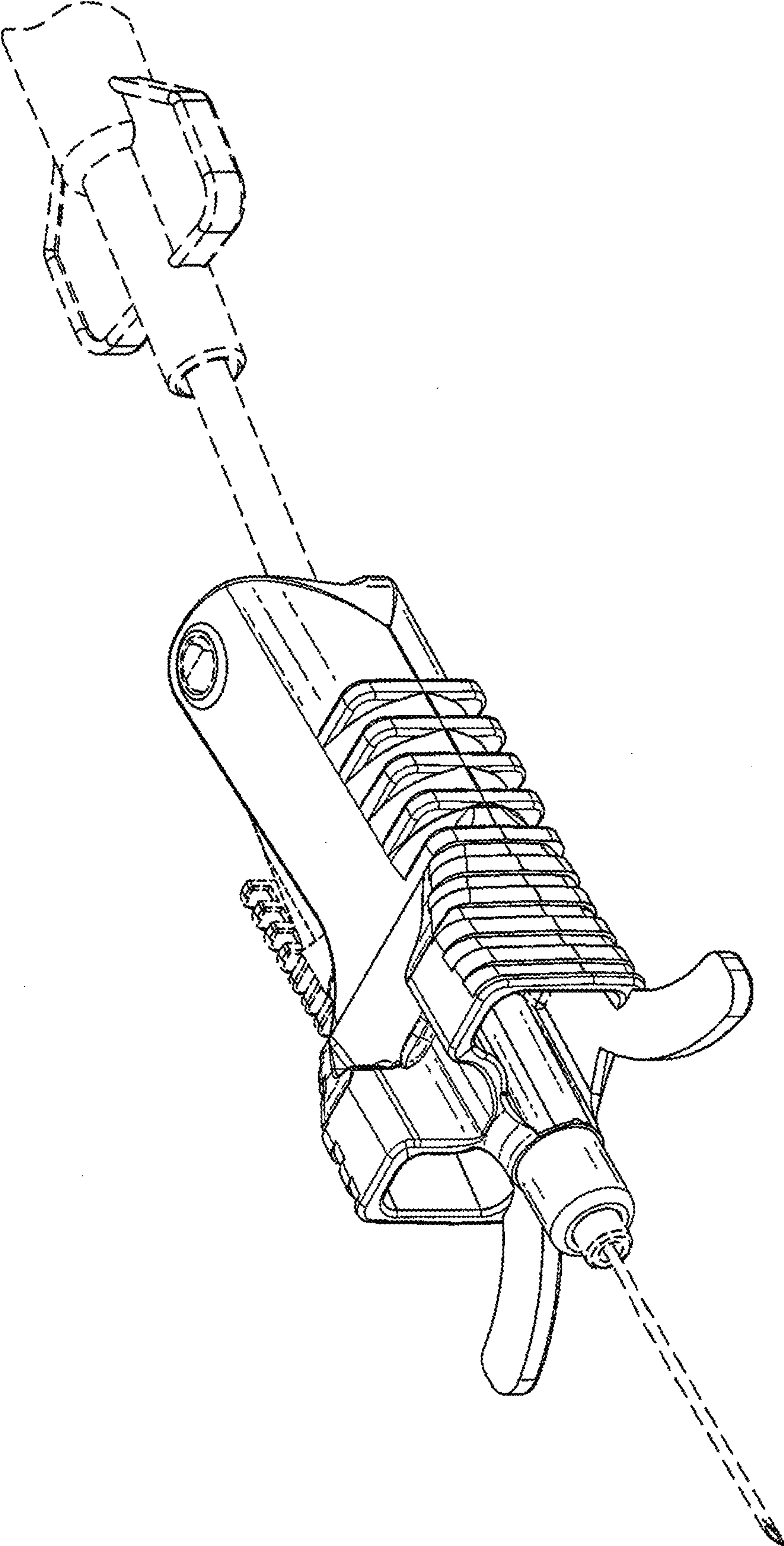


FIG. 1

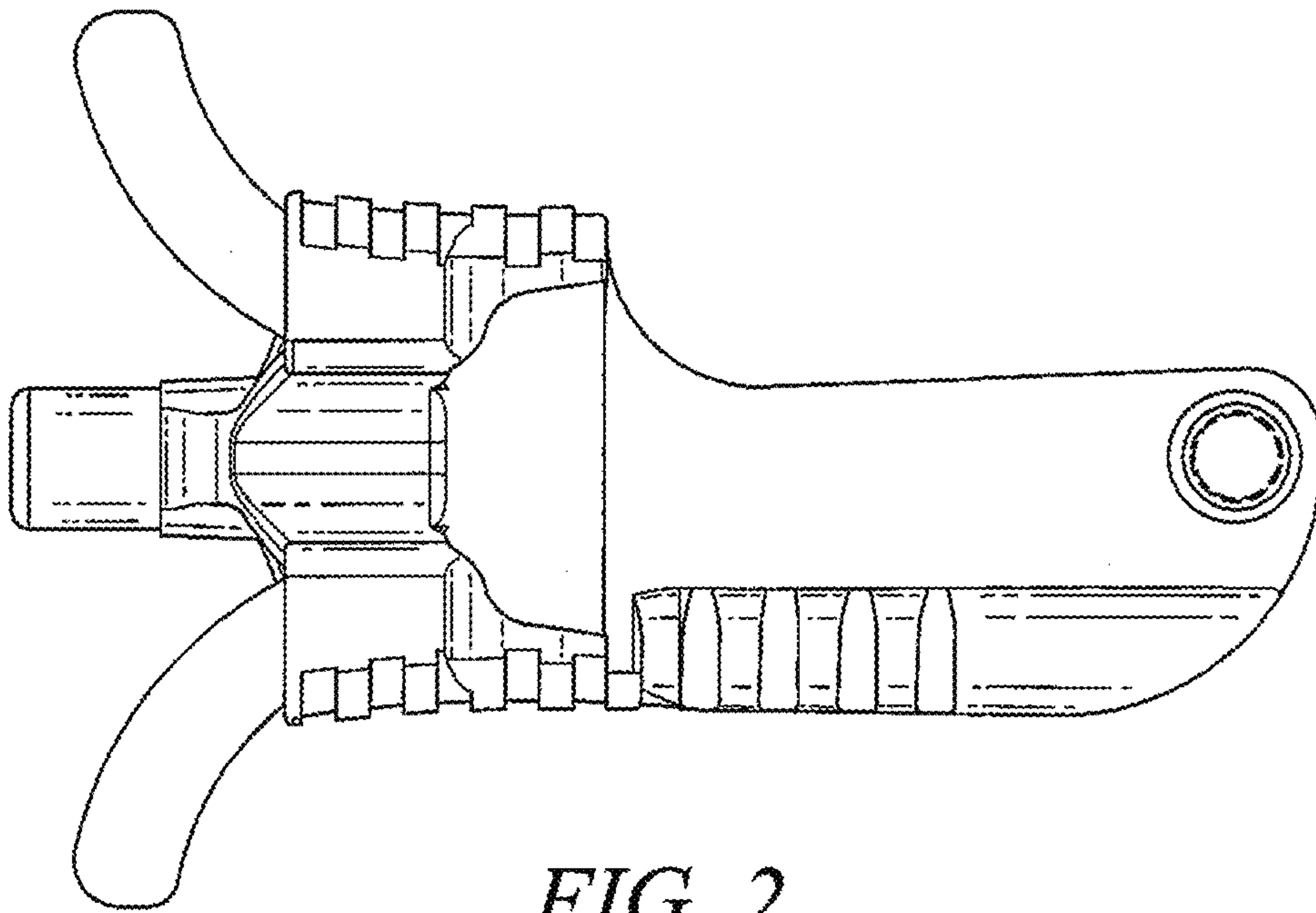


FIG. 2

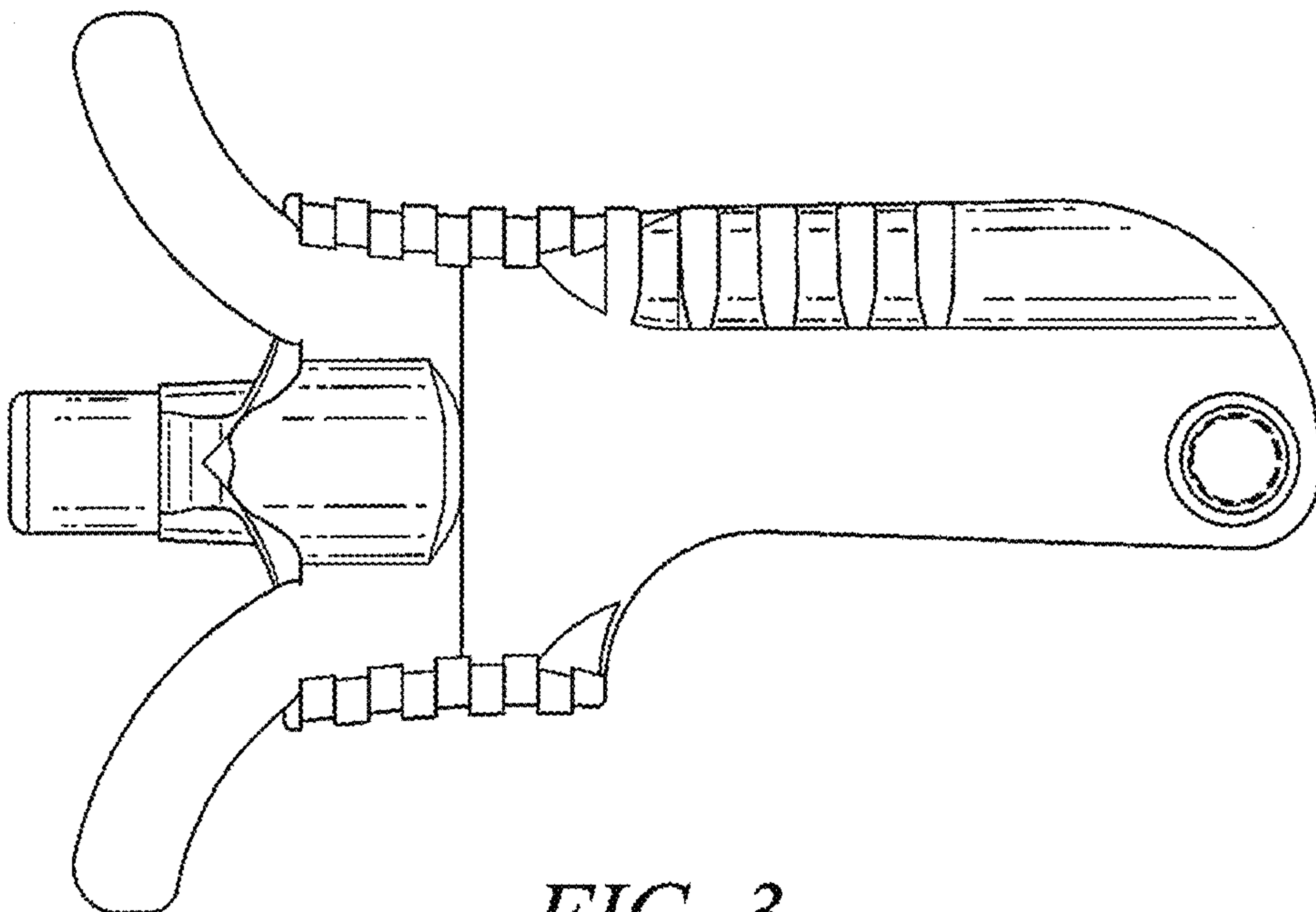


FIG. 3

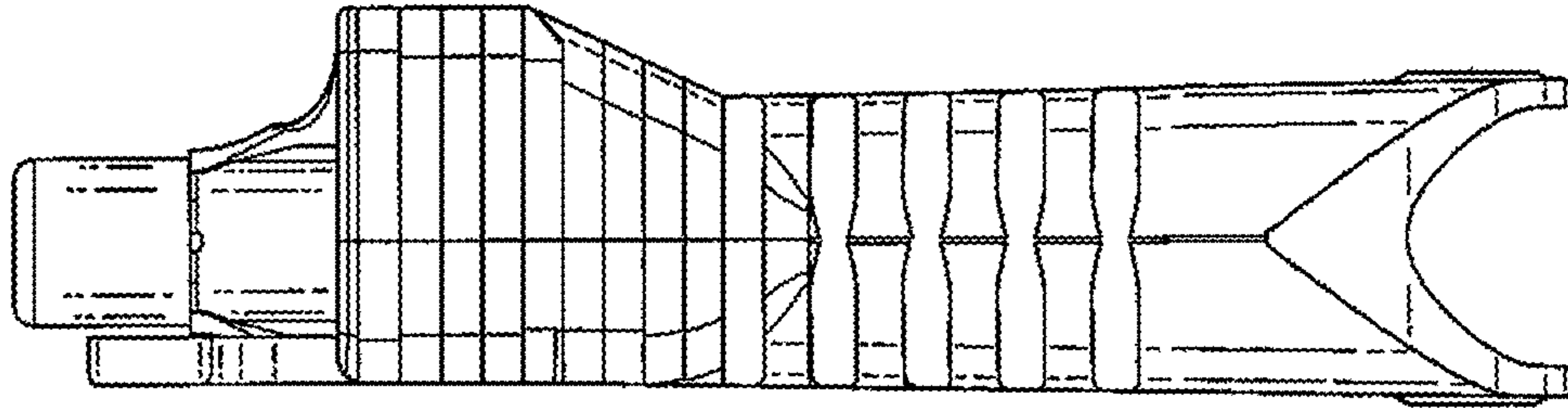


FIG. 4

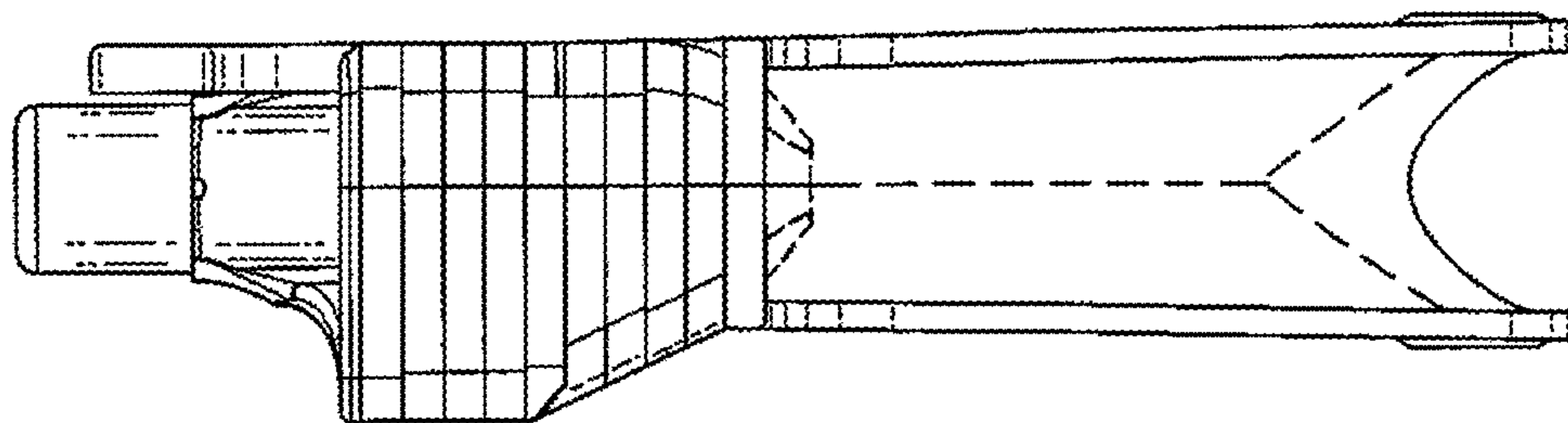


FIG. 5

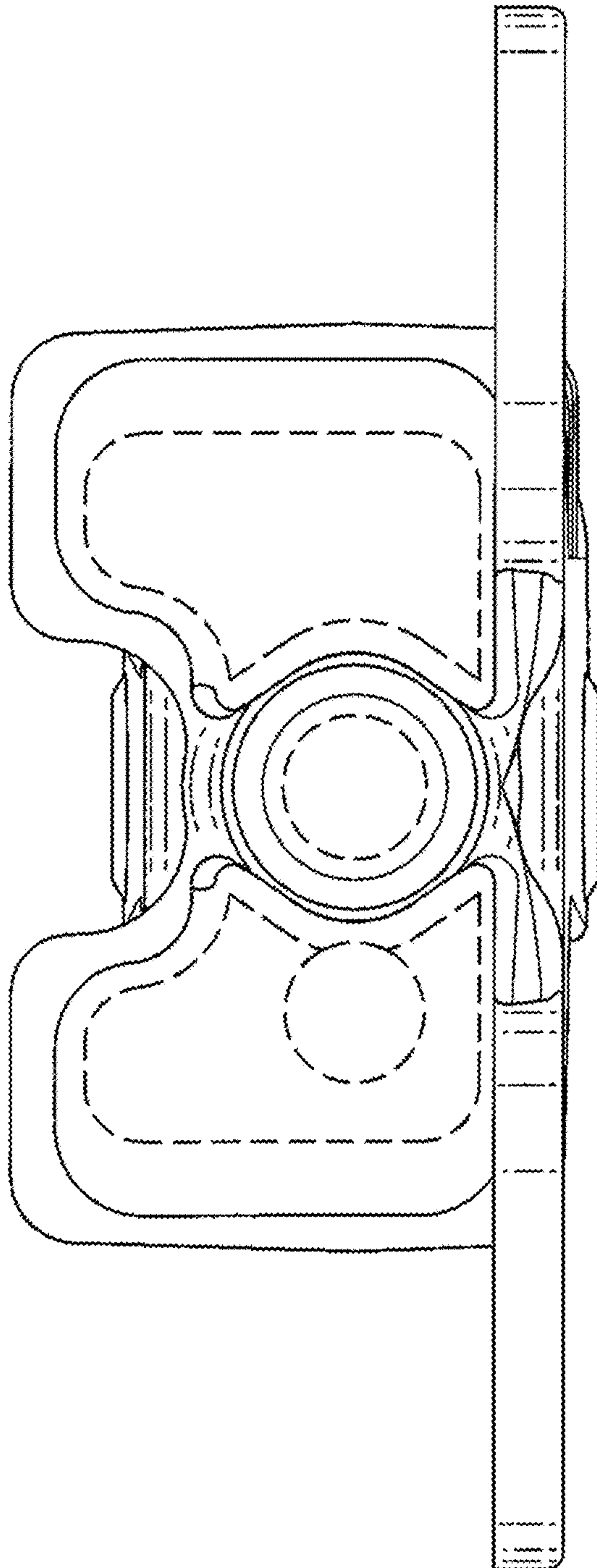


FIG. 6

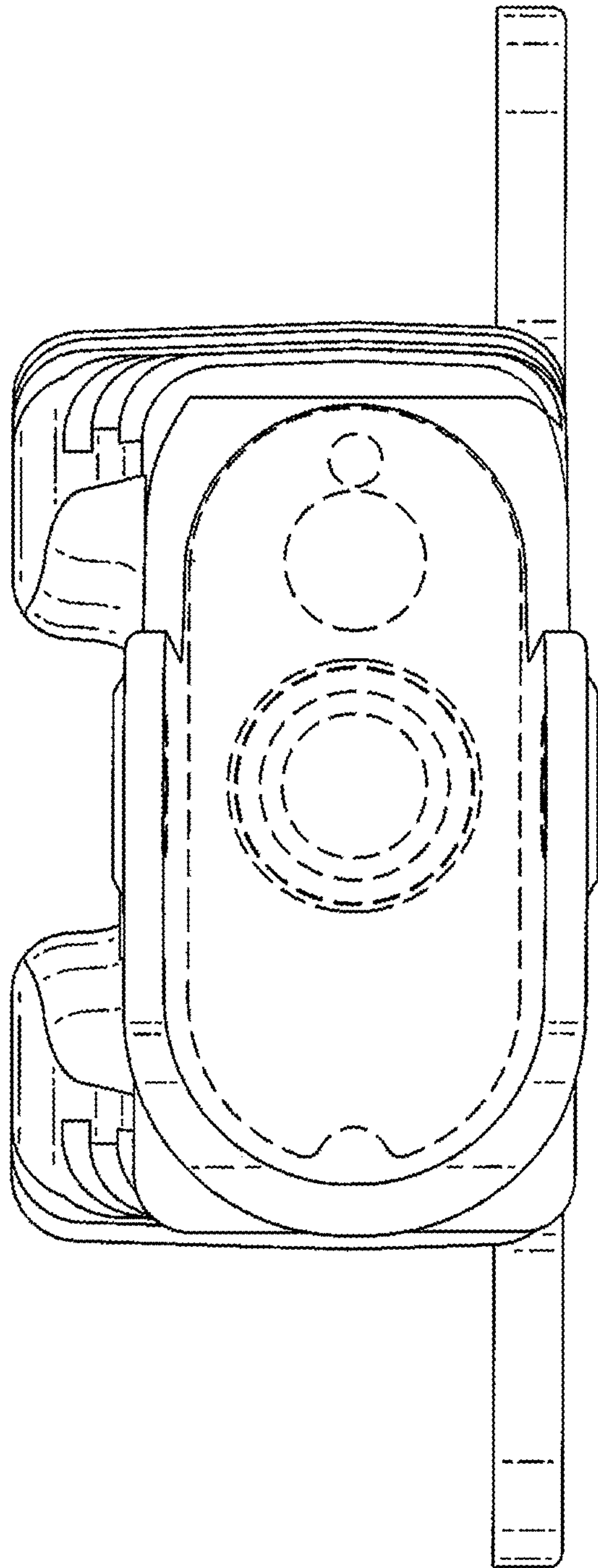


FIG. 7