



US00D751687S

(12) **United States Design Patent**  
**Daly**

(10) **Patent No.:** **US D751,687 S**  
(45) **Date of Patent:** **\*\* Mar. 15, 2016**

(54) **TUBING SET**  
(71) Applicant: **Periodic Breathing Foundation, LLC**,  
East Providence, RI (US)  
(72) Inventor: **Robert W. Daly**, Providence, RI (US)  
(73) Assignee: **THE PERIODIC BREATHING**  
**FOUNDATION, LLC**, Providence, RI  
(US)  
(\*\*) Term: **14 Years**  
(21) Appl. No.: **29/468,138**  
(22) Filed: **Sep. 26, 2013**  
(51) **LOC (10) Cl.** ..... **29-02**  
(52) **U.S. Cl.**  
USPC ..... **D24/110**  
(58) **Field of Classification Search**  
USPC ..... D24/110, 110.1–110.5, 127; D29/108  
CPC ..... A61M 16/0616; A61M 16/0633;  
A61M 16/06; A61M 16/0666; A61M 16/0683;  
A61M 16/0875; A61M 16/0816  
See application file for complete search history.

(56) **References Cited**  
**U.S. PATENT DOCUMENTS**  
2,073,335 A \* 3/1937 Connell ..... A61M 16/08  
128/204.18  
3,163,707 A \* 12/1964 Darling ..... A47L 9/24  
128/204.18  
D302,040 S \* 7/1989 Lambert ..... D23/314  
D360,027 S \* 7/1995 Psaros ..... D23/359  
5,468,961 A \* 11/1995 Gradon ..... A61M 16/16  
250/343  
5,558,084 A \* 9/1996 Daniell ..... A61M 16/1075  
128/203.12  
5,640,951 A \* 6/1997 Huddart ..... A61M 16/08  
128/203.26  
5,682,878 A \* 11/1997 Ogden ..... A61M 16/00  
128/204.18  
5,941,245 A \* 8/1999 Hannah ..... A62B 18/084  
128/201.22  
D439,326 S \* 3/2001 Hecker ..... D24/110.1

6,595,214 B1 \* 7/2003 Hecker ..... A61M 16/06  
128/206.21  
8,807,139 B1 \* 8/2014 Kostrzewski ..... A61C 7/08  
128/204.18  
D737,953 S \* 9/2015 Wells ..... D24/110  
2008/0210236 A1 \* 9/2008 Richard ..... A61M 16/0666  
128/204.23  
2009/0025724 A1 \* 1/2009 Herron, Jr. .... A61M 16/0808  
128/204.18  
2009/0039210 A1 \* 2/2009 Yates ..... F16L 3/127  
248/74.1  
2009/0078259 A1 \* 3/2009 Kooij ..... A61M 16/0875  
128/205.25  
2010/0147302 A1 \* 6/2010 Selvarajan ..... A61M 16/00  
128/204.23  
2011/0247619 A1 \* 10/2011 Formica ..... F16L 11/111  
128/204.18  
2013/0047987 A1 \* 2/2013 Mays ..... A61M 16/08  
128/204.18  
2013/0333701 A1 \* 12/2013 Herron ..... A61M 16/0875  
128/203.27  
2014/0102452 A1 \* 4/2014 Forrester ..... A61M 16/0875  
128/204.18  
2014/0158133 A1 \* 6/2014 Acosta ..... A61M 16/0666  
128/204.25

(Continued)

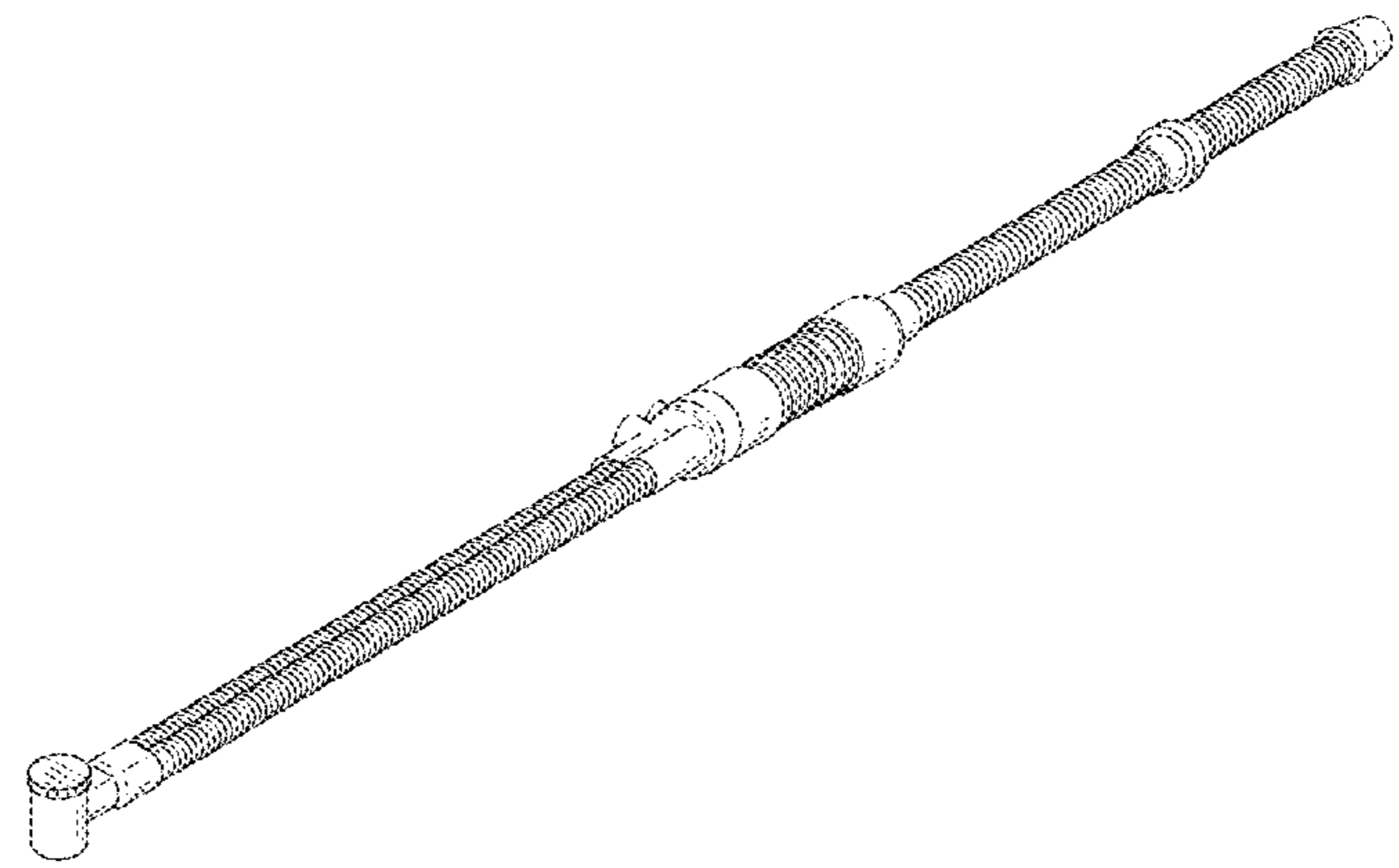
*Primary Examiner* — Barbara Fox  
*Assistant Examiner* — Lilyana Bekic  
(74) *Attorney, Agent, or Firm* — Barlow, Josephs & Holmes,  
Ltd.

(57) **CLAIM**  
The ornamental design for a tubing set, as shown and  
described.

**DESCRIPTION**

FIG. 1 is a perspective view of a tubing set, showing my new  
design;  
FIG. 2 is a right side view thereof;  
FIG. 3 is a left side view thereof;  
FIG. 4 is a bottom end view thereof;  
FIG. 5 is a top end view thereof;  
FIG. 6 is a front view thereof; and,  
FIG. 7 is a rear view thereof.

**1 Claim, 4 Drawing Sheets**



(56)

**References Cited**

U.S. PATENT DOCUMENTS

2014/0238401	A1*	8/2014	Paschall .....	A61M 16/0622 128/205.25	2015/0075524	A1*	3/2015	Millar .....	A61M 16/00 128/202.27
2014/0261427	A1*	9/2014	Foote .....	A61M 16/0069 128/204.23	2015/0108670	A1*	4/2015	Magee .....	A61M 16/0875 261/142
2015/0059759	A1*	3/2015	Frater .....	A61M 16/0488 128/205.25	2015/0122260	A1*	5/2015	Daly .....	A61M 16/0045 128/204.23
					2015/0128944	A1*	5/2015	Buechi .....	A61M 16/1065 128/203.27

\* cited by examiner

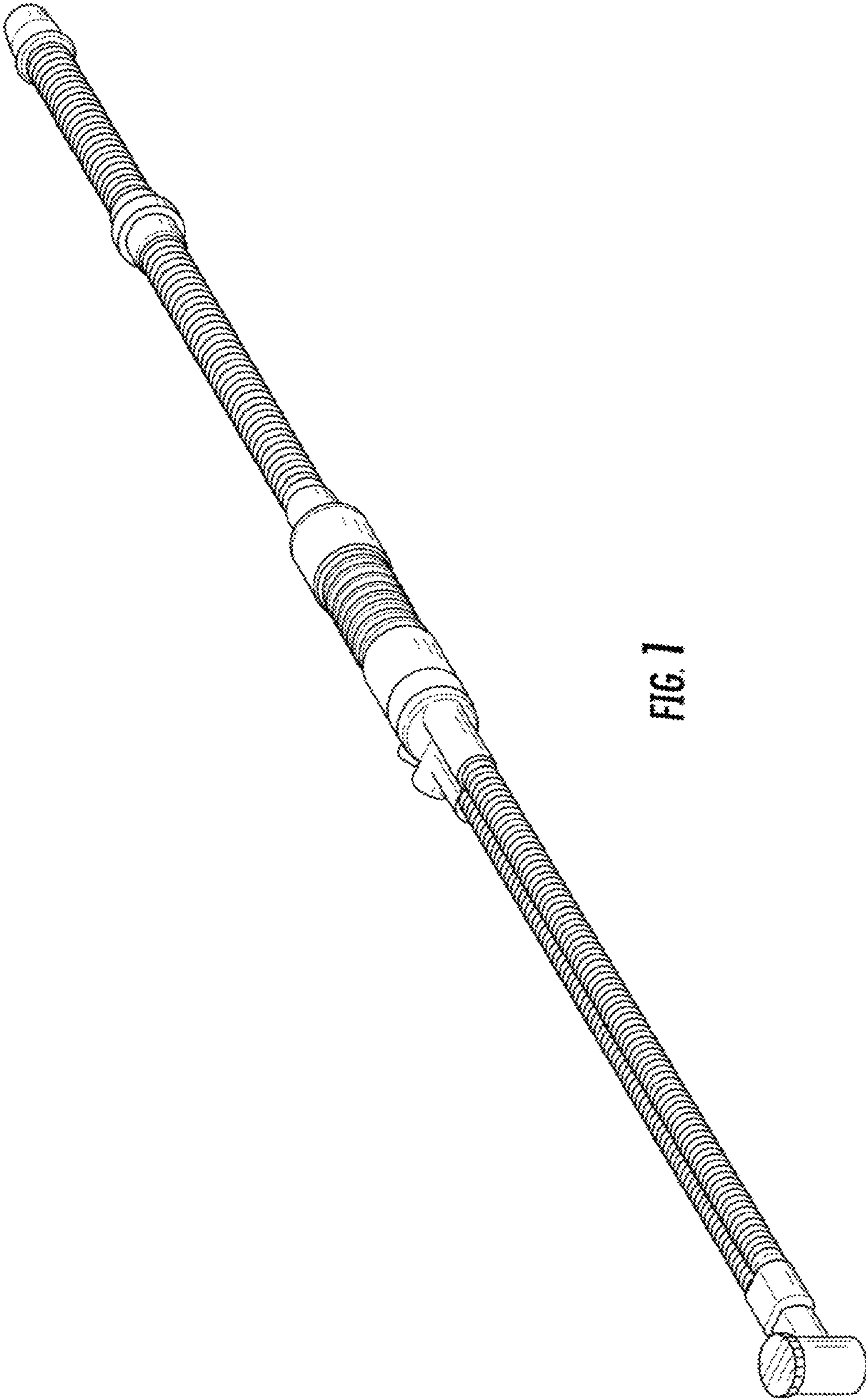


FIG. 1



FIG. 2



FIG. 3

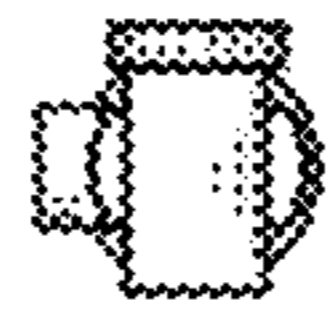


FIG. 4



FIG. 5



FIG. 6



FIG. 7