

US00D751686S

(12) **United States Design Patent**  
**Harris**

(10) **Patent No.:** **US D751,686 S**  
(45) **Date of Patent:** **\*\* Mar. 15, 2016**

- (54) **HEATING, VENTILATION AND AIR-CONDITIONING UNIT**
- (71) Applicant: **Fusion HVAC Pty Limited**, West End, Queensland (AU)
- (72) Inventor: **Kevin Harris**, West End (AU)
- (73) Assignee: **Fusion HVAC Pty Limited**, Queensland (AU)
- (\*\*) Term: **14 Years**
- (21) Appl. No.: **29/498,605**
- (22) Filed: **Aug. 5, 2014**

D390,910 S *	2/1998	Sundquist .....	D23/209
D401,306 S *	11/1998	Ward .....	D23/209
D401,687 S *	11/1998	Pearce .....	D23/411
D463,524 S *	9/2002	Ellis .....	D23/209
D470,216 S *	2/2003	Gustafson .....	D23/209
D471,623 S *	3/2003	Gieseke .....	D23/365
D475,129 S *	5/2003	Ward .....	D23/365
D476,725 S *	7/2003	Dushek .....	D23/365
D513,304 S *	12/2005	Suzuki .....	D23/209
D612,925 S *	3/2010	Kameyama .....	D23/393
D621,915 S *	8/2010	Fima .....	D23/261
D637,690 S *	5/2011	Riedel .....	D23/209
D646,350 S *	10/2011	Salvador .....	D23/209
D652,497 S *	1/2012	Troxell .....	D23/365
D658,281 S *	4/2012	Goemans .....	D23/387
D694,871 S *	12/2013	Maholick .....	D23/365
D721,431 S *	1/2015	Herbst .....	D23/382
D724,189 S *	3/2015	Nielson .....	D23/269
D739,513 S *	9/2015	Williams .....	D23/365

- (30) **Foreign Application Priority Data**  
Feb. 6, 2014 (AU) ..... 105892014
- (51) **LOC (10) Cl.** ..... **23-04**
- (52) **U.S. Cl.**  
USPC ..... **D23/386**
- (58) **Field of Classification Search**  
USPC ..... D23/385-395, 397, 370-373, 365, 351, D23/354, 399-403, 421, 499; 454/309, 454/275-277, 284, 287-291, 358-363; 52/302.1, 32.07; 285/229, 189, 183, 285/123.1, 15, 114, 110, 424, 197; 165/59; 34/97  
CPC ..... F24F 11/0012; F24F 11/0076  
See application file for complete search history.

\* cited by examiner

*Primary Examiner* — David Muller  
*Assistant Examiner* — Nathan Johnston  
(74) *Attorney, Agent, or Firm* — Kilpatrick Townsend & Stockton LLP

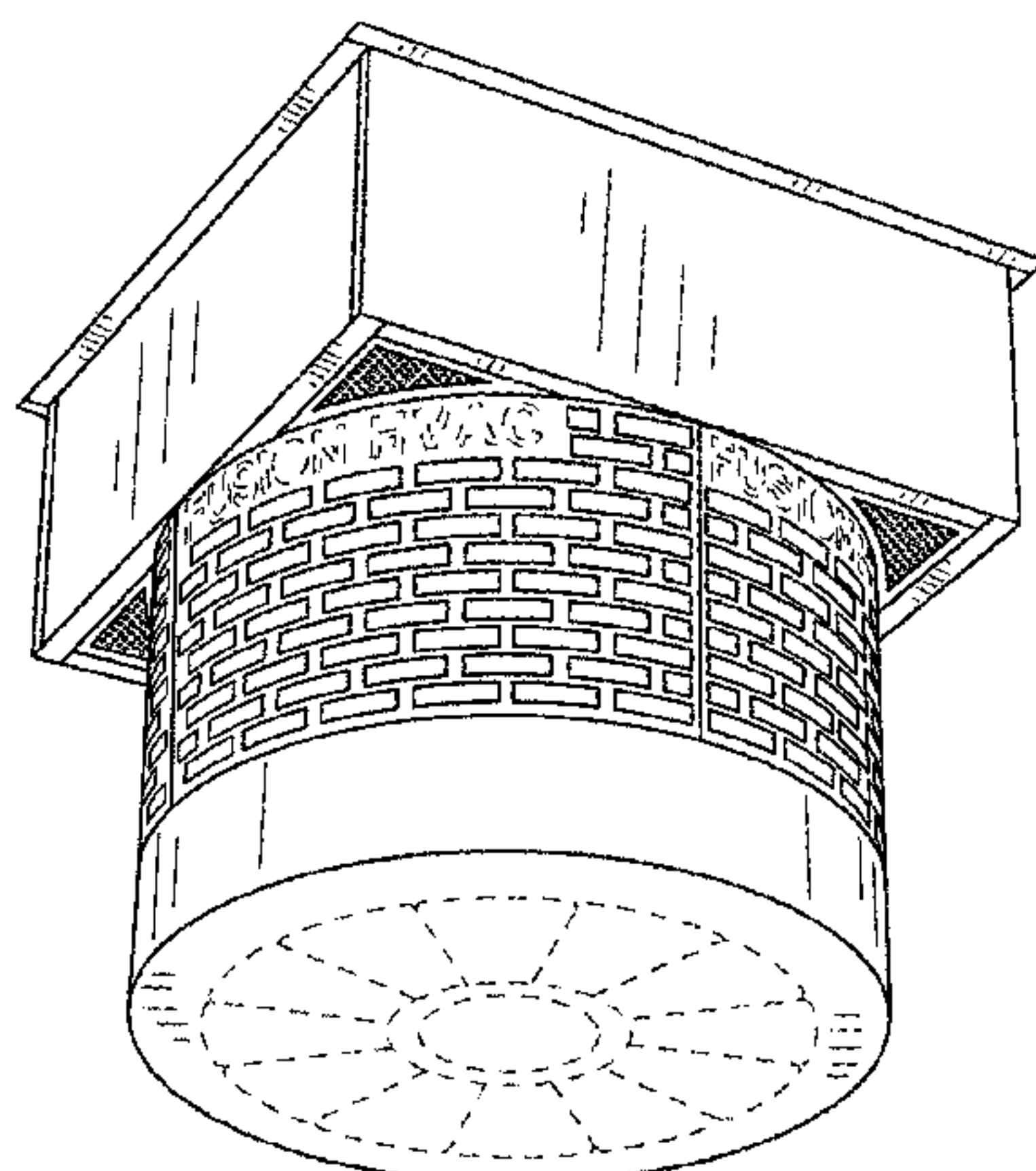
- (56) **References Cited**  
U.S. PATENT DOCUMENTS  
D207,561 S \* 5/1967 Bedell ..... D23/371  
D274,462 S \* 6/1984 Rakocy ..... D23/365  
D281,272 S \* 11/1985 Lynch, Jr. .... D23/364  
D337,818 S \* 7/1993 Rutherford ..... D23/371  
D376,845 S \* 12/1996 Chen ..... D23/377  
D387,145 S \* 12/1997 Knight ..... D23/354

(57) **CLAIM**  
The ornamental design for the heating, ventilation and air-conditioning unit, as shown and described.

**DESCRIPTION**

FIG. 1 is a front perspective view of the heating, ventilation and air-conditioning unit;  
FIG. 2 is a bottom plan view thereof;  
FIG. 3 is a front elevation view thereof;  
FIG. 4 is a rear elevation view thereof;  
FIG. 5 is a right side elevation view thereof;  
FIG. 6 is a left side elevation view thereof; and,  
FIG. 7 is a top plan view thereof.  
The features shown in broken lines depict environmental subject matter only and form no part of the claimed design.

**1 Claim, 7 Drawing Sheets**



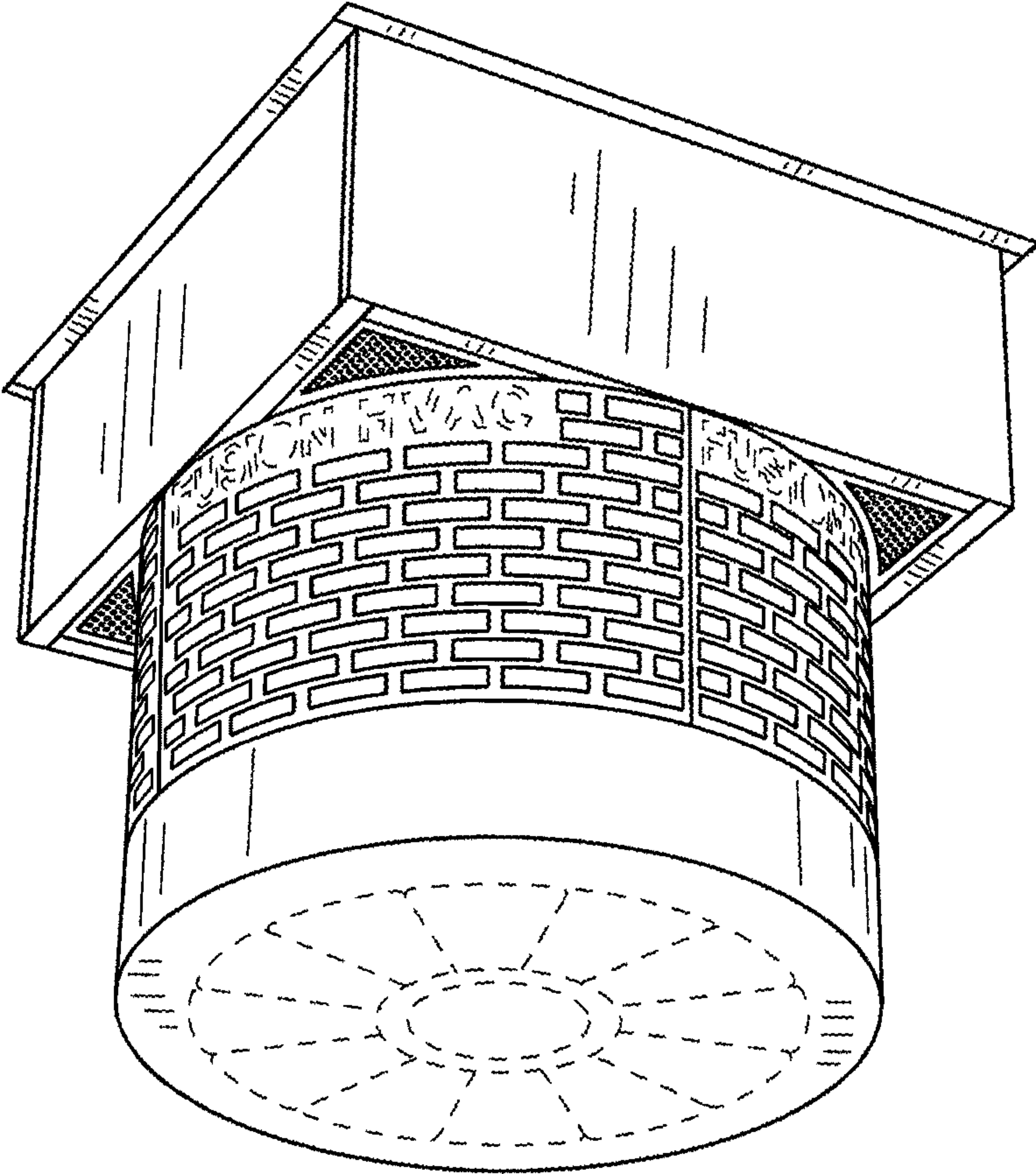


FIG.1

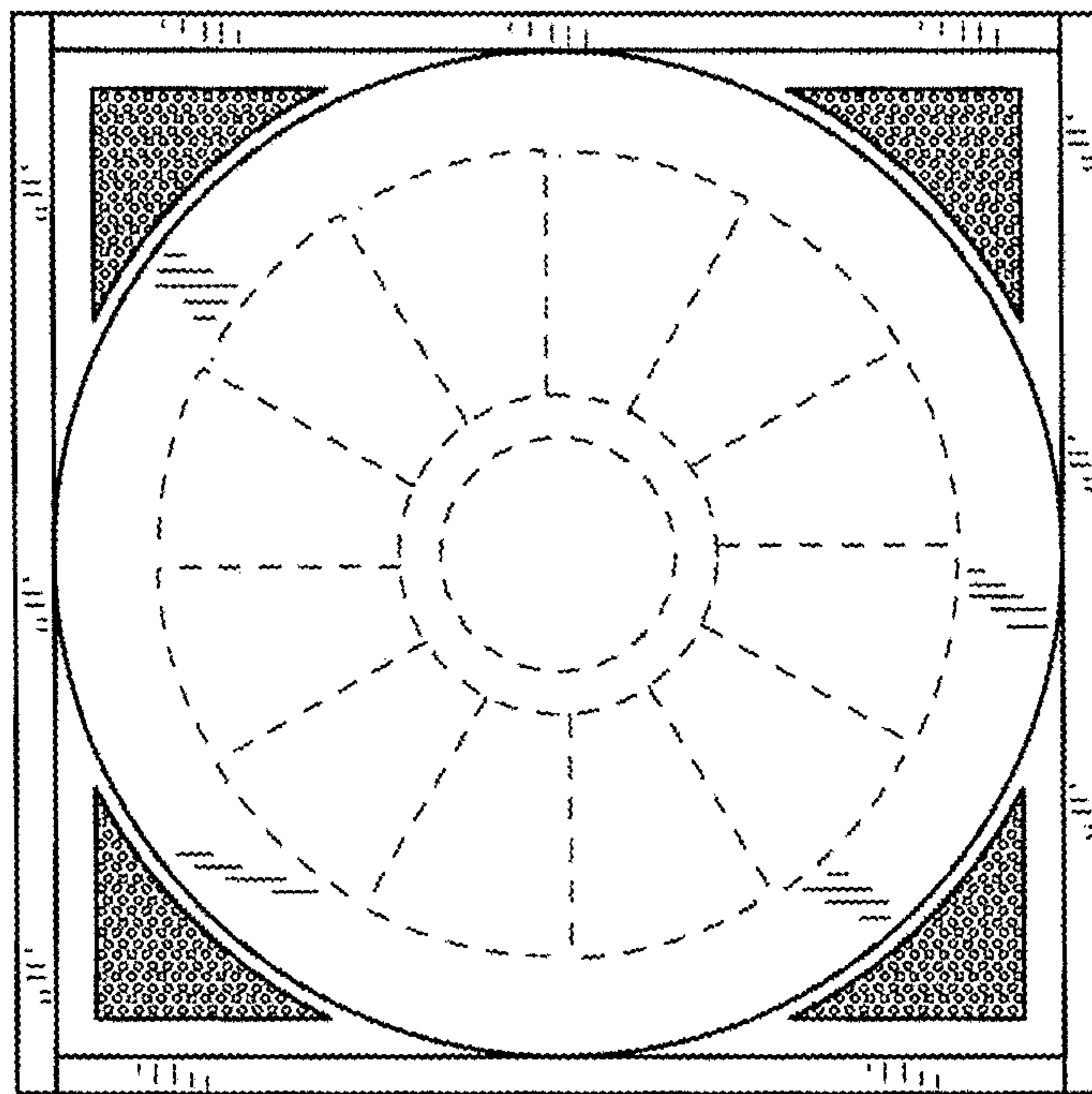


FIG. 2

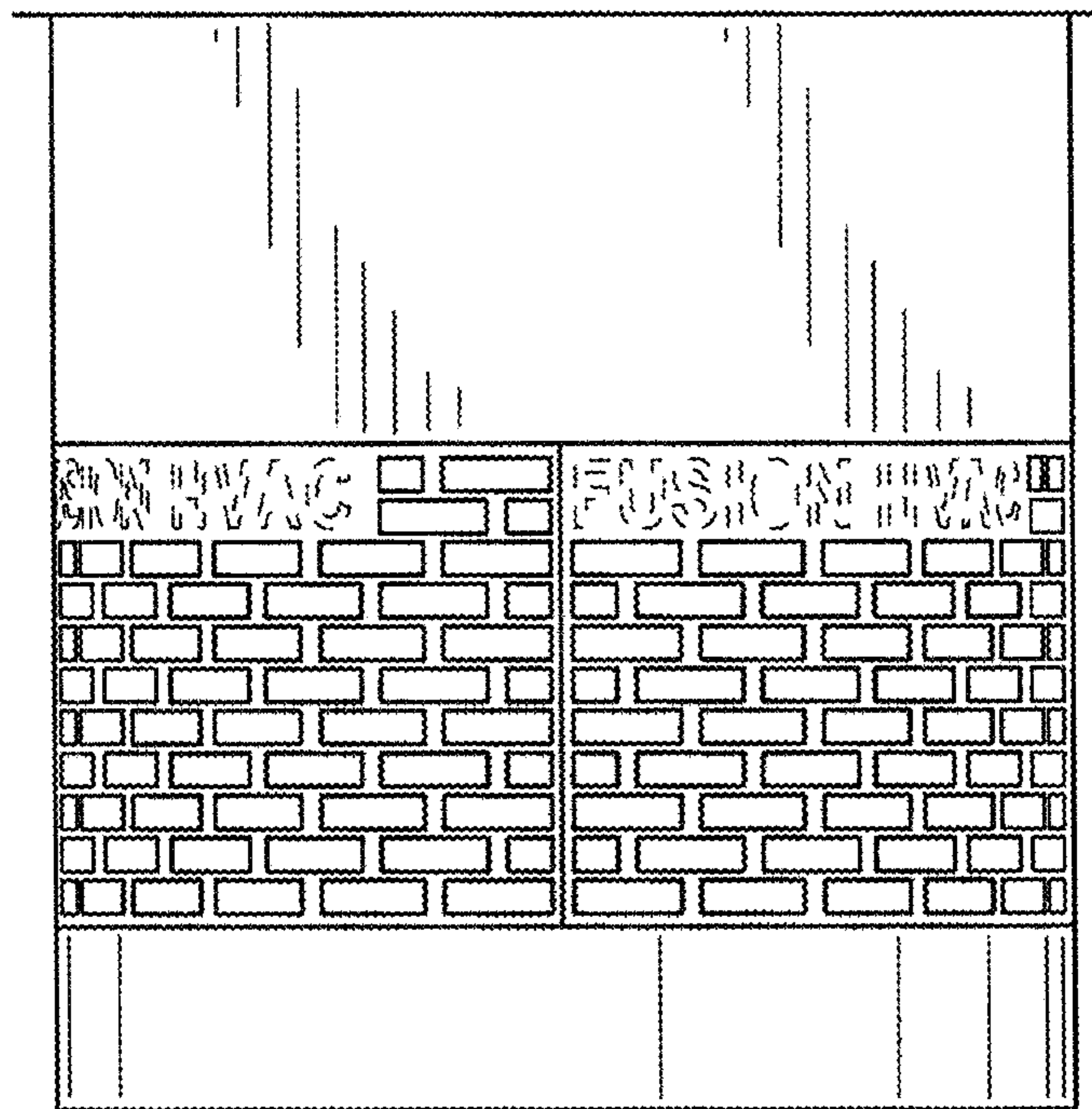


FIG.3



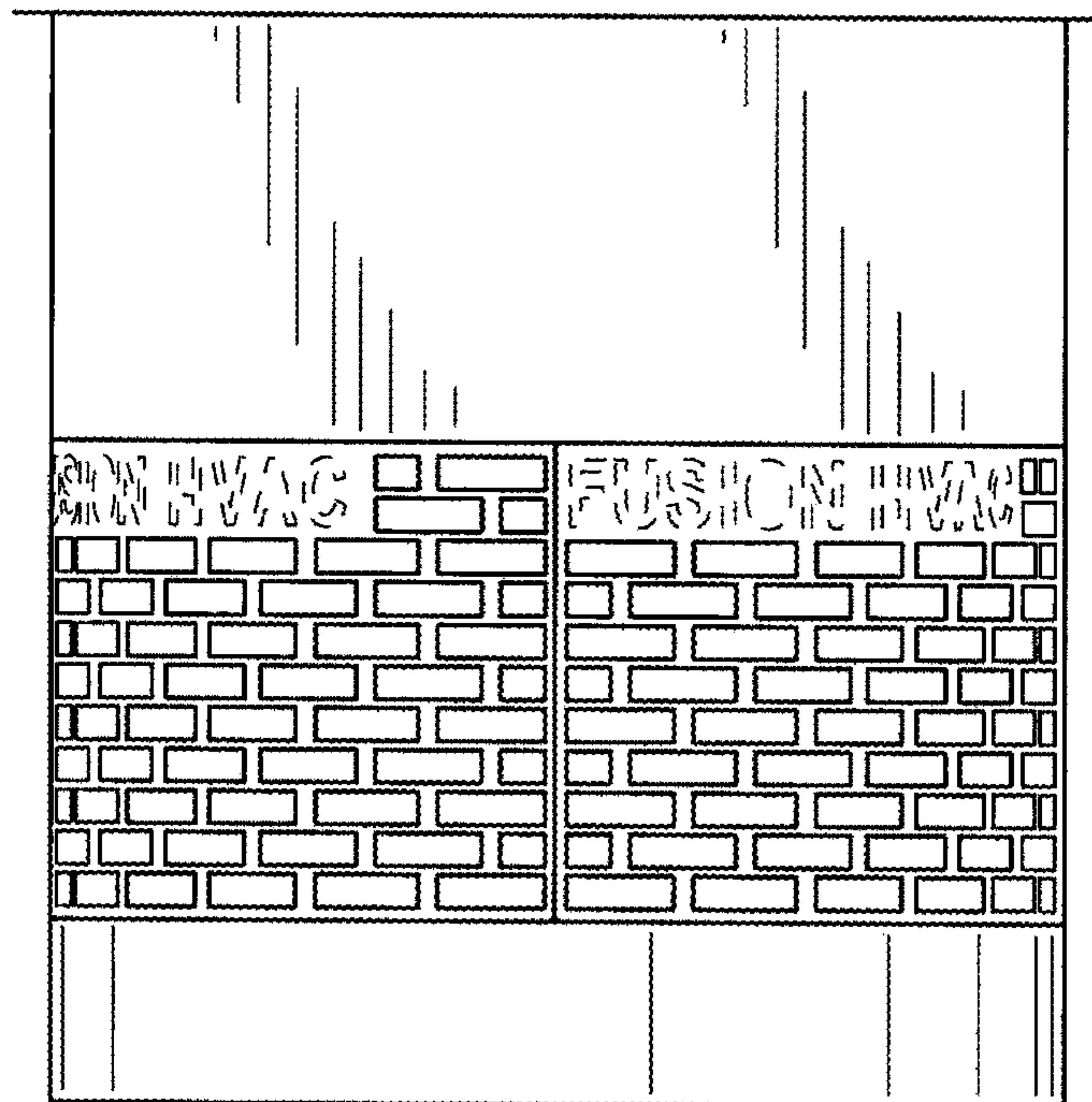


FIG.4

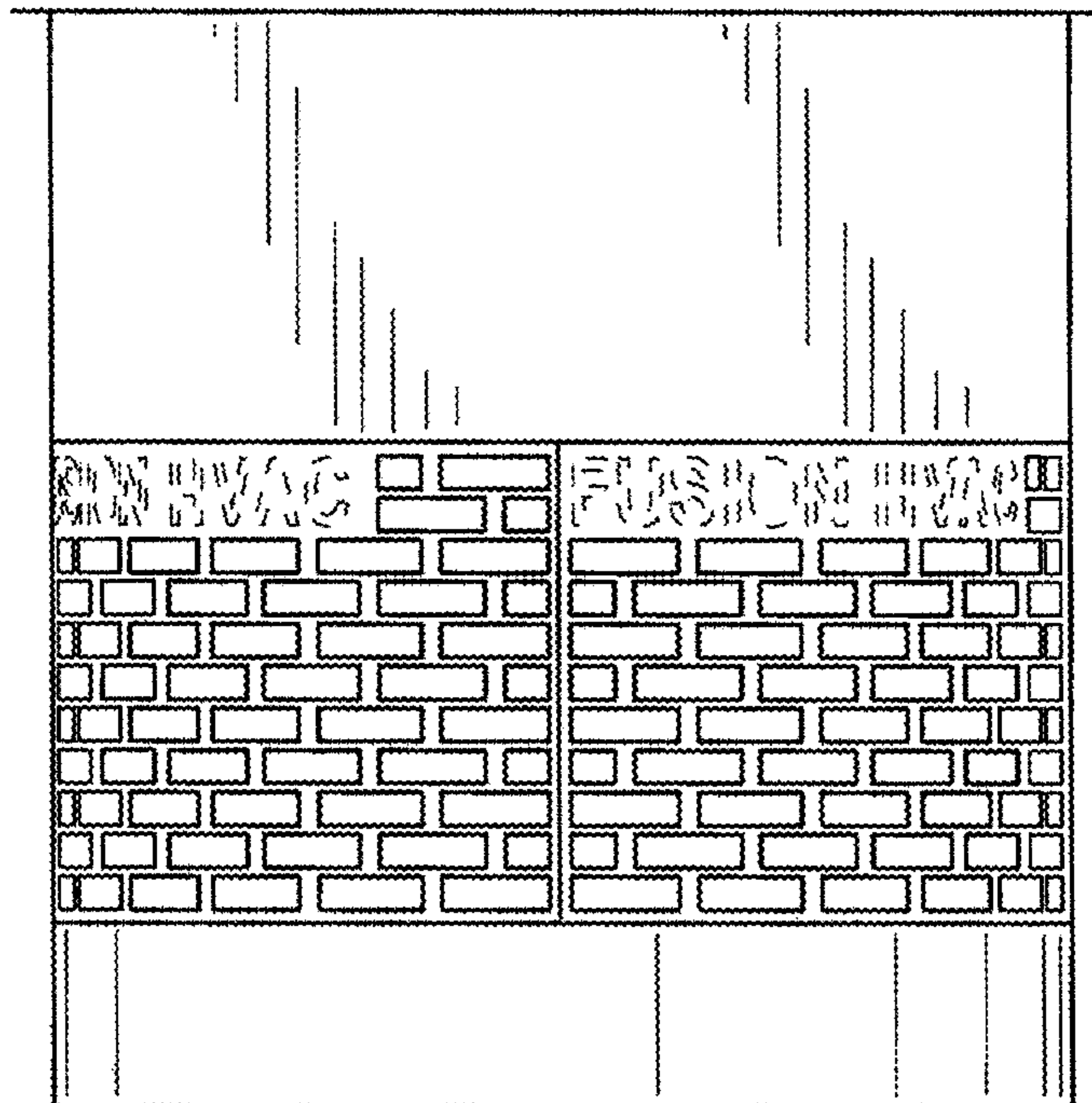


FIG.5

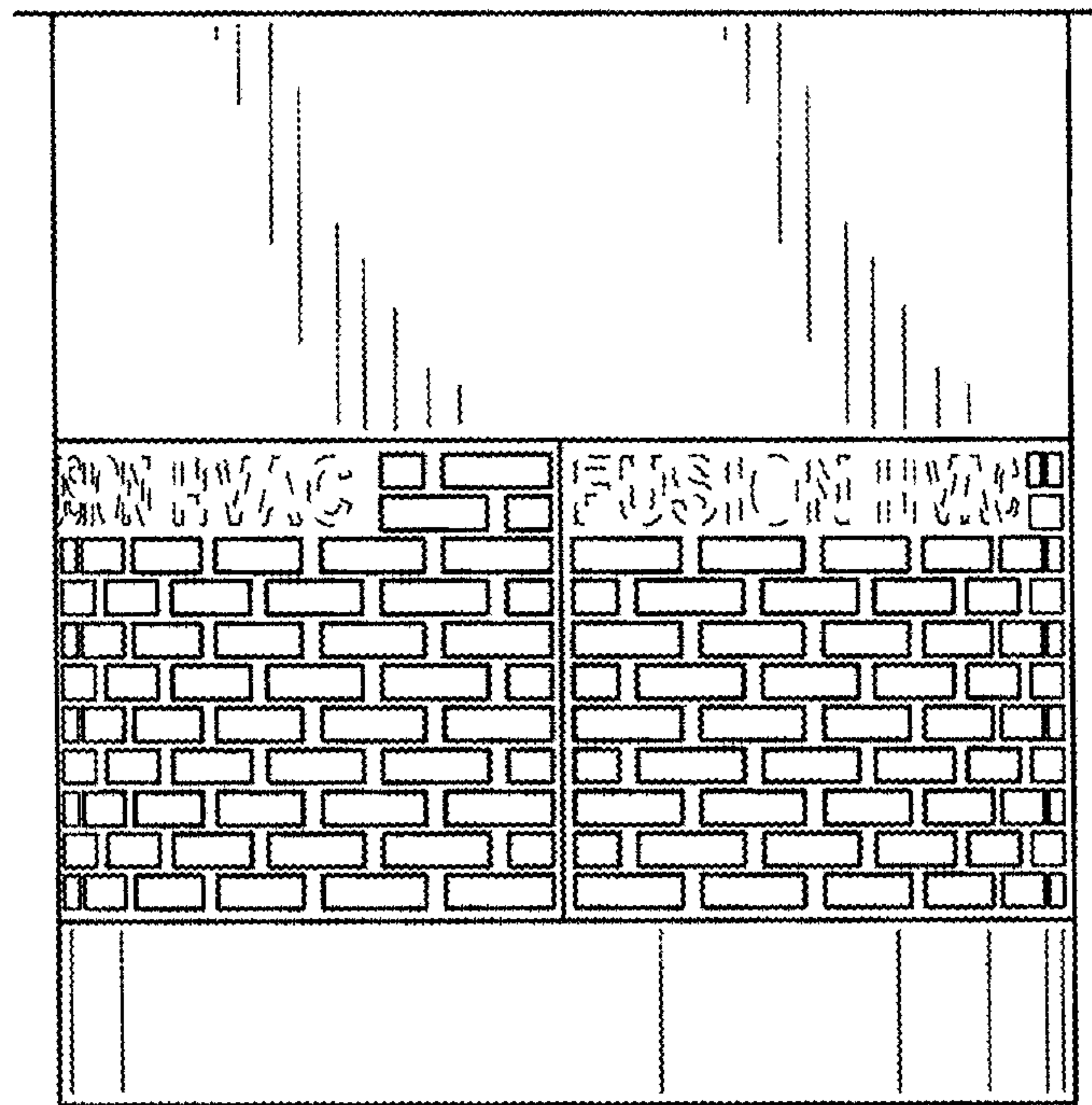


FIG. 6

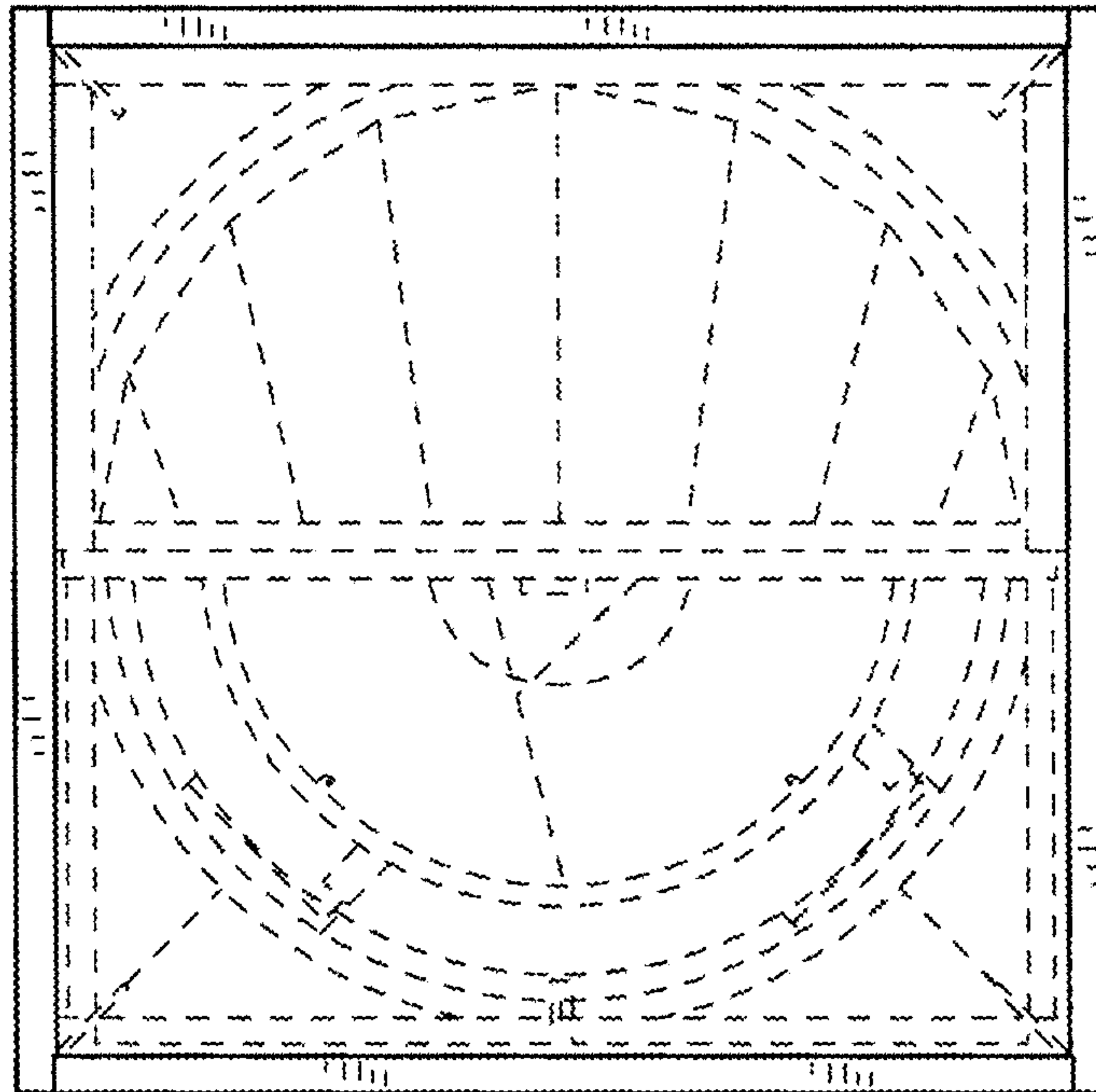


FIG.7