

US00D751685S

(12) **United States Design Patent**
Wanezaki

(10) **Patent No.:** **US D751,685 S**
(45) **Date of Patent:** **** Mar. 15, 2016**

(54) **BLOWER**

(71) Applicant: **SHINANO KENSHI CO., LTD.**,
Ueda-shi, Nagano (JP)

(72) Inventor: **Makoto Wanezaki**, Ueda (JP)

(73) Assignee: **SHINANO KENSHI CO., LTD.**,
Nagano (JP)

(**) Term: **14 Years**

(21) Appl. No.: **29/481,515**

(22) Filed: **Feb. 6, 2014**

(30) **Foreign Application Priority Data**

Aug. 6, 2013 (JP) 2013-163663
Sep. 2, 2013 (JP) 2013-020292

(51) **LOC (10) Cl.** **23-04**

(52) **U.S. Cl.**
USPC **D23/386**

(58) **Field of Classification Search**
USPC D23/383, 365, 209, 363, 358, 386, 354,
D23/341, 364, 393; 55/385.3, 502, 497,
55/506, 505, 521, 495, 422, 493, DIG. 30;
210/435, 130, 136, 248, 339, 448, 452,
210/497.1; D15/5; 454/347, 322, 338;
415/204, 60, 66, 68; D32/15
CPC B01D 21/0039; B01D 21/0042
See application file for complete search history.

(56) **References Cited**

U.S. PATENT DOCUMENTS

3,344,766 A * 10/1967 Cottell 116/137 A
3,407,995 A * 10/1968 Kinsworthy 415/94
3,856,431 A * 12/1974 Tucker 417/350
D298,051 S * 10/1988 Matheson et al. D23/365
D361,414 S * 8/1995 Trautloff et al. D32/15
D368,269 S * 3/1996 Chapman D15/5

D393,506 S * 4/1998 Ohi et al. D32/15
D407,475 S * 3/1999 Coulonvaux et al. D23/364
D409,737 S * 5/1999 Nilsson D23/332
D413,122 S * 8/1999 Chapman D15/5
D417,044 S * 11/1999 Ohi et al. D32/15
5,997,246 A * 12/1999 Humbad 415/119
6,669,556 B2 * 12/2003 Gautney 454/338
7,210,903 B2 * 5/2007 Lyons 415/204
7,500,825 B2 * 3/2009 Hanai 415/204
7,503,746 B2 * 3/2009 Liu et al. 415/204
7,677,237 B2 * 3/2010 Hancock 126/116 R
7,785,064 B2 * 8/2010 Bartholmey et al. 415/1
7,837,434 B2 * 11/2010 Rabis et al. 415/119
7,837,751 B2 * 11/2010 Dunning et al. 55/385.1
8,070,433 B2 * 12/2011 Sun 415/213.1
8,128,355 B2 * 3/2012 Elsaesser et al. 415/204
2002/0025253 A1 * 2/2002 Ozeki et al. 415/206
2007/0128019 A1 * 6/2007 Chao et al. 415/204
2008/0187439 A1 * 8/2008 Iyer 415/204
2009/0208340 A1 * 8/2009 Horng et al. 416/223 B
2011/0217161 A1 * 9/2011 Yoshioka 415/204
2012/0141262 A1 * 6/2012 Kim et al. 415/204
2012/0294711 A1 * 11/2012 Grigoriev et al. 415/204

(Continued)

Primary Examiner — David Muller

Assistant Examiner — Nathan Johnston

(74) *Attorney, Agent, or Firm* — Oliff PLC

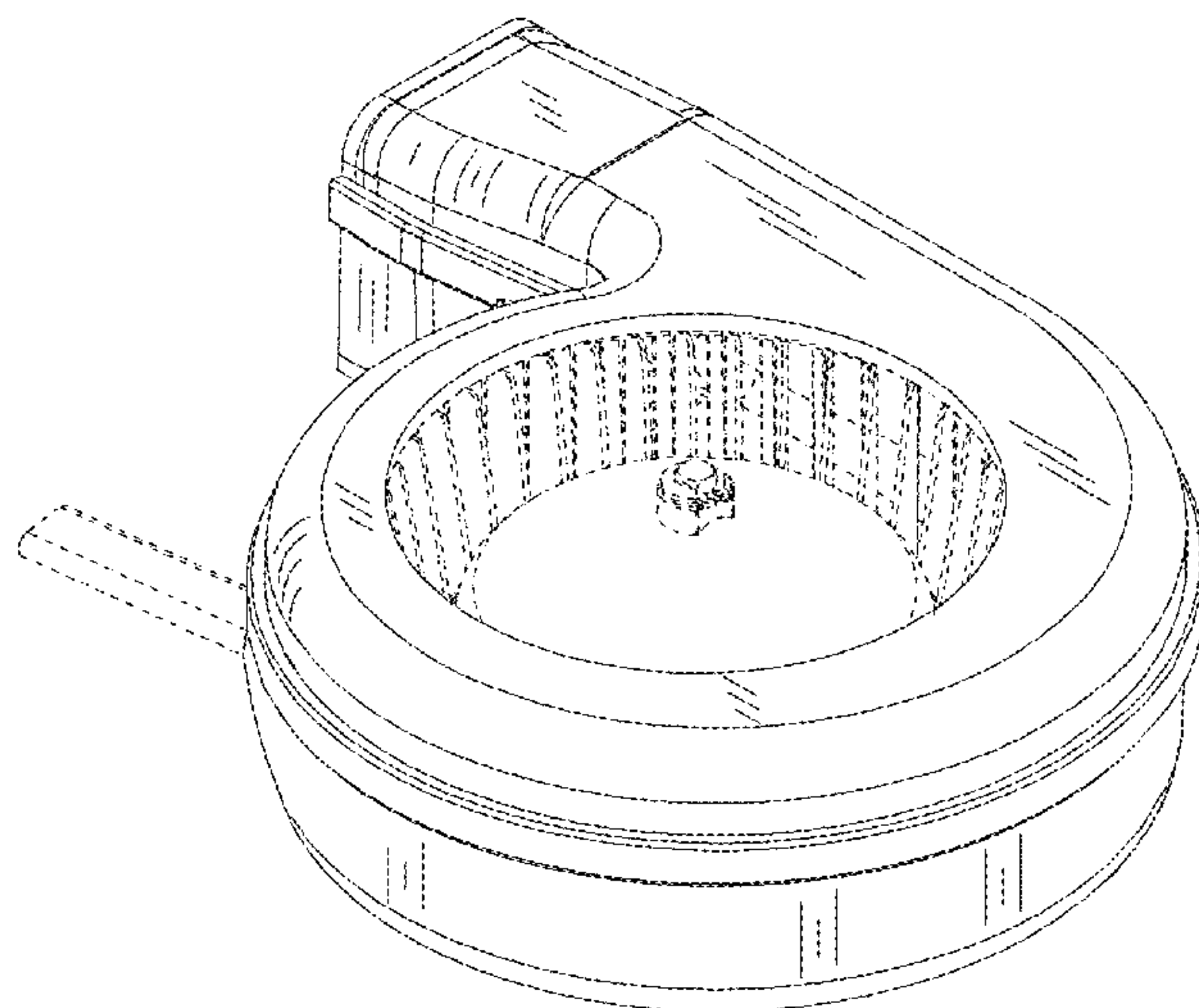
(57) **CLAIM**

The ornamental design for a blower, as shown and described.

DESCRIPTION

FIG. 1 is a perspective view of a blower;
FIG. 2 is a front view thereof;
FIG. 3 is a rear view thereof;
FIG. 4 is a right side view thereof;
FIG. 5 is a left side view thereof;
FIG. 6 is a top plan view thereof; and,
FIG. 7 is a bottom view thereof.
The broken lines depict portions of the blower and form no part of the claimed design.

1 Claim, 7 Drawing Sheets



(56)

References Cited

U.S. PATENT DOCUMENTS

2012/0315134	A1 *	12/2012	Chen	415/204	2014/0010681	A1 *	1/2014	Wang	417/354
2013/0017079	A1 *	1/2013	Armstrong et al.	415/204	2014/0065945	A1 *	3/2014	Zakula et al.	454/322
2013/0052002	A1 *	2/2013	Moore	415/204	2014/0112805	A1 *	4/2014	Sakai	417/354
2013/0094953	A1 *	4/2013	Spathias et al.	415/204	2014/0348645	A1 *	11/2014	Koning et al.	415/204
						2015/0016979	A1 *	1/2015	Park et al.	415/204
						2015/0086347	A1 *	3/2015	Jinnai et al.	415/204

* cited by examiner

FIG. 1

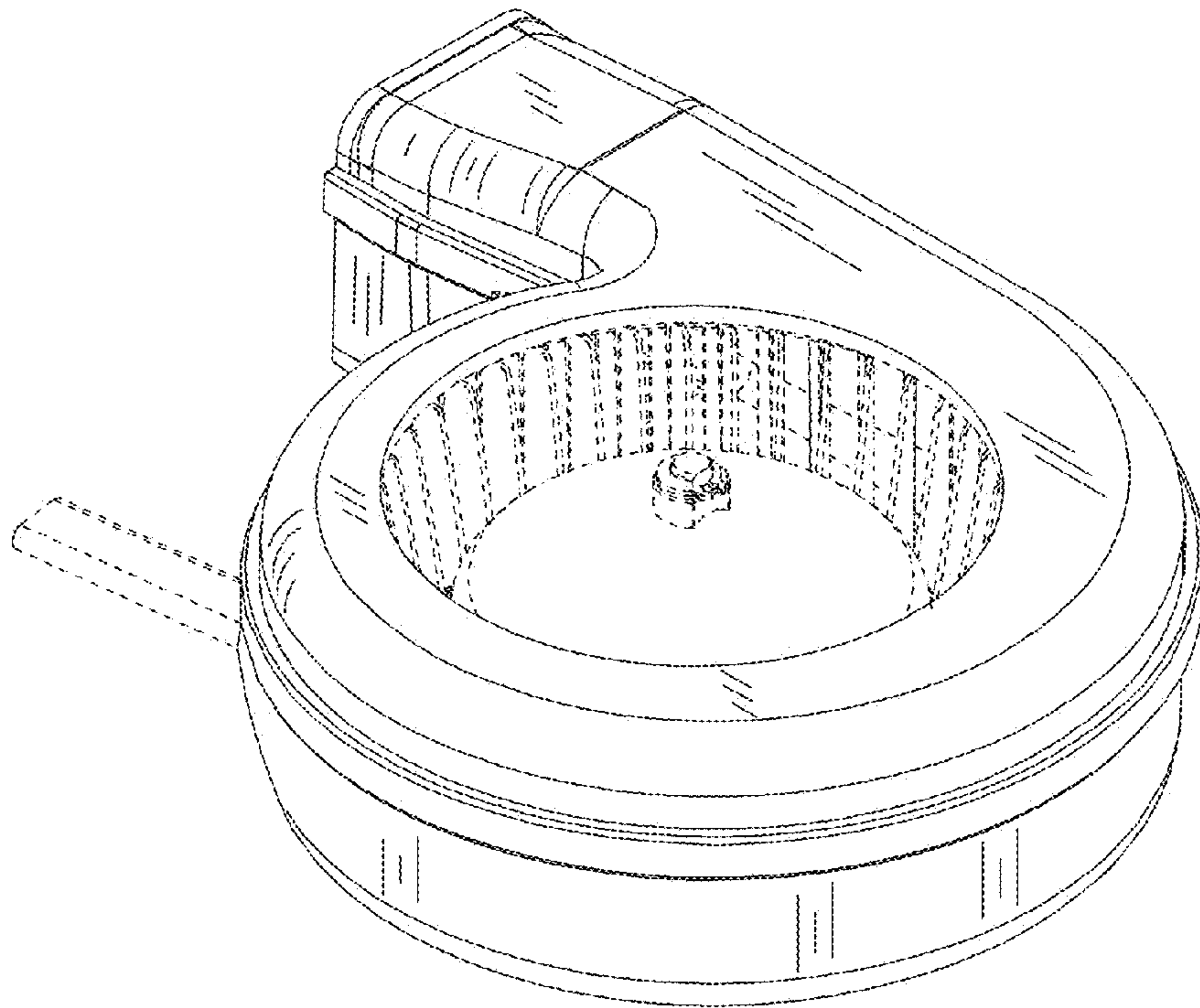


FIG. 2

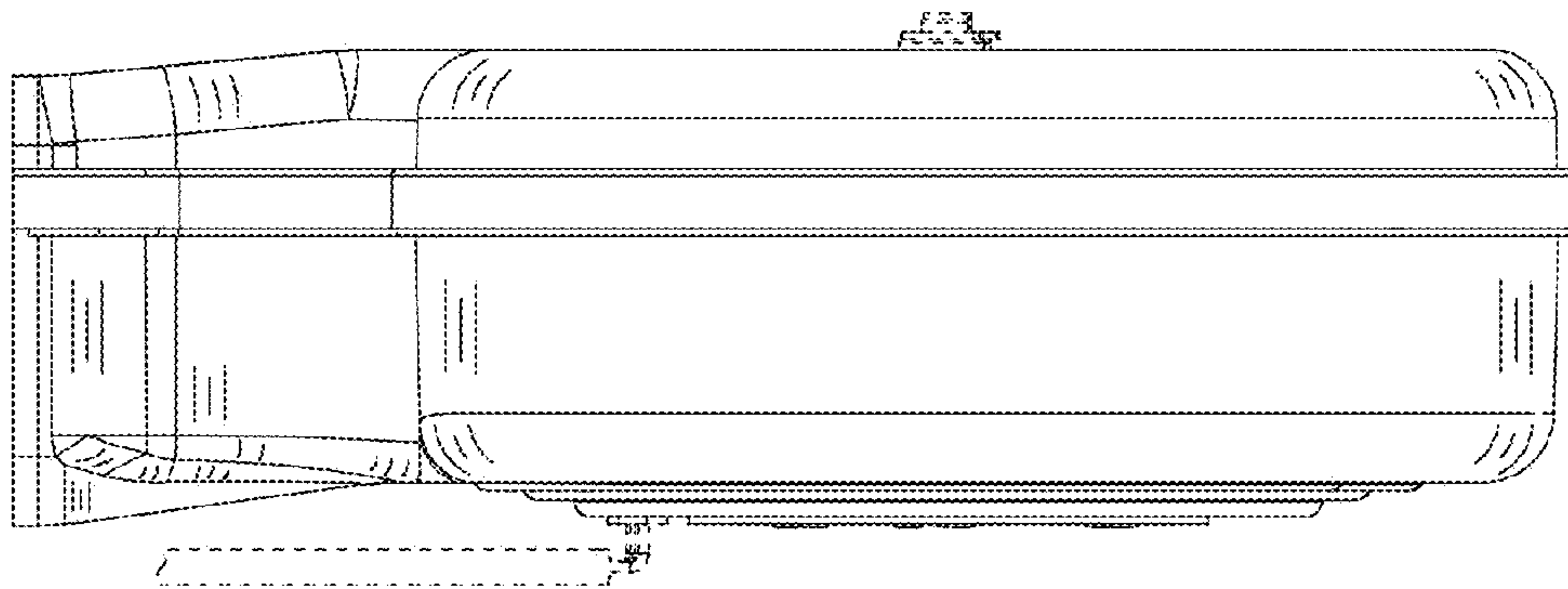


FIG. 3

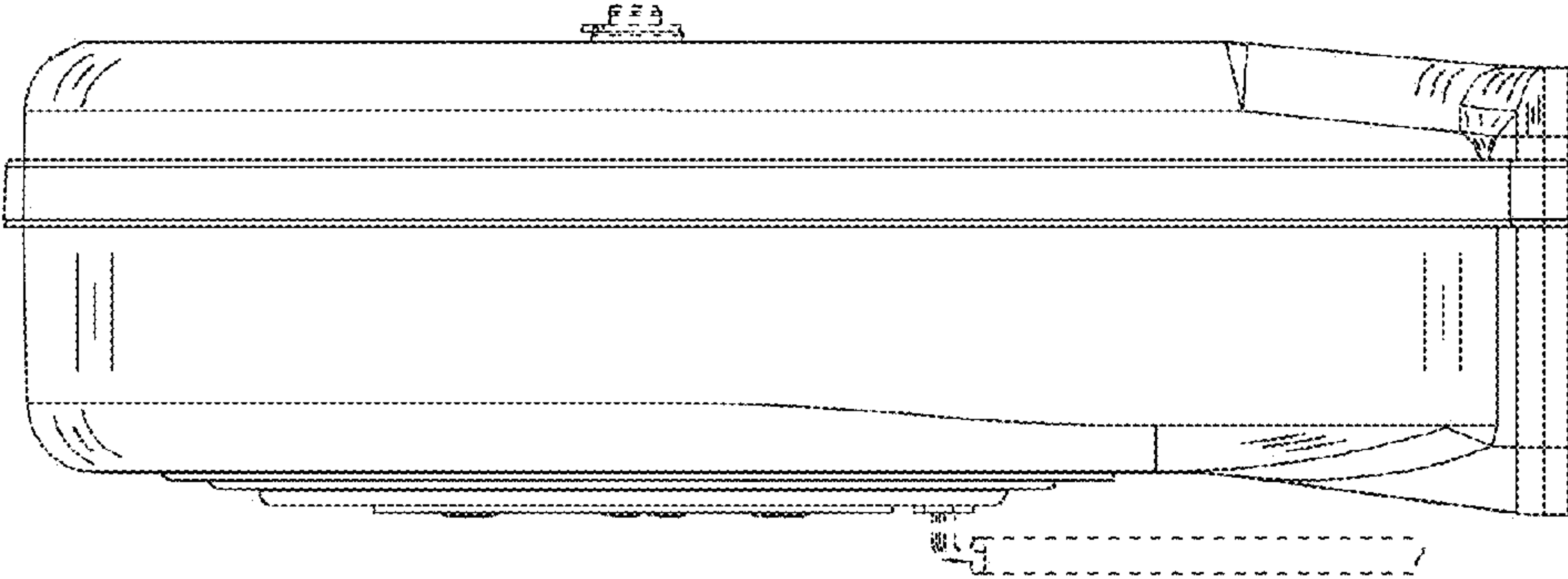


FIG. 4

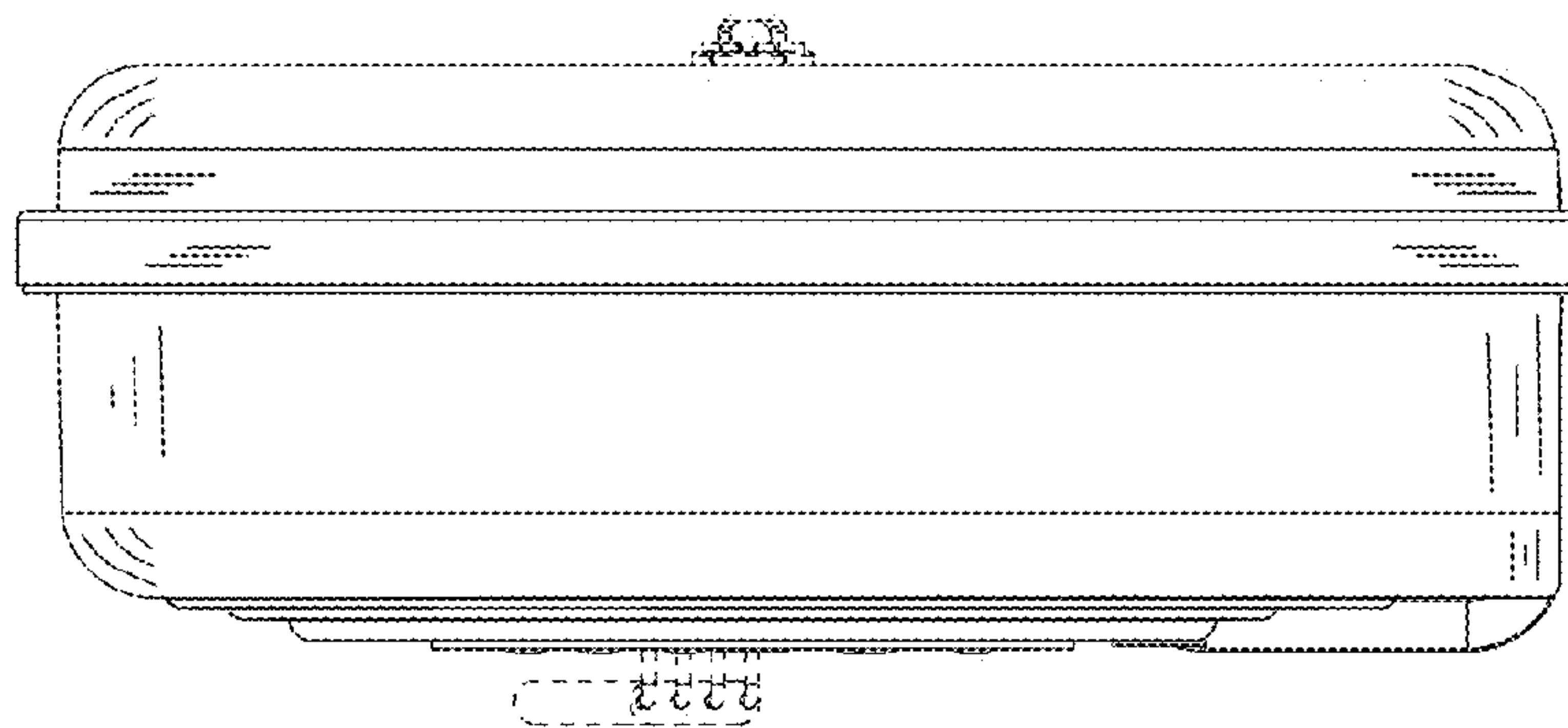


FIG. 5

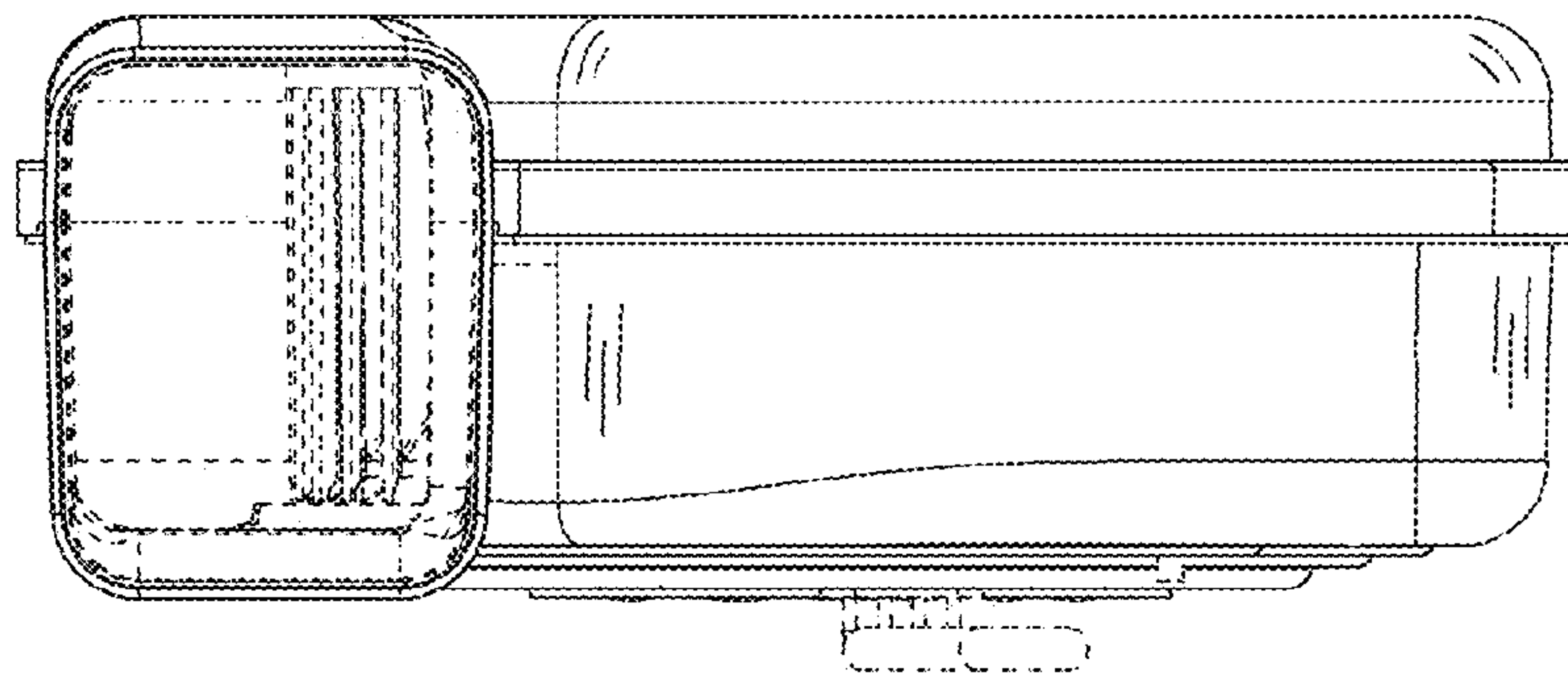


FIG. 6

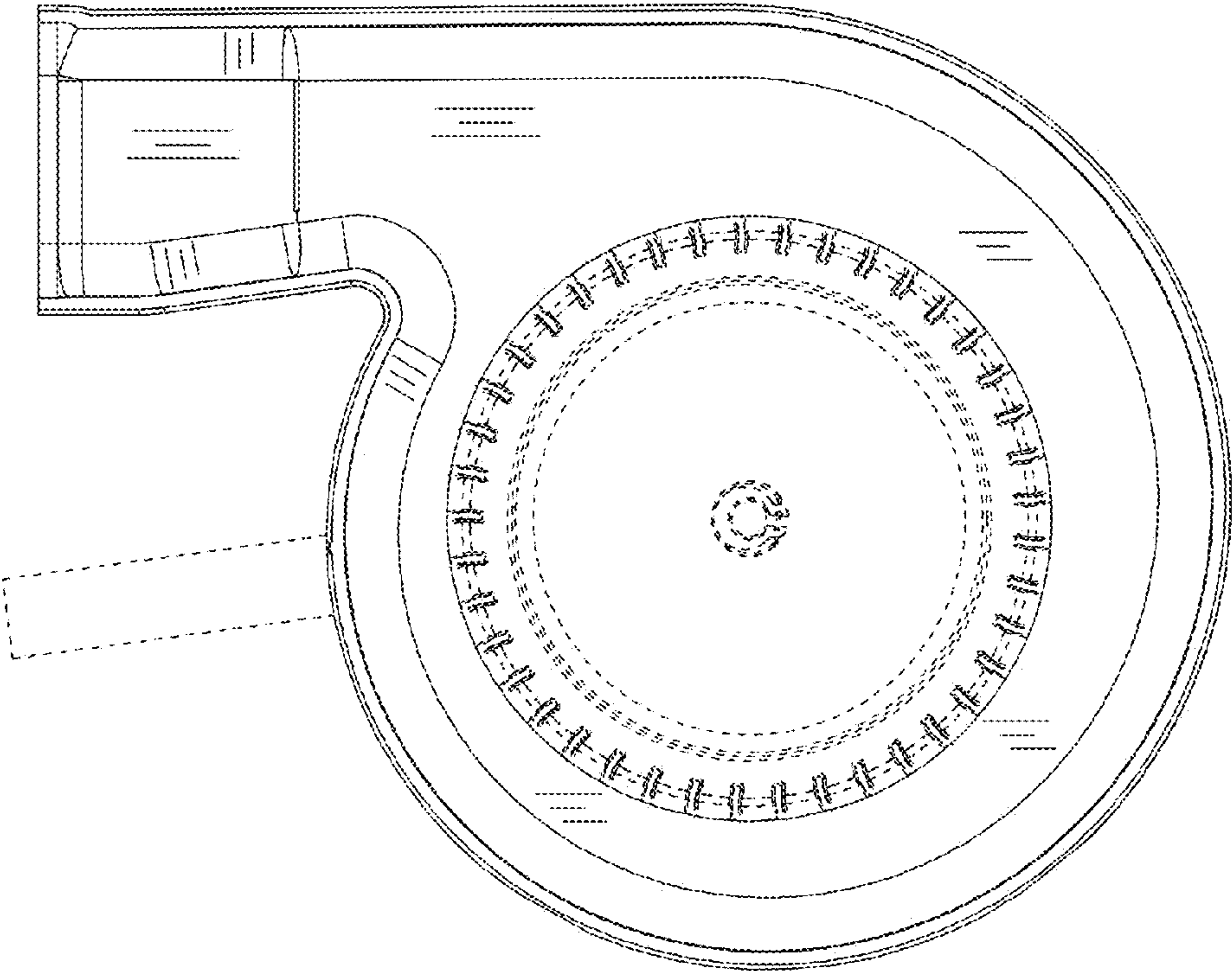


FIG. 7

