



US00D751684S

(12) **United States Design Patent**
Hirschmann et al.

(10) **Patent No.:** **US D751,684 S**
(45) **Date of Patent:** **** Mar. 15, 2016**

- (54) **RECIRCULATING HOOD**
- (71) Applicant: **OY HALTON GROUP LTD.**, Helsinki (FI)
- (72) Inventors: **Christian Hirschmann**, Selangor (MY);
Derek Schrock, Bowling Green, KY (US)
- (73) Assignee: **Oy Halton Group Ltd**, Helsinki (FI)

4,153,044	A *	5/1979	Nett	126/299 D
4,351,652	A *	9/1982	Wisting	96/265
4,376,434	A *	3/1983	Stahl	126/299 D
4,541,409	A *	9/1985	Karst et al.	126/299 D
D298,093	S *	10/1988	Francis	D6/661.3
5,063,906	A *	11/1991	Rogers et al.	126/299 D
5,154,161	A *	10/1992	Rogers et al.	126/299 D
D335,420	S *	5/1993	Moore	D7/347
D349,158	S *	7/1994	Lieblein	D23/371
D352,192	S *	11/1994	Gelinas	D6/675.3
5,577,490	A *	11/1996	Overton, Jr.	126/299 D
D396,277	S *	7/1998	Wallace et al.	D23/371

(**) Term: **14 Years**

(Continued)

- (21) Appl. No.: **29/484,807**
- (22) Filed: **Mar. 13, 2014**
- (51) **LOC (10) Cl.** **23-04**
- (52) **U.S. Cl.**
USPC **D23/372**
- (58) **Field of Classification Search**
USPC D23/370-372, 387, 499; D6/657, 660,
D6/661.3, 672; D7/402; D15/122;
126/299 C, 299 D, 299 R
CPC F24C 15/00; F24C 15/12; F24C 15/20;
F24C 15/2028; F24C 15/2042; F24C 15/36
See application file for complete search history.

OTHER PUBLICATIONS

<https://web.archive.org/web/20140226105154/http://fb101.com/2014/02/national-restaurant-association-celebrates-10-years-of-kitchen-innovations-with-the-announcement-of-the-2014-ki-award-recipients/>.

Primary Examiner — Susan Bennett Hattan
Assistant Examiner — Marie Fast Horse
(74) *Attorney, Agent, or Firm* — Mark Catan; Potomac Law Group PLLC

(57) **CLAIM**
The ornamental design for a recirculating hood, as shown and described.

(56) **References Cited**

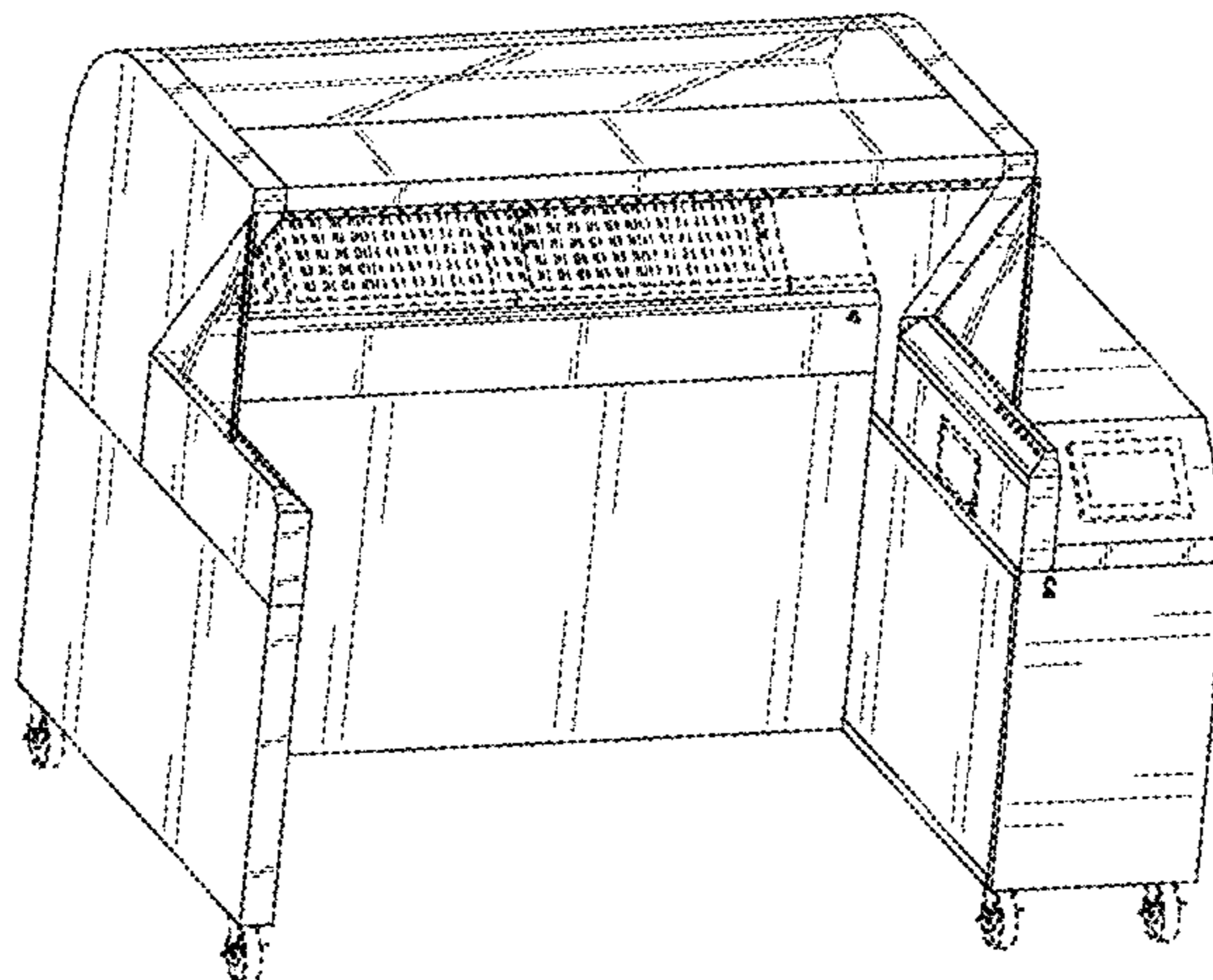
DESCRIPTION

U.S. PATENT DOCUMENTS

D91,966	S *	4/1934	Sawin	D6/438
D113,051	S *	1/1939	Sonntag	D23/372
D119,509	S *	3/1940	Waddell	D6/472
D122,133	S *	8/1940	Bedol	D23/387
2,462,537	A *	2/1949	Mykiatiuk	126/299 R
D156,558	S *	12/1949	Pledger	D23/372
D156,922	S *	1/1950	Sonntag	D23/372
2,564,087	A *	8/1951	Warren	126/299 R
3,176,605	A *	4/1965	Jenson	126/299 D
3,217,629	A *	11/1965	Ekern	126/299 D
3,814,078	A *	6/1974	Etzcorn	126/299 C
D237,971	S *	12/1975	Chiang	D23/372

FIG. 1 is a front isometric view of the recirculating hood, showing the new design;
FIG. 2 is a front elevation view thereof;
FIG. 3 is a rear elevation view thereof;
FIG. 4 is a side elevation view thereof;
FIG. 5 is another side elevation view thereof;
FIG. 6 is a top plan view thereof; and,
FIG. 7 is a bottom plan view thereof.
The broken lines in the drawings depict parts of the recirculating hood that form no part of the claimed design.

1 Claim, 7 Drawing Sheets



US D751,684 S

Page 2

(56)

References Cited

U.S. PATENT DOCUMENTS

D403,332 S * 12/1998 Allen D15/31
D541,827 S * 5/2007 Resch D15/83
8,833,360 B2 * 9/2014 Knight 126/21 A
D718,979 S * 12/2014 Faller et al. D7/402

D719,782 S * 12/2014 Vangelder D7/402
D729,290 S * 5/2015 Yamada et al. D15/122
2009/0071462 A1 * 3/2009 Liu 126/25 R
2010/0003387 A1 * 1/2010 Knight 426/523
2010/0051010 A1 * 3/2010 Colburn et al. 126/299 D
2011/0094497 A1 * 4/2011 Schrock et al. 126/299 D

* cited by examiner

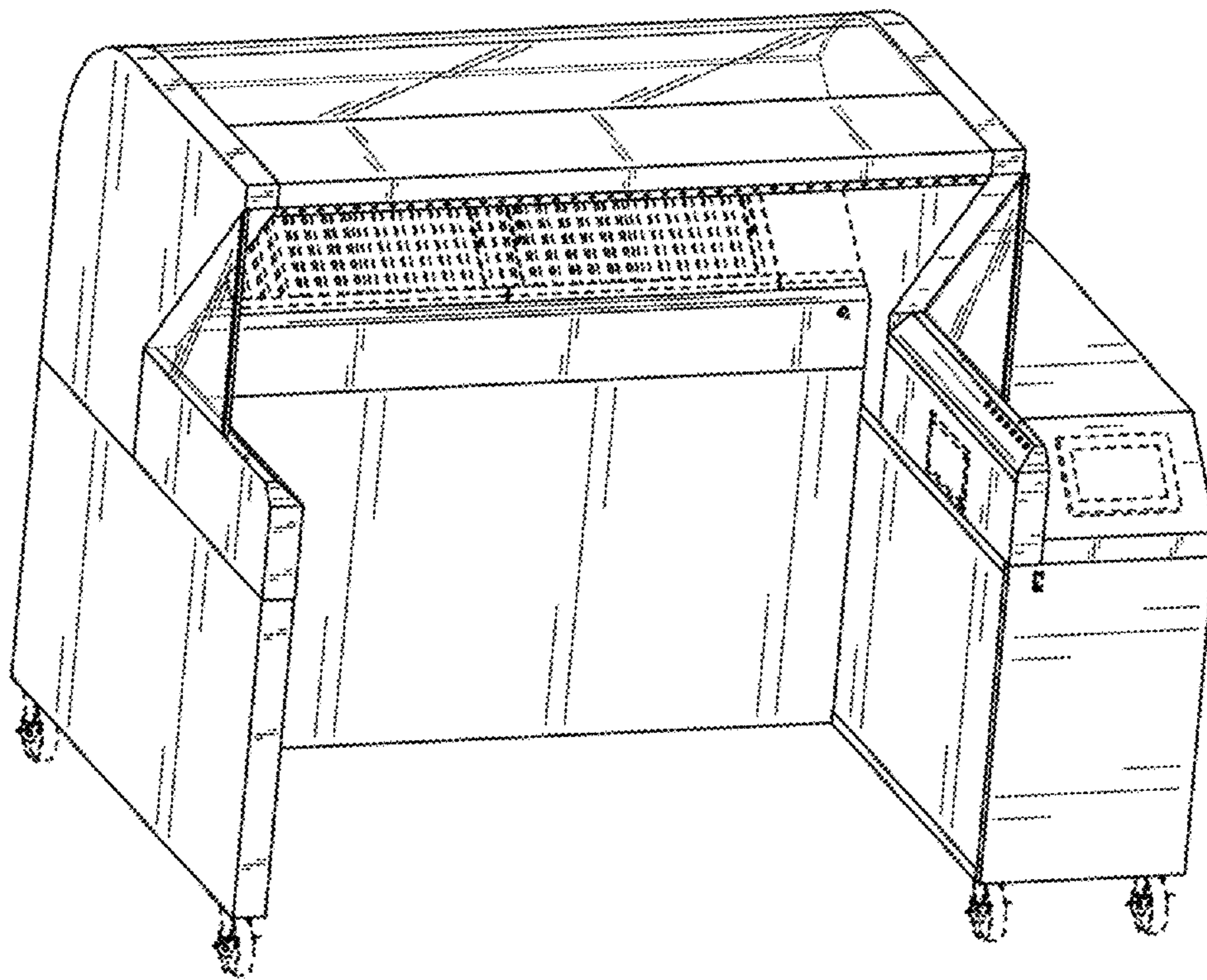


FIG. 1

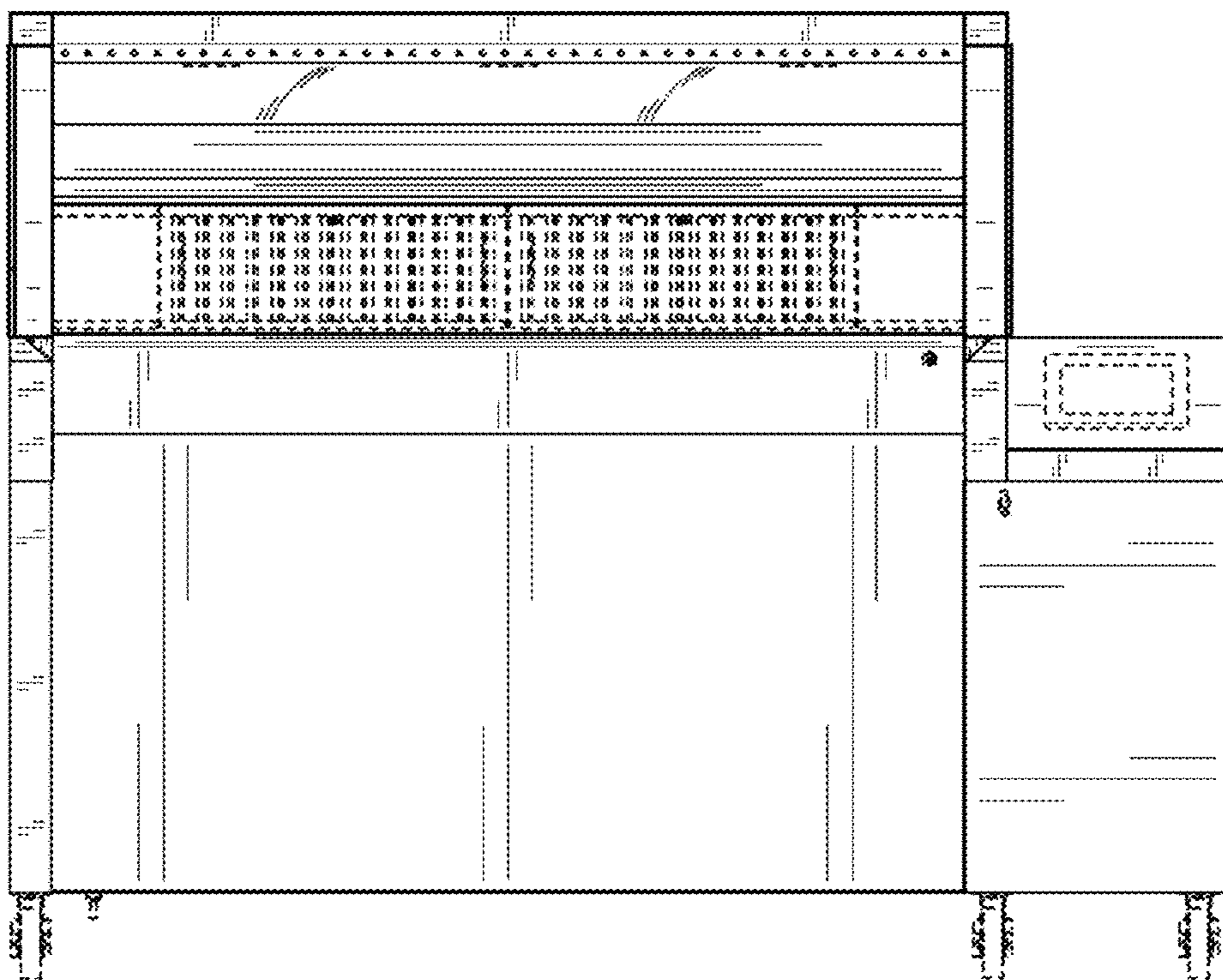


FIG. 2

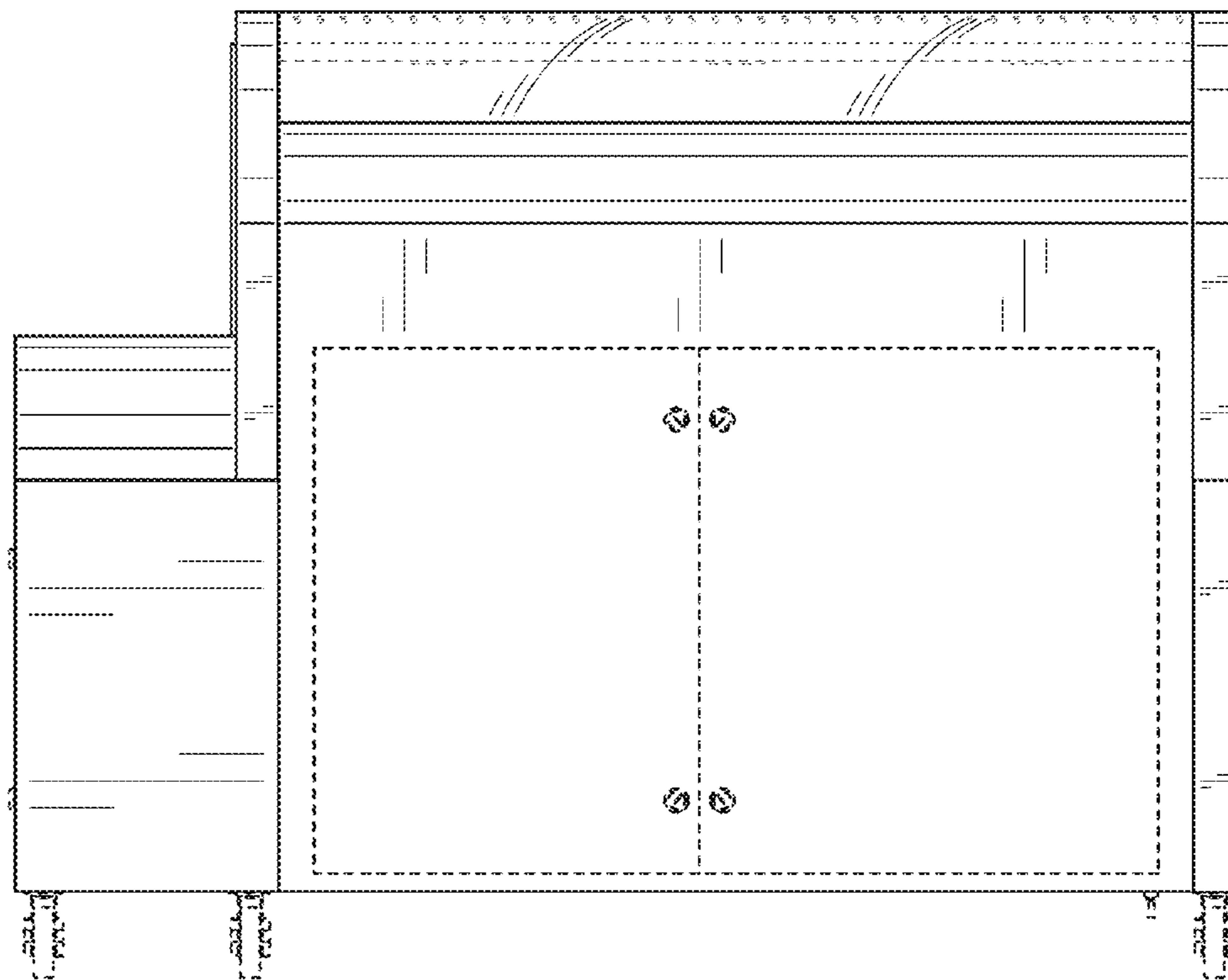


FIG. 3

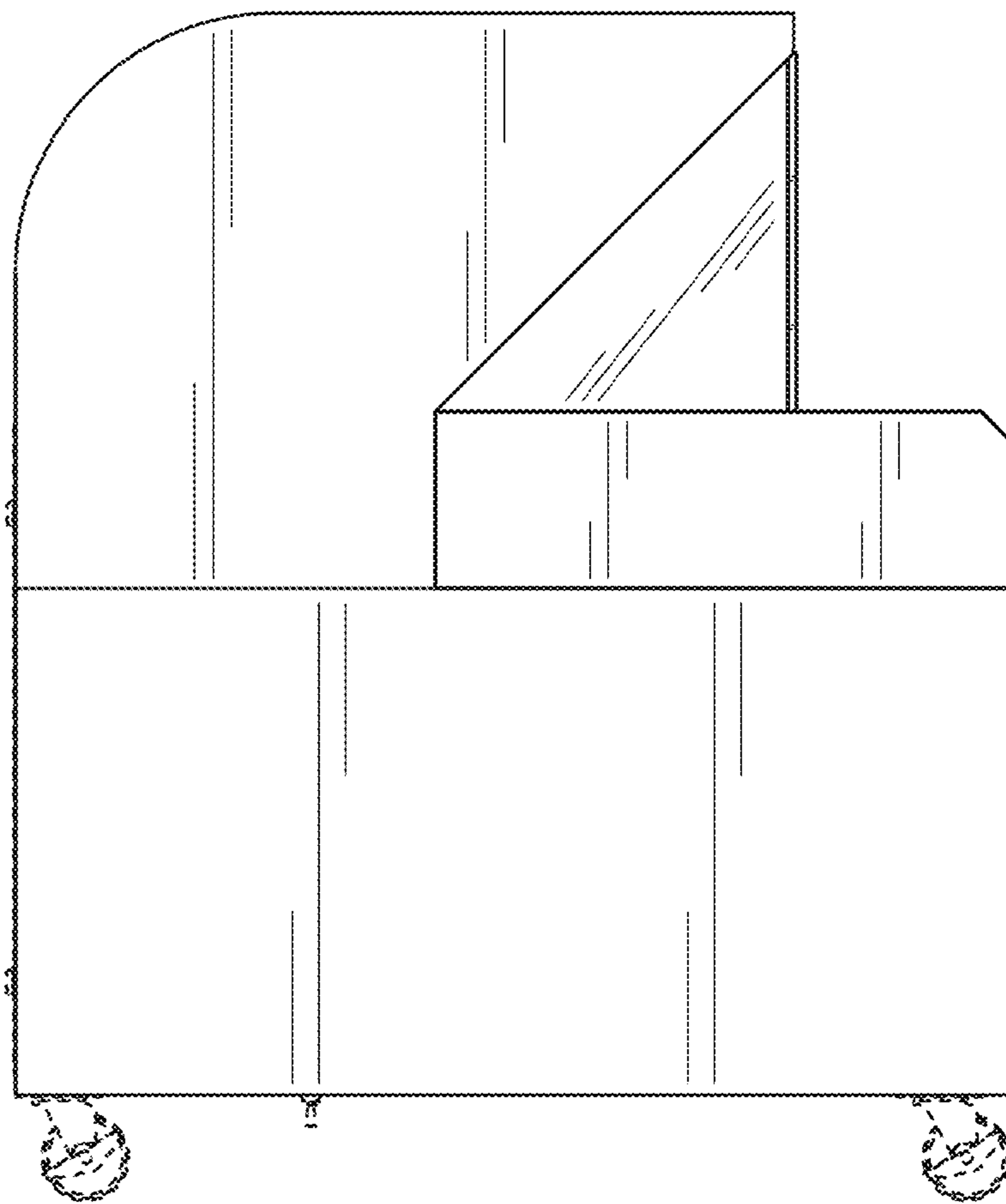


FIG. 4

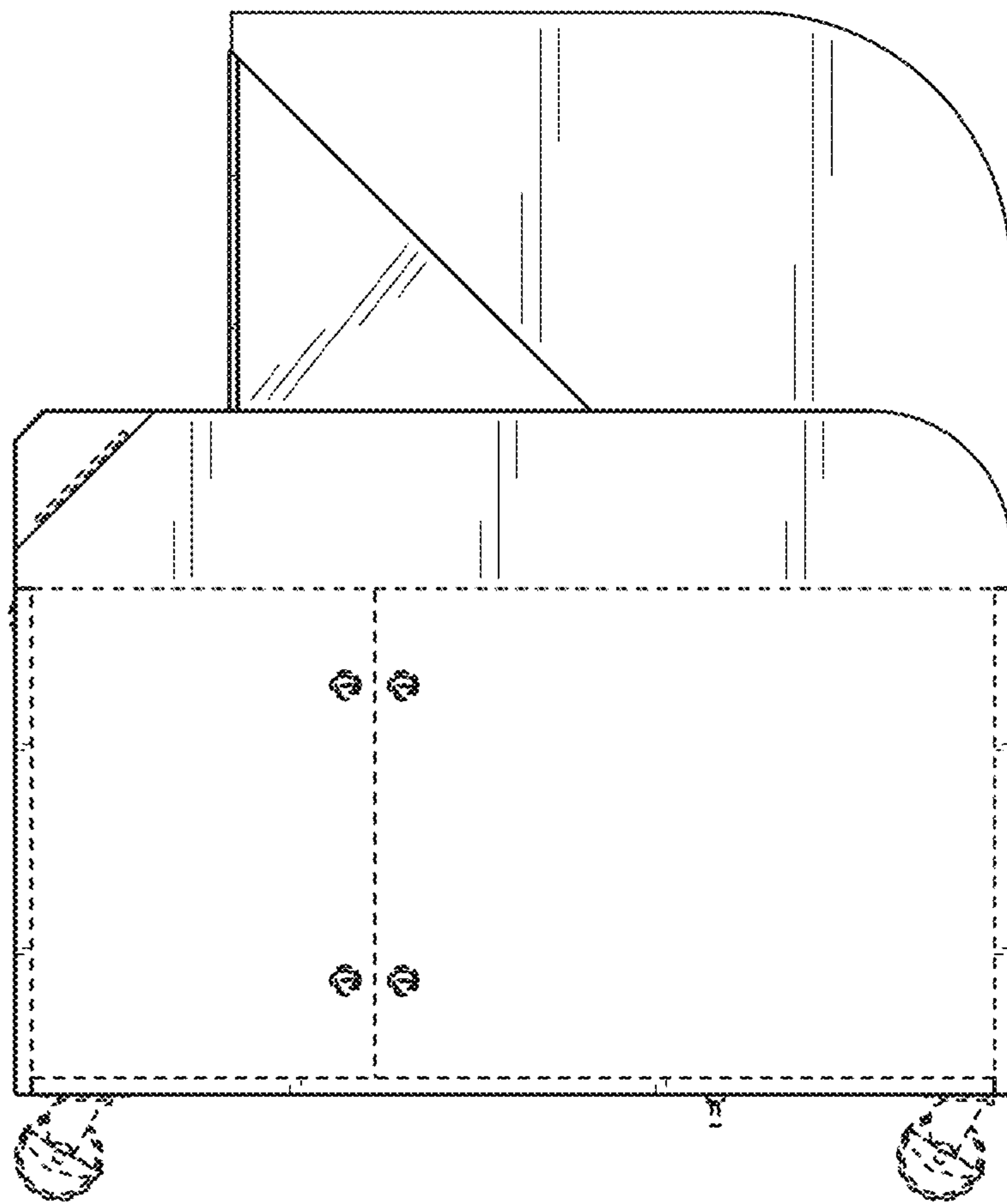


FIG. 5

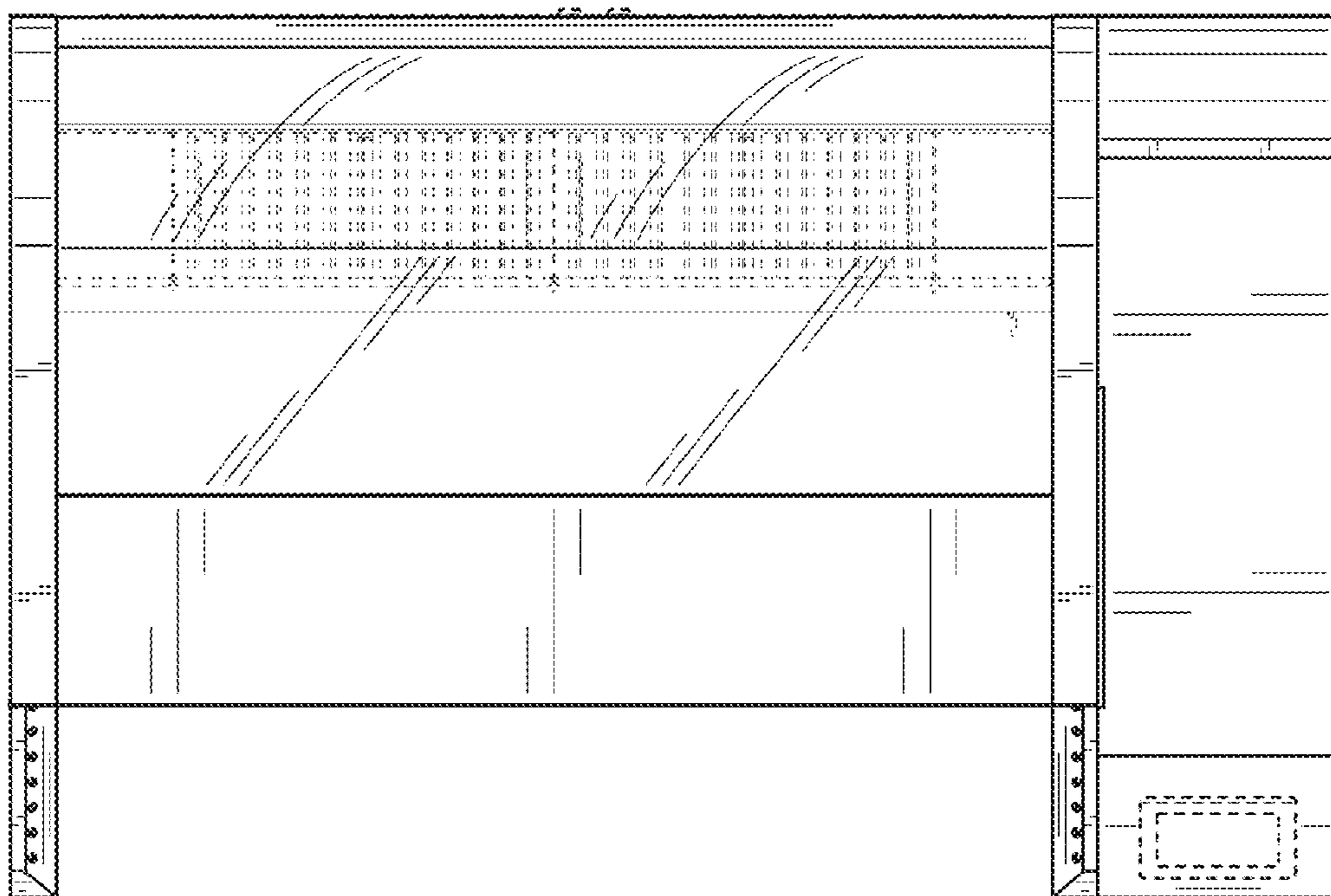


FIG. 6

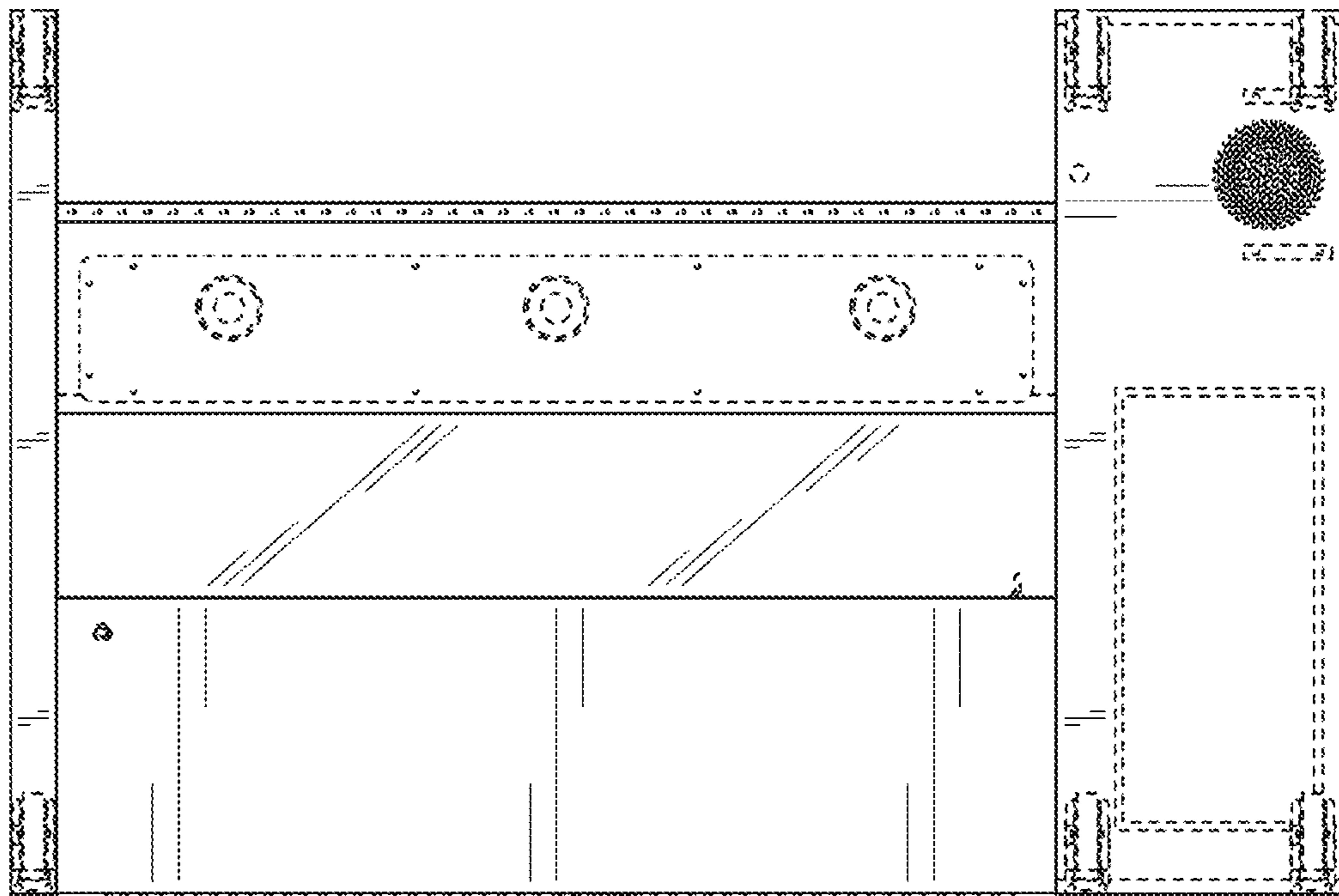


FIG. 7