



US00D751682S

(12) **United States Design Patent**
Nechita et al.

(10) **Patent No.:** **US D751,682 S**
(45) **Date of Patent:** **** Mar. 15, 2016**

(54) **DIFFUSER**

(71) Applicants: **Viorica Nechita**, Beverly Hills, CA
(US); **Niki Miluta Nechita**, Beverly
Hills, CA (US)

(72) Inventors: **Viorica Nechita**, Beverly Hills, CA
(US); **Niki Miluta Nechita**, Beverly
Hills, CA (US)

(**) Term: **14 Years**

(21) Appl. No.: **29/501,202**

(22) Filed: **Sep. 2, 2014**

(51) **LOC (10) Cl.** **28-99**

(52) **U.S. Cl.**
USPC **D23/366**

(58) **Field of Classification Search**
USPC D23/355-369; D28/5, 6; 261/DIG. 17,
261/DIG. 42, DIG. 47, DIG. 55, DIG. 65,
261/DIG. 70, DIG. 88, DIG. 89; 392/386,
392/394, 395; 239/34, 44, 53; D7/615, 630
CPC A61L 9/02; A61L 9/037; A61L 9/03;
A61L 9/04; A61L 9/12; A61L 9/127; A61L
9/22

See application file for complete search history.

(56) **References Cited**

U.S. PATENT DOCUMENTS

D288,842	S	*	3/1987	Kwiatkowski	D23/366
D392,032	S	*	3/1998	Zaragoza	D23/366
D454,190	S	*	3/2002	Trocola	D23/366
6,419,122	B1	*	7/2002	Chown	A01M 1/2044 222/162
D509,893	S	*	9/2005	Sevy	D23/366
D544,084	S	*	6/2007	Michaels	D23/366
D599,899	S	*	9/2009	Thompson	D23/366
D622,835	S	*	8/2010	Mendheim	D23/364
D663,399	S	*	7/2012	Browder	D23/366
2014/0158790	A1	*	6/2014	Gordon	A01M 1/2044 239/44

* cited by examiner

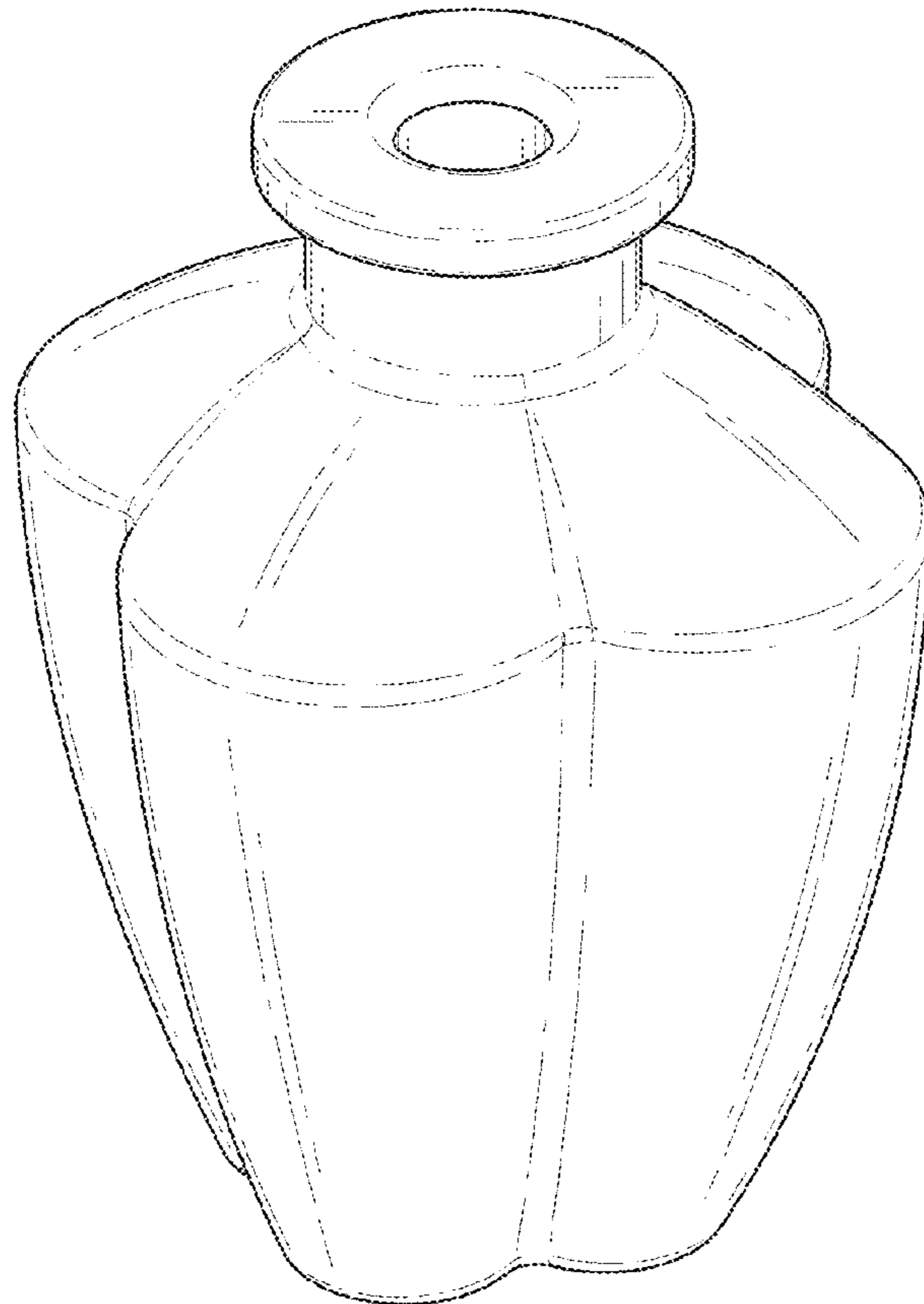
Primary Examiner — Sandra Snapp
(74) *Attorney, Agent, or Firm* — One LLP

(57) **CLAIM**
The ornamental design for a diffuser, as shown and described.

DESCRIPTION

FIG. 1 is a perspective view of the diffuser;
FIG. 2 is a front elevation view thereof;
FIG. 3 is a top plan view thereof; and,
FIG. 4 is a bottom plan view thereof.

1 Claim, 2 Drawing Sheets



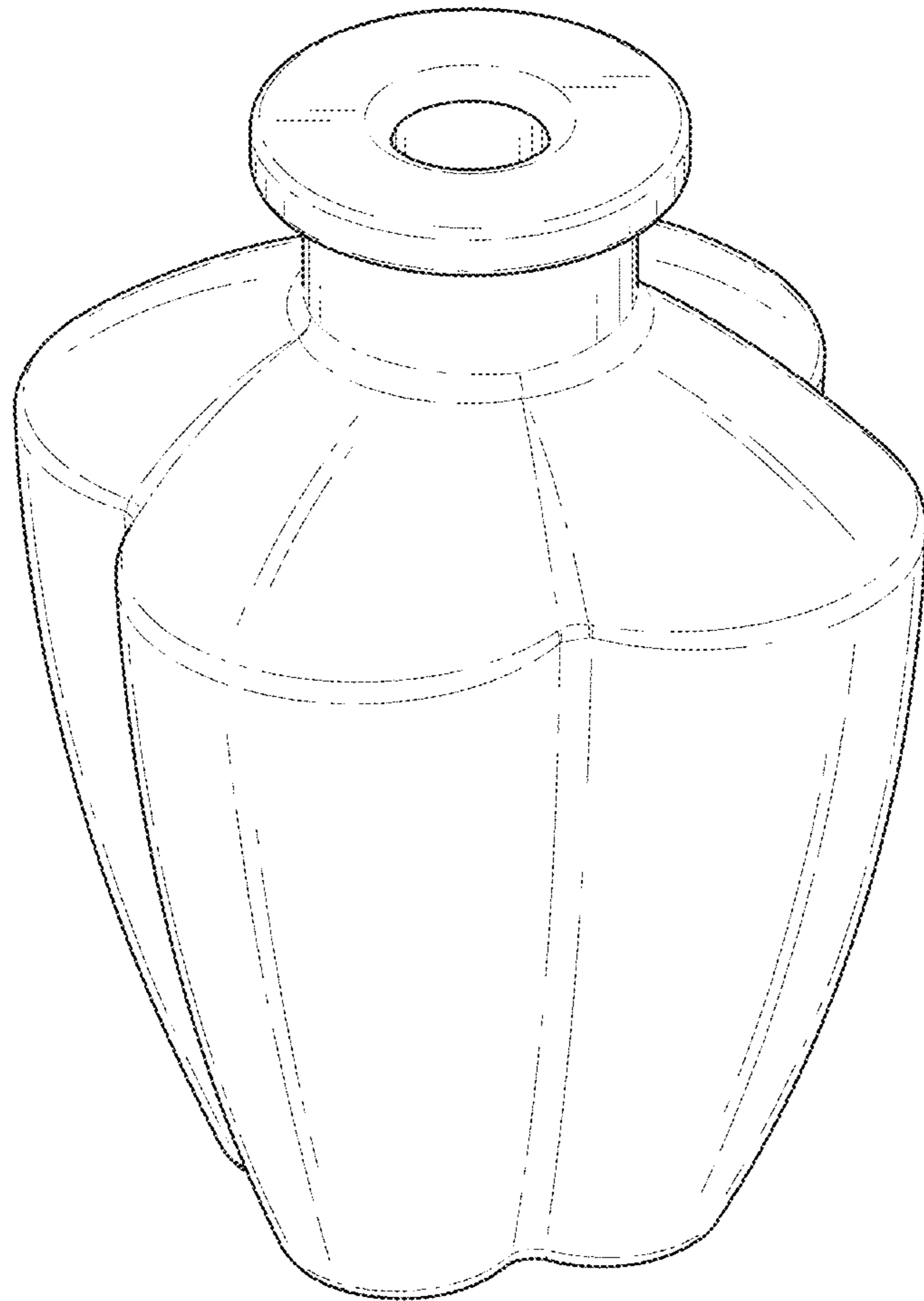


FIG. 1

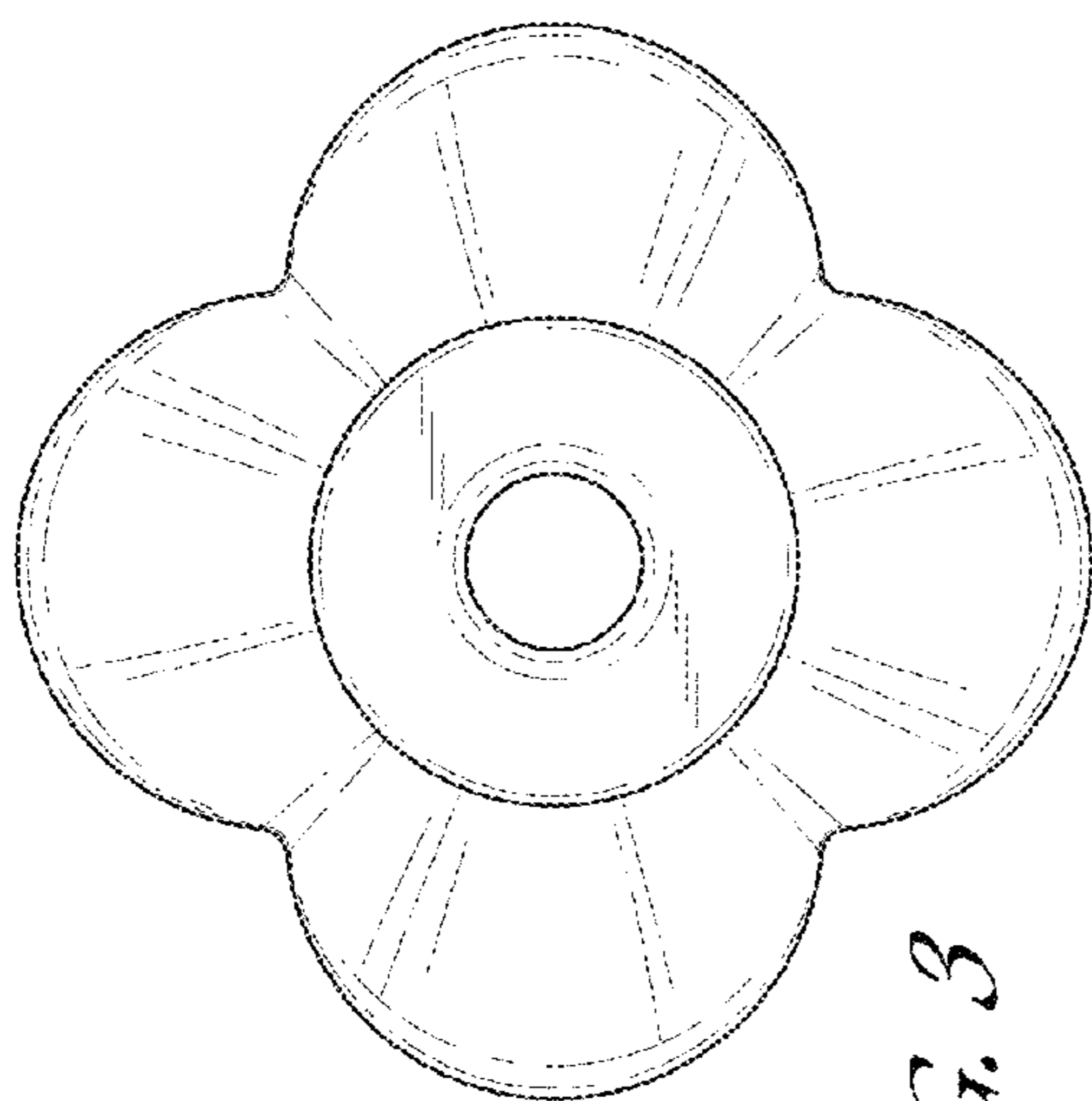


FIG. 3

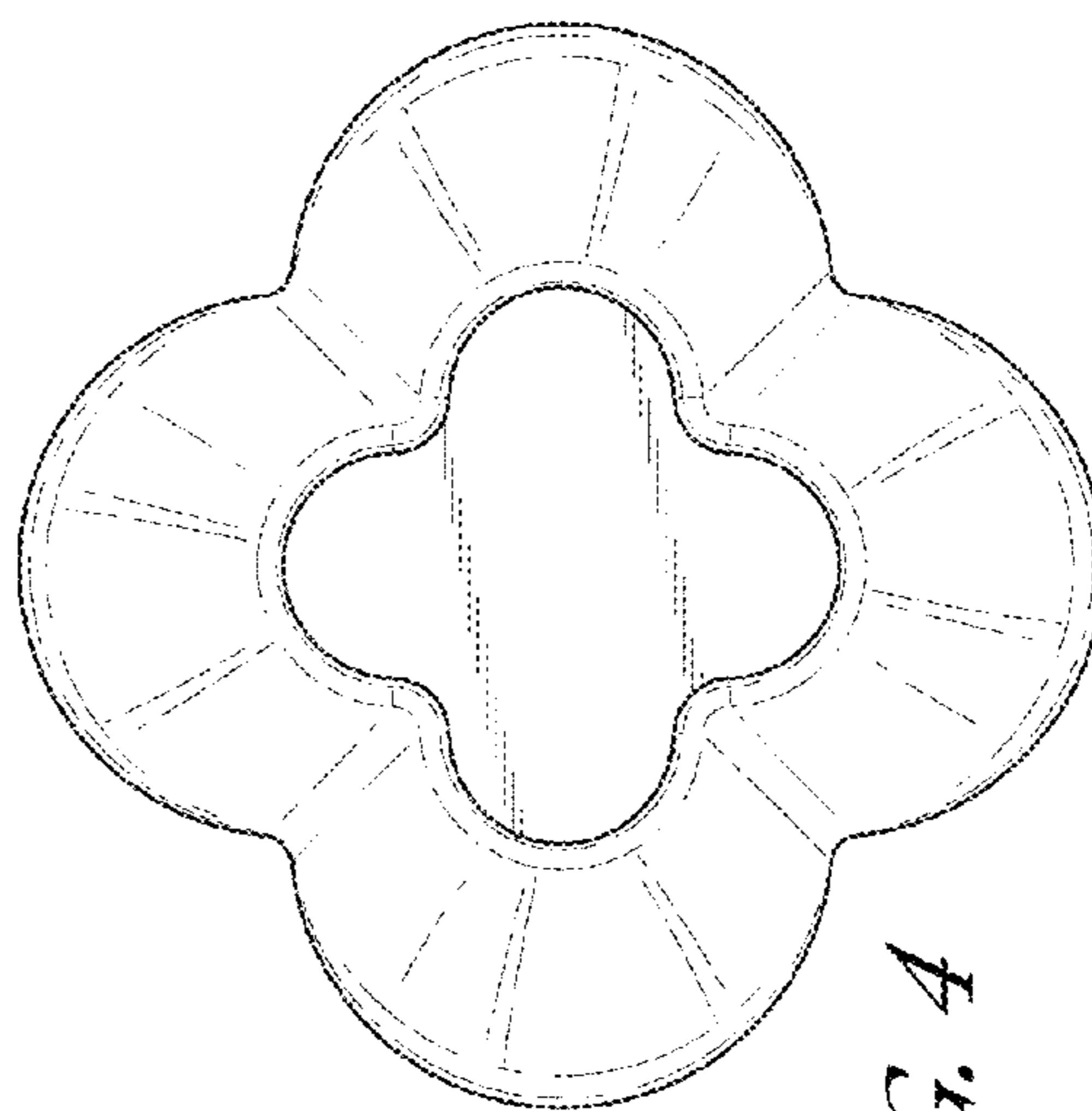


FIG. 4

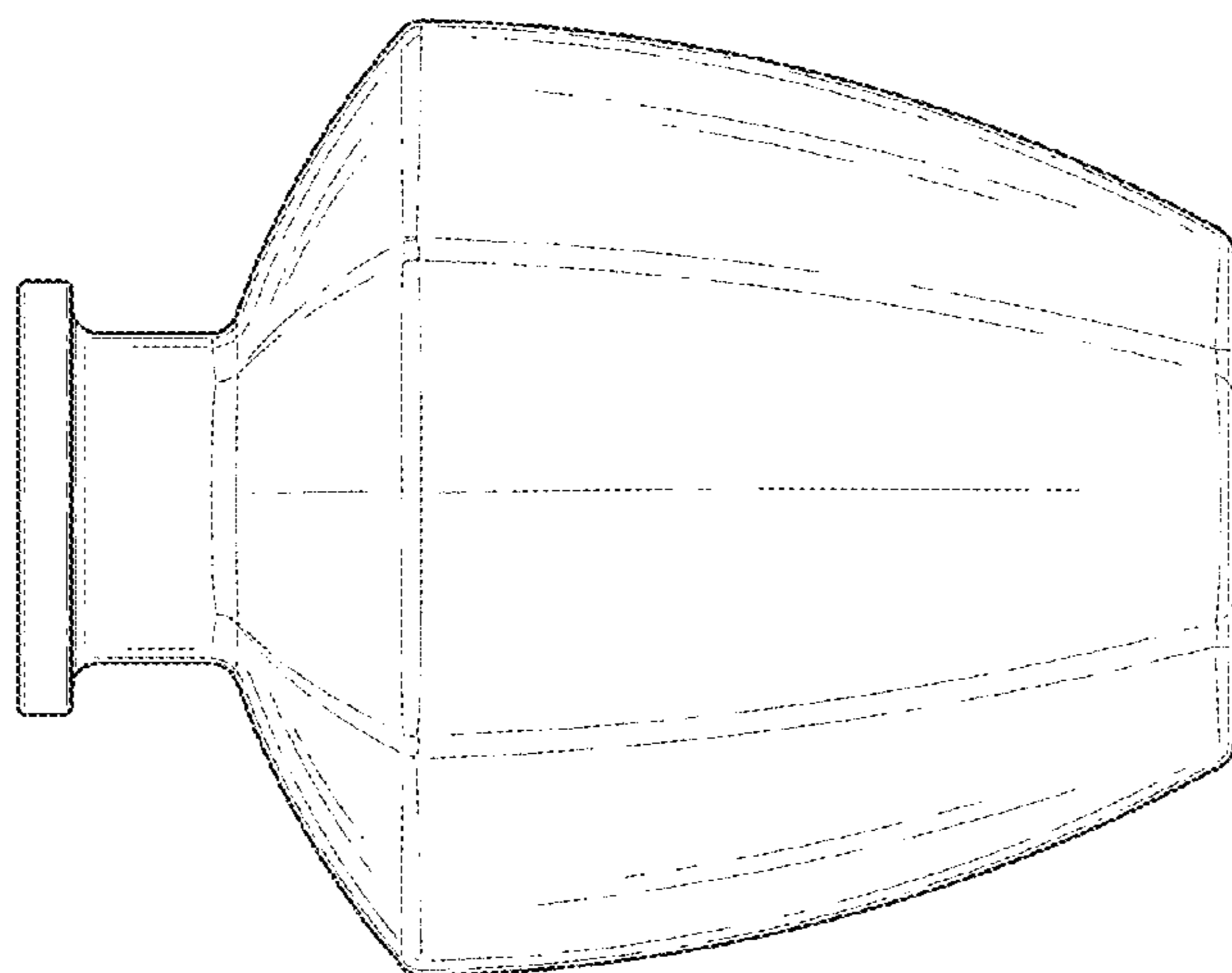


FIG. 2