



US00D751678S

(12) **United States Design Patent**  
**Davis**

(10) **Patent No.:** **US D751,678 S**  
(45) **Date of Patent:** **\*\* Mar. 15, 2016**

- (54) **BASSINET TUB**
- (71) Applicant: **Bradford L. Davis**, Holland, MI (US)
- (72) Inventor: **Bradford L. Davis**, Holland, MI (US)
- (\*\*) Term: **14 Years**
- (21) Appl. No.: **29/506,350**
- (22) Filed: **Oct. 15, 2014**
- (51) **LOC (10) Cl.** ..... **23-02**
- (52) **U.S. Cl.**  
USPC ..... **D23/278**
- (58) **Field of Classification Search**  
USPC ..... D23/278, 277, 303-304; D6/390  
CPC ..... A47K 3/024; A47K 3/034; A47K 3/074  
See application file for complete search history.

6,964,071 B1 \* 11/2005 Lahmann ..... A47D 9/00  
5/2.1  
D592,289 S 5/2009 Williams et al.  
D697,182 S \* 1/2014 Lutz ..... D23/277

\* cited by examiner

*Primary Examiner* — Robert Delehanty  
(74) *Attorney, Agent, or Firm* — Warner Norcross & Judd  
LLP

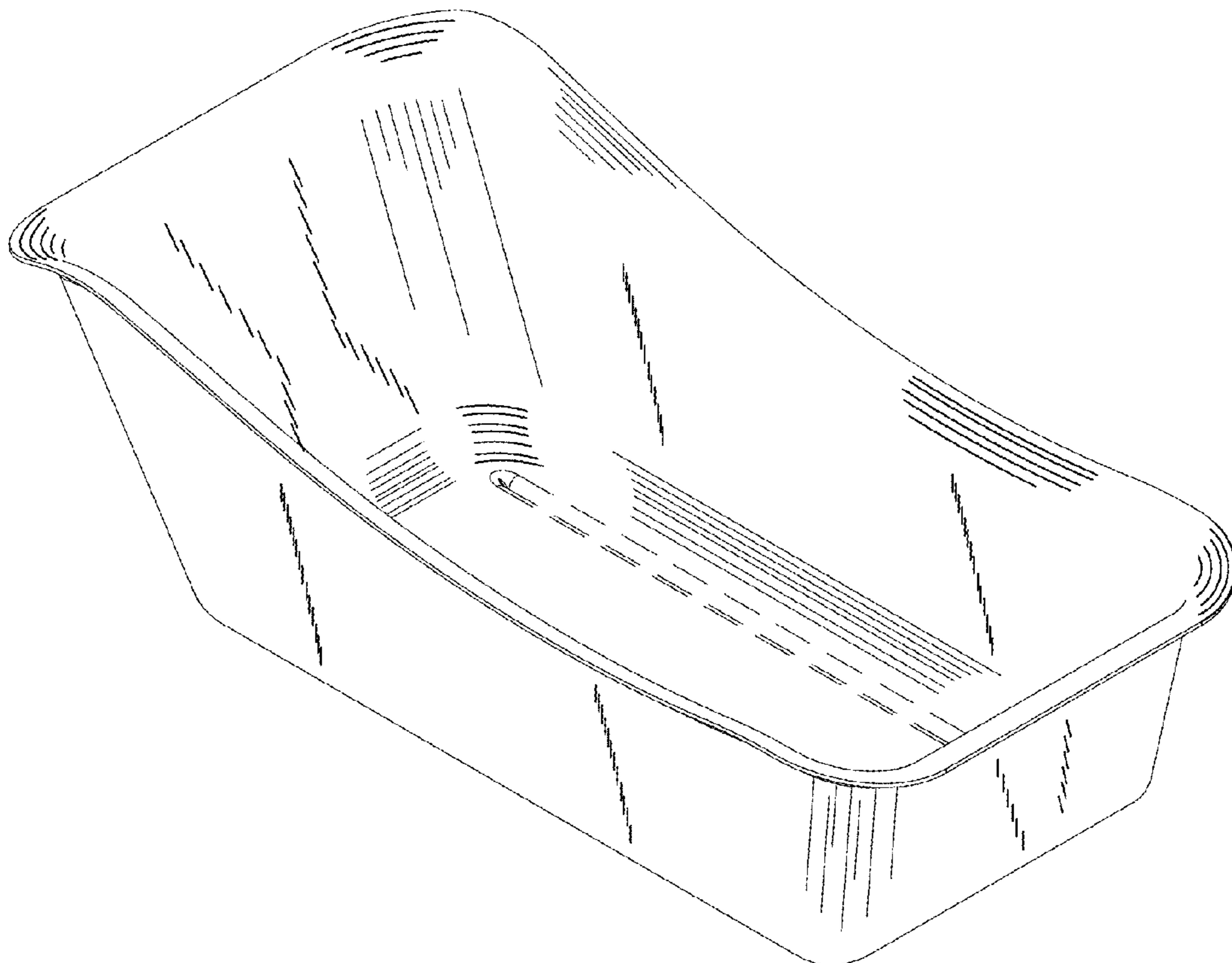
(57) **CLAIM**  
The ornamental design for a bassinet tub, as shown and  
described.

**DESCRIPTION**

FIG. 1 is a perspective view of the bassinet tub embodying my  
new design;  
FIG. 2 is a left side view thereof, the right side view being a  
mirror image thereof;  
FIG. 3 is a top plan view thereof;  
FIG. 4 is a bottom plan view thereof;  
FIG. 5 is a front view thereof; and,  
FIG. 6 is a rear view thereof.  
FIGS. 1-6 show portions of the bassinet tub in broken lines.  
The broken lines are shown for environmental purposes and  
form no part of the claimed design.

- (56) **References Cited**  
U.S. PATENT DOCUMENTS  
D299,741 S \* 2/1989 Thom ..... D23/278  
D305,063 S 12/1989 Jacuzzi et al.  
D350,598 S 9/1994 Wise et al.  
D365,144 S 12/1995 Gruber et al.  
D400,655 S \* 11/1998 Thompson ..... D23/278  
D451,986 S 12/2001 Marshall et al.  
D482,763 S 11/2003 Thomas

**1 Claim, 6 Drawing Sheets**



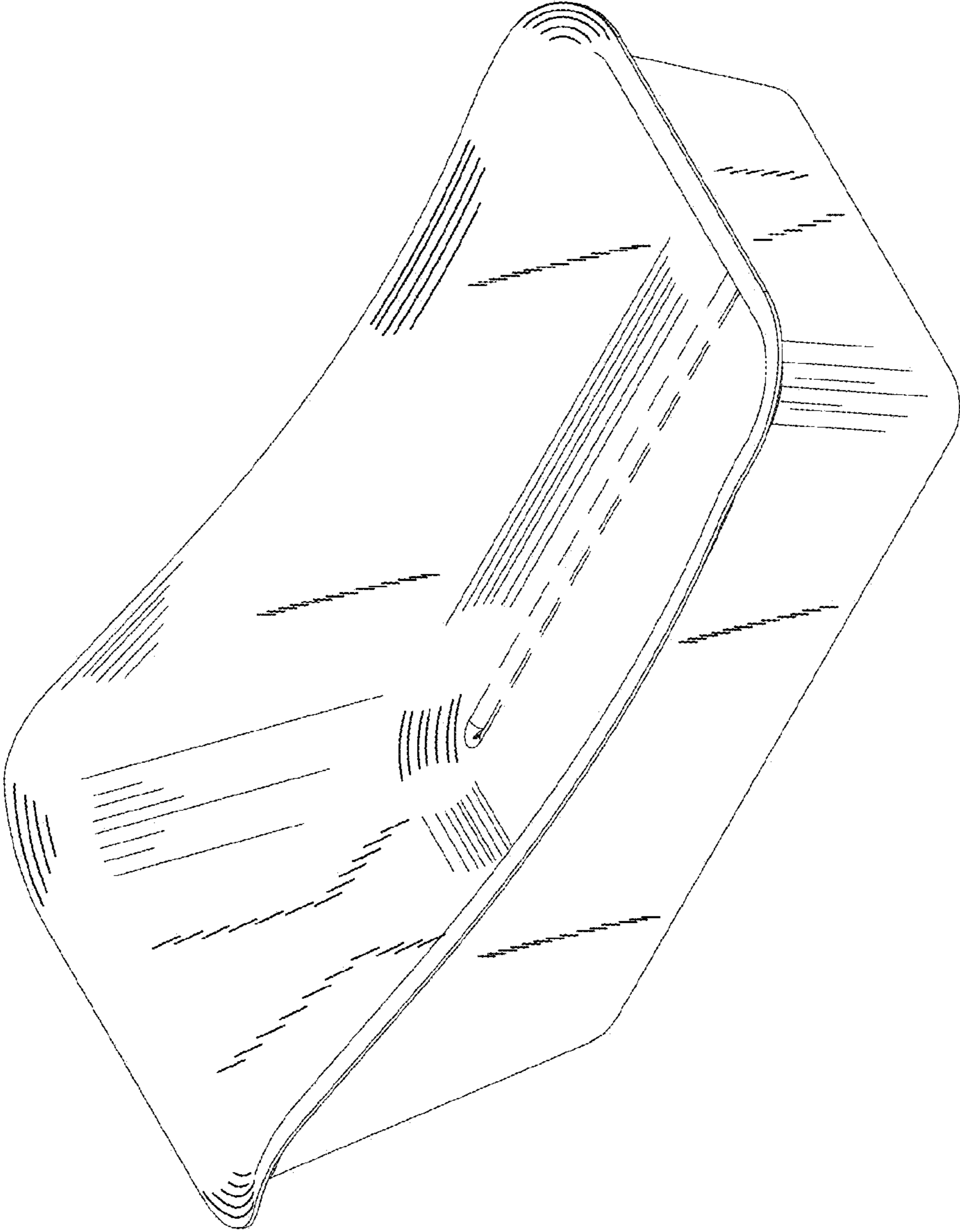


Fig. 1

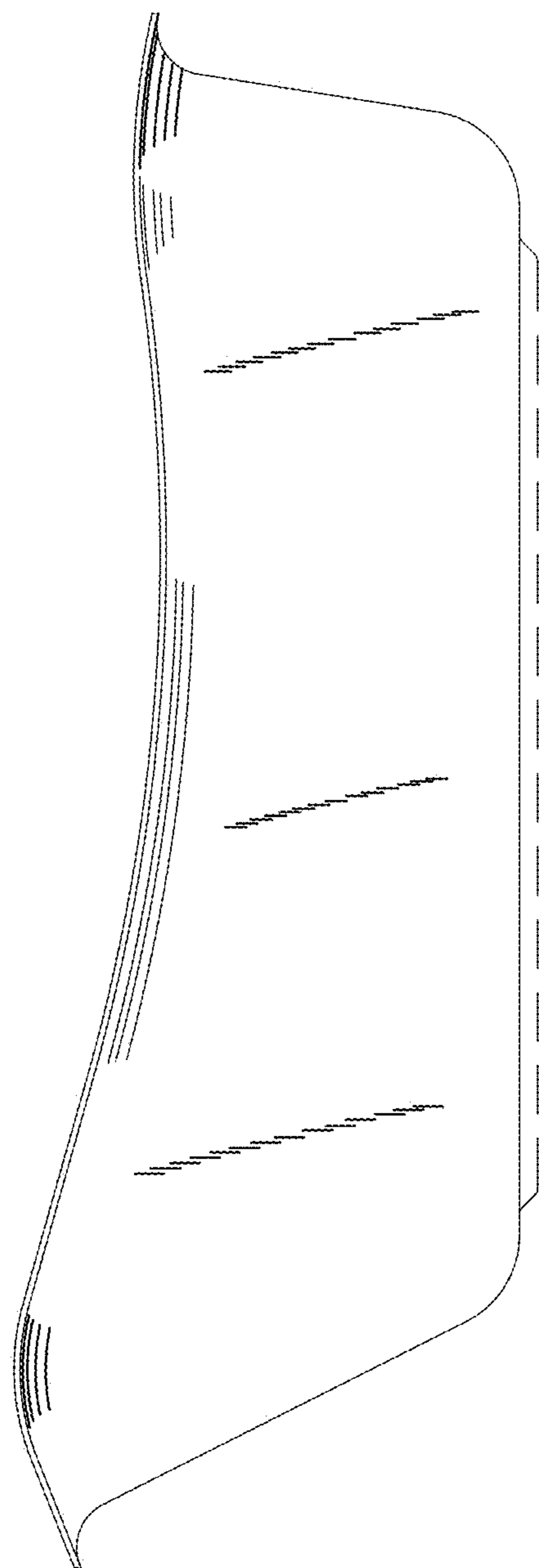


FIG. 2

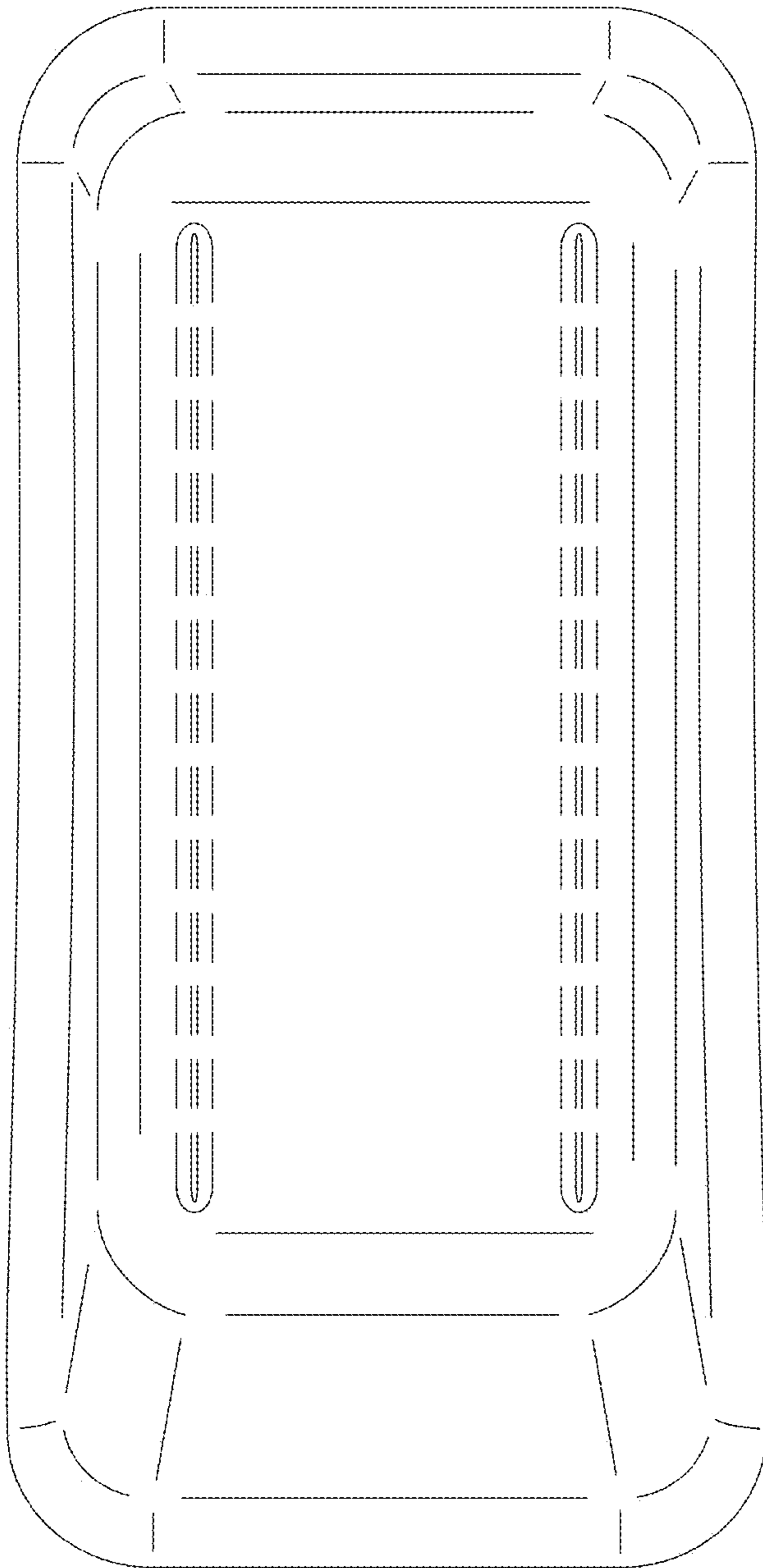


FIG. 3

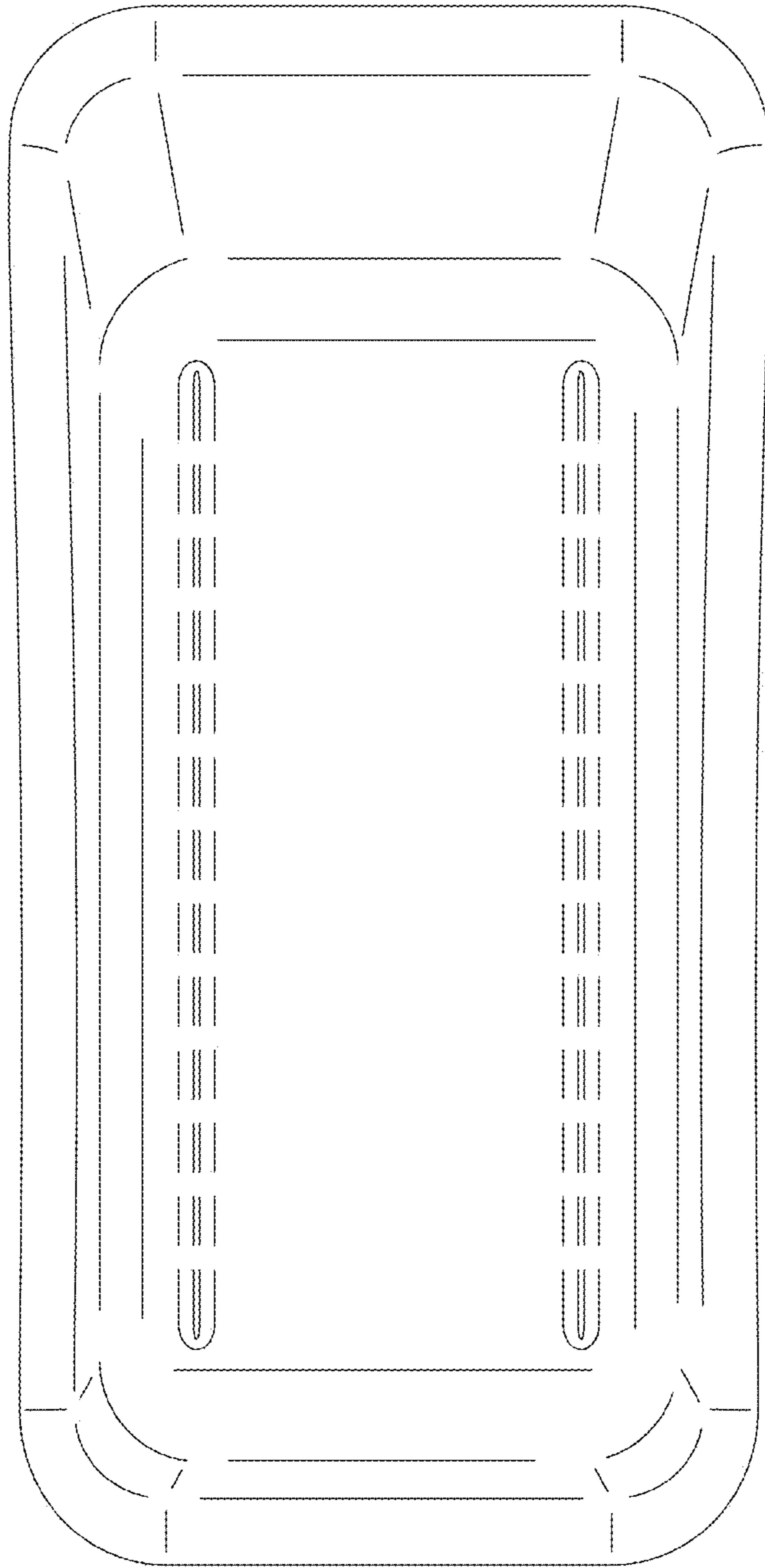


Fig. 4

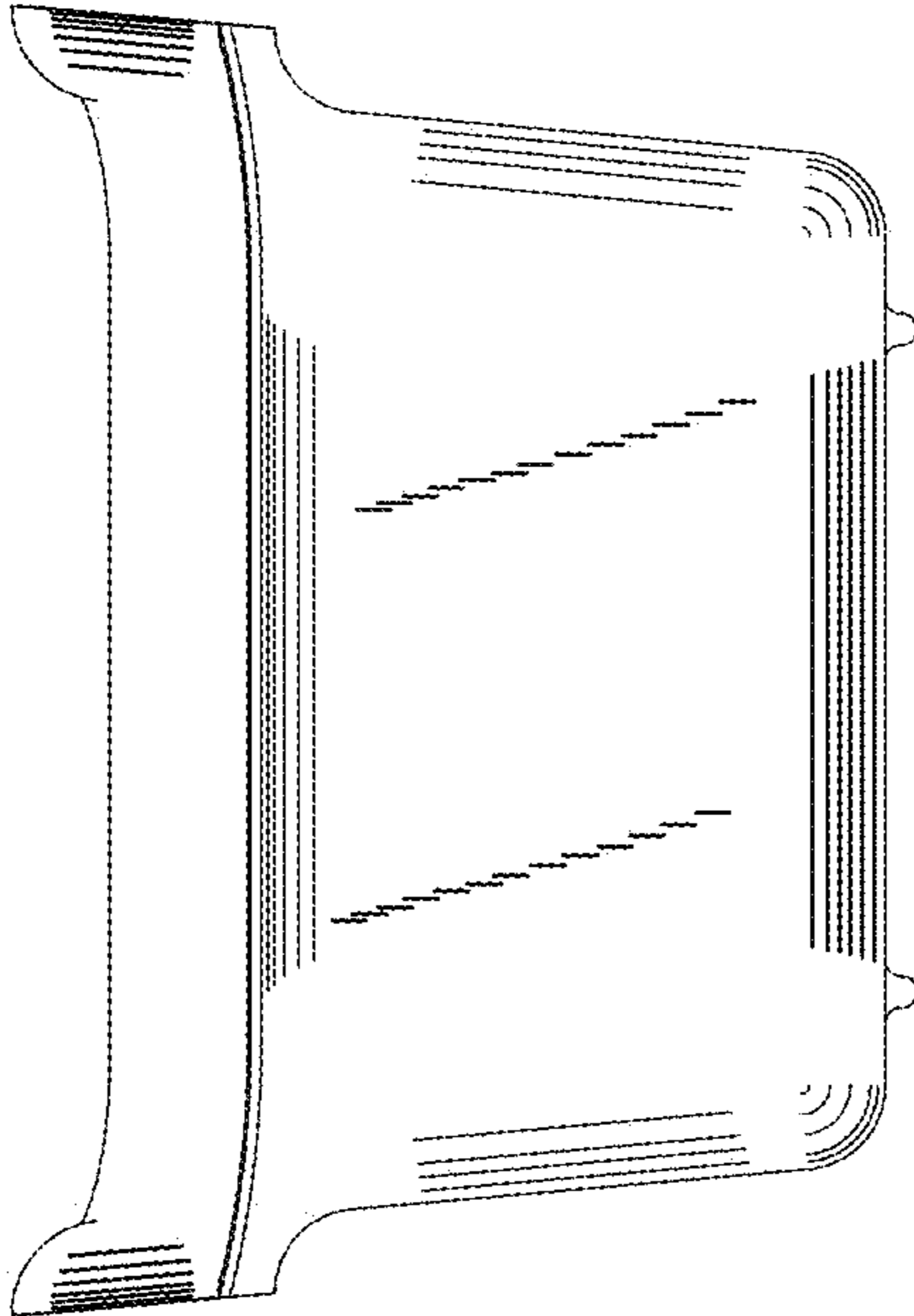


FIG. 5

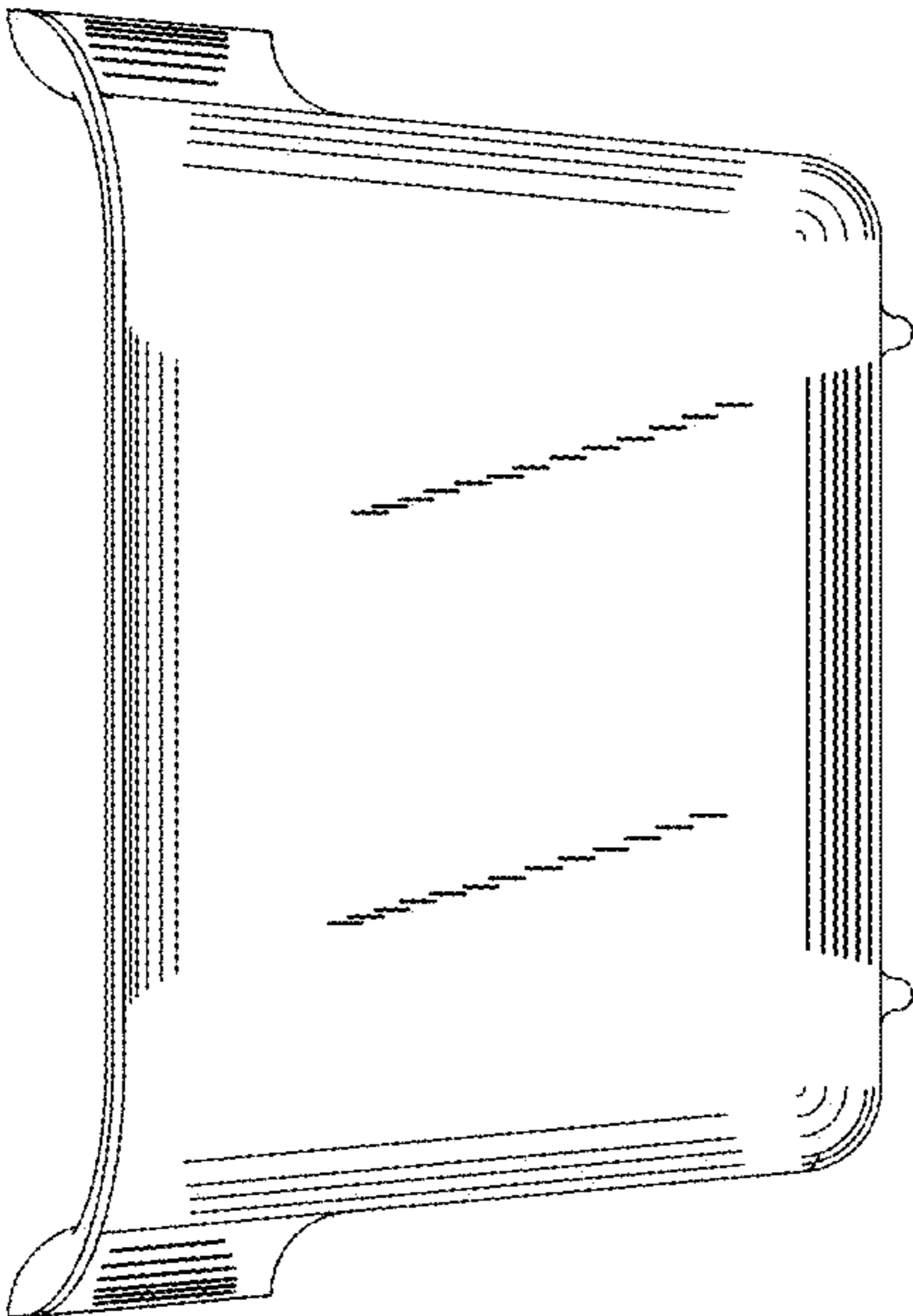


FIG. 6