



US00D751677S

(12) **United States Design Patent**  
**Drury et al.**

(10) **Patent No.:** **US D751,677 S**  
(45) **Date of Patent:** **\*\* Mar. 15, 2016**

(54) **JET BODY FOR USE WITH GROMMETS**

(71) Applicant: **Custom Molded Products, Inc.**,  
Newnan, GA (US)

(72) Inventors: **William J. Drury**, Peachtree City, GA  
(US); **H. Charles Li**, Peachtree City, GA  
(US)

(73) Assignee: **Custom Molded Products, Inc.**,  
Newnan, GA (US)

(\*\*) Term: **14 Years**

(21) Appl. No.: **29/513,389**

(22) Filed: **Dec. 30, 2014**

6,470,508	B2 *	10/2002	Turner	.....	4/541.1
6,691,336	B2 *	2/2004	Buck	.....	4/541.6
6,889,916	B2 *	5/2005	Loyd et al.	.....	239/261
D550,334	S *	9/2007	De Alba	.....	D23/259
D612,912	S *	3/2010	Delaney et al.	.....	D23/259
D613,826	S *	4/2010	Hall et al.	.....	D23/259
D678,481	S *	3/2013	Branco	.....	D23/260
8,458,825	B2 *	6/2013	Peng et al.	.....	4/541.6
8,869,320	B1 *	10/2014	Santamarina et al.	.....	4/541.6
2007/0033725	A1 *	2/2007	Holtsnider	.....	4/541.6
2008/0127407	A1 *	6/2008	Wooten	.....	4/541.6
2009/0133188	A1 *	5/2009	Peng et al.	.....	4/541.6
2009/0249539	A1 *	10/2009	Holtsnider	.....	4/541.6
2009/0276952	A1 *	11/2009	Wooten	.....	4/541.6
2010/0299825	A1 *	12/2010	Fleischer	.....	4/541.6
2011/0004993	A1 *	1/2011	Frei	.....	4/492
2012/0174312	A1 *	7/2012	Loyd et al.	.....	4/541.6
2012/0192348	A1 *	8/2012	Campbell	.....	4/541.6
2012/0272447	A1 *	11/2012	Fleischer	.....	4/541.6

\* cited by examiner

**Related U.S. Application Data**

(62) Division of application No. 29/470,729, filed on Oct. 24, 2013.

(51) **LOC (10) Cl.** ..... **23-01**

(52) **U.S. Cl.**  
USPC ..... **D23/262**

(58) **Field of Classification Search**  
USPC ..... D23/259, 260, 261, 262, 263, 264, 265,  
D23/266, 267, 268; 4/492, 443, 507, 541.1,  
4/541.6, 215; 138/39, 103, 105, 109,  
138/118, 121, 122, 157, 158; 285/58,  
285/179-183

See application file for complete search history.

(56) **References Cited**

**U.S. PATENT DOCUMENTS**

D244,937	S *	7/1977	Houk	.....	D23/259
D284,603	S *	7/1986	Loignon	.....	D23/259
5,848,444	A *	12/1998	Christopherson	.....	4/541.6
5,915,849	A *	6/1999	Dongo	.....	4/541.6
D437,633	S *	2/2001	Weise et al.	.....	D23/263
6,263,522	B1 *	7/2001	Dongo et al.	.....	4/541.6
D460,192	S *	7/2002	Collins et al.	.....	D24/204

*Primary Examiner* — John Windmuller

*Assistant Examiner* — Steven Czyn

(74) *Attorney, Agent, or Firm* — Laurence P. Colton; Smith  
Risley Tempel Santos LLC

(57) **CLAIM**

The ornamental design for a jet body for use with grommets,  
as shown and described.

**DESCRIPTION**

FIG. 1 is a side perspective view of a new design for a jet body  
for use with grommets.

FIG. 2 is a front view thereof.

FIG. 3 is a rear view thereof.

FIG. 4 is a right side view thereof.

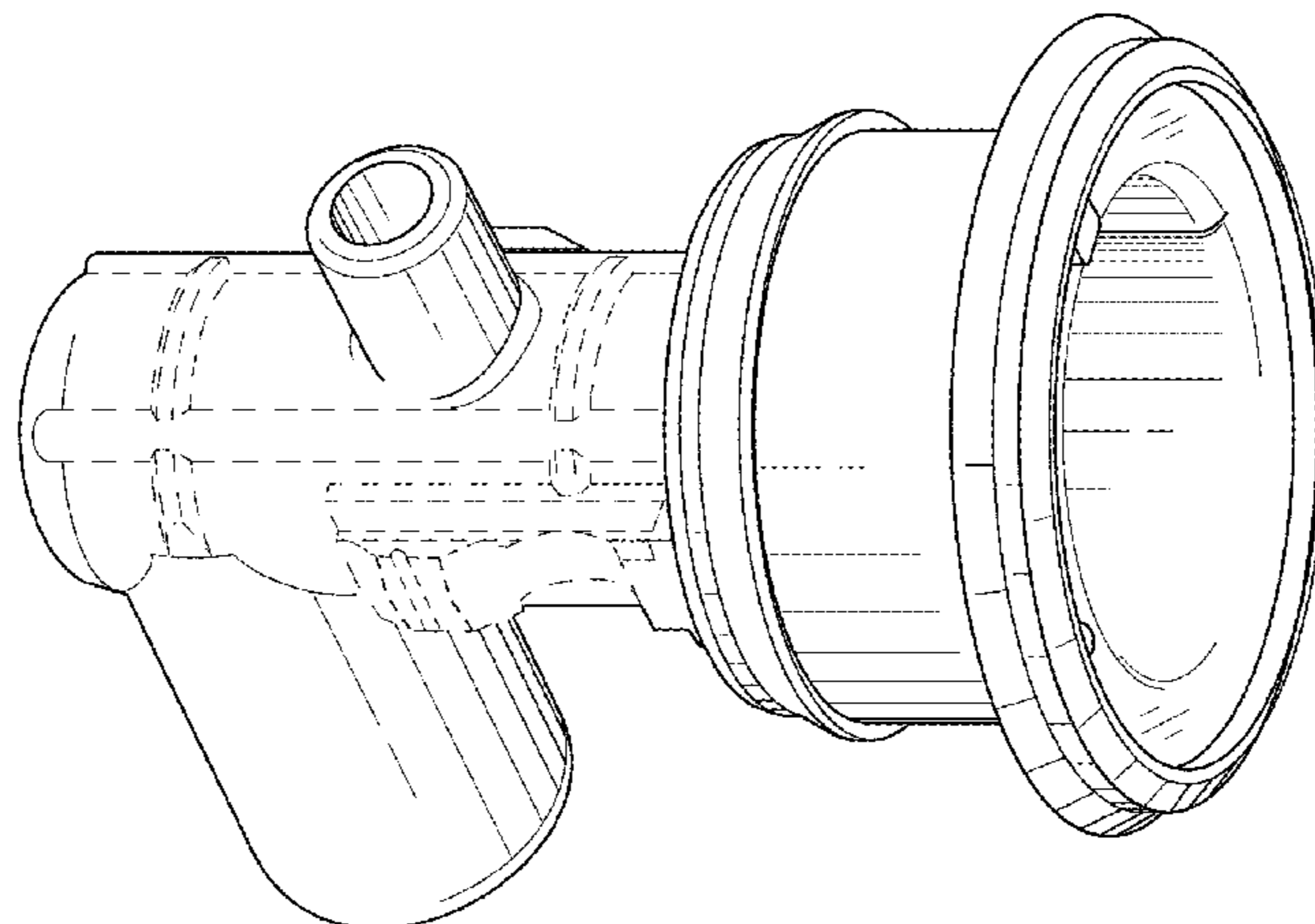
FIG. 5 is a left side view thereof.

FIG. 6 is a top view thereof; and,

FIG. 7 is a bottom view thereof.

The broken line showing is included for the purpose of illus-  
trating portions of the article and forms no part of the claimed  
design.

**1 Claim, 7 Drawing Sheets**



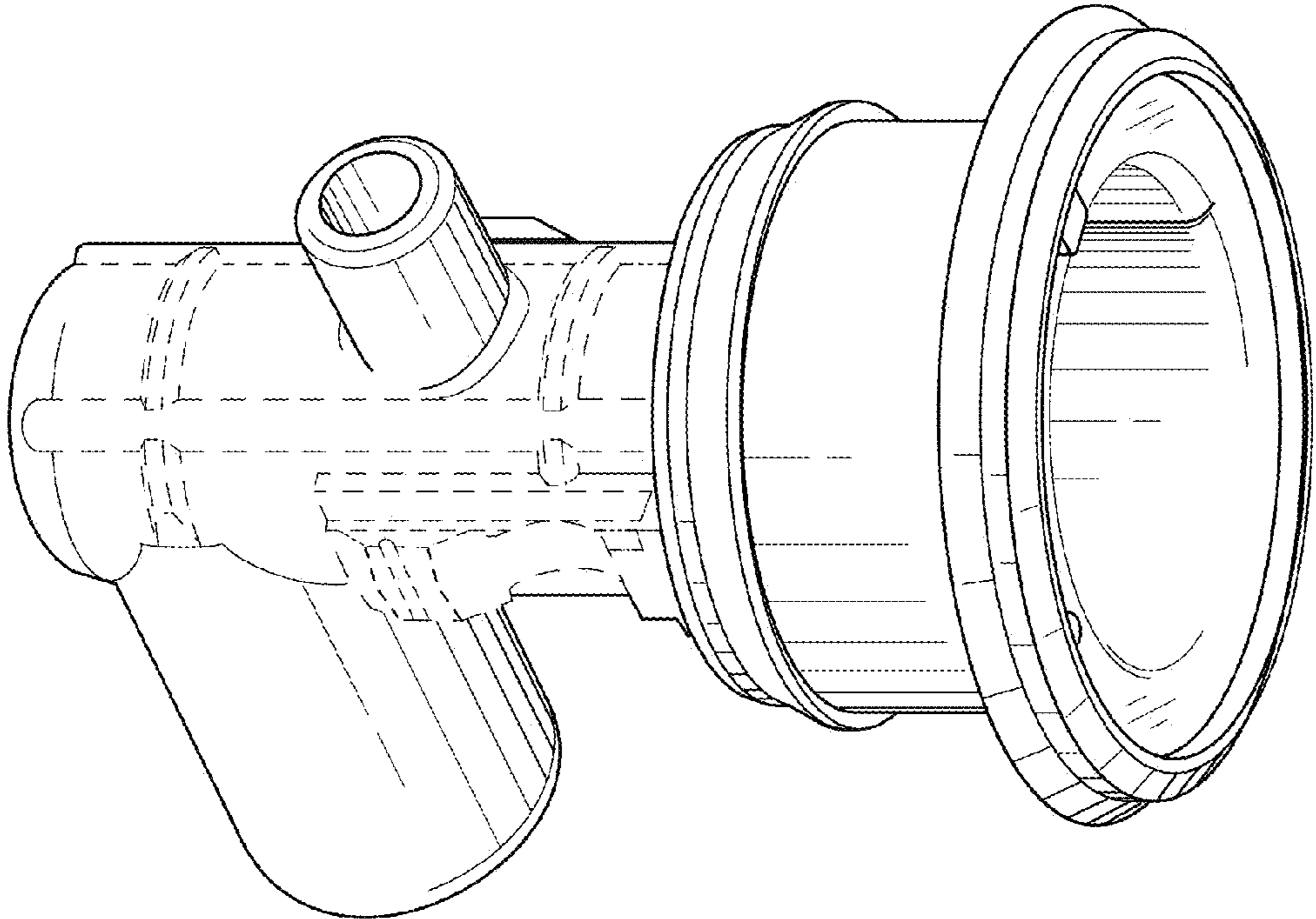


FIG. 1

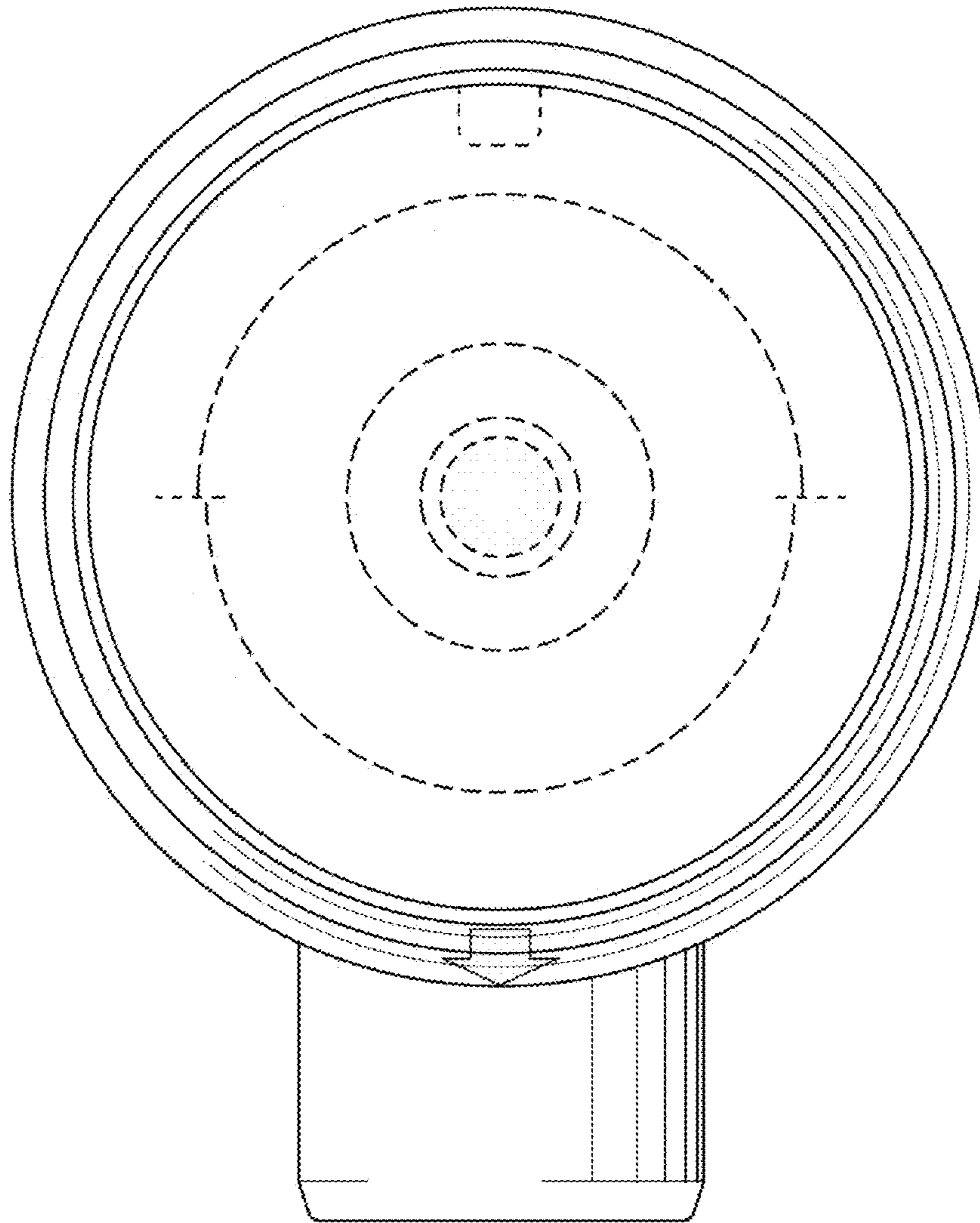


FIG. 2

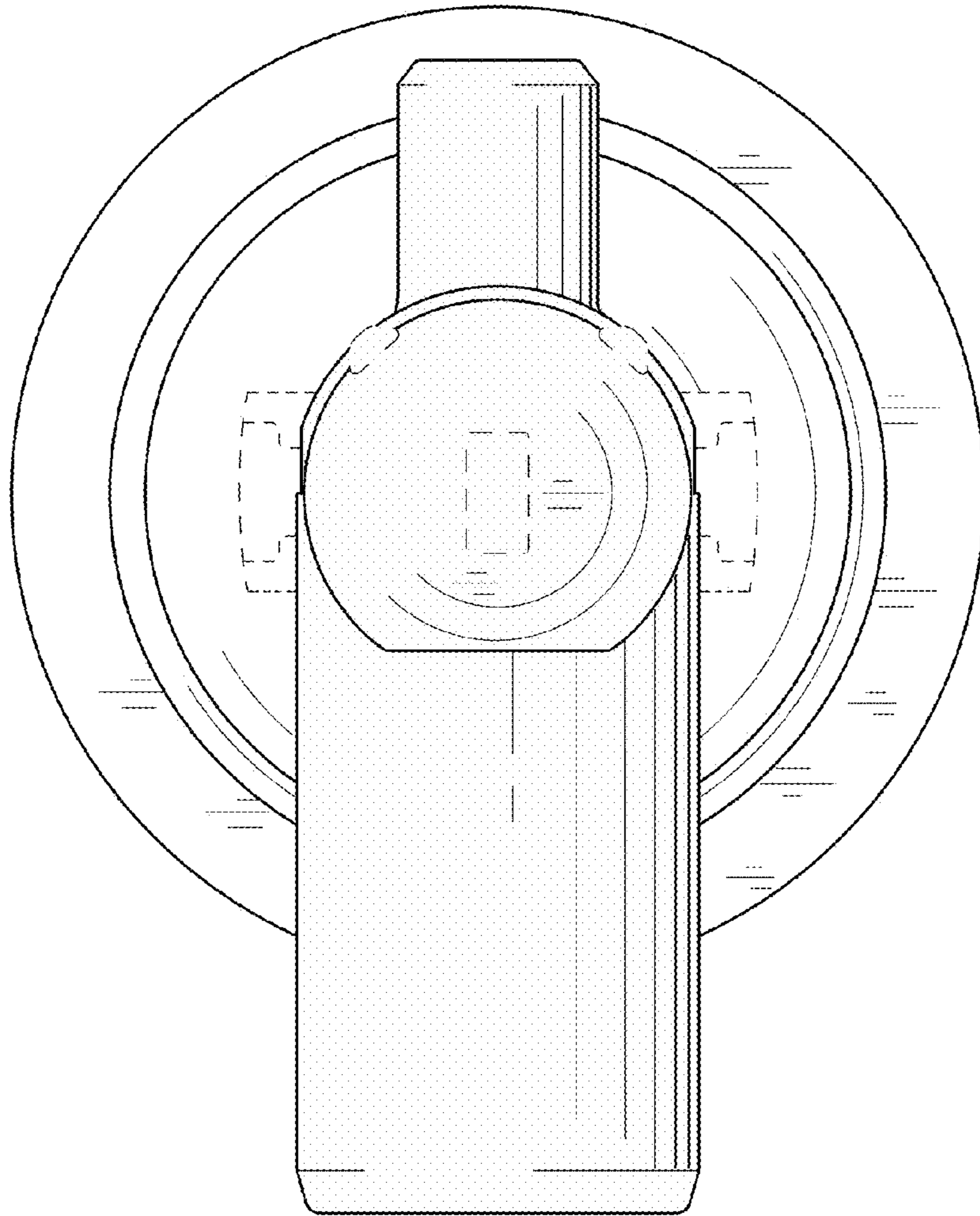


FIG. 3

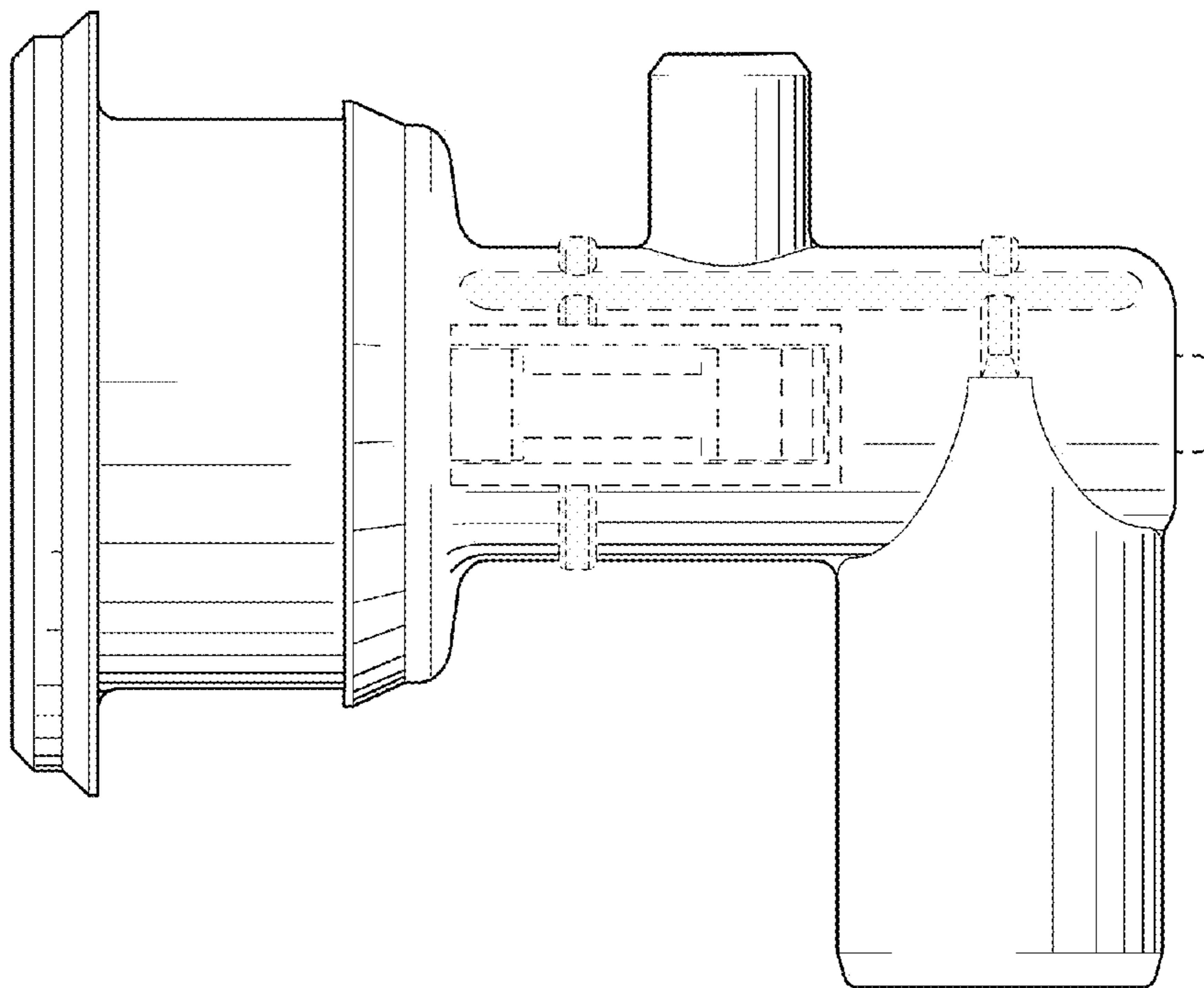


FIG. 4



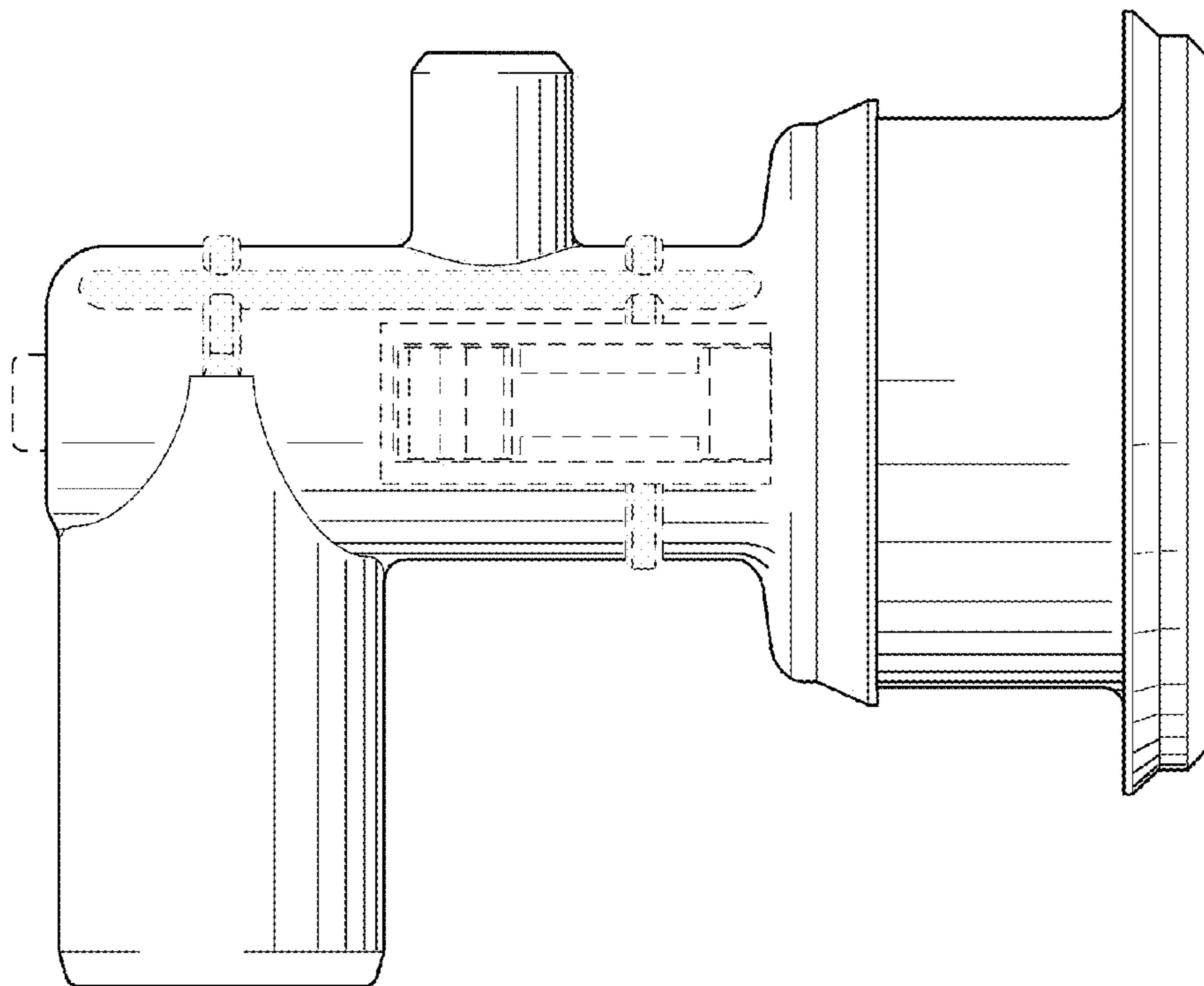


FIG. 5

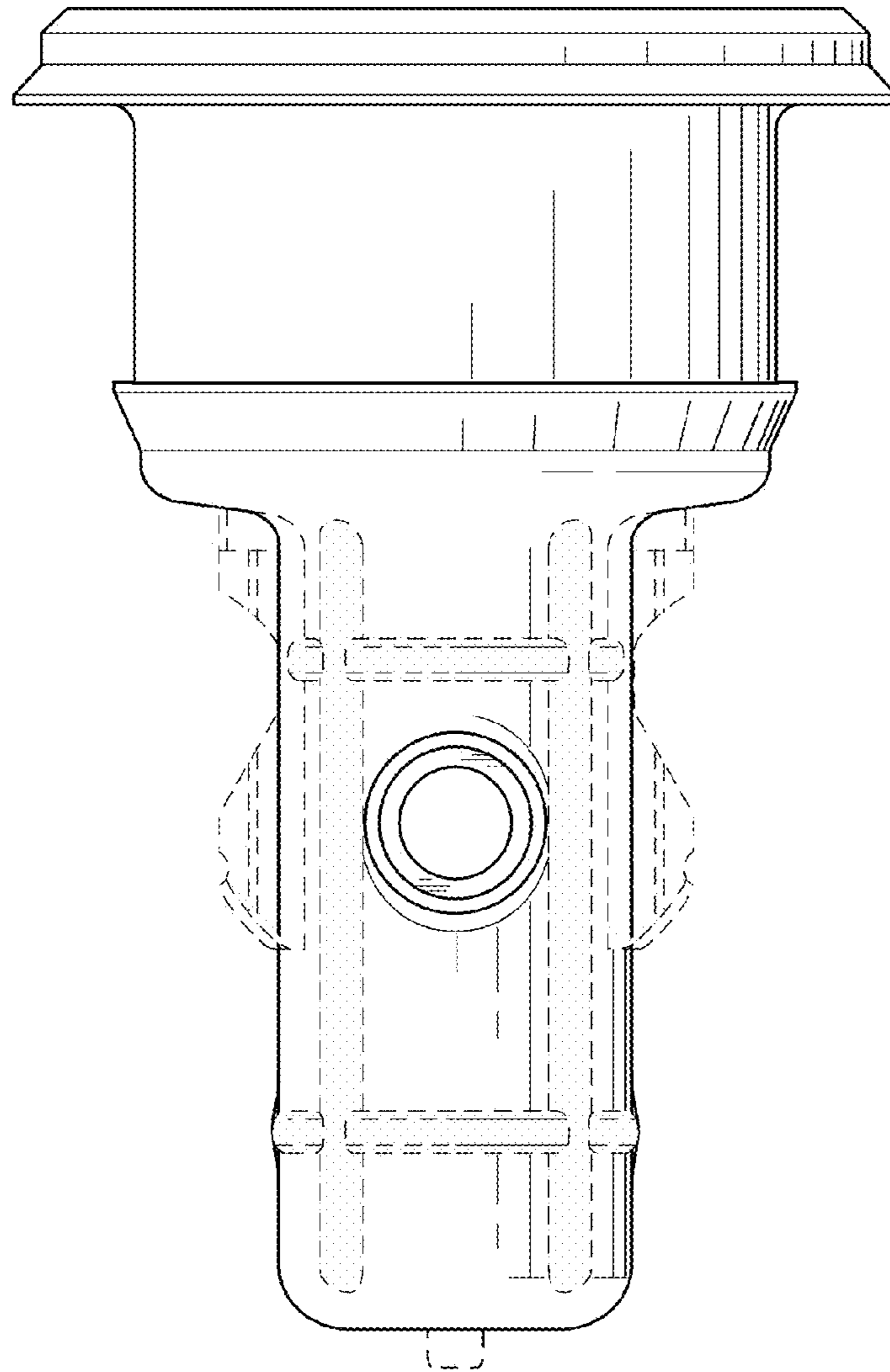


FIG. 6

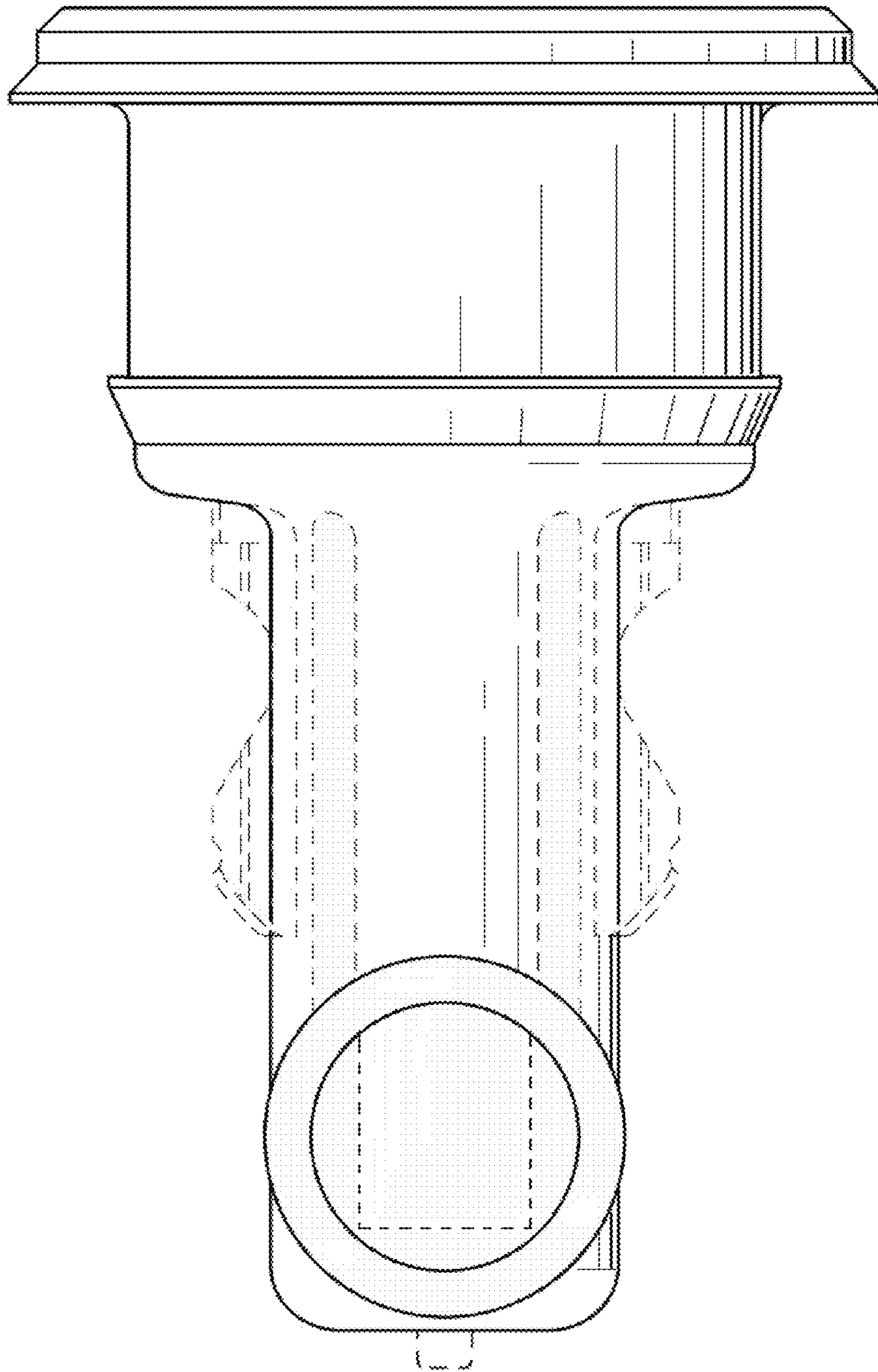


FIG. 7