



US00D751675S

(12) **United States Design Patent**  
**Gledhill et al.**

(10) **Patent No.:** **US D751,675 S**  
(45) **Date of Patent:** **\*\* Mar. 15, 2016**

(54) **PIPE CONNECTION FITTING**  
(71) Applicant: **GSA Industries (Aust.) Pty. Ltd.**,  
Melbourne (AU)  
(72) Inventors: **Jeremy Gledhill**, Dandenong South  
(AU); **William Vernon Kluss**, Woombye  
(AU)  
(73) Assignee: **RELIANCE WORLDWIDE**  
**CORPORATION (AUST.) PTY. LTD.**,  
Melbourne (AU)

D667,930 S \* 9/2012 Yamada ..... D23/233  
8,327,871 B1 12/2012 Franklin et al.  
D676,940 S 2/2013 Kluss et al.  
D676,941 S \* 2/2013 Kluss ..... D23/262  
D676,942 S 2/2013 Kluss et al.  
D676,943 S 2/2013 Kluss et al.  
D693,429 S 11/2013 Thibodeaux, Jr.  
D729,909 S \* 5/2015 Castrigno ..... D23/263  
D731,627 S \* 6/2015 Guest ..... D23/262

(\*\*) Term: **14 Years**  
(21) Appl. No.: **29/500,098**  
(22) Filed: **Aug. 21, 2014**

**FOREIGN PATENT DOCUMENTS**

EP 0897082 A1 2/1999

\* cited by examiner

*Primary Examiner* — Robert Delehanty

(74) *Attorney, Agent, or Firm* — Bush Intellectual Property  
Law; Kenneth M. Bush

(30) **Foreign Application Priority Data**  
Feb. 28, 2014 (AU) ..... 10920/2014  
(51) **LOC (10) Cl.** ..... **23-01**  
(52) **U.S. Cl.**  
USPC ..... **D23/259**  
(58) **Field of Classification Search**  
USPC ..... D23/259–263, 266–269, 233  
CPC ..... F16L 11/00; F16L 37/252; F16L 41/007;  
E03C 1/26; E03C 1/262; E03C 1/28; E03F  
5/04; A61B 5/00; A61M 25/09016  
See application file for complete search history.

(57) **CLAIM**

The ornamental design for a pipe connection fitting, as shown  
and described.

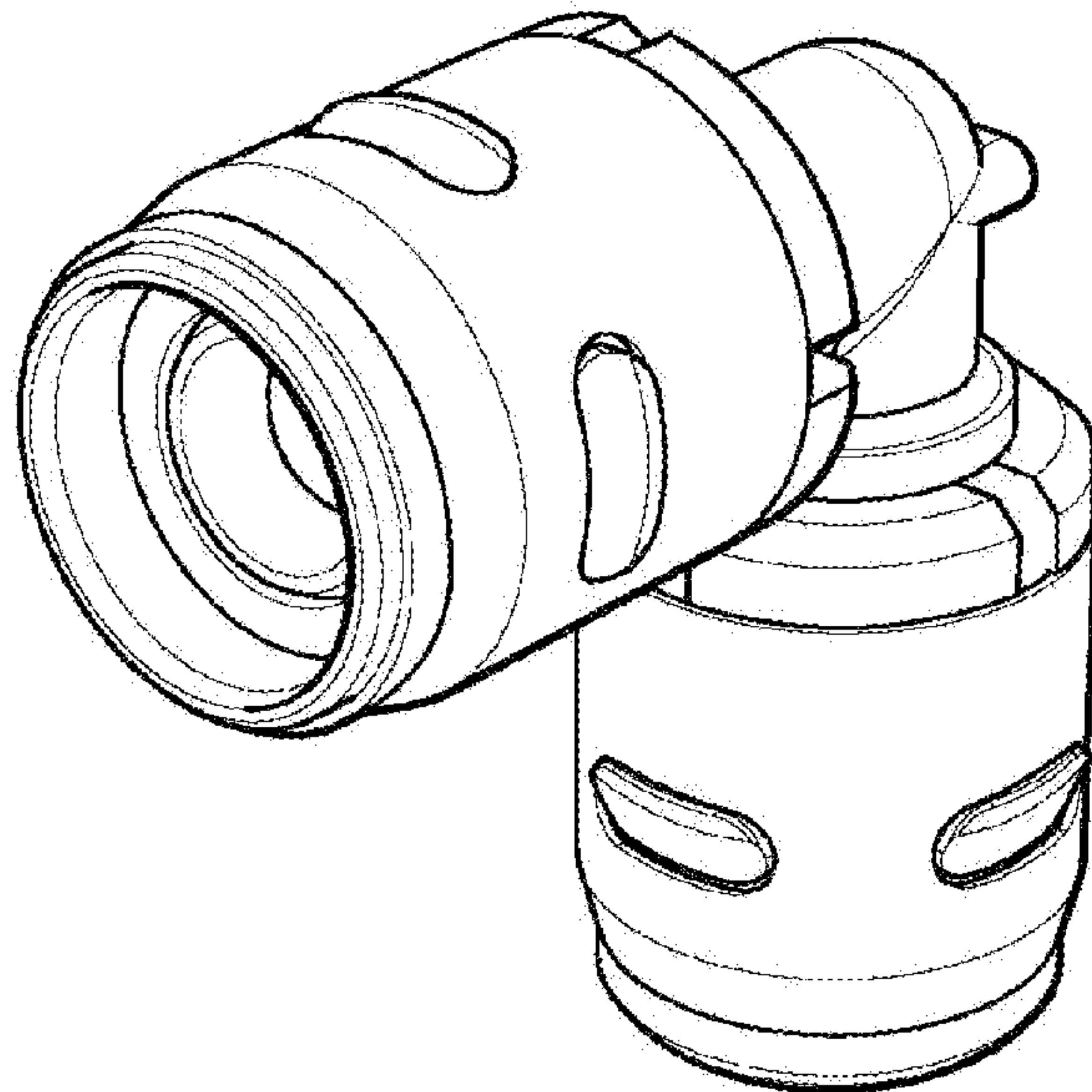
(56) **References Cited**  
U.S. PATENT DOCUMENTS

D296,816 S \* 7/1988 Budzinski ..... D23/262  
D667,082 S \* 9/2012 Fukushima ..... D23/235

**DESCRIPTION**

FIG. 1 is a front perspective view from above of an ornamental  
design for a pipe connection fitting;  
FIG. 2 is a rear perspective view from below thereof;  
FIG. 3 is a front view thereof;  
FIG. 4 is a rear view thereof;  
FIG. 5 is a plan view thereof;  
FIG. 6 is an underneath view thereof;  
FIG. 7 is a left side view thereof; and,  
FIG. 8 is a right side view thereof.

**1 Claim, 4 Drawing Sheets**



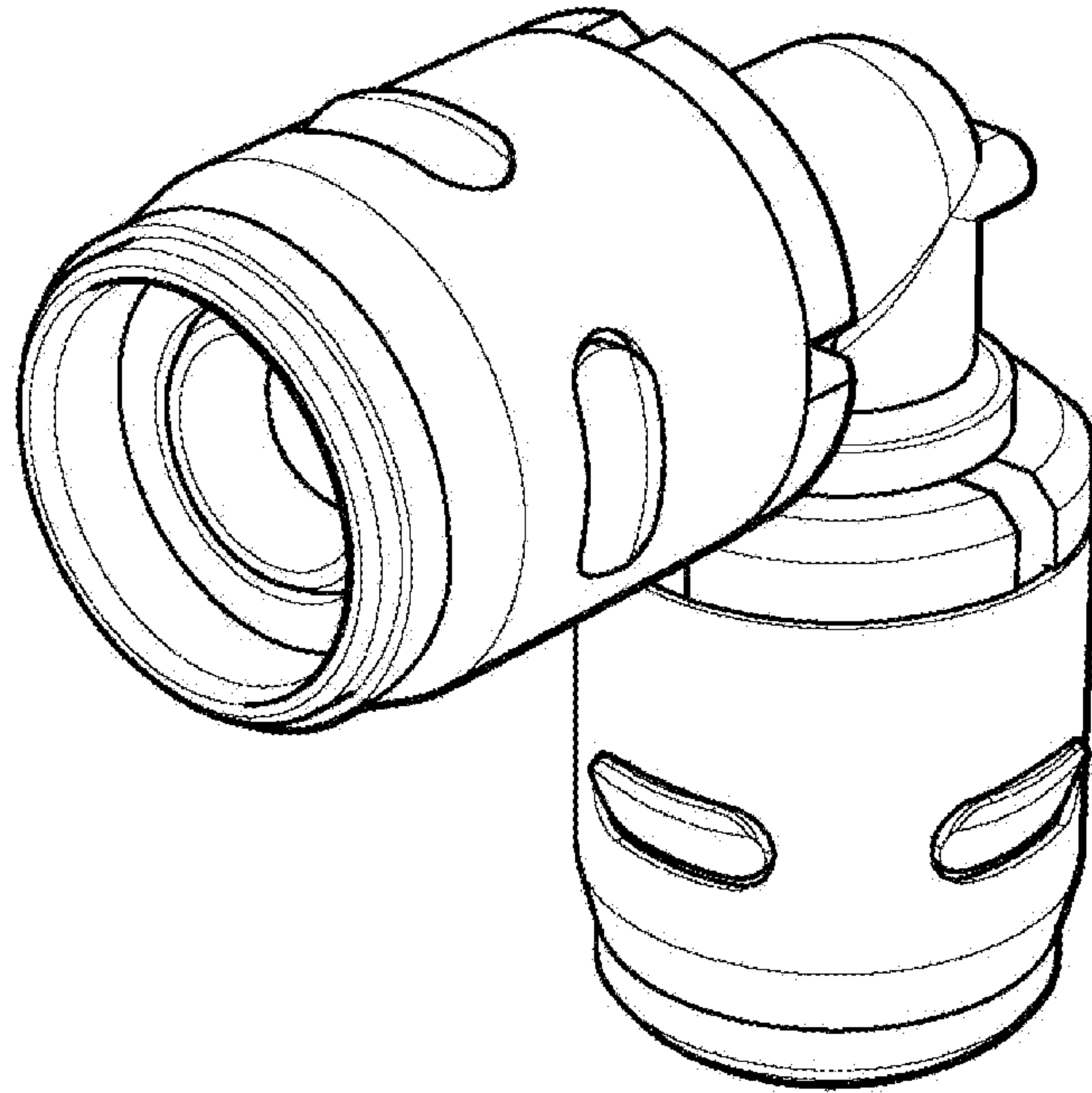


FIG. 1

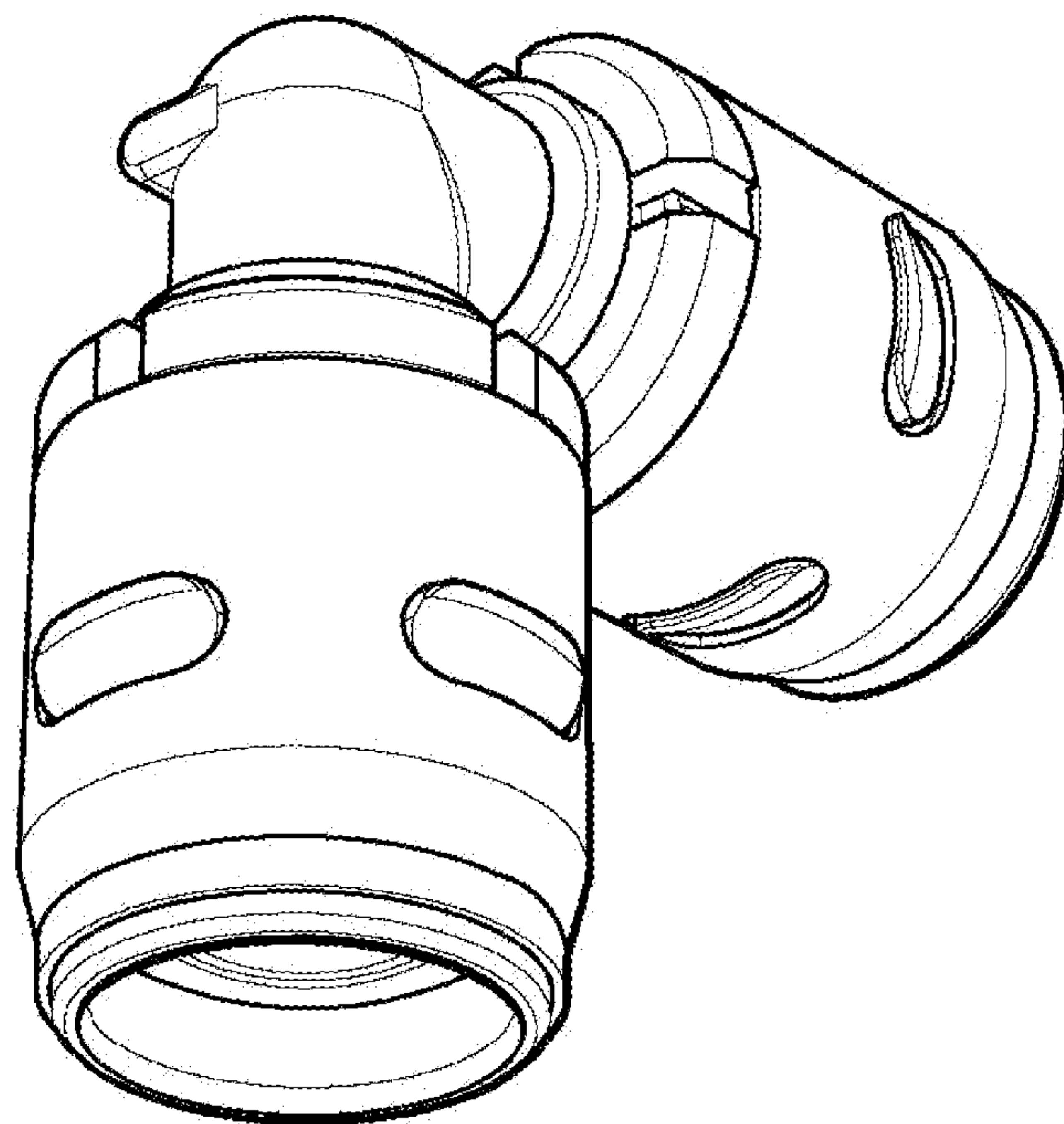


FIG. 2

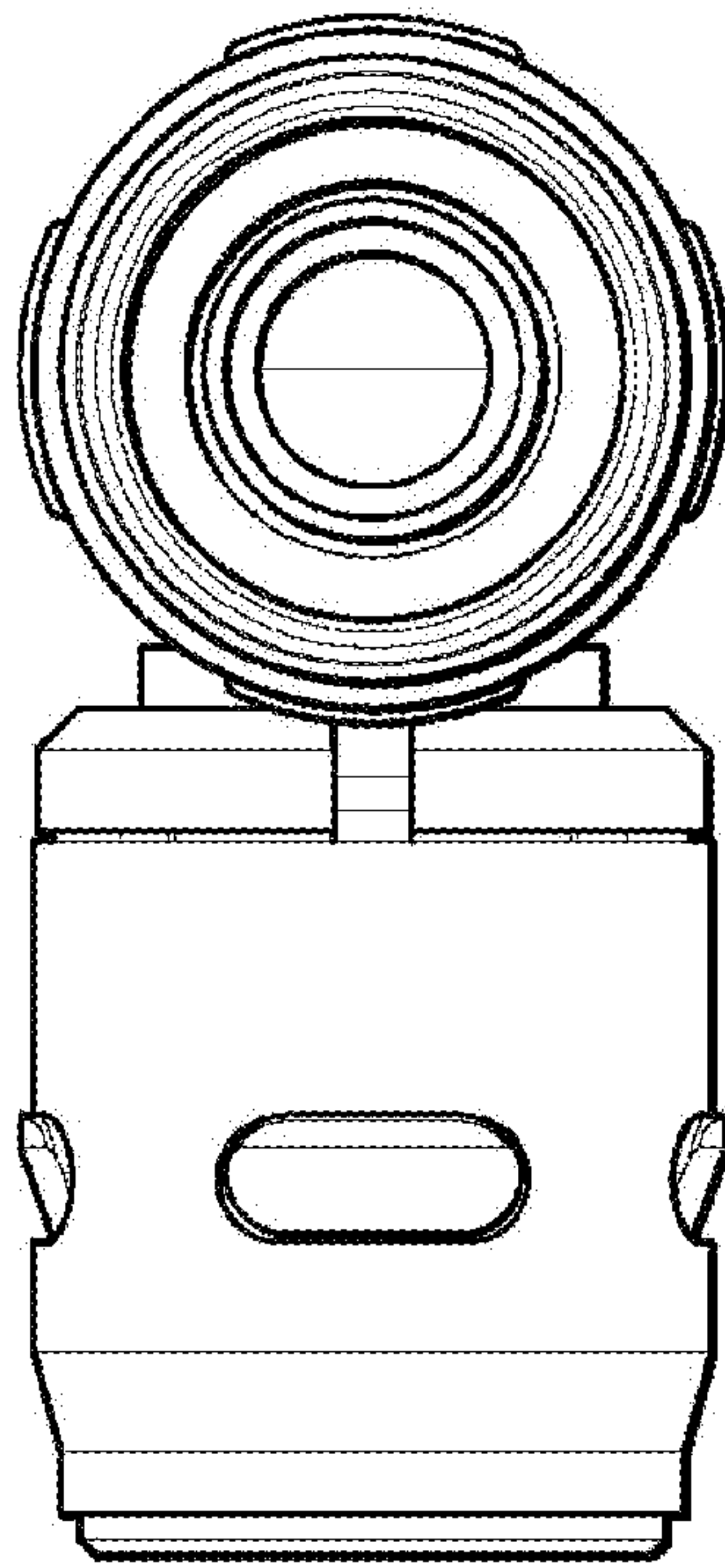


FIG. 3

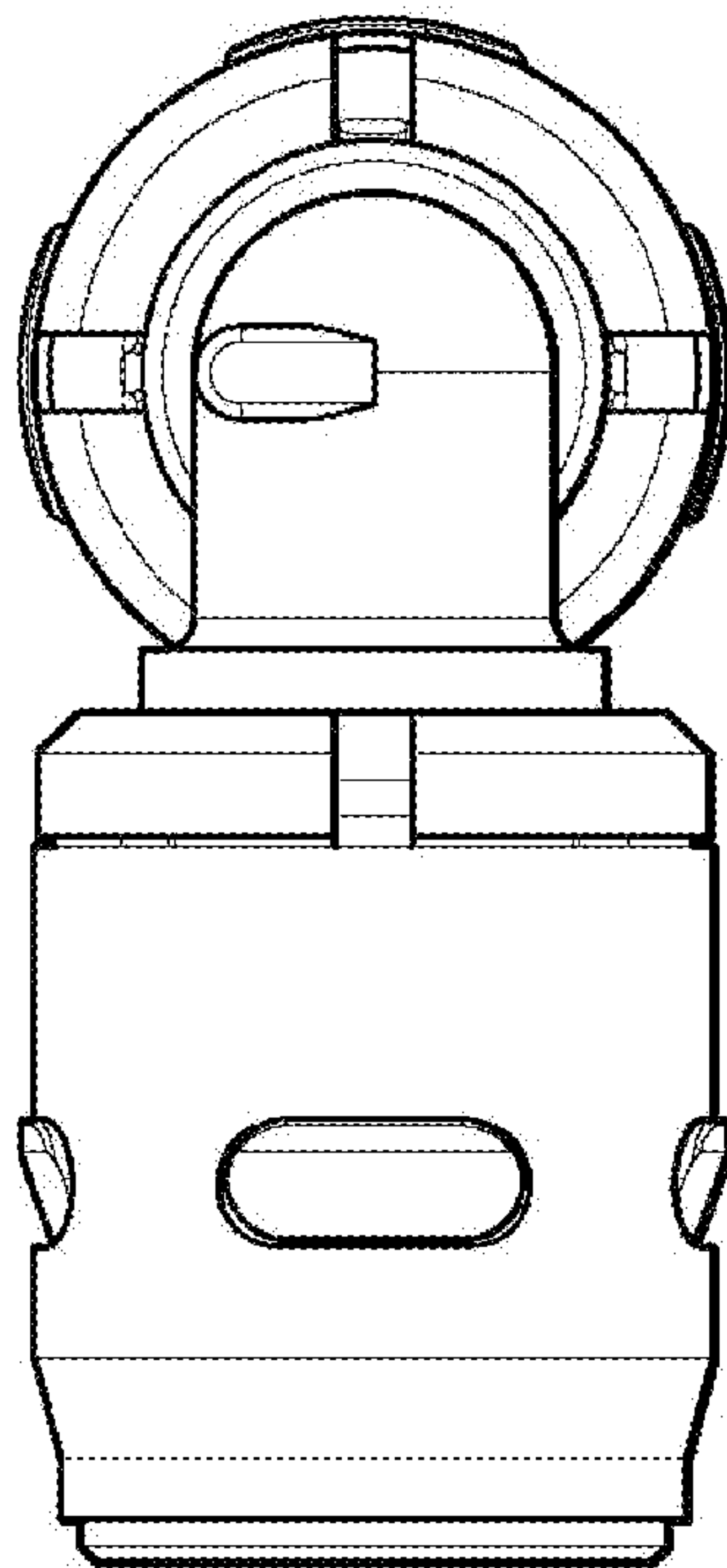


FIG. 4

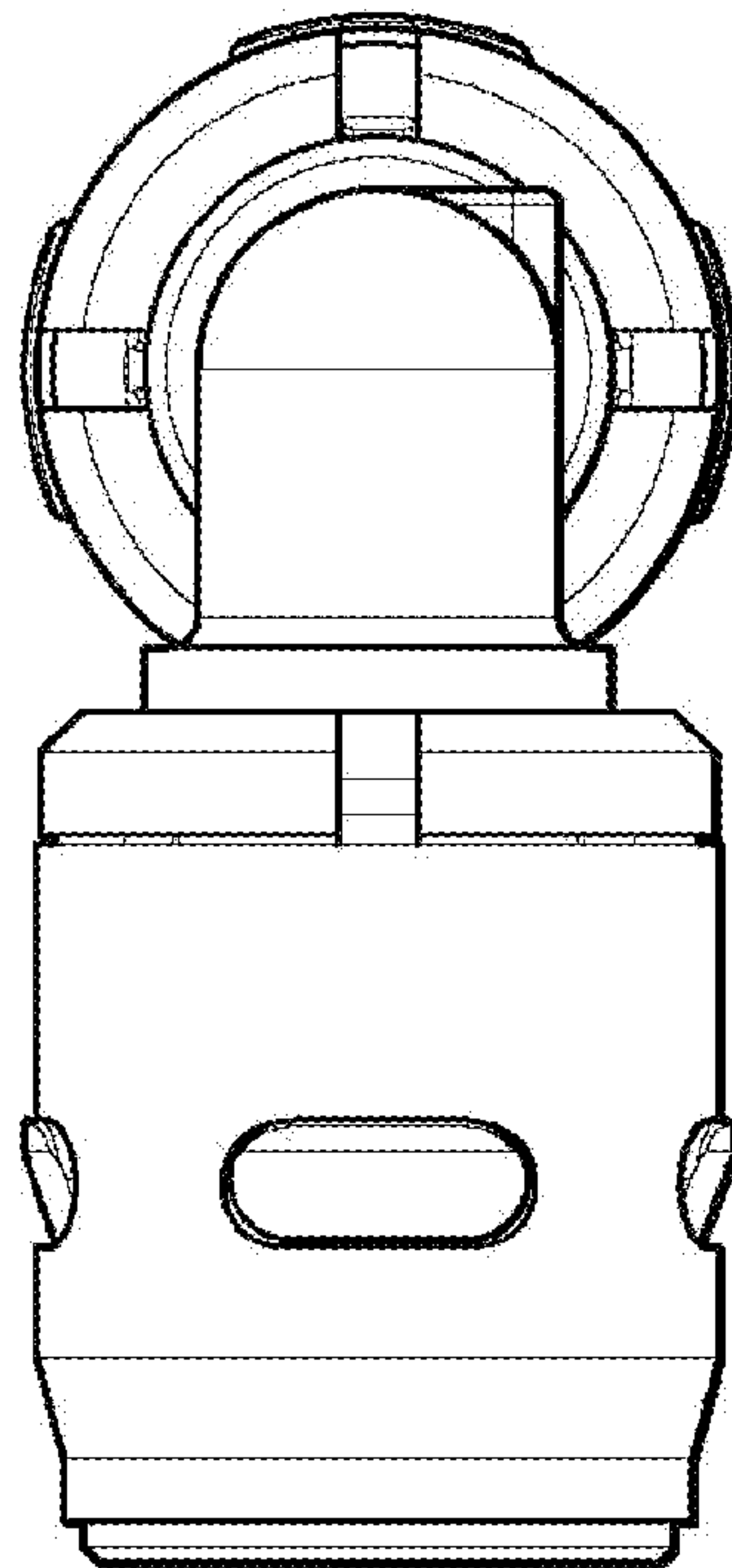


FIG. 5

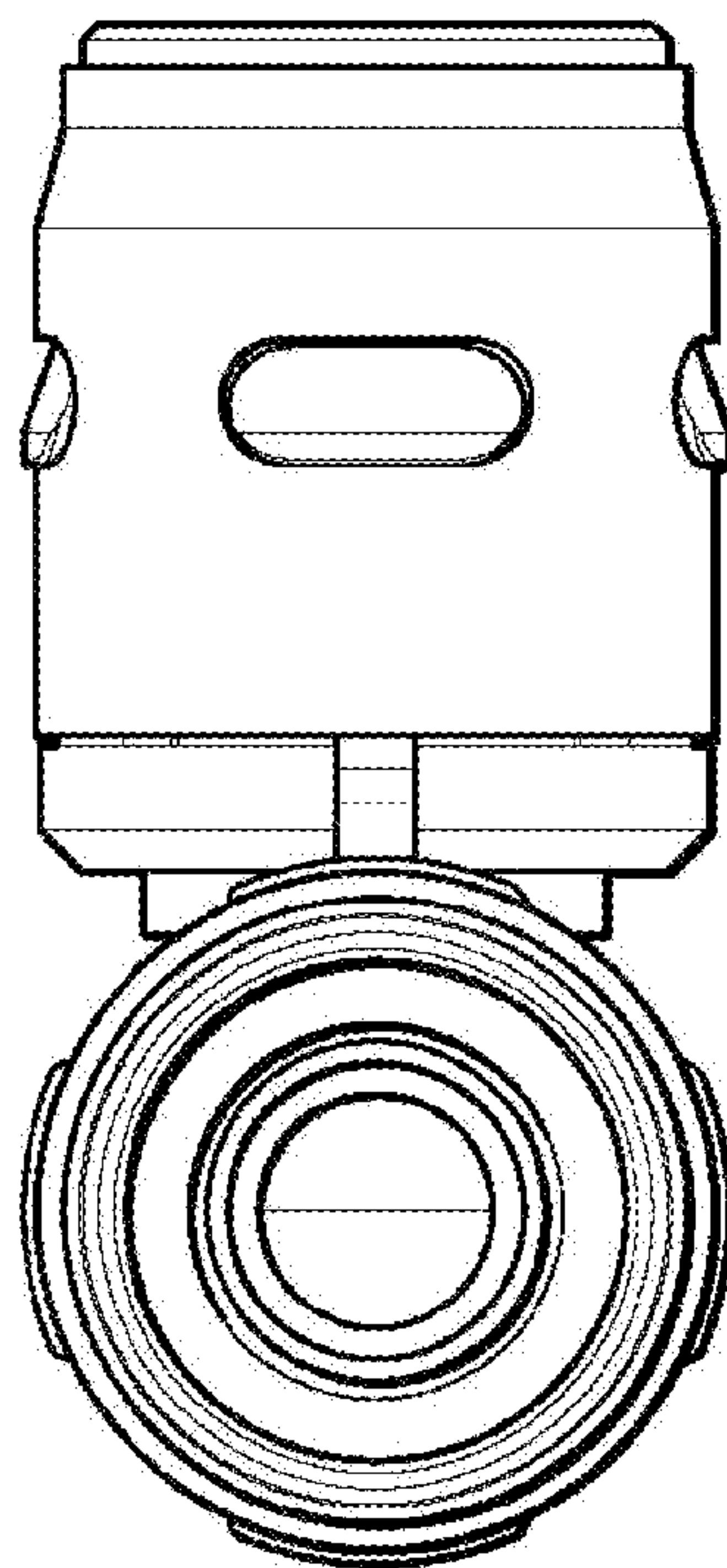


FIG. 6

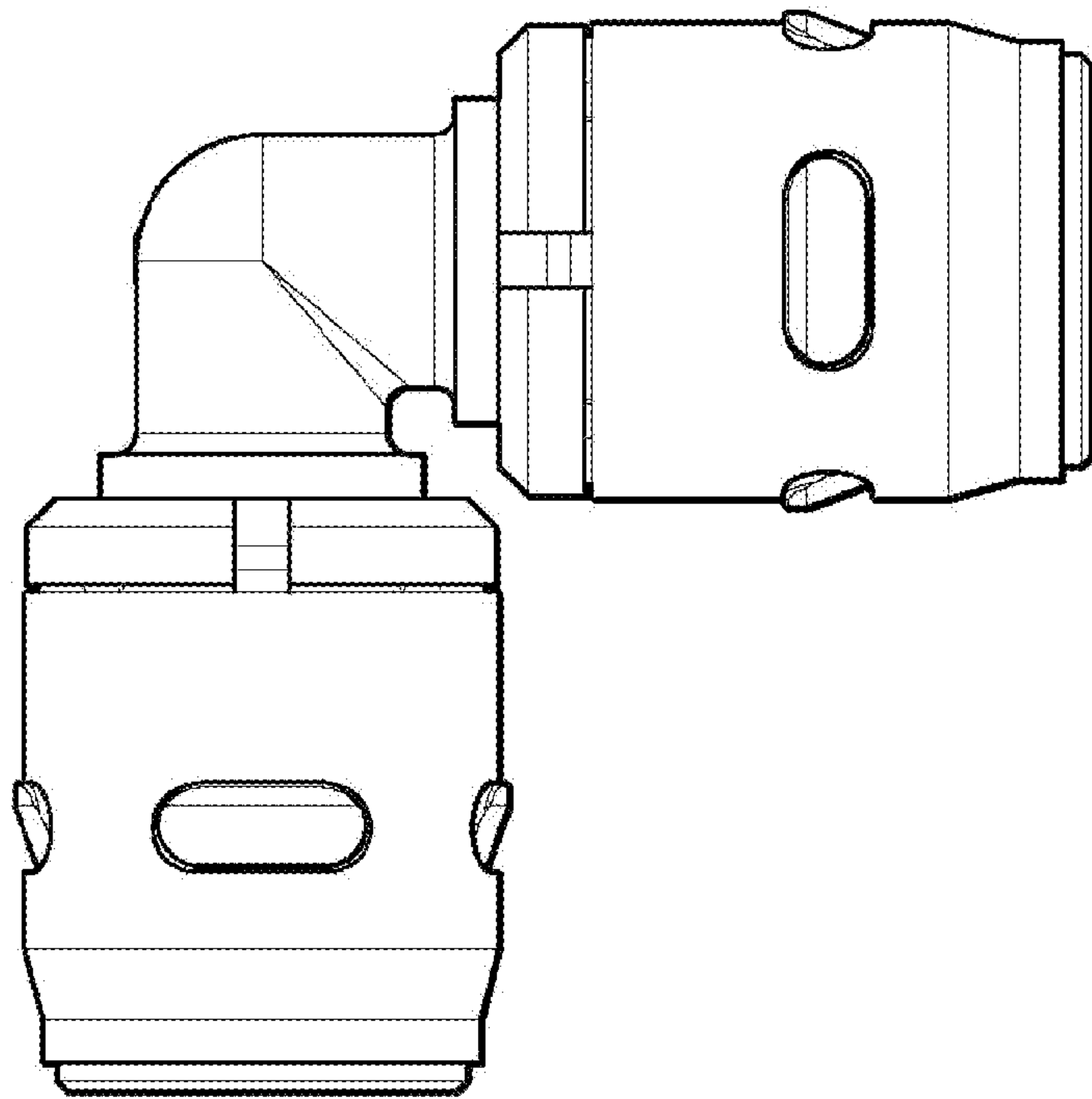


FIG. 7

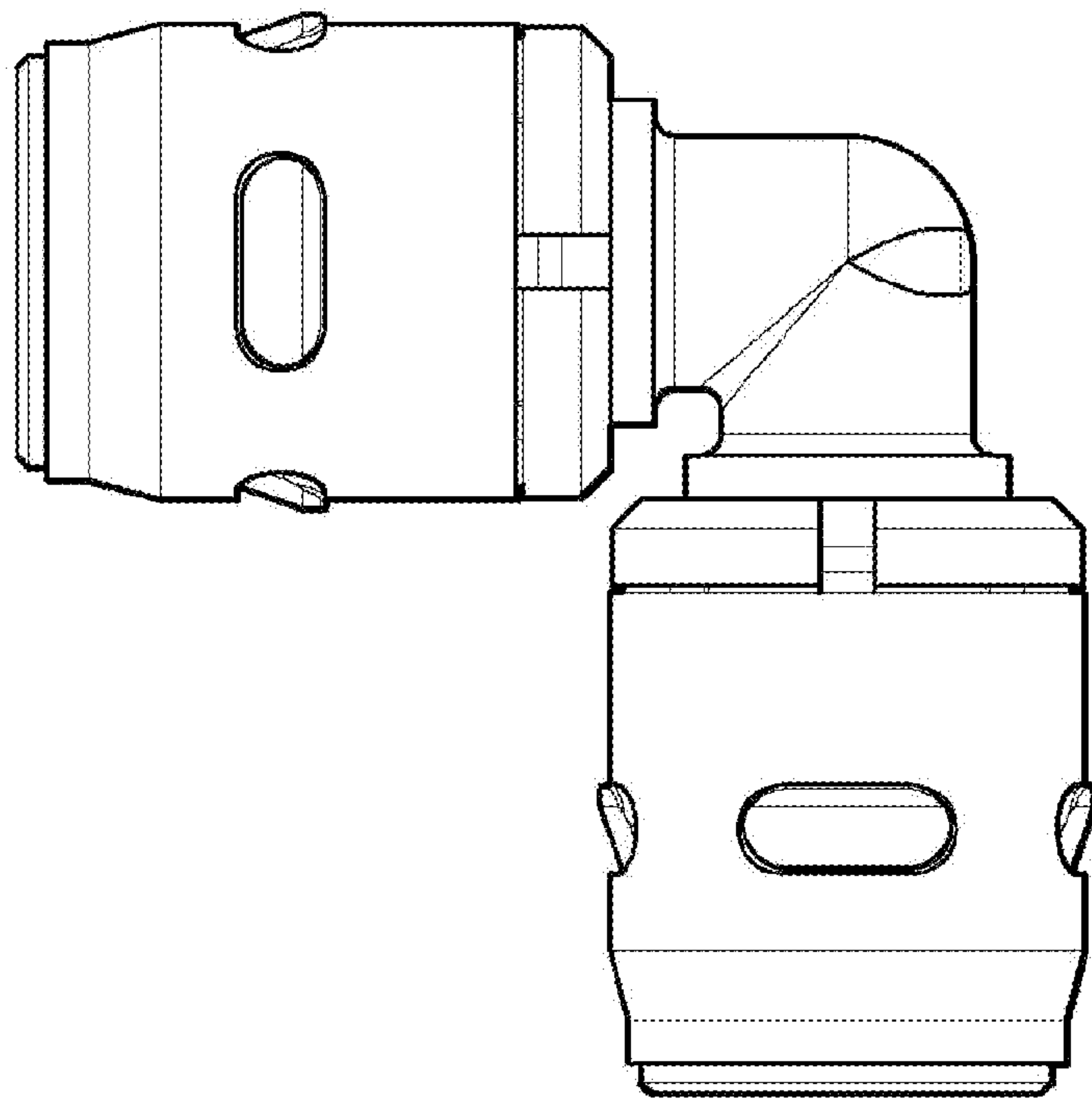


FIG. 8