

US00D751674S

(12) **United States Design Patent**
Gledhill et al.

(10) **Patent No.:** **US D751,674 S**
(45) **Date of Patent:** **** Mar. 15, 2016**

- (54) **PIPE CONNECTION FITTING**
- (71) Applicant: **GSA Industries (Aust.) Pty. Ltd.**,
Melbourne (AU)
- (72) Inventors: **Jeremy Gledhill**, Dandenong South
(AU); **William Vernon Kluss**, Woombye
(AU)
- (73) Assignee: **RELIANCE WORLDWIDE**
CORPORATION (AUST.) PTY. LTD.,
Melbourne (AU)

8,327,871	B1	12/2012	Franklin et al.	
D676,940	S	2/2013	Kluss et al.	
D676,941	S	2/2013	Kluss et al.	
D676,942	S	2/2013	Kluss et al.	
D676,943	S	2/2013	Kluss et al.	
D687,528	S *	8/2013	Meyer	D23/262
D693,429	S	11/2013	Thibodeaux, Jr.	
D711,516	S *	8/2014	Guest	D23/262
D712,014	S *	8/2014	Guest	D23/262
D716,916	S *	11/2014	Snow	D23/262
D733,846	S *	7/2015	Guest	D23/262
2008/0238087	A1 *	10/2008	Wang	F16L 25/009 285/39
2013/0257043	A1 *	10/2013	Guest	F16L 367/101 285/322

(**) Term: **14 Years**

(21) Appl. No.: **29/500,096**

(22) Filed: **Aug. 21, 2014**

(30) **Foreign Application Priority Data**

Feb. 28, 2014 (AU) 10918/2014

(51) **LOC (10) Cl.** **23-01**

(52) **U.S. Cl.**
USPC **D23/259**

(58) **Field of Classification Search**
USPC D23/259-263, 266-269, 233
CPC F16L 11/00; F16L 37/252; F16L 41/007;
E03C 1/26; E03C 1/262; E03C 1/28; E03F
5/04; A61B 5/00; A61M 25/09016
See application file for complete search history.

(56) **References Cited**

U.S. PATENT DOCUMENTS

D482,761	S *	11/2003	Gotoh	D23/262
D483,096	S *	12/2003	Gotoh	D23/235
D575,377	S *	8/2008	Roman	D23/259
D597,183	S *	7/2009	Choi	D23/263
D648,008	S *	11/2011	Percoco	D23/262

FOREIGN PATENT DOCUMENTS

EP 0897082 A1 2/1999

* cited by examiner

Primary Examiner — Robert Delehanty

(74) *Attorney, Agent, or Firm* — Bush Intellectual Property
Law; Kenneth M. Bush

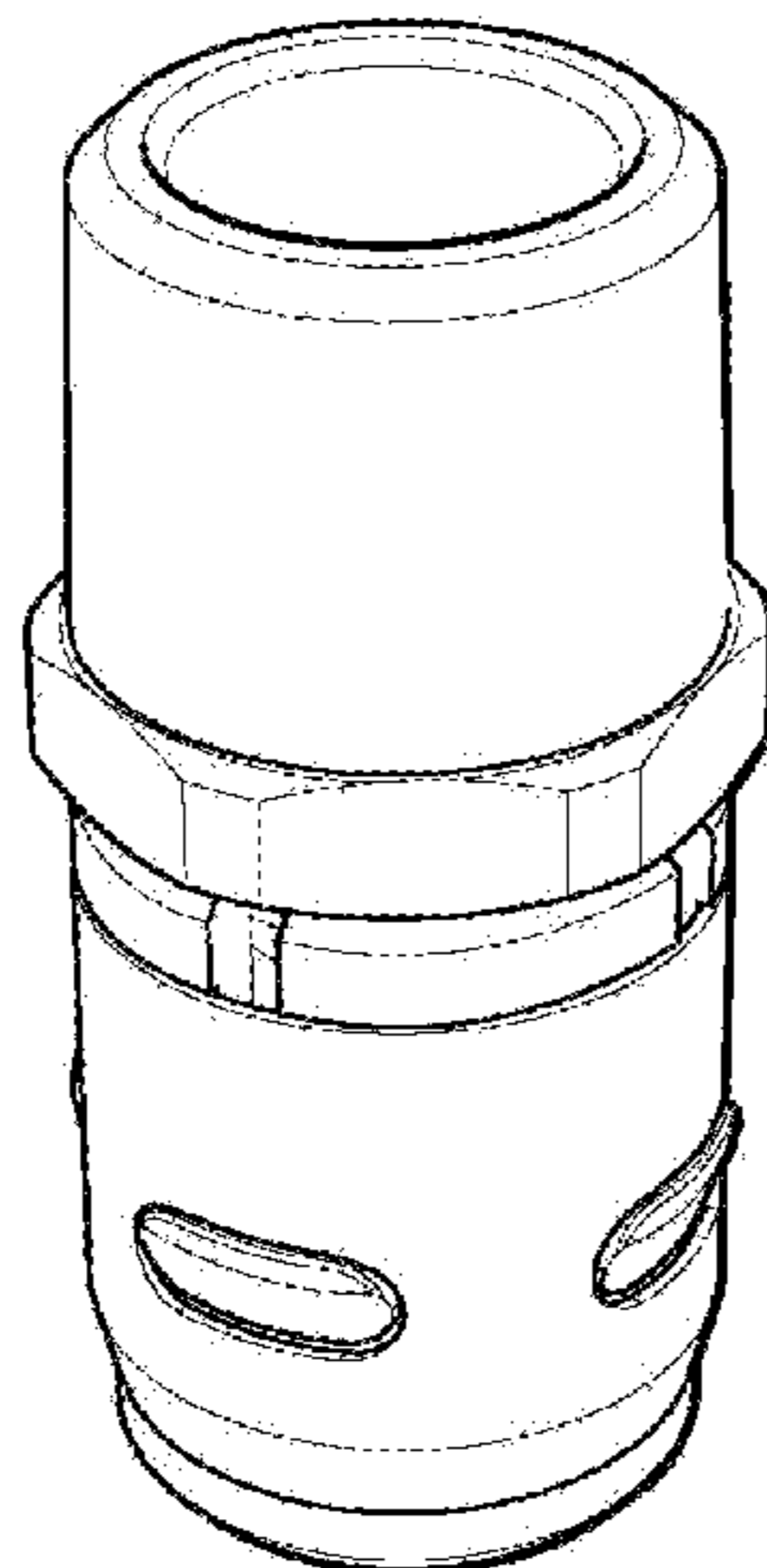
(57) **CLAIM**

The ornamental design for a pipe connection fitting, as shown
and described.

DESCRIPTION

FIG. 1 is a front perspective view from above of an ornamental
design for a pipe connection fitting;
FIG. 2 is a rear perspective view from below thereof;
FIG. 3 is a front view thereof;
FIG. 4 is a rear view thereof;
FIG. 5 is a plan view thereof;
FIG. 6 is an underneath view thereof;
FIG. 7 is a left side view thereof; and,
FIG. 8 is a right side view thereof.

1 Claim, 4 Drawing Sheets



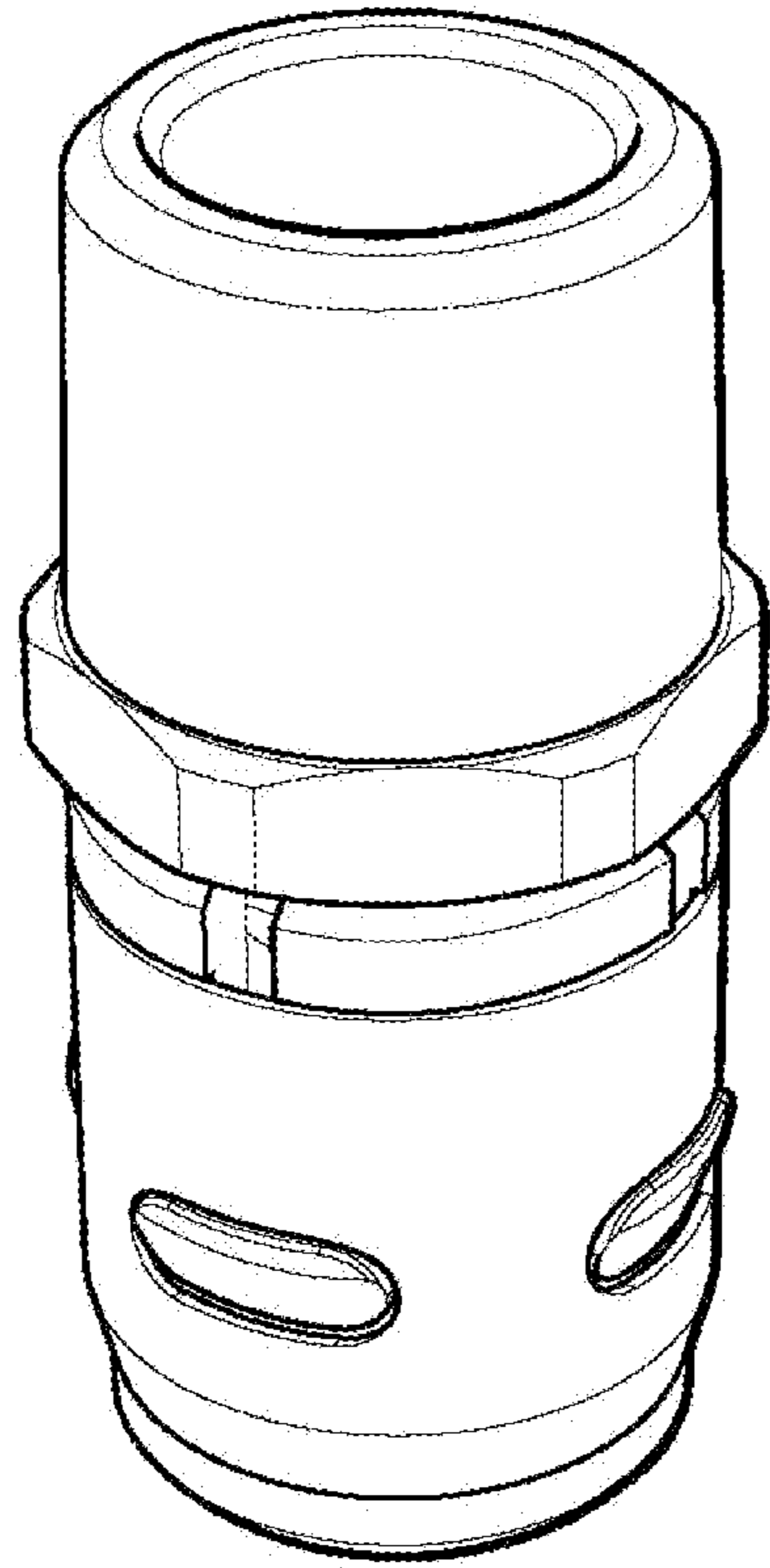


FIG. 1

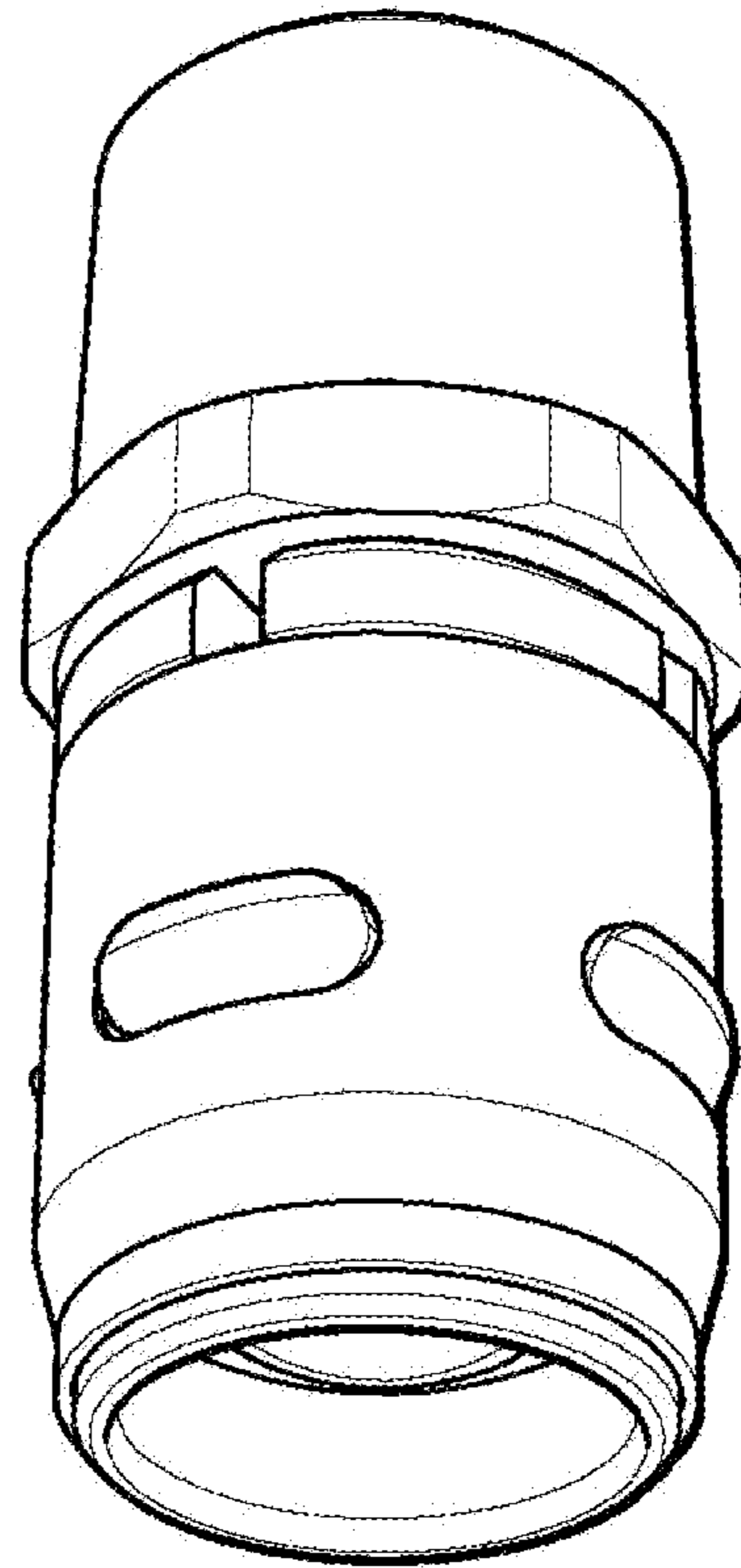


FIG. 2

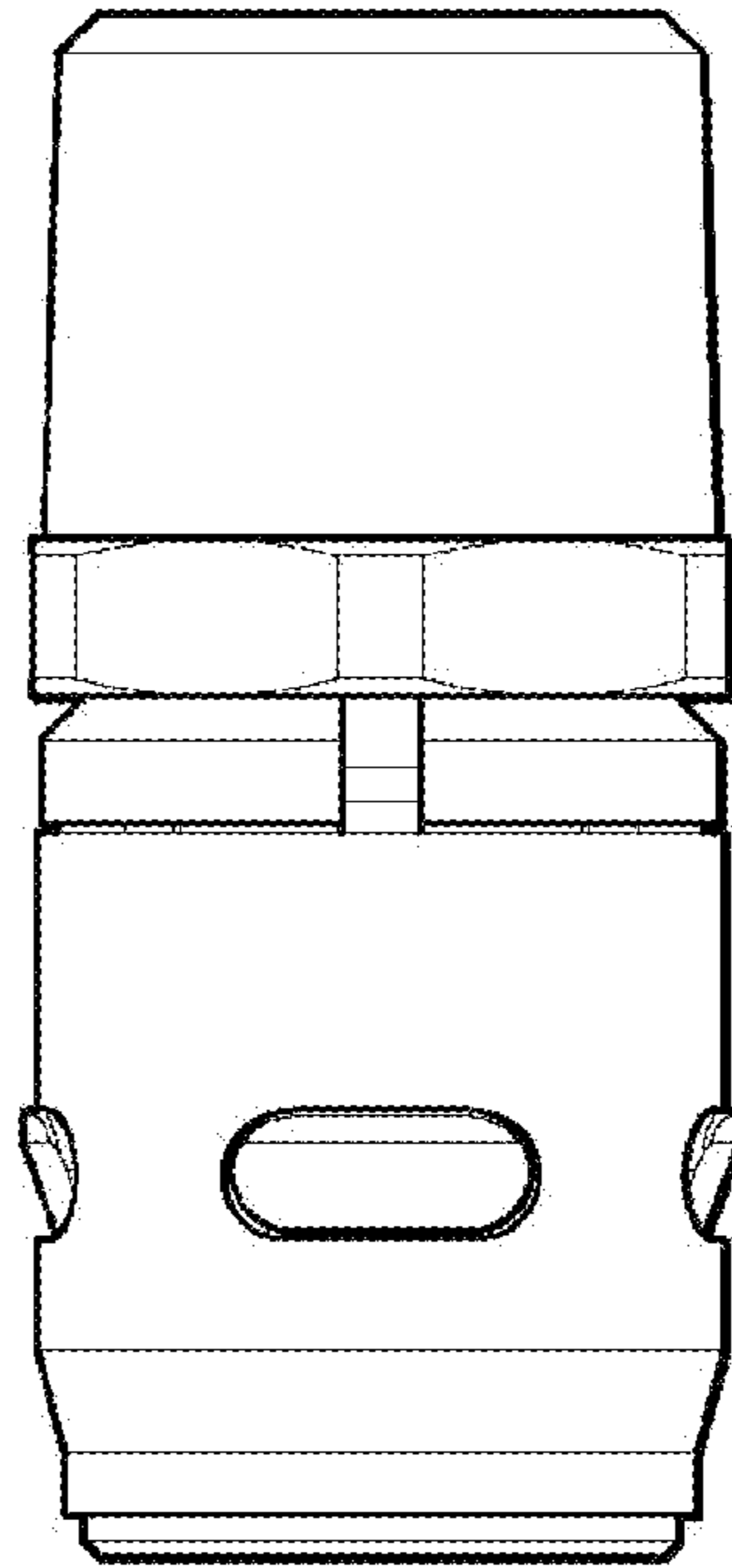


FIG. 3

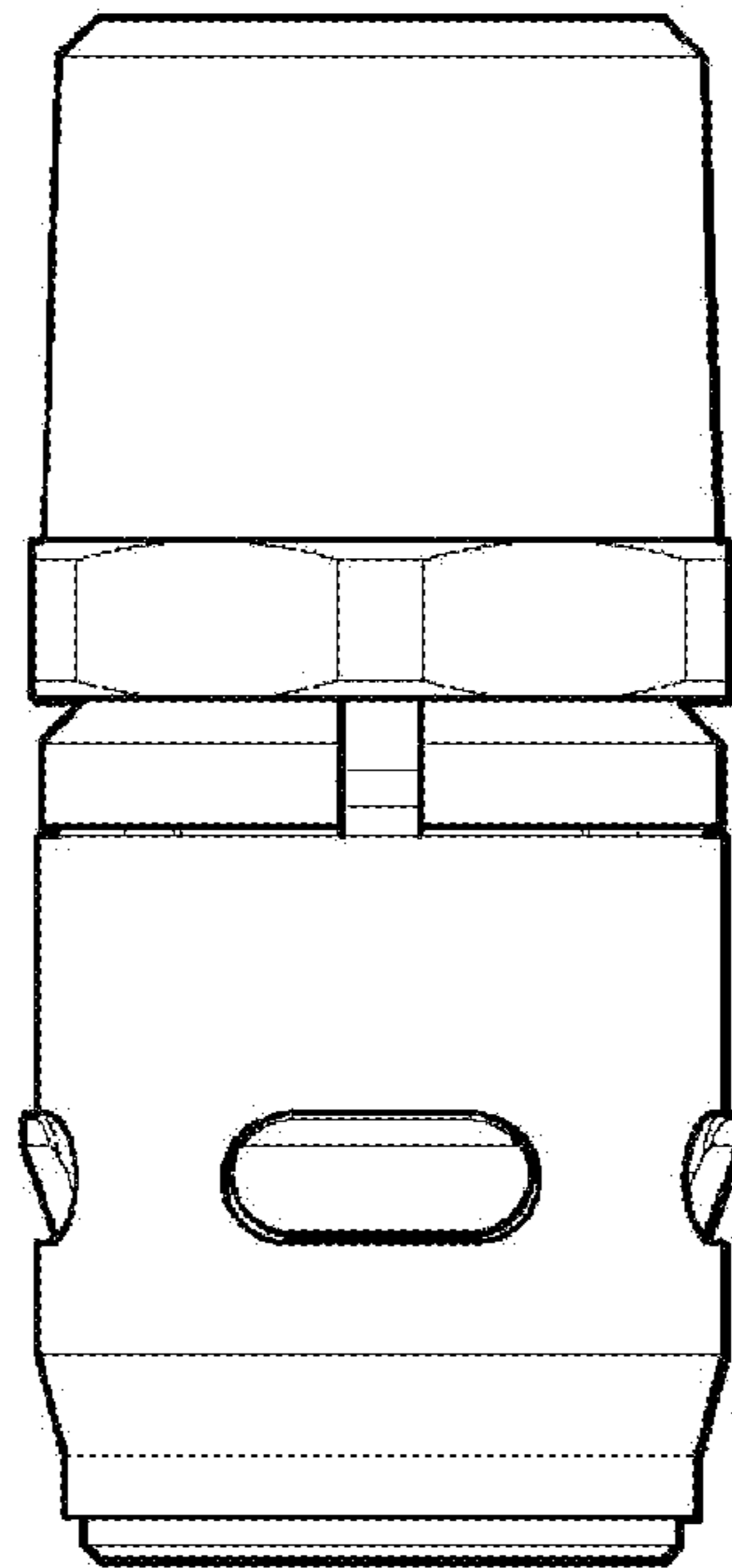


FIG. 4

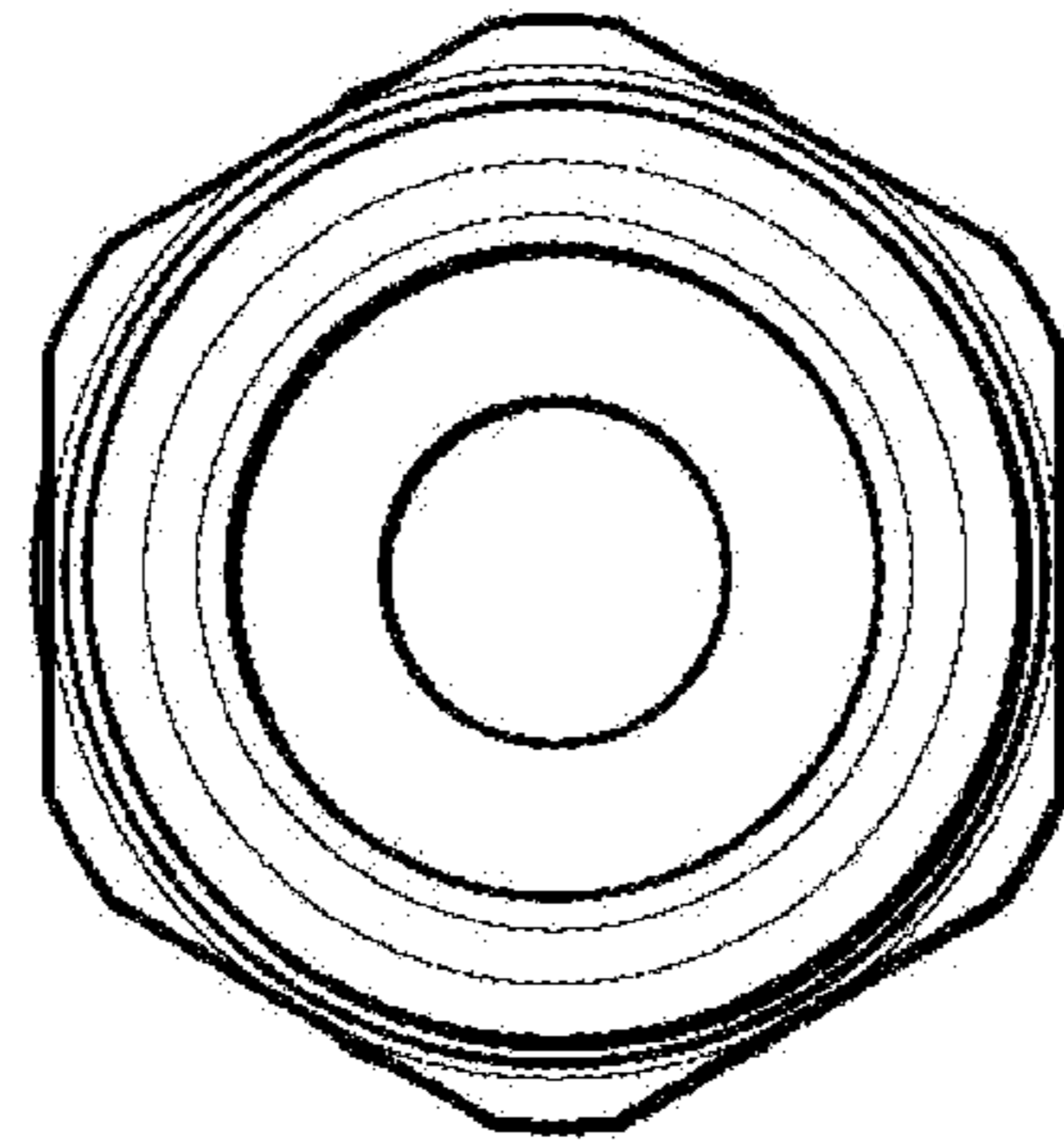


FIG. 5

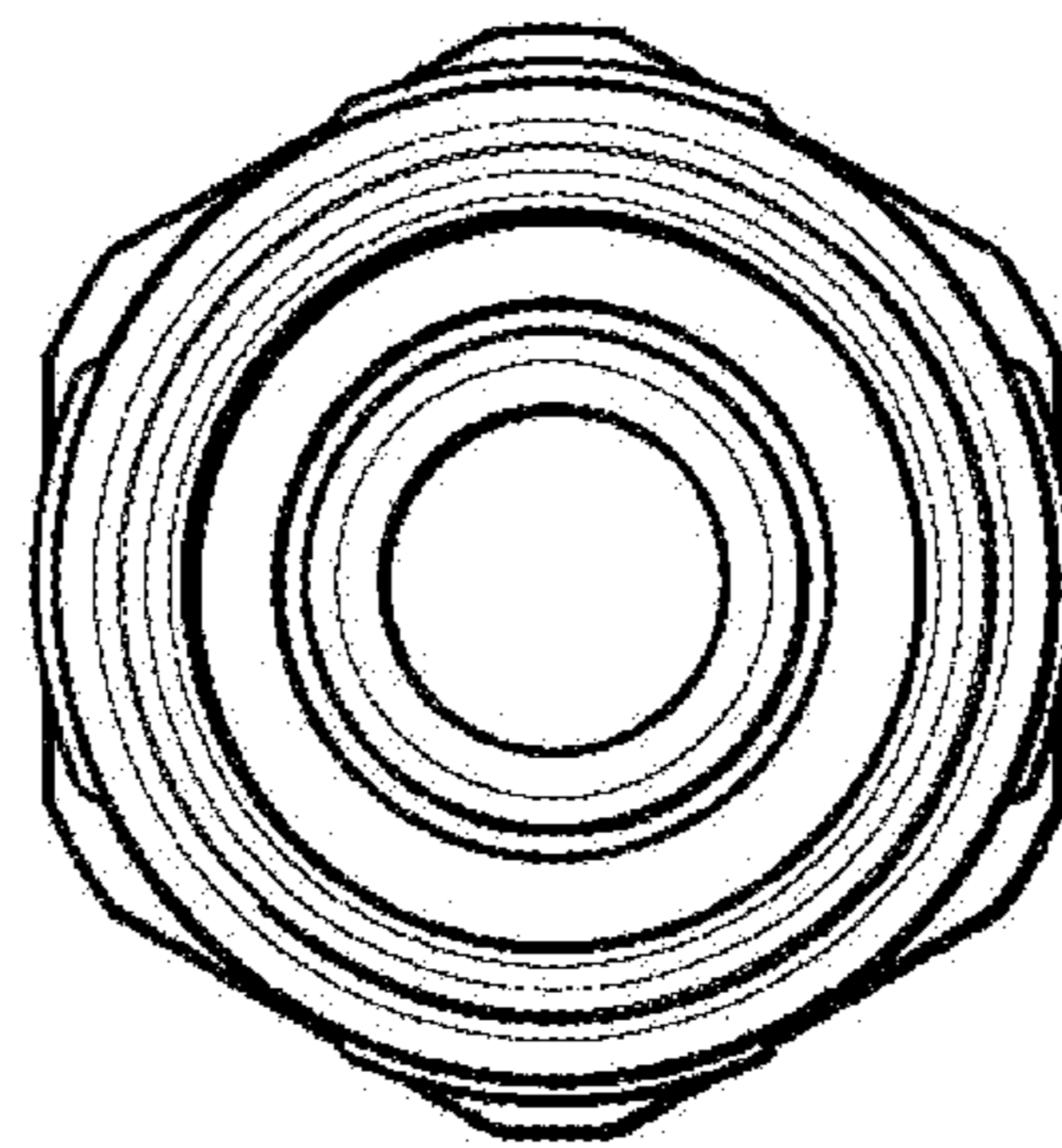


FIG. 6

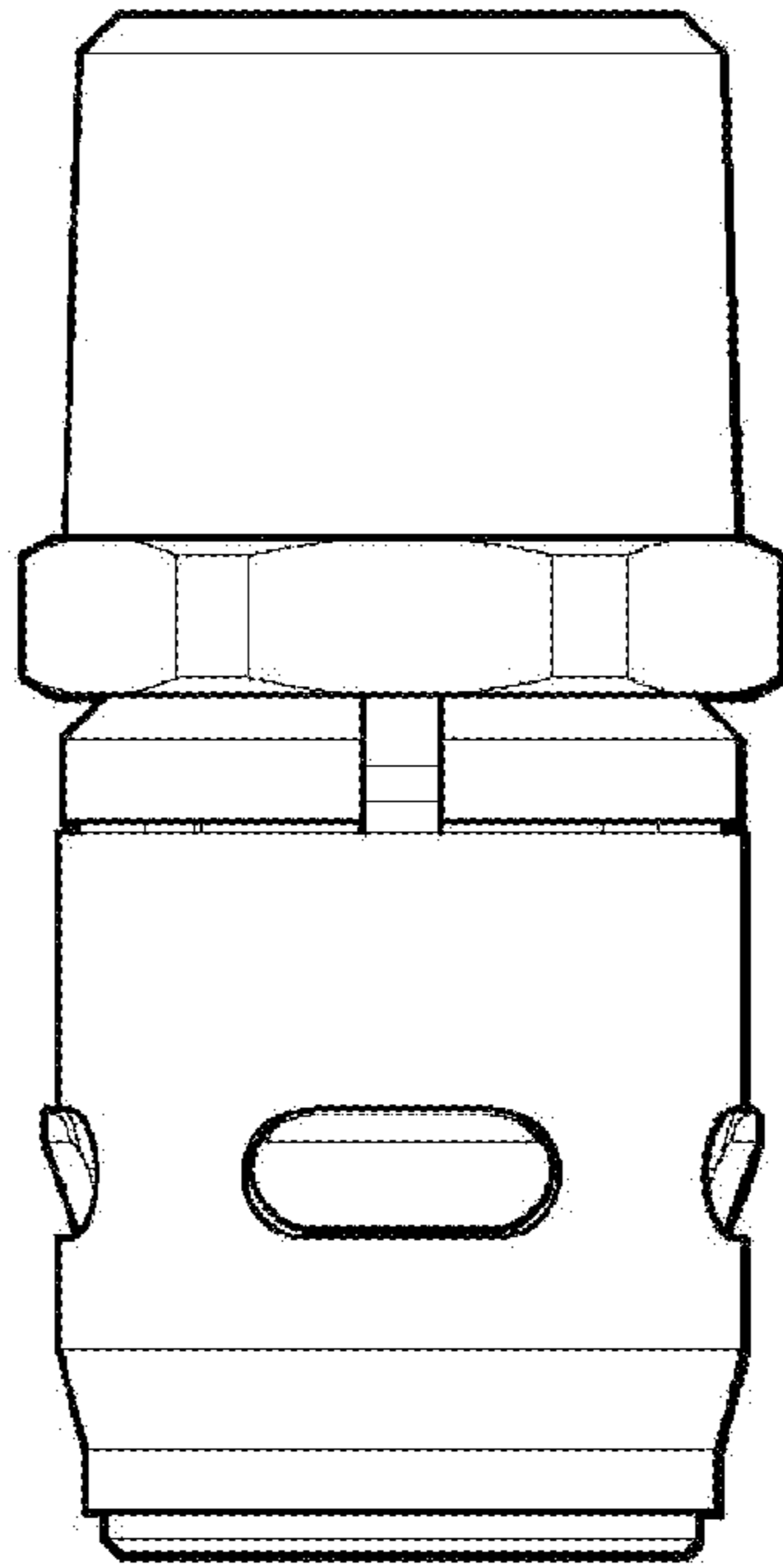


FIG. 7

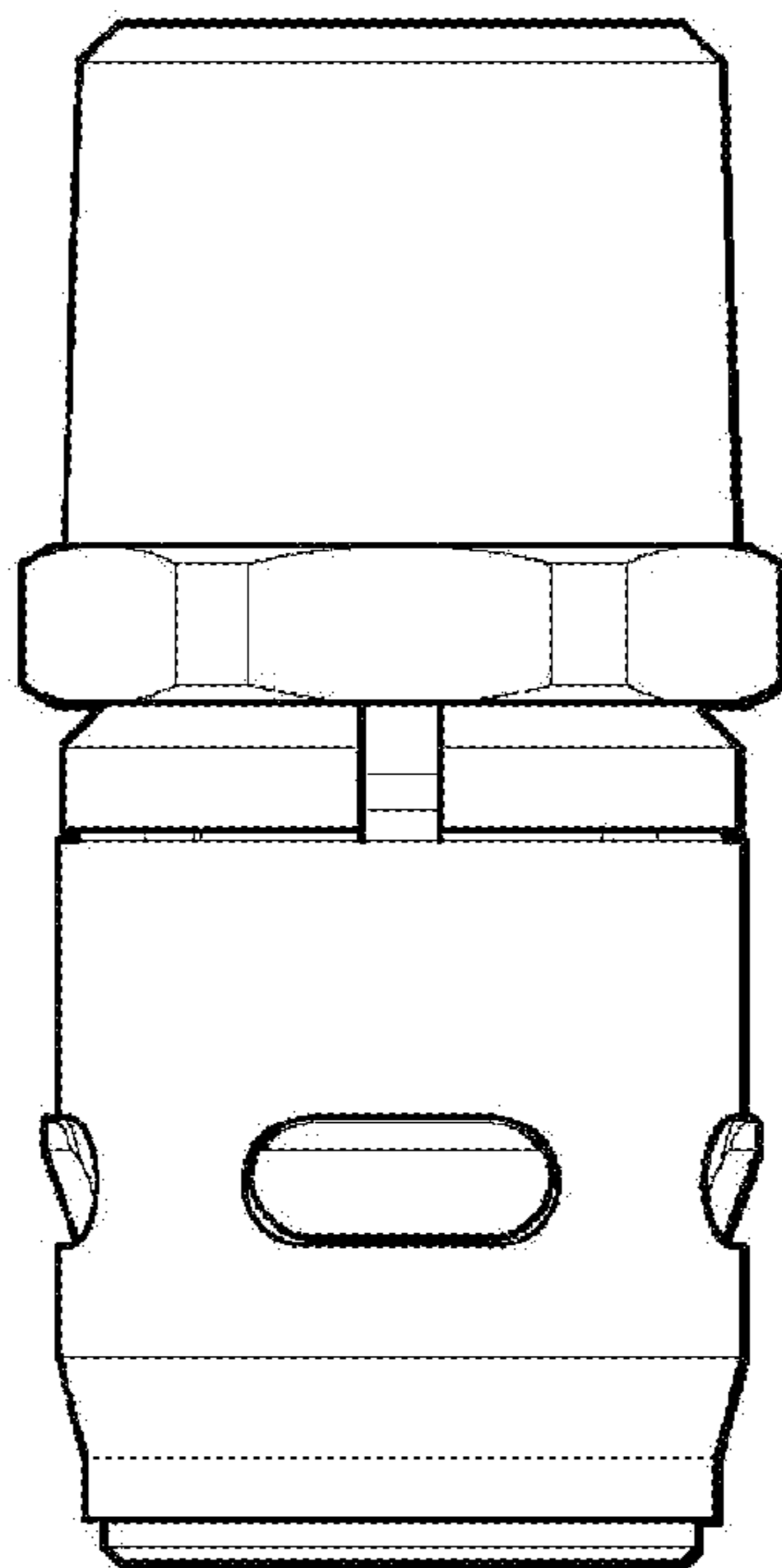


FIG. 8