



US00D751671S

(12) **United States Design Patent**  
**Farkas et al.**

(10) **Patent No.:** **US D751,671 S**  
(45) **Date of Patent:** **\*\* Mar. 15, 2016**

(54) **SCREEN ASSEMBLY**

(56) **References Cited**

- (71) Applicant: **Watts Water Technologies, Inc.**, North Andover, MA (US)
- (72) Inventors: **Andrew Farkas**, Bow, NH (US); **Jeffrey A. Scilingo**, Londonderry, NH (US); **Joseph M. Burke**, North Andover, MA (US)
- (73) Assignee: **Watts Water Technologies, Inc.**, North Andover, MA (US)
- (\*\*) Term: **15 Years**
- (21) Appl. No.: **29/530,053**
- (22) Filed: **Jun. 12, 2015**

U.S. PATENT DOCUMENTS

D118,642	S	*	1/1940	McDonnell et al.	.....	D32/35
D706,395	S	*	6/2014	Opfer	.....	D23/233
D706,396	S	*	6/2014	Opfer	.....	D23/233
D720,430	S	*	12/2014	Yoshida	.....	D23/233
D721,789	S	*	1/2015	Lu	.....	D23/237
2005/0069077	A1	*	3/2005	Offer	.....	B23K 31/02 376/294
2010/0092687	A1	*	4/2010	Sumida	.....	D01D 5/0061 427/472
2011/0315240	A1	*	12/2011	Muller	.....	F16K 24/04 137/409
2012/0319018	A1	*	12/2012	Hoppe	.....	F01L 1/344 251/129.01
2013/0199634	A1	*	8/2013	Hoppe	.....	F16K 17/00 137/513.7
2014/0339454	A1	*	11/2014	Doran	.....	F16K 47/08 251/366

\* cited by examiner

**Related U.S. Application Data**

- (63) Continuation of application No. 29/482,527, filed on Feb. 19, 2014, now abandoned.
- (51) **LOC (10) Cl.** ..... **23-01**
- (52) **U.S. Cl.**  
USPC ..... **D23/249**
- (58) **Field of Classification Search**  
USPC ..... D23/233–237, 244–249; 137/15.04, 137/15.08, 515, 7, 859, 843, 533.17, 540, 137/116.5, 488, 505.37, 505.42, 508; 251/357  
CPC ..... F16K 15/00; F16K 15/18; F16K 15/026; F16K 15/044

See application file for complete search history.

*Primary Examiner* — Cynthia Ramirez

(74) *Attorney, Agent, or Firm* — Adler Pollock & Sheehan P.C.; George N. Chaclas, Esq.; Daniel J. Holmender, Esq.

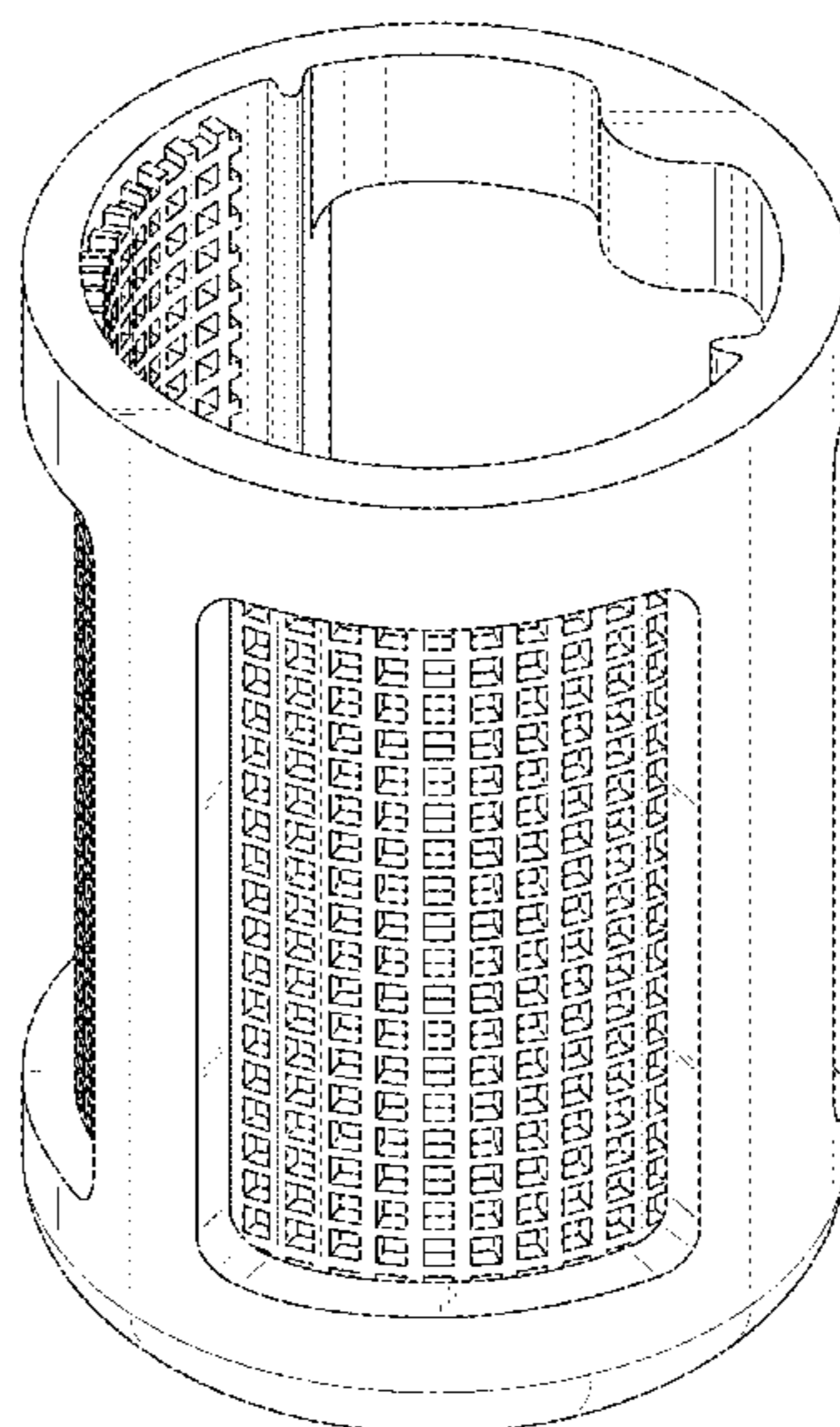
(57) **CLAIM**

The ornamental design for a screen assembly, as shown and described.

**DESCRIPTION**

FIG. 1 is a top perspective view of a screen assembly according to my new design;  
FIG. 2 is a front view thereof;  
FIG. 3 is a rear view thereof;  
FIG. 4 is a right side view thereof;  
FIG. 5 is a left side view thereof;  
FIG. 6 is a top view thereof; and,  
FIG. 7 is a bottom view thereof.

**1 Claim, 7 Drawing Sheets**



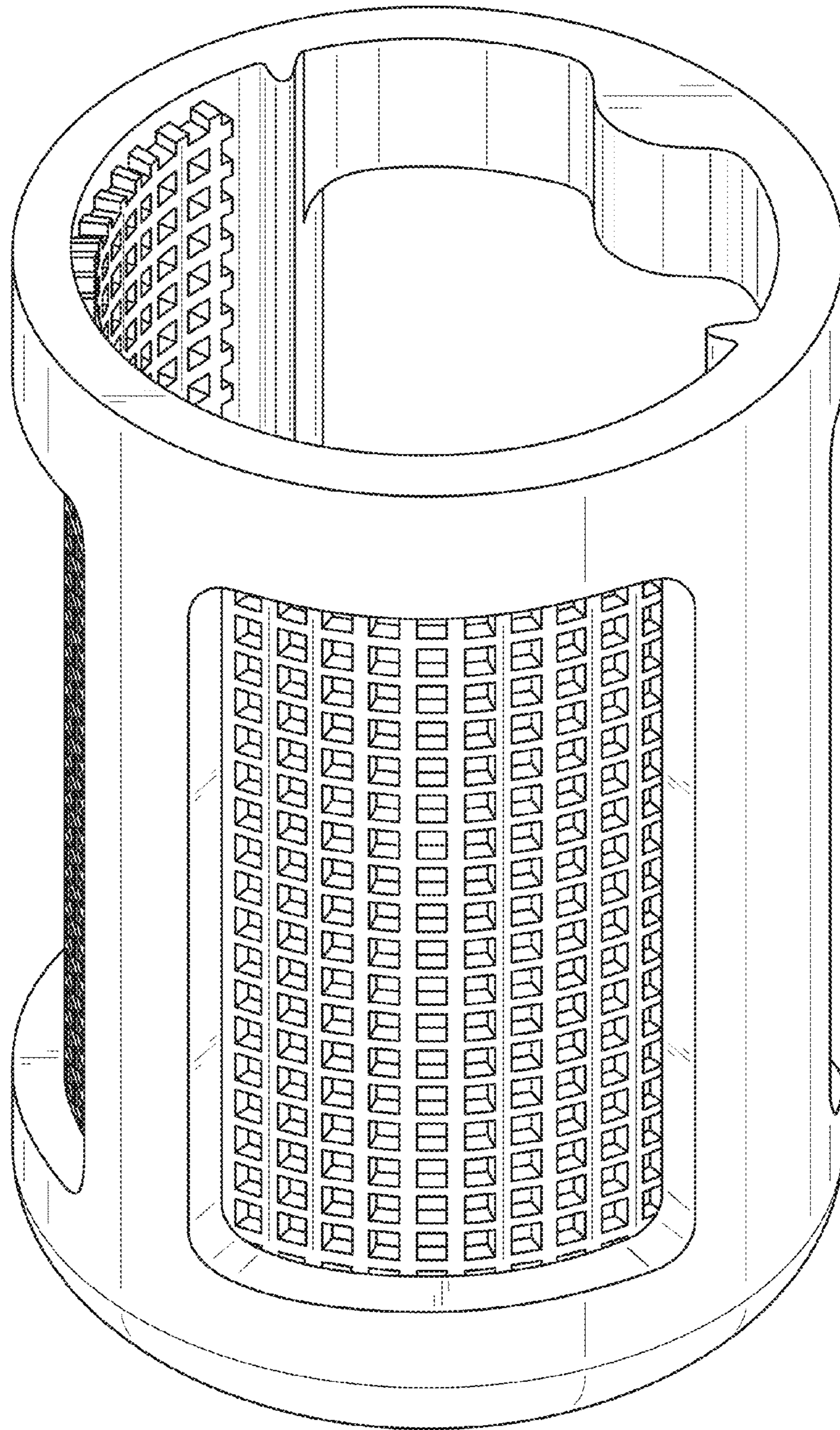


FIG. 1



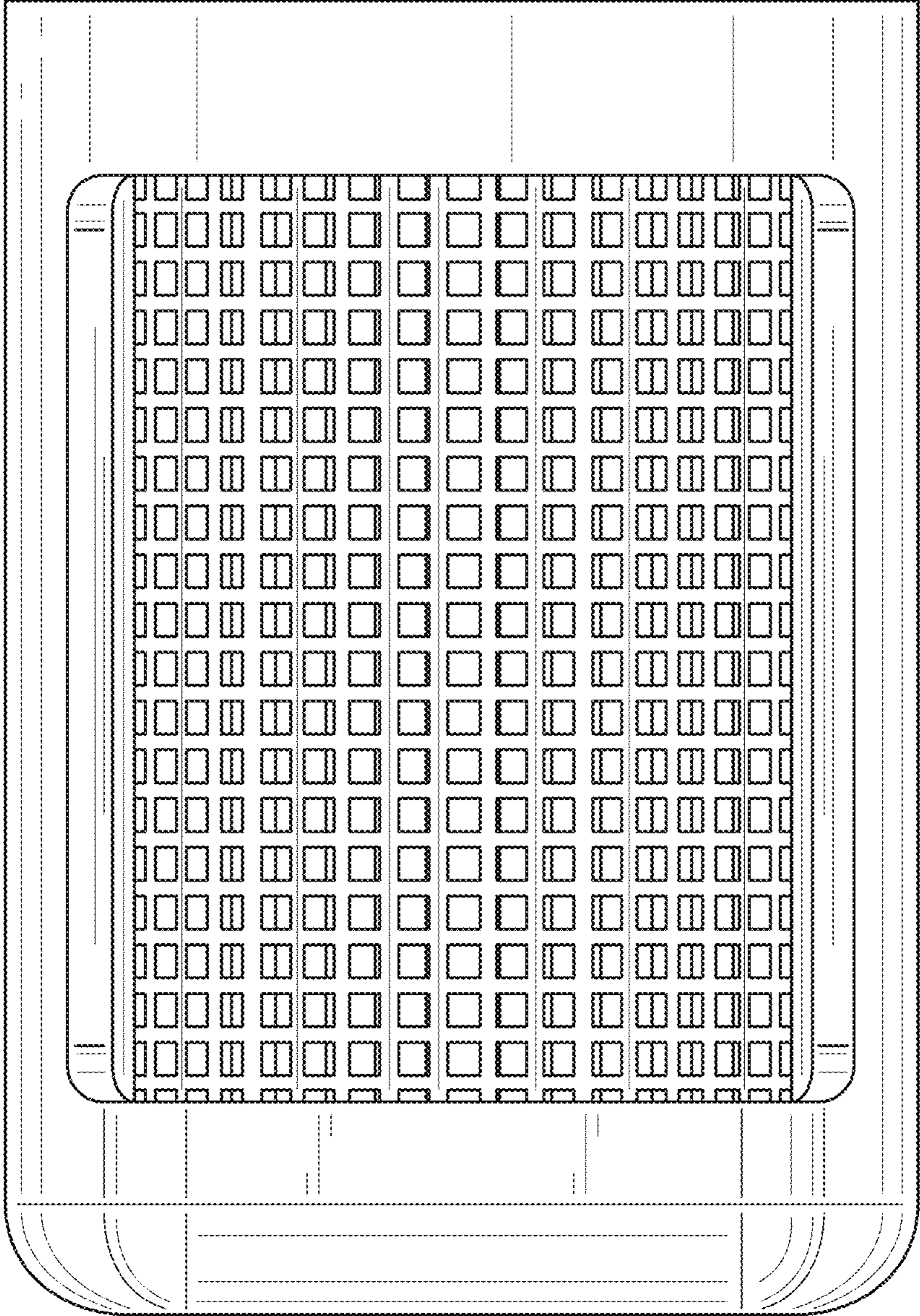


FIG. 2

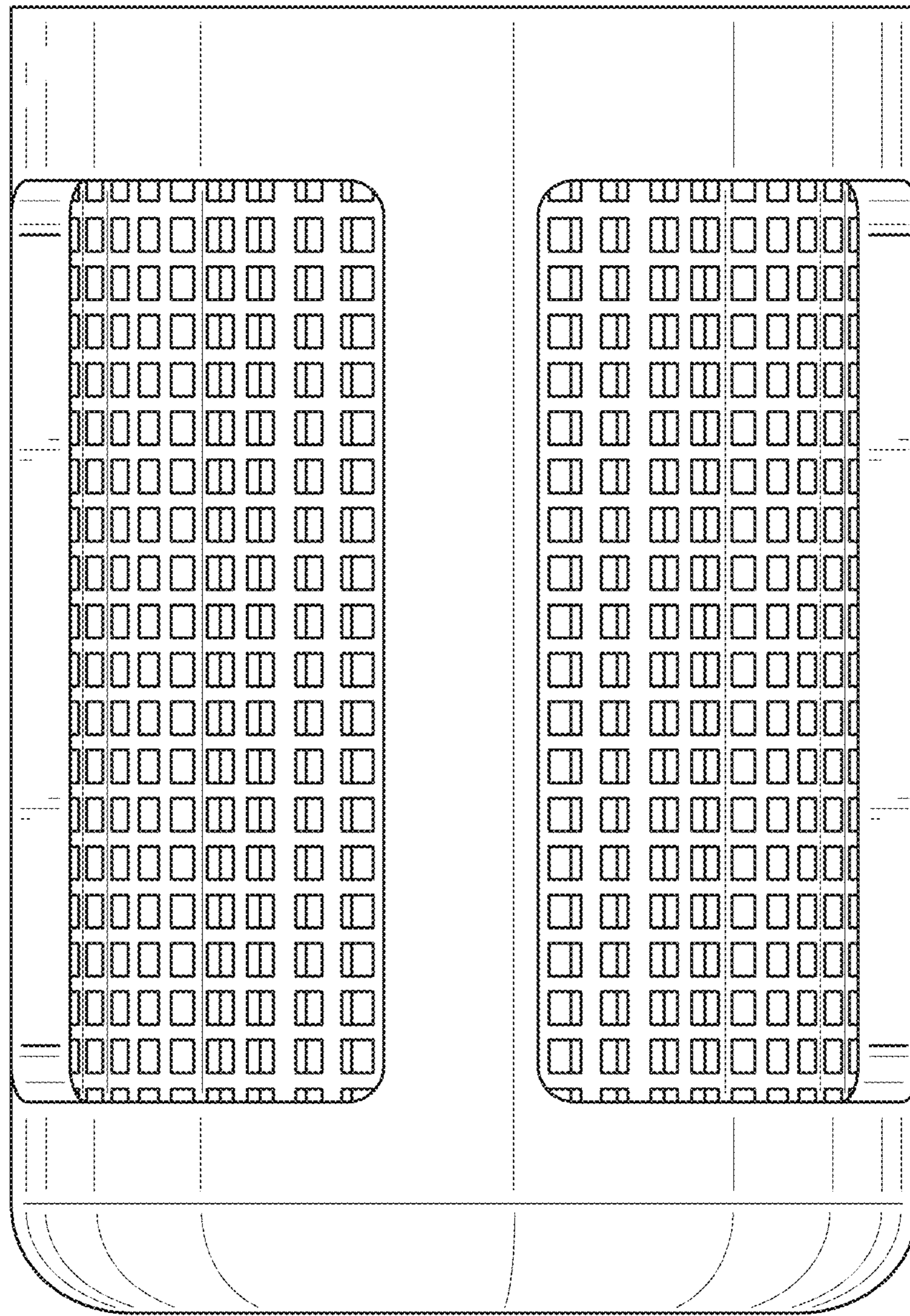


FIG. 3

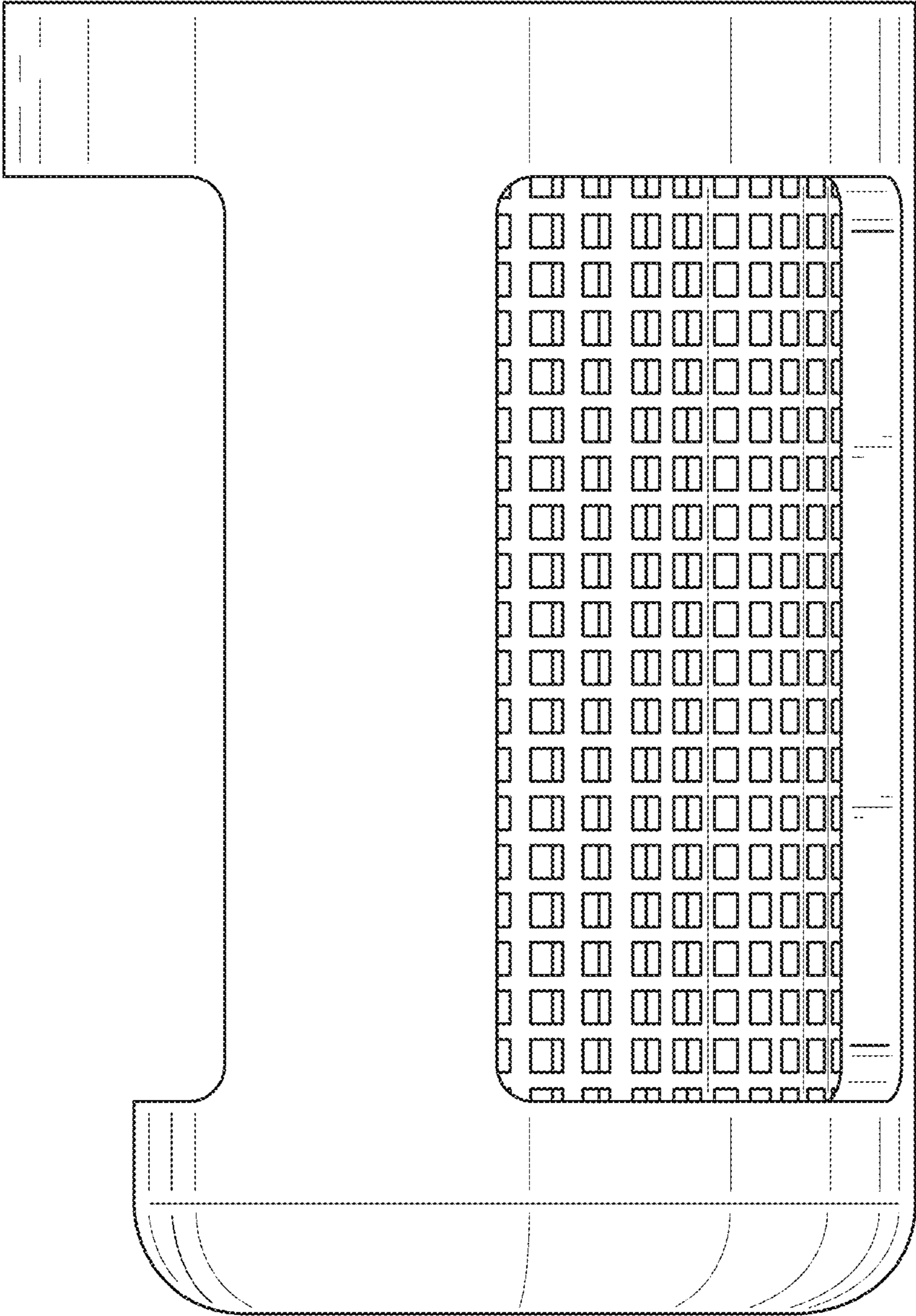


FIG. 4



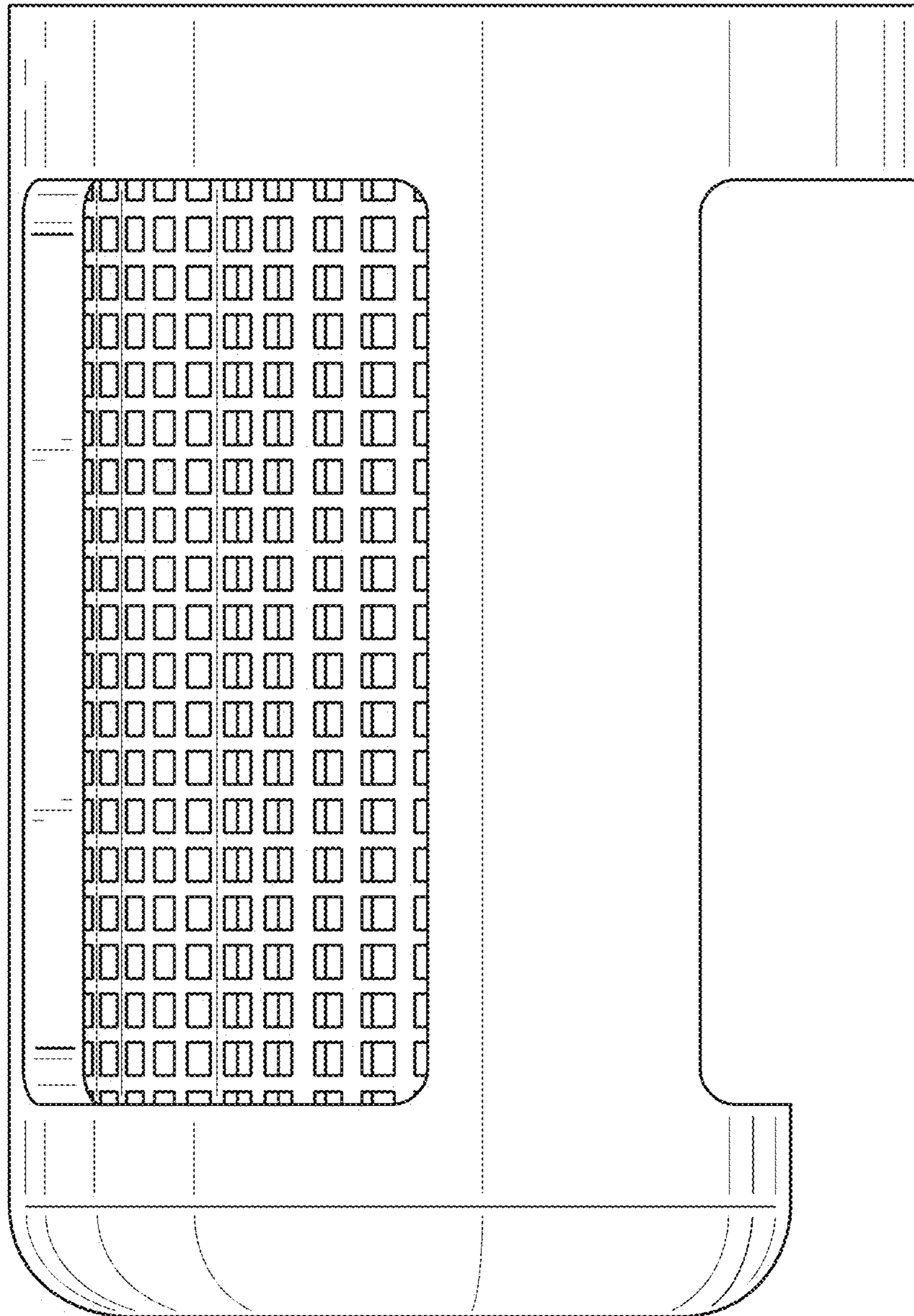


FIG. 5

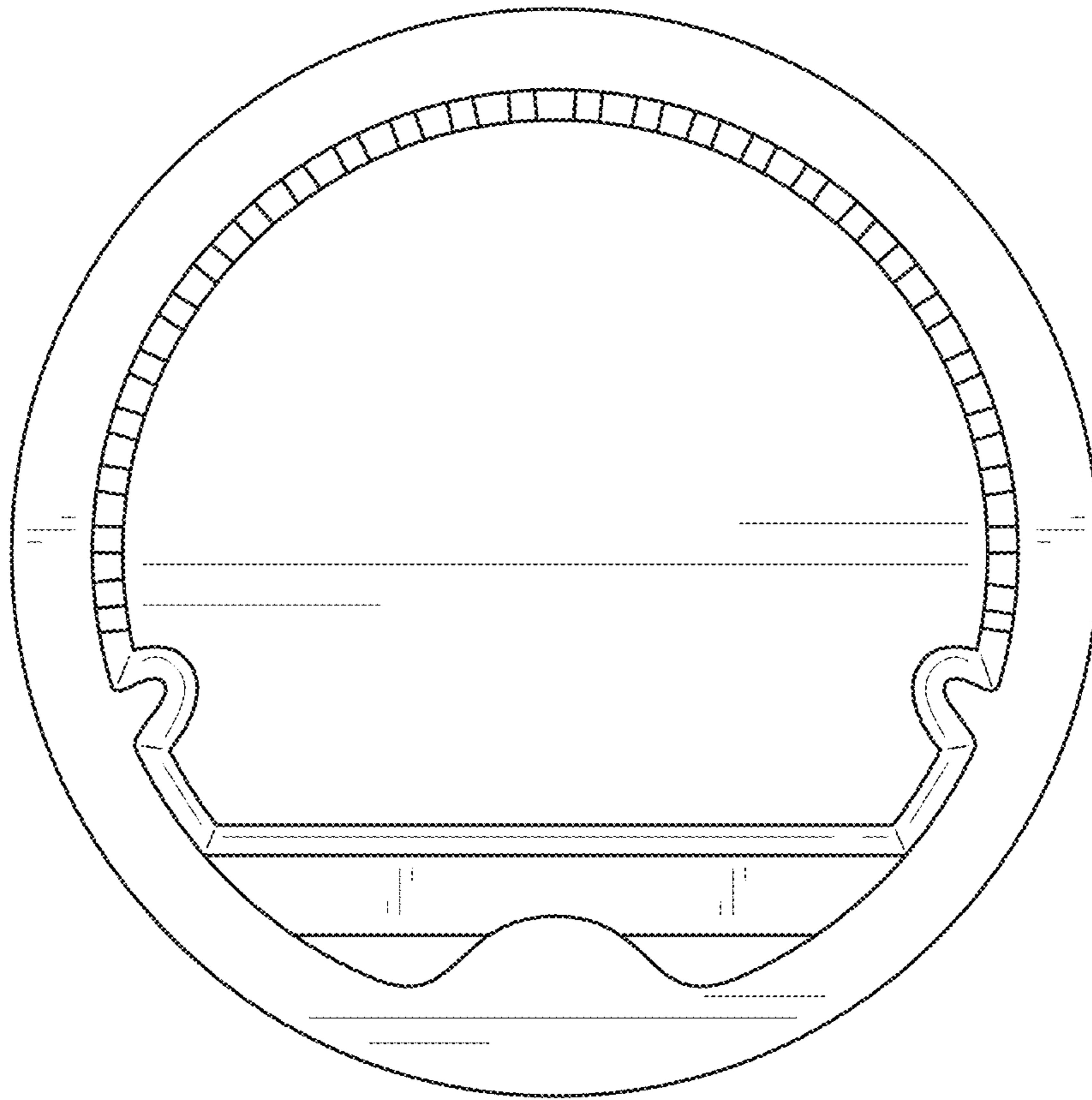


FIG. 6

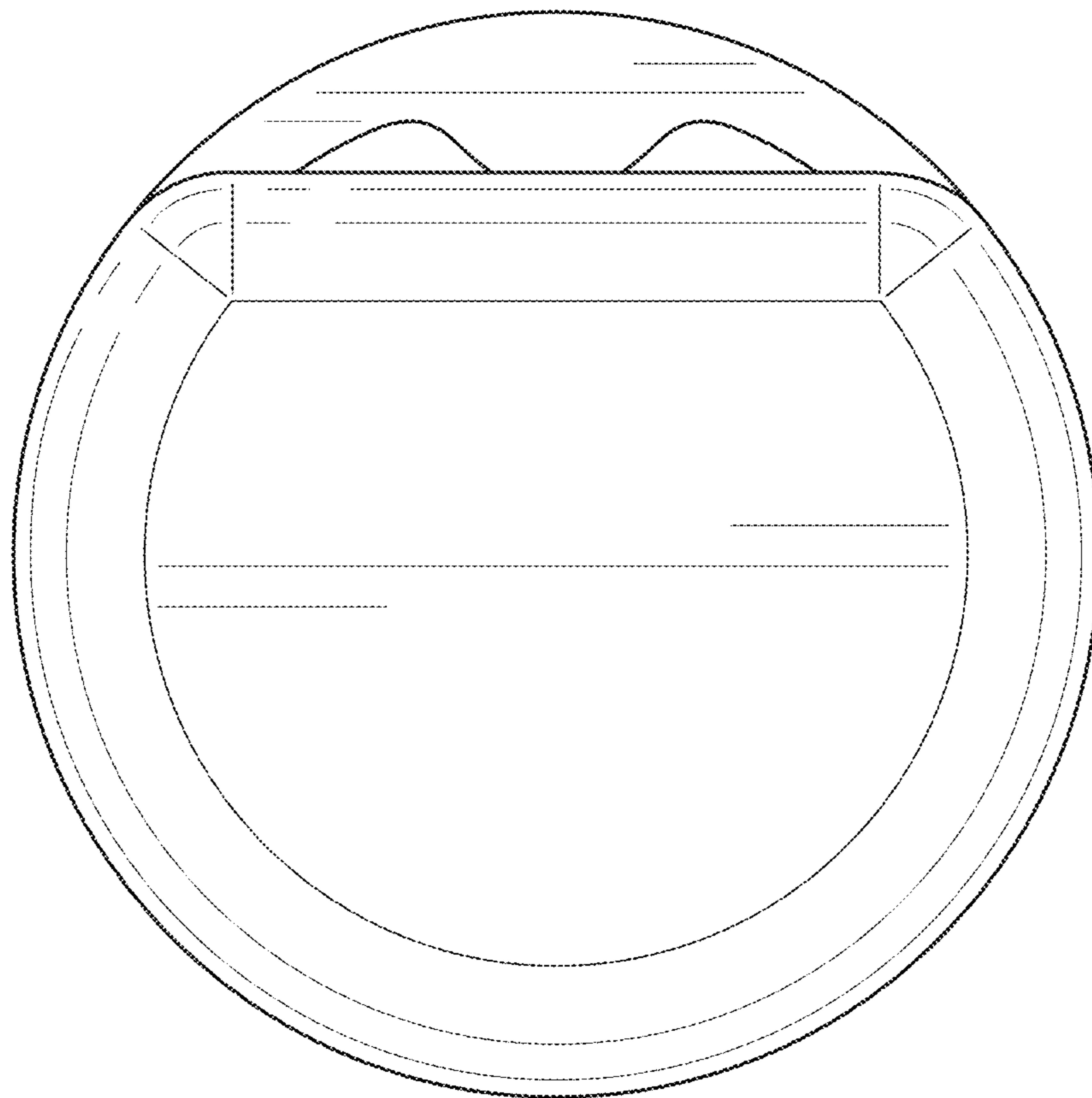


FIG. 7