



US00D751670S

(12) **United States Design Patent**
Loiti Urquia et al.

(10) **Patent No.:** **US D751,670 S**
(45) **Date of Patent:** **** Mar. 15, 2016**

(54) **SPRAYER**

(71) Applicant: **GOIZPER, S.COOP.**, Antzuola
(Gipuzkoa) (ES)
(72) Inventors: **Mikel Loiti Urquia**, Arrasate (ES);
Sergio Moreno Juan, Antzuola (ES)
(73) Assignee: **GOIZPER, S.COOP.**, Antzuola
(Gipuzkoa) (ES)

(**) Term: **14 Years**

(21) Appl. No.: **29/509,258**

(22) Filed: **Nov. 14, 2014**

(30) **Foreign Application Priority Data**

May 15, 2014 (EM) 002465047-0001

(51) **LOC (10) Cl.** **23-01**

(52) **U.S. Cl.**
USPC **D23/225**

(58) **Field of Classification Search**
USPC D23/213, 225; 239/308, 152-154
CPC B05B 9/08; B05B 7/2408; B05B 7/2405;
B05B 7/241; B05B 7/2421

See application file for complete search history.

(56) **References Cited**

U.S. PATENT DOCUMENTS

2,951,644	A *	9/1960	Mahon	A61M 11/06 222/162
D311,571	S *	10/1990	Ballu	D23/225
D516,168	S *	2/2006	Leer	D23/225
D643,092	S *	8/2011	Bandawat	D23/202
D649,624	S *	11/2011	Hudson	D23/225
D650,046	S *	12/2011	Goodwin	D23/225
D713,499	S *	9/2014	Voelker	D23/225

* cited by examiner

Primary Examiner — Robin V Webster

(74) *Attorney, Agent, or Firm* — Knobbe Martens Olson & Bear LLP

(57) **CLAIM**

The ornamental design for a sprayer, as shown and described.

DESCRIPTION

FIG. 1 is a top perspective view of a sprayer, showing our new design.

FIG. 2 is a front elevational view thereof.

FIG. 3 is a right side elevational view thereof.

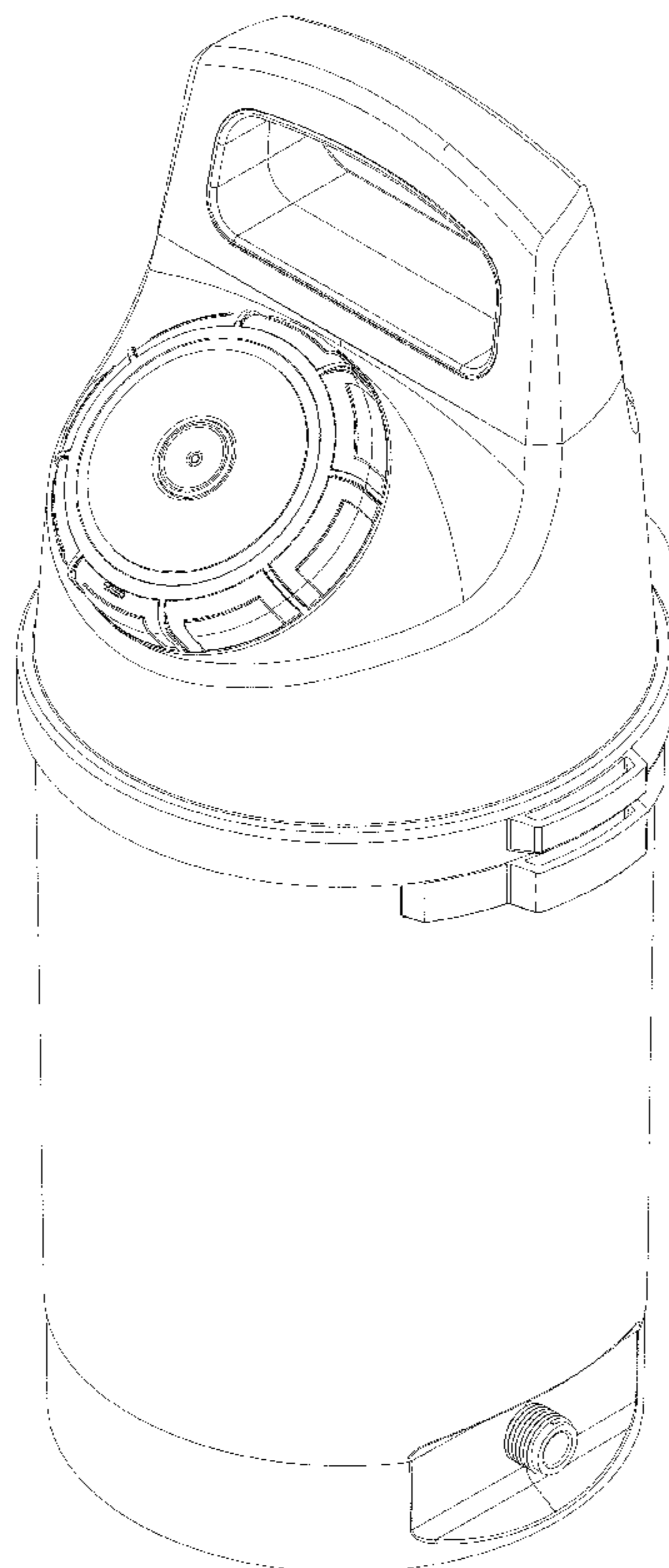
FIG. 4 is a left side elevational view thereof.

FIG. 5 is a rear elevational view thereof.

FIG. 6 is a top plan view thereof; and,

FIG. 7 is a bottom plan view thereof.

1 Claim, 7 Drawing Sheets



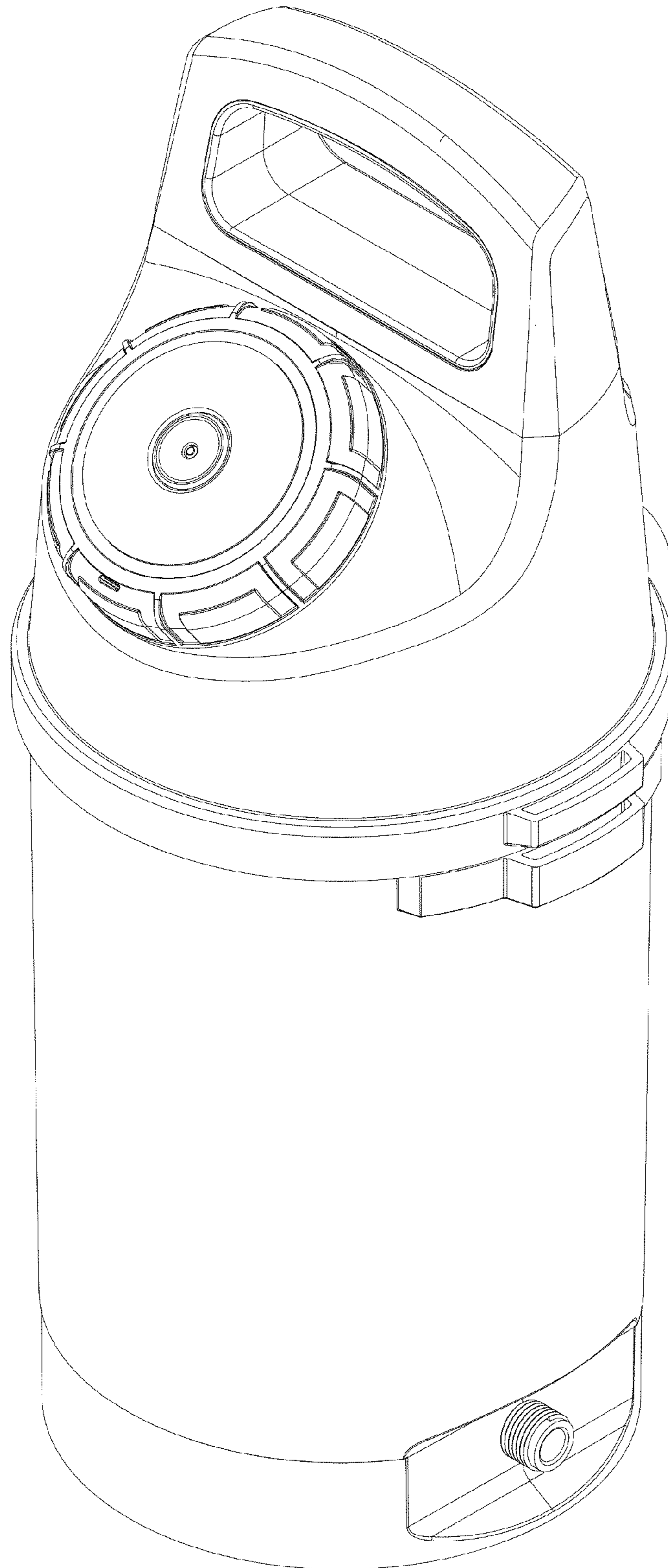


FIG. 1

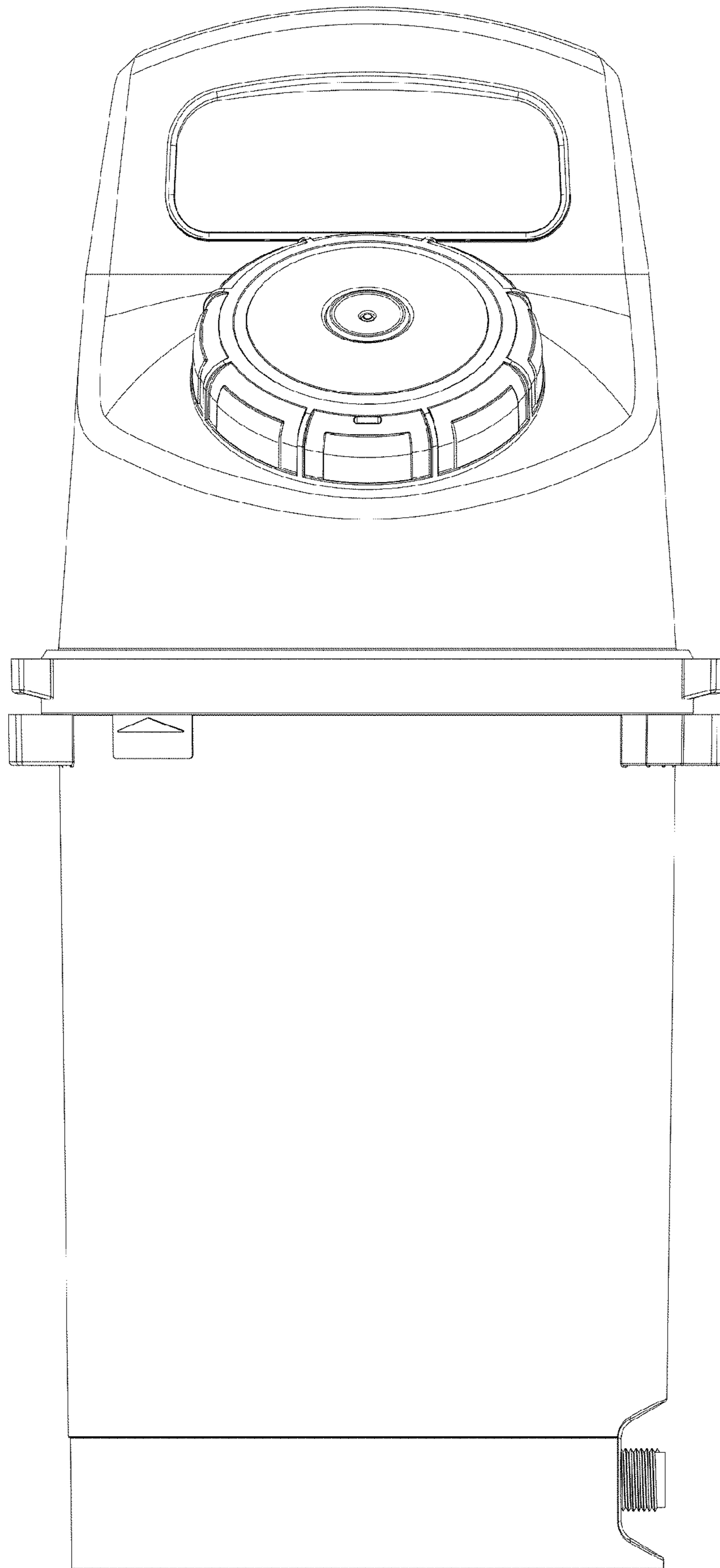


FIG. 2

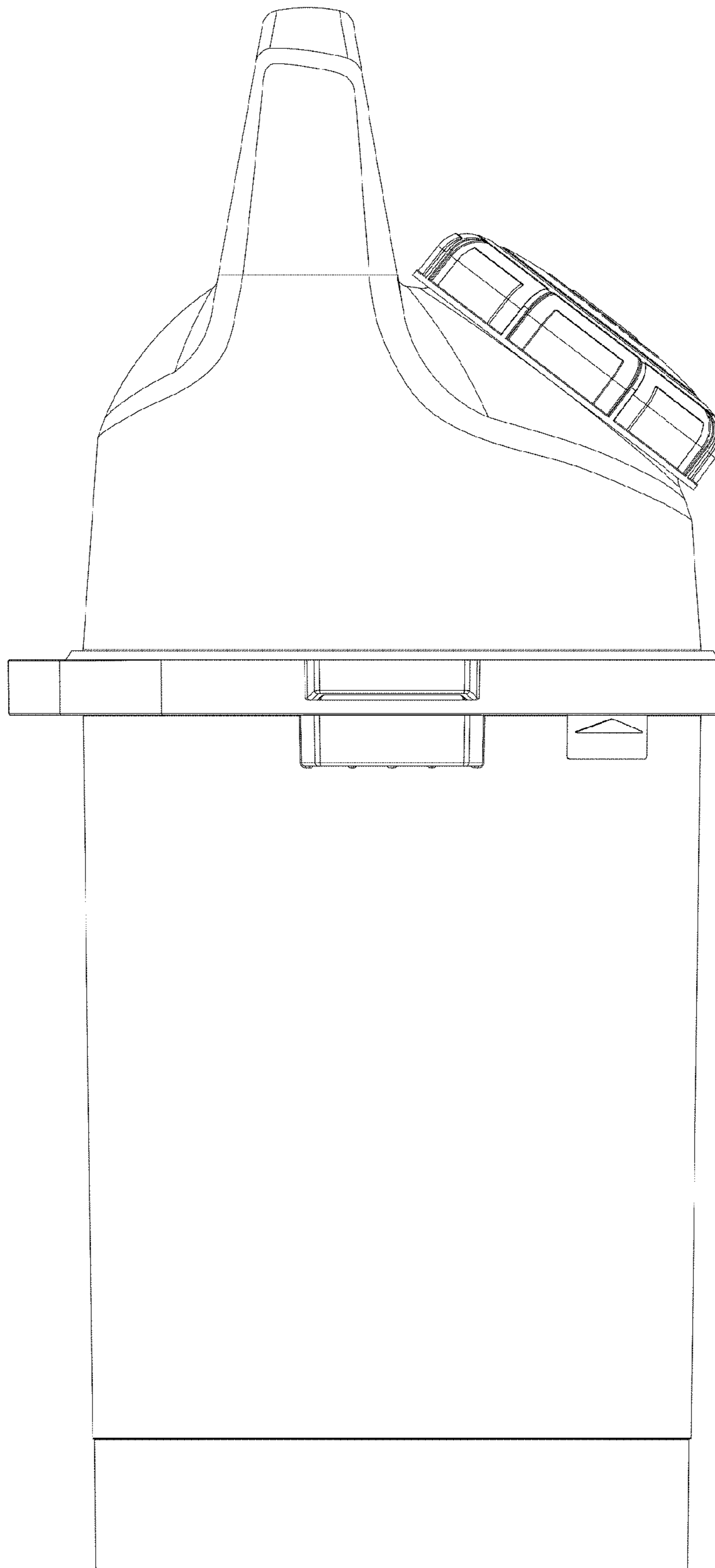


FIG. 3

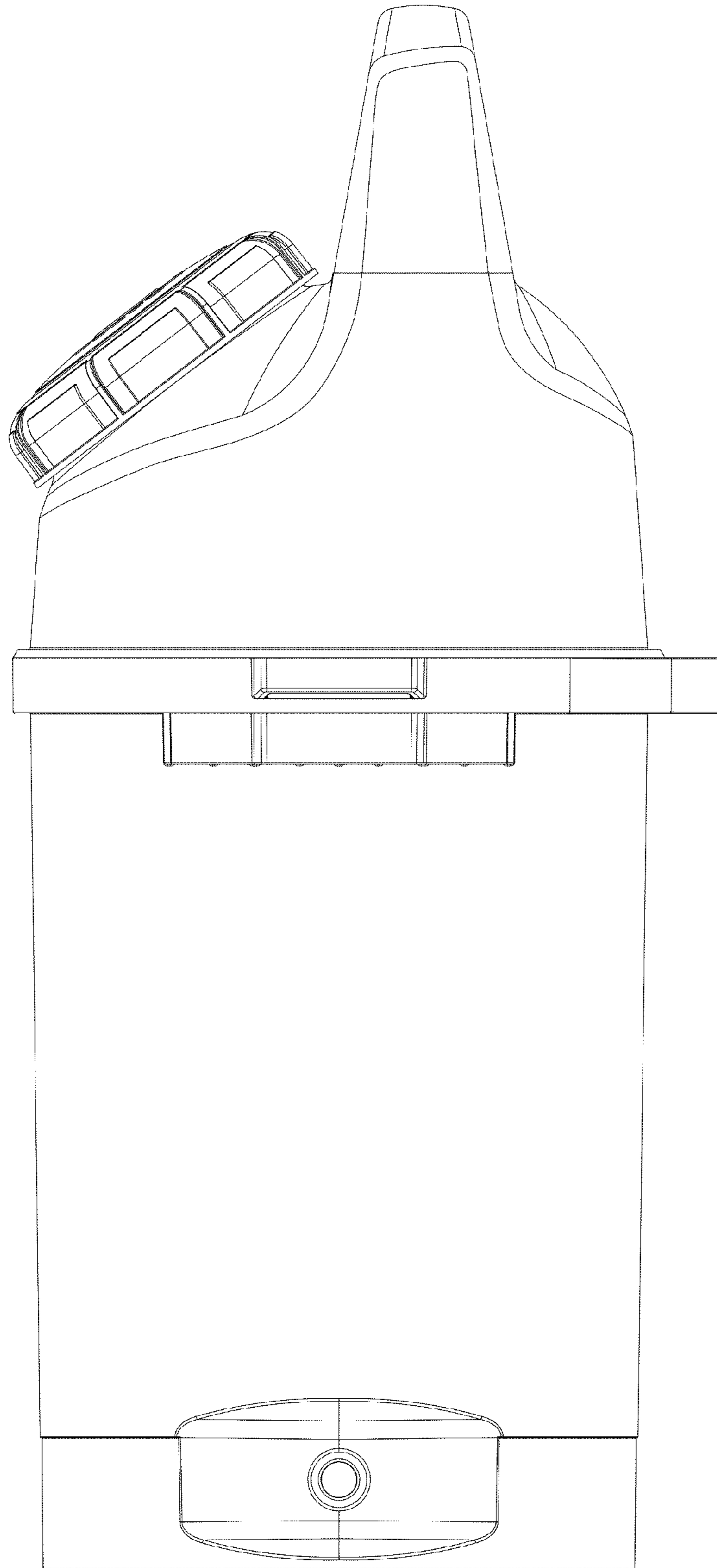


FIG. 4

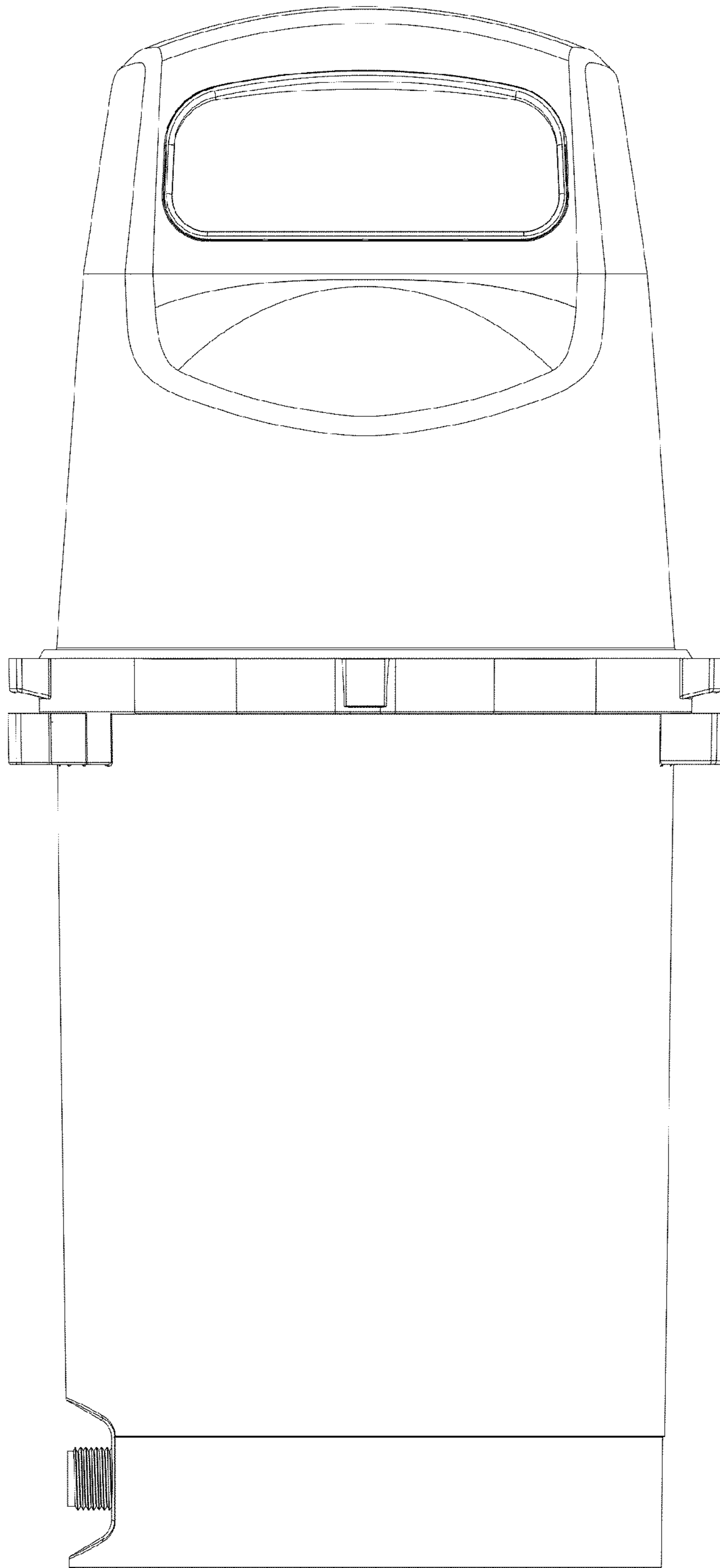


FIG. 5

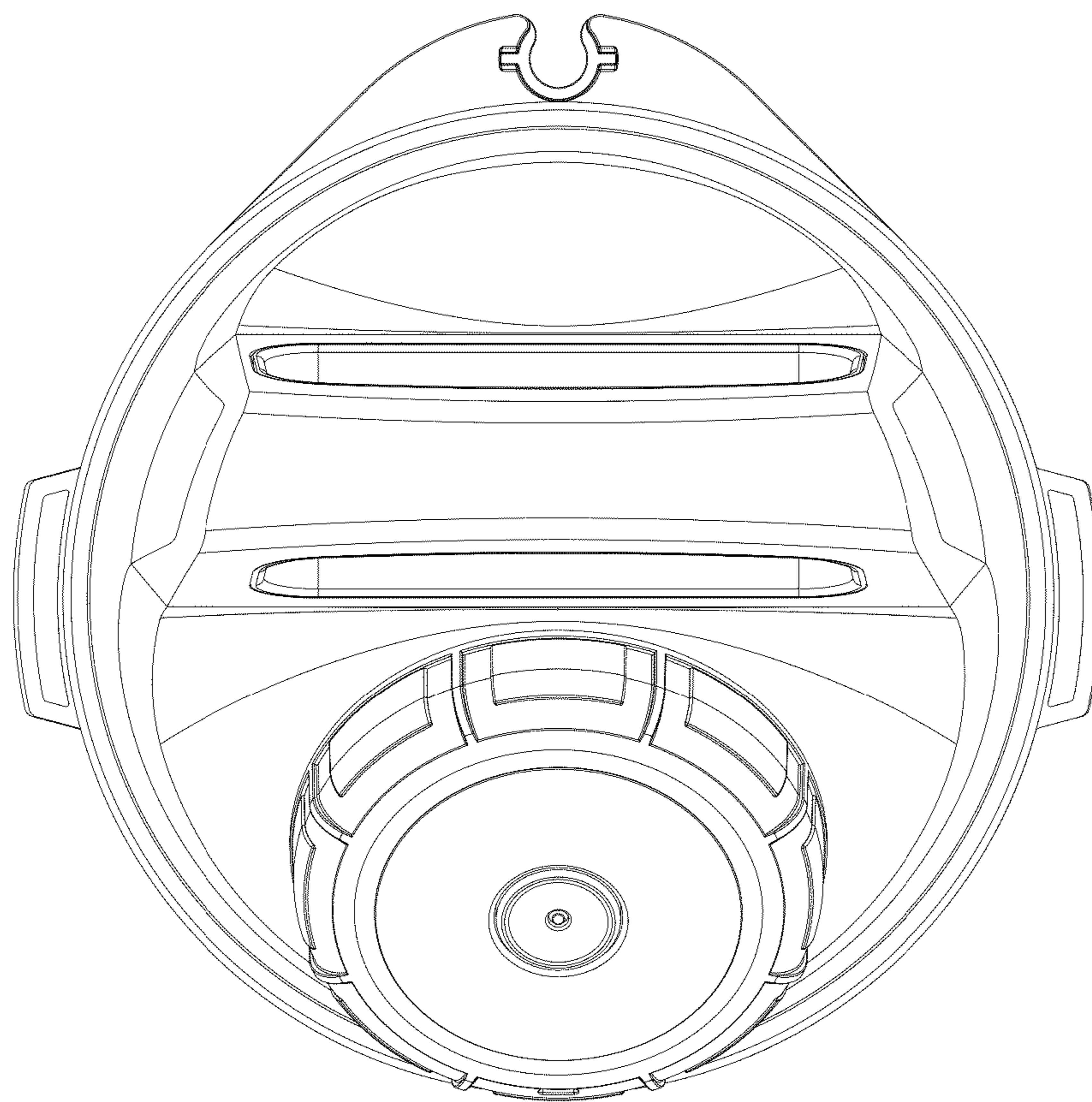


FIG. 6

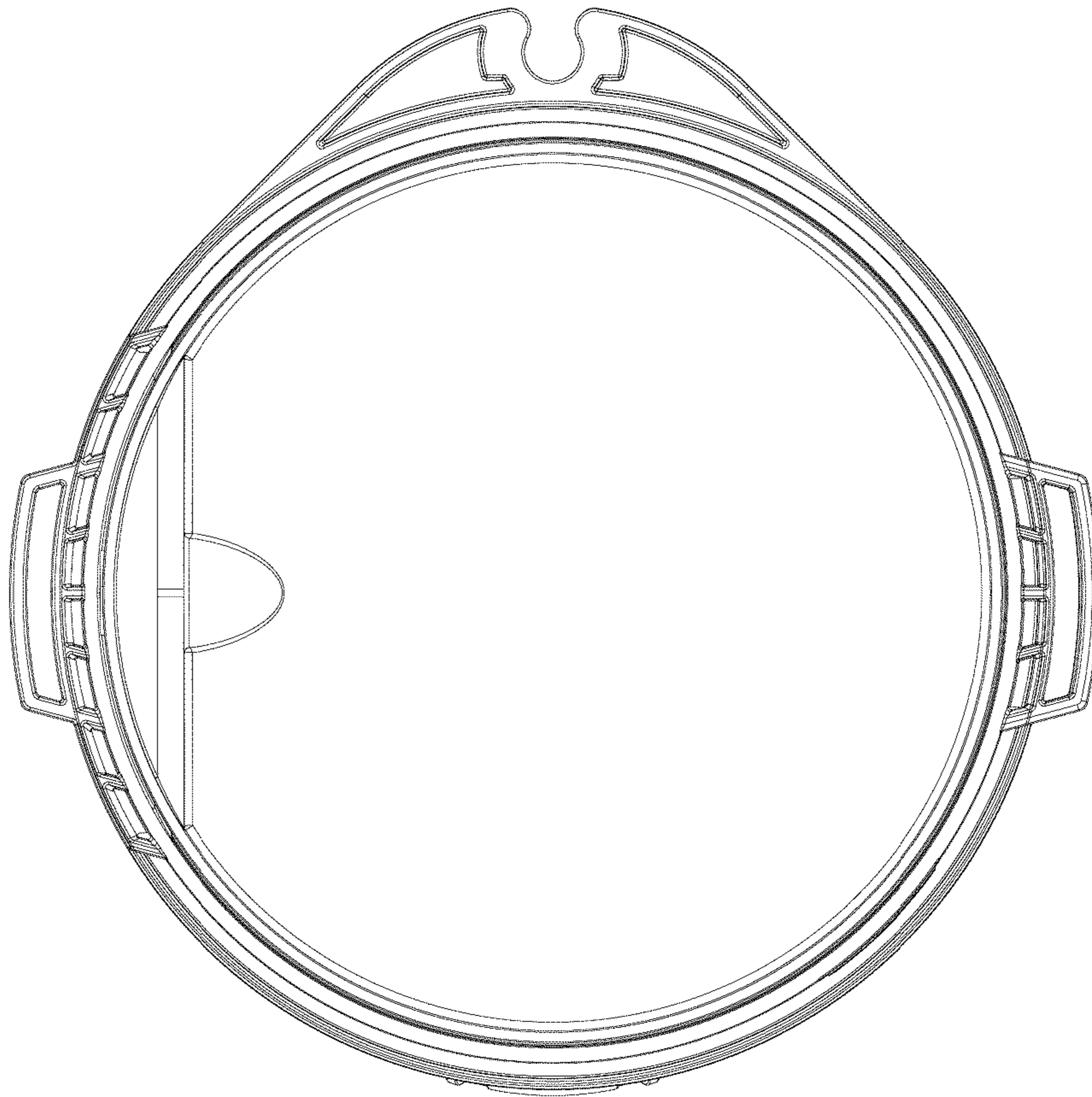


FIG .7